



US00D801119S

(12) **United States Design Patent** (10) **Patent No.:** **US D801,119 S**
Petre et al. (45) **Date of Patent:** **** Oct. 31, 2017**

(54) **PILSNER GLASS** 3,526,335 A * 9/1970 Swett A47G 19/2255
215/10
(71) Applicant: **Outdoor Recreation Company of** D234,112 S * 1/1975 Achenbach D7/528
America, LLC, Nashville, TN (US) 4,444,324 A 4/1984 Grenell
4,600,111 A 7/1986 Brown
(72) Inventors: **Stephen J. Petre, Maryville, TN (US);** 4,795,028 A 1/1989 Wittig et al.
Cassandra L. Chavez, Maryville, TN 4,984,723 A 1/1991 Hsu
(US) 5,090,213 A * 2/1992 Glassman A47G 19/2288
62/457.2

(Continued)

(73) Assignee: **Outdoor Recreation Company of**
America, LLC, Nashville, TN (US)

(**) Term: **15 Years**

(21) Appl. No.: **29/584,113**

(22) Filed: **Nov. 11, 2016**

(51) **LOC (10) Cl.** **07-01**

(52) **U.S. Cl.**
USPC **D7/523; D7/532**

(58) **Field of Classification Search**
USPC D7/507, 509, 510, 511, 523, 528, 529,
D7/533, 532, 534, 543, 524, 537;
220/592.16, 592.17, 495.03; D11/143,
D11/144; D30/121, 129, 132
CPC A47G 19/2227; A47G 19/2272; A47G
19/2205; A47G 19/22; A45F 3/16; B65D
47/066; A47J 43/27

See application file for complete search history.

(56) **References Cited**

U.S. PATENT DOCUMENTS

D99,508 S * 5/1936 Hutchison D7/523
D124,555 S * 1/1941 Platt D7/524
2,918,188 A * 12/1959 Todd A47G 19/2255
215/377
3,067,896 A 12/1962 Berg et al.
D204,994 S * 6/1966 Moomey D7/524
3,325,048 A * 6/1967 Edwards B65D 1/10
206/520
3,374,344 A * 3/1968 Rudolph A47G 19/2227
362/101

OTHER PUBLICATIONS

Drinkstuff, Red American Party Cup and Shot Glass, <http://www.drinkstuff.com/products/product.asp?ID=14251#>. WBN7KPkRjH, Accessed Oct. 28, 2016.

(Continued)

Primary Examiner — Marianne Pandozzi

Assistant Examiner — Jae Liang

(74) *Attorney, Agent, or Firm* — Luedeka Neely Group, P.C.

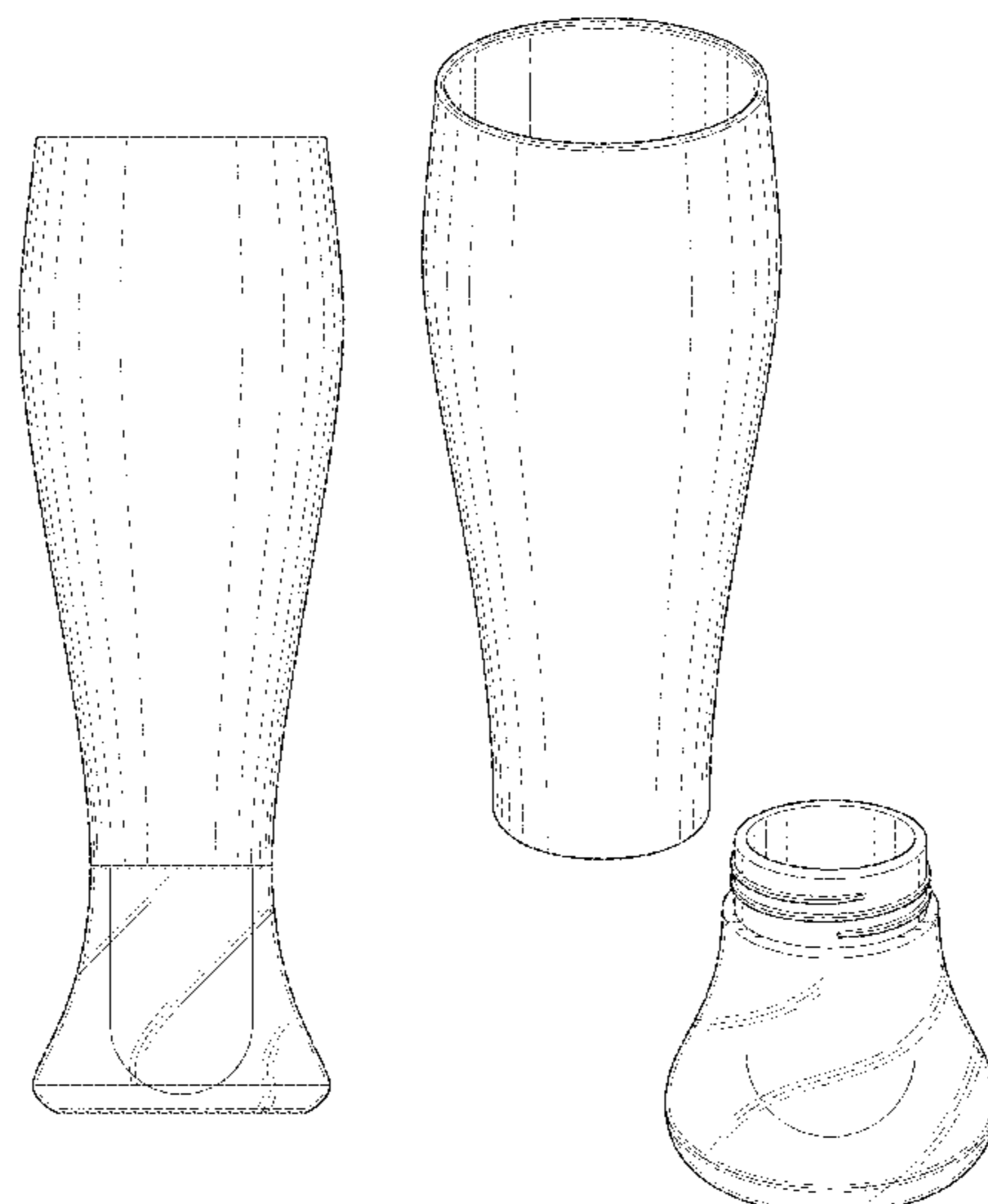
(57) **CLAIM**

The ornamental design for a pilsner glass, as shown and described.

DESCRIPTION

FIG. 1 is a perspective view of a pilsner glass showing our new design;
FIG. 2 is a front elevational view thereof;
FIG. 3 is a top plan view of the upper mug portion of the pilsner glass with the lower shot glass portion removed for ease of illustration;
FIG. 4 is a bottom plan view of FIG. 3;
FIG. 5 is a top plan view of the lower shot glass portion of the pilsner glass with the upper mug portion removed for ease of illustration;
FIG. 6 is a bottom plan view of FIG. 5; and,
FIG. 7 is an exploded perspective view of FIG. 1.

1 Claim, 5 Drawing Sheets



(56)

References Cited

U.S. PATENT DOCUMENTS

D358,080 S * 5/1995 Handler D7/507
 D383,037 S * 9/1997 Asberg D7/510
 D404,970 S * 2/1999 Asberg D7/511
 D454,757 S * 3/2002 Lack D7/509
 6,405,675 B1 6/2002 Mills
 D502,633 S * 3/2005 Liu D7/509
 D506,641 S * 6/2005 Liu D7/523
 D506,642 S * 6/2005 Dirstein D7/509
 D553,438 S * 10/2007 Boehm D7/523
 D560,098 S * 1/2008 Barducci D7/509
 D604,560 S * 11/2009 Priest D7/507
 D648,179 S * 11/2011 Myers D7/509
 8,061,197 B2 11/2011 Silvers
 D655,135 S * 3/2012 Myers D7/509
 D662,419 S * 6/2012 Potts D7/509
 D665,231 S * 8/2012 Pola D7/507
 8,387,816 B2 3/2013 Fallas
 D698,497 S * 1/2014 Smith D28/76
 D727,100 S * 4/2015 DelMuro D7/509
 D727,171 S * 4/2015 Marina D7/300.1
 D744,783 S * 12/2015 McClellan D7/507
 D757,498 S * 5/2016 Beller D7/524

D765,341 S * 9/2016 Pordy D1/105
 D788,636 S * 6/2017 Paternostre D11/143
 2002/0153344 A1 10/2002 Pola et al.
 2004/0007573 A1 1/2004 Kang
 2007/0221602 A1 9/2007 Dib
 2010/0229643 A1 9/2010 Lee
 2011/0011823 A1 1/2011 Moore
 2013/0213960 A1 8/2013 Cook
 2015/0216343 A1* 8/2015 Price C03C 27/10
 220/592.17

OTHER PUBLICATIONS

The Green Head, Happy Hour Glass, <http://www.thegreenhead.com/2014/07/happy-hour-glass-dual-shot-beer-glass.php>, Accessed Oct. 28, 2016.
 InkHead, Fusion 17 oz. Pilsner Glass, <https://www.inkhead.com/fusion-17oz-pilsner-glass/37240>, Accessed Oct. 28, 2016.
 Foodiggity, The Doublet, <http://www.foodiggity.com/the-doublet-a-double-sided-wine-glass-for-reds-and-whites>, Accessed Oct. 28, 2016.
 Ebay, Portable Water Cup Bottle with Removable Stainless Steel Bottom, <http://www.ebay.com>, Accessed Oct. 28, 2016.

* cited by examiner

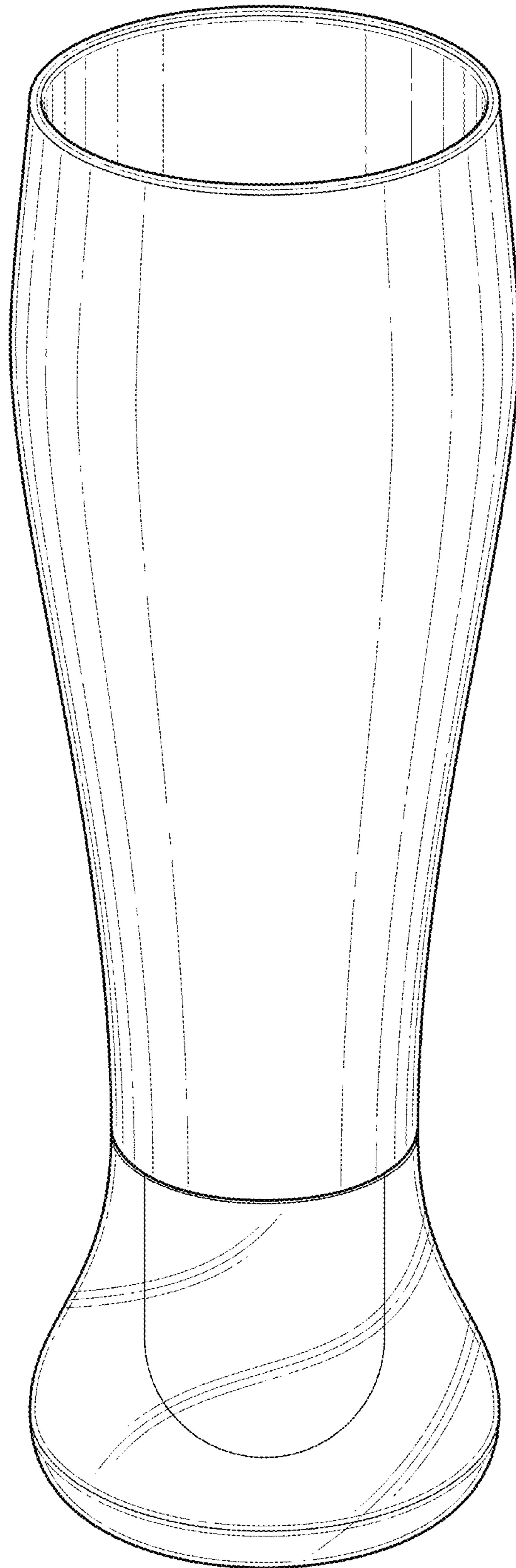


FIG. 1

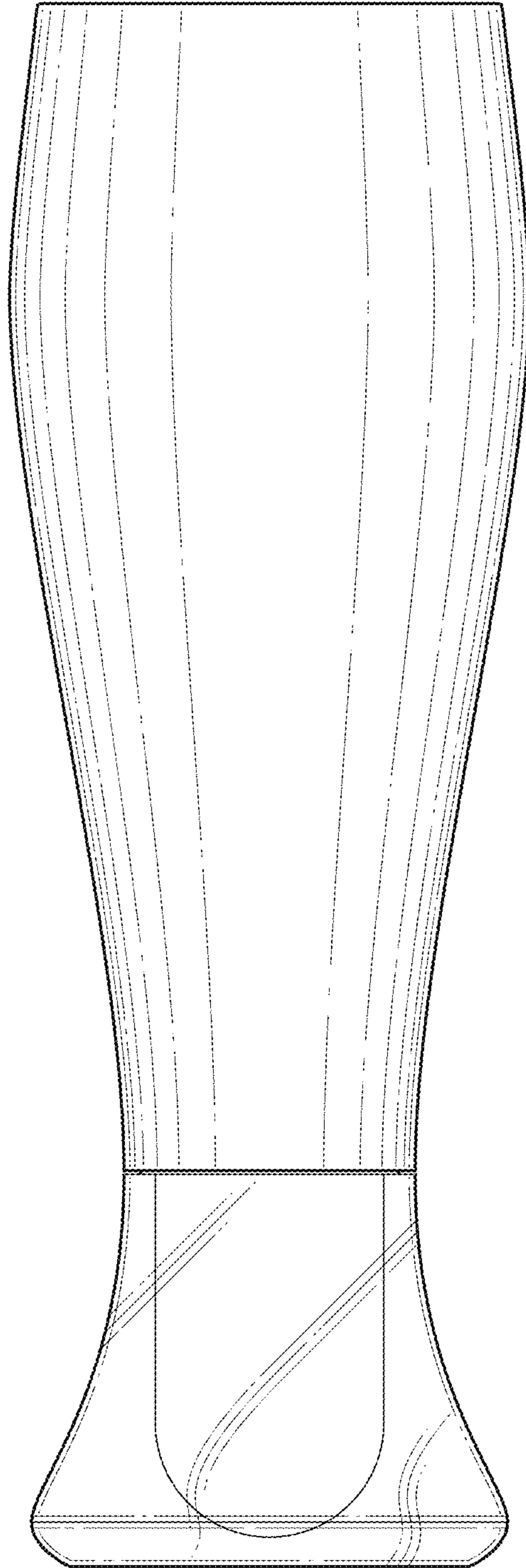


FIG. 2

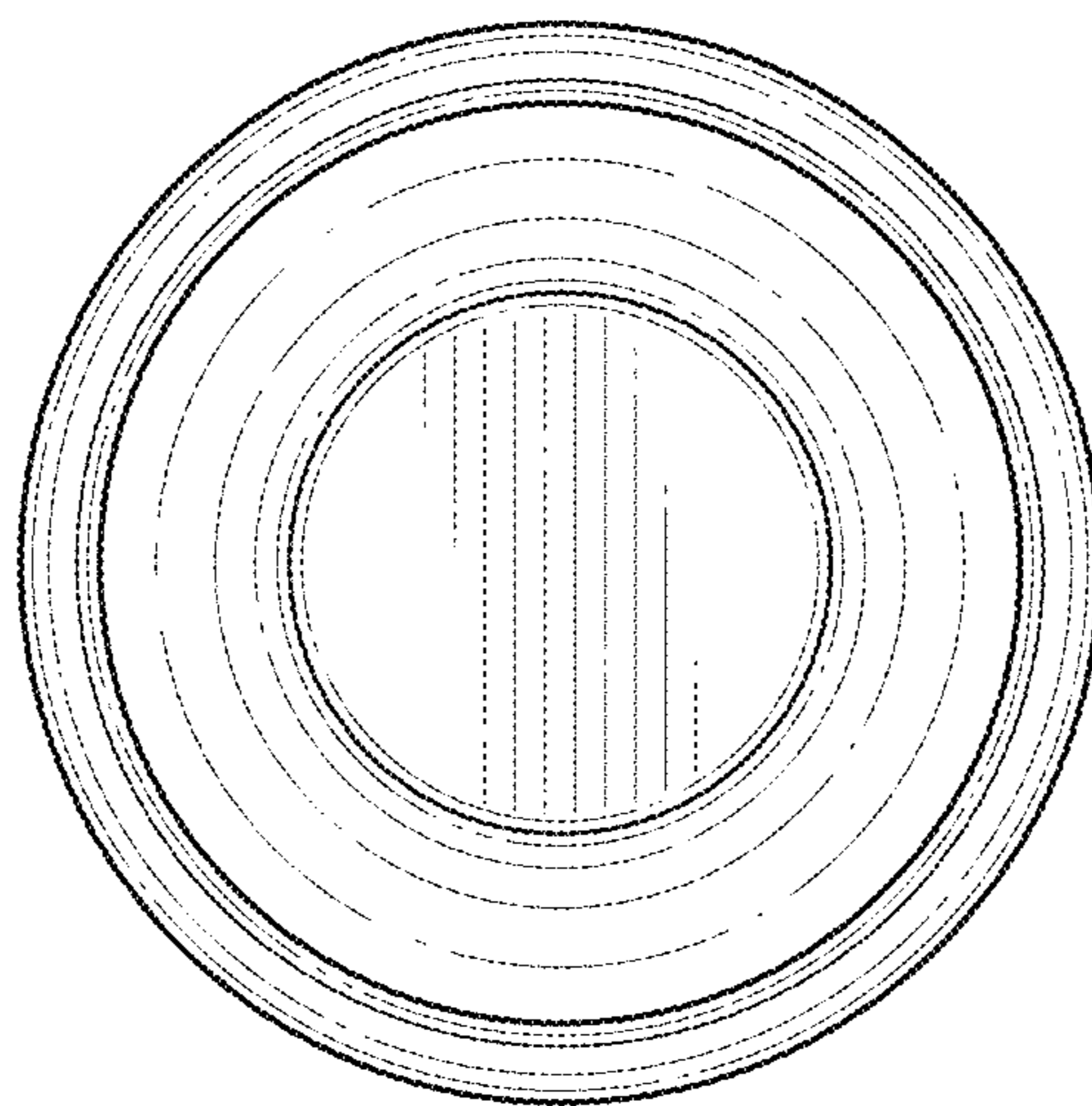


FIG. 3

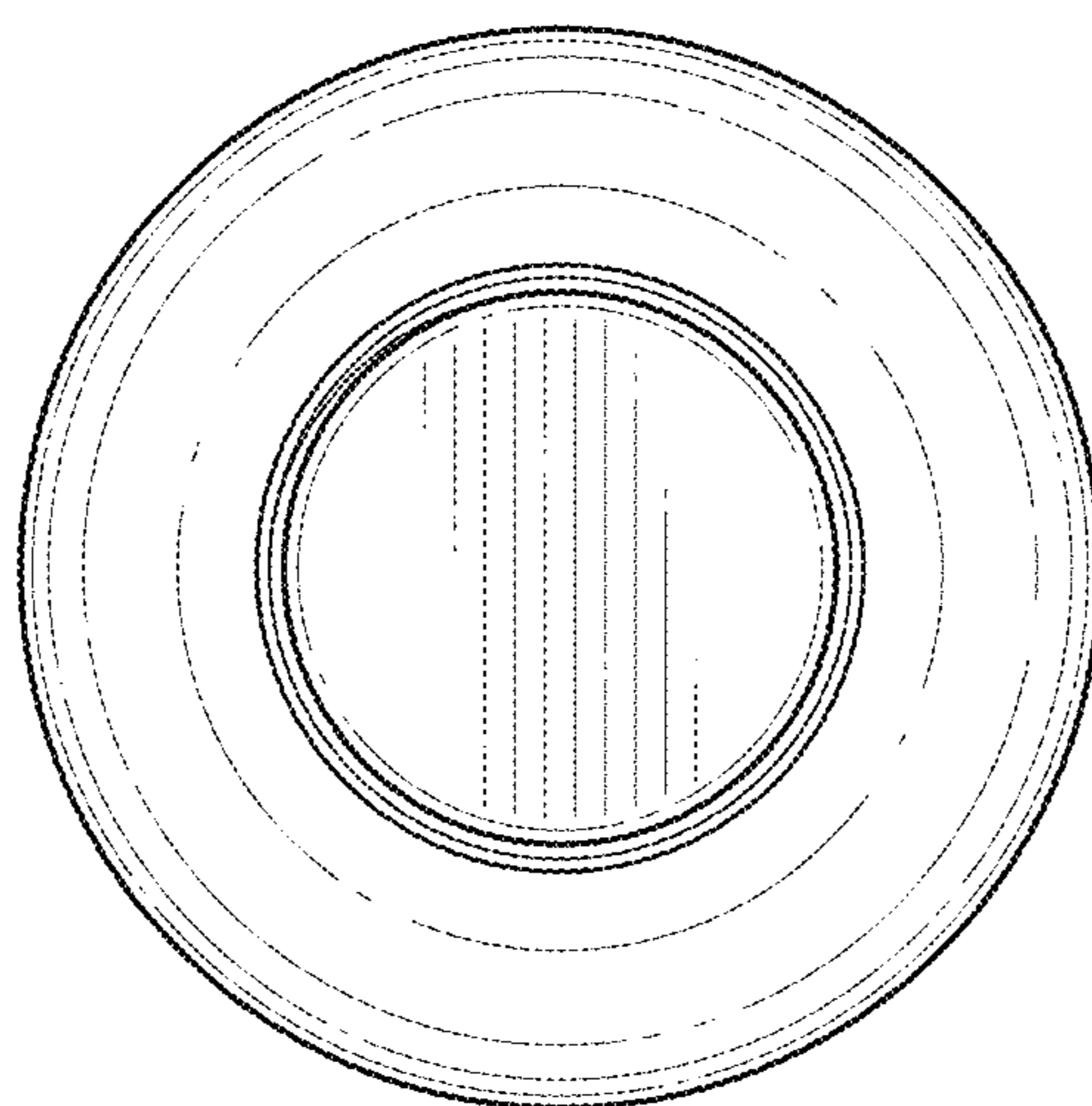


FIG. 4

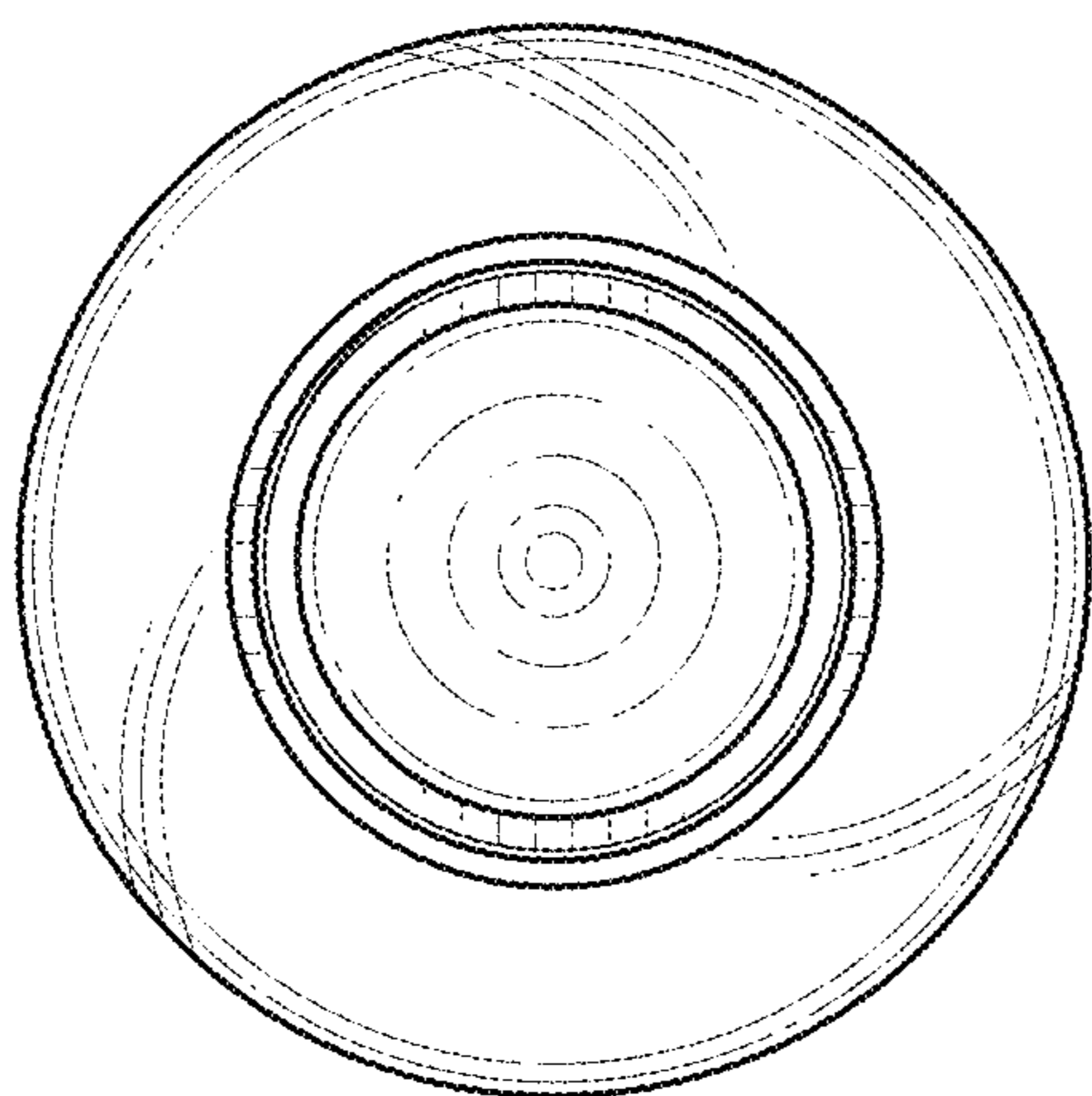


FIG. 5

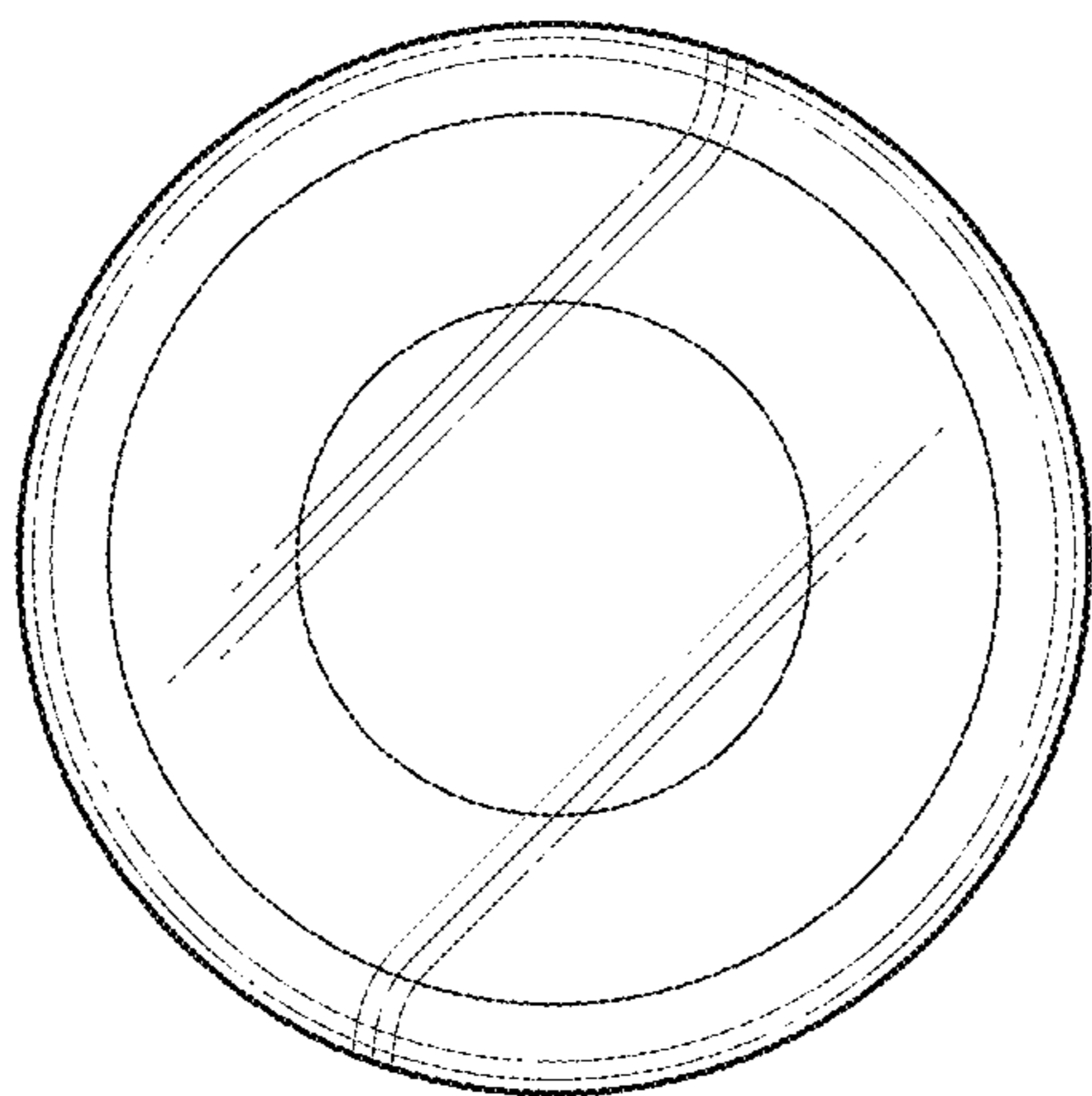


FIG. 6

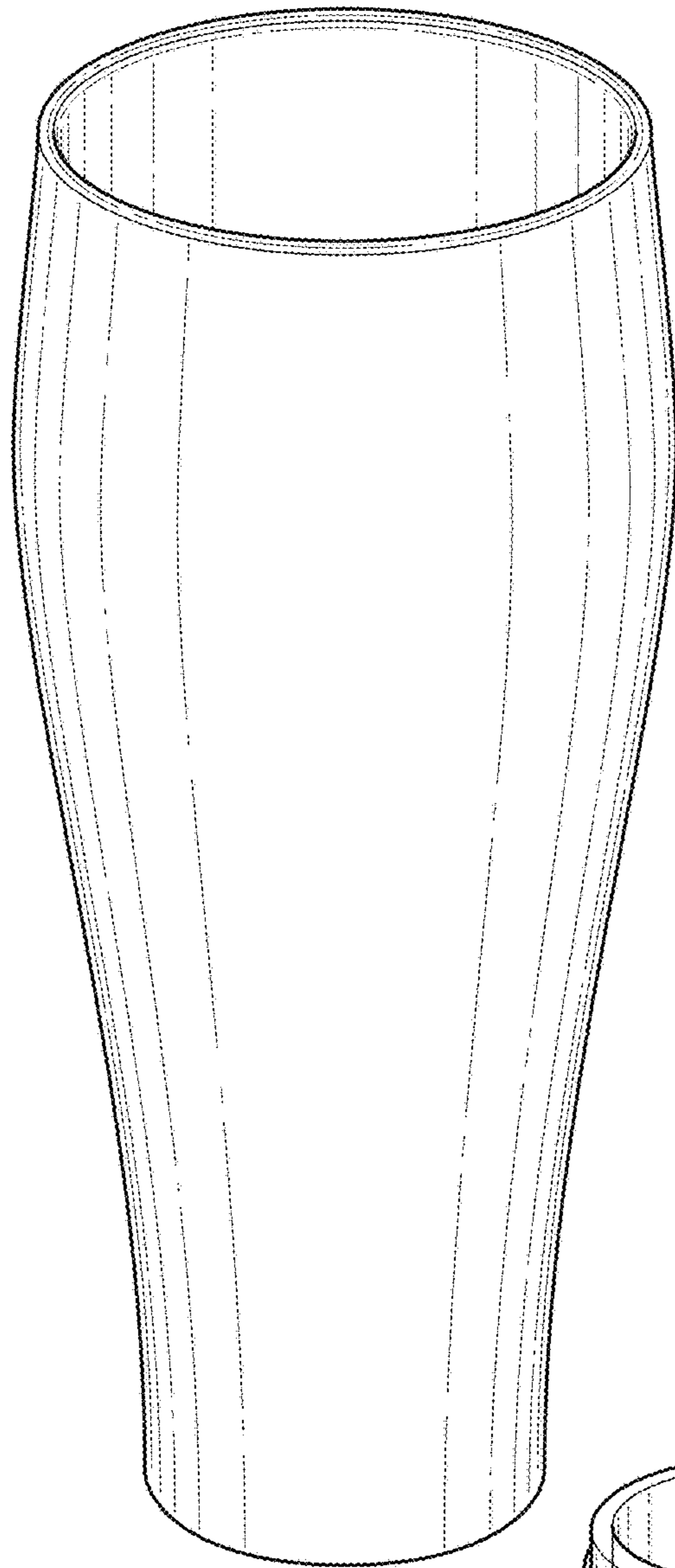


FIG. 7

