



US00D801117S

(12) **United States Design Patent** (10) **Patent No.:** **US D801,117 S**  
**Valderrama et al.** (45) **Date of Patent:** **\*\* Oct. 31, 2017**

(54) **CHILD TRAINING CUP**

(71) Applicants: **Vincent Valderrama**, New York, NY (US); **John Traub**, Brooklyn, NY (US); **Joshua Weisman**, Weston, MA (US); **Keith Tritschler**, Wicklow (IE)

(72) Inventors: **Vincent Valderrama**, New York, NY (US); **John Traub**, Brooklyn, NY (US); **Joshua Weisman**, Weston, MA (US); **Keith Tritschler**, Wicklow (IE)

(73) Assignee: **HELEN OF TROY LIMITED**, St. Michael (BB)

(\*\*) Term: **15 Years**

(21) Appl. No.: **29/567,159**

(22) Filed: **Jun. 6, 2016**

(51) **LOC (10) Cl.** ..... **07-01**

(52) **U.S. Cl.**  
USPC ..... **D7/510; D7/511; D7/532**

(58) **Field of Classification Search**  
USPC ..... D7/507, 509, 510, 511, 523, 529, 530, D7/531, 532, 533, 534, 535, 536, 608, D7/392.1, 396.2, 396.4, 387, 394, 515; D9/434; D10/46.2; D24/197, 199; 220/592.16, 592.17  
CPC ..... A47G 19/22; A47G 19/2205; A47G 19/2227; A47G 19/2266; A47F 3/16  
See application file for complete search history.

(56) **References Cited**

**U.S. PATENT DOCUMENTS**

D441,087 S \* 4/2001 Johansen ..... D24/197  
D448,971 S \* 10/2001 Hughes ..... D7/392.1  
D616,706 S \* 6/2010 Bofinger ..... D24/197  
D620,753 S \* 8/2010 Lane ..... D7/510  
D683,185 S \* 5/2013 Thomas ..... D7/510  
D717,116 S \* 11/2014 Asian ..... D24/197

D725,434 S \* 3/2015 De Leo ..... D7/392.1  
D730,697 S \* 6/2015 Johnson ..... D7/510  
D732,676 S \* 6/2015 Prentice ..... D24/197  
D736,035 S \* 8/2015 Wang ..... D7/510  
D748,434 S \* 2/2016 Thalmann ..... D7/510  
D748,435 S \* 2/2016 Thalmann ..... D7/510  
D762,419 S \* 8/2016 Parker ..... D7/510  
D763,624 S \* 8/2016 Parker ..... D7/510  
D764,235 S \* 8/2016 Parker ..... D7/510  
D783,358 S \* 4/2017 Schlegel ..... D7/510  
2005/0133519 A1 \* 6/2005 McDonough ..... A47G 19/2266  
220/705

(Continued)

*Primary Examiner* — Marianne Pandozzi  
*Assistant Examiner* — Jae Liang

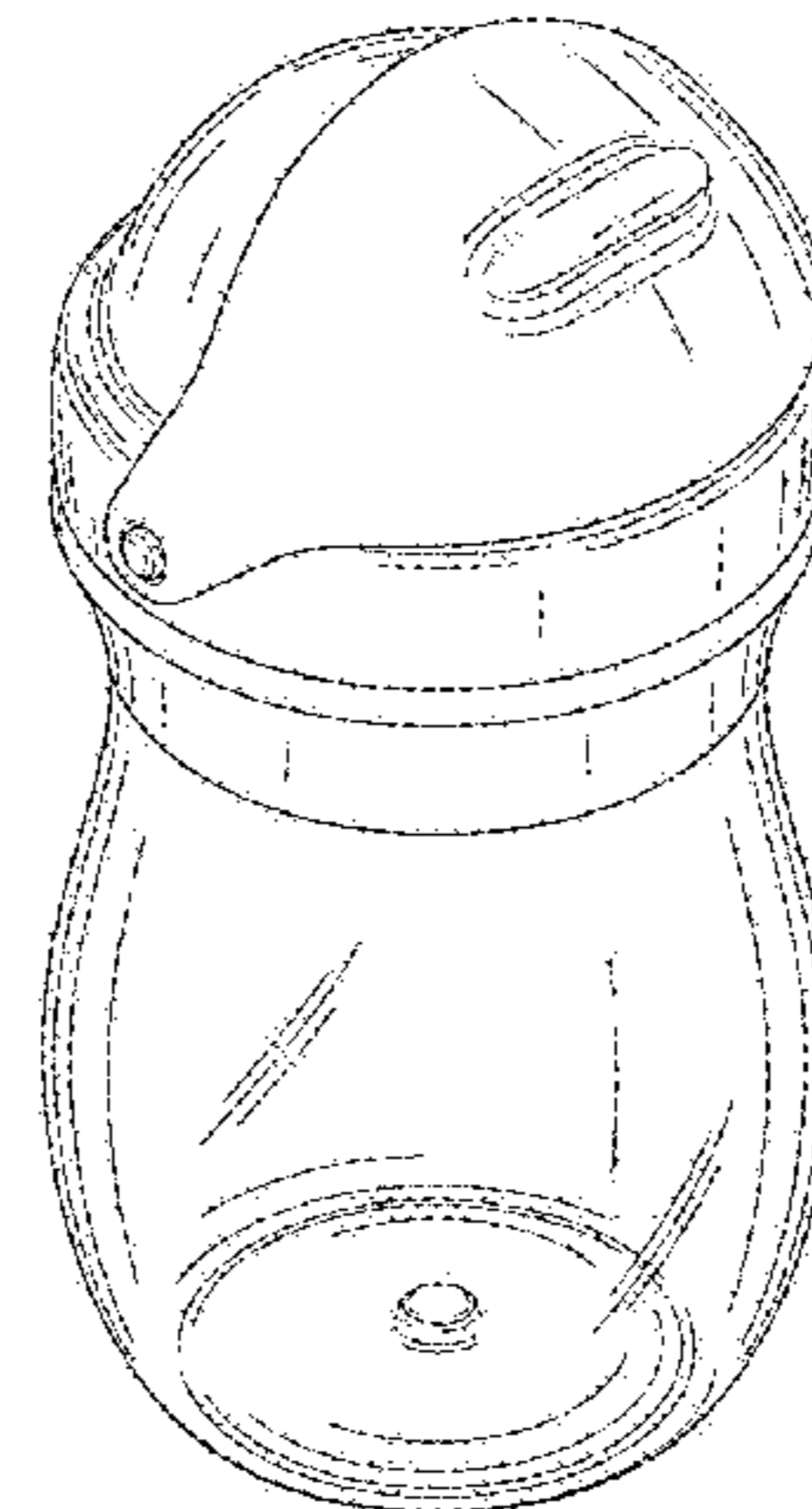
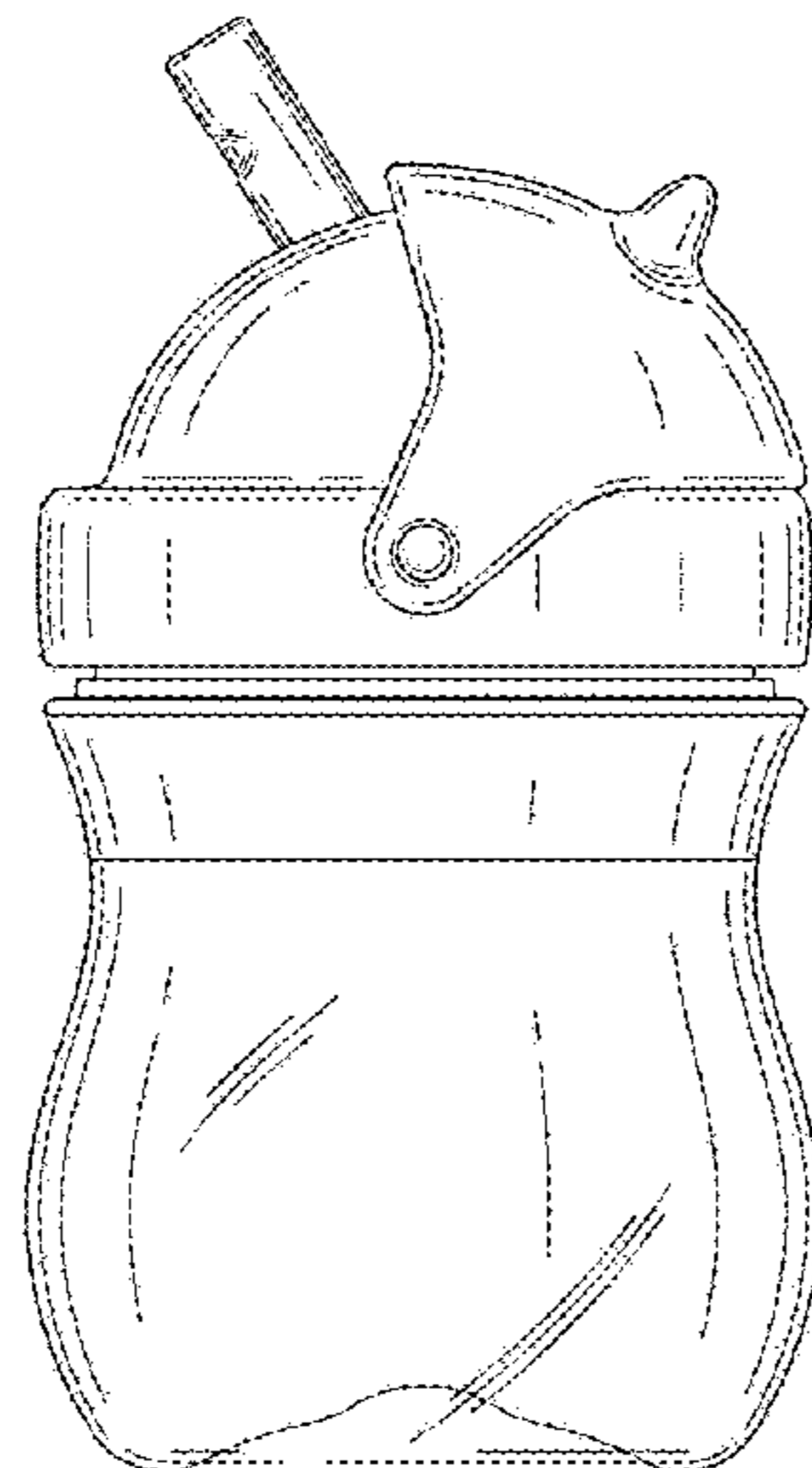
(57) **CLAIM**

The ornamental design for a child training cup, as shown, and described.

**DESCRIPTION**

FIG. 1 is a perspective view of a first embodiment of a child training cup showing our new design;  
FIG. 2 is a front view thereof;  
FIG. 3 is a rear view thereof;  
FIG. 4 is a left side view thereof;  
FIG. 5 is a right side view thereof;  
FIG. 6 is a top view thereof;  
FIG. 7 is a bottom view thereof;  
FIG. 8 is a perspective view thereof in its closed position;  
FIG. 9 is a perspective view of a second embodiment of a child training cup;  
FIG. 10 is a front view thereof;  
FIG. 11 is a rear view thereof;  
FIG. 12 is a left side view thereof;  
FIG. 13 is a right side view thereof;  
FIG. 14 is a top view thereof;  
FIG. 15 is a bottom view thereof; and,  
FIG. 16 is a perspective view thereof in its closed position.

**1 Claim, 16 Drawing Sheets**



(56)

**References Cited**

U.S. PATENT DOCUMENTS

2016/0120343 A1\* 5/2016 Liang ..... A47G 19/2266  
220/303

\* cited by examiner

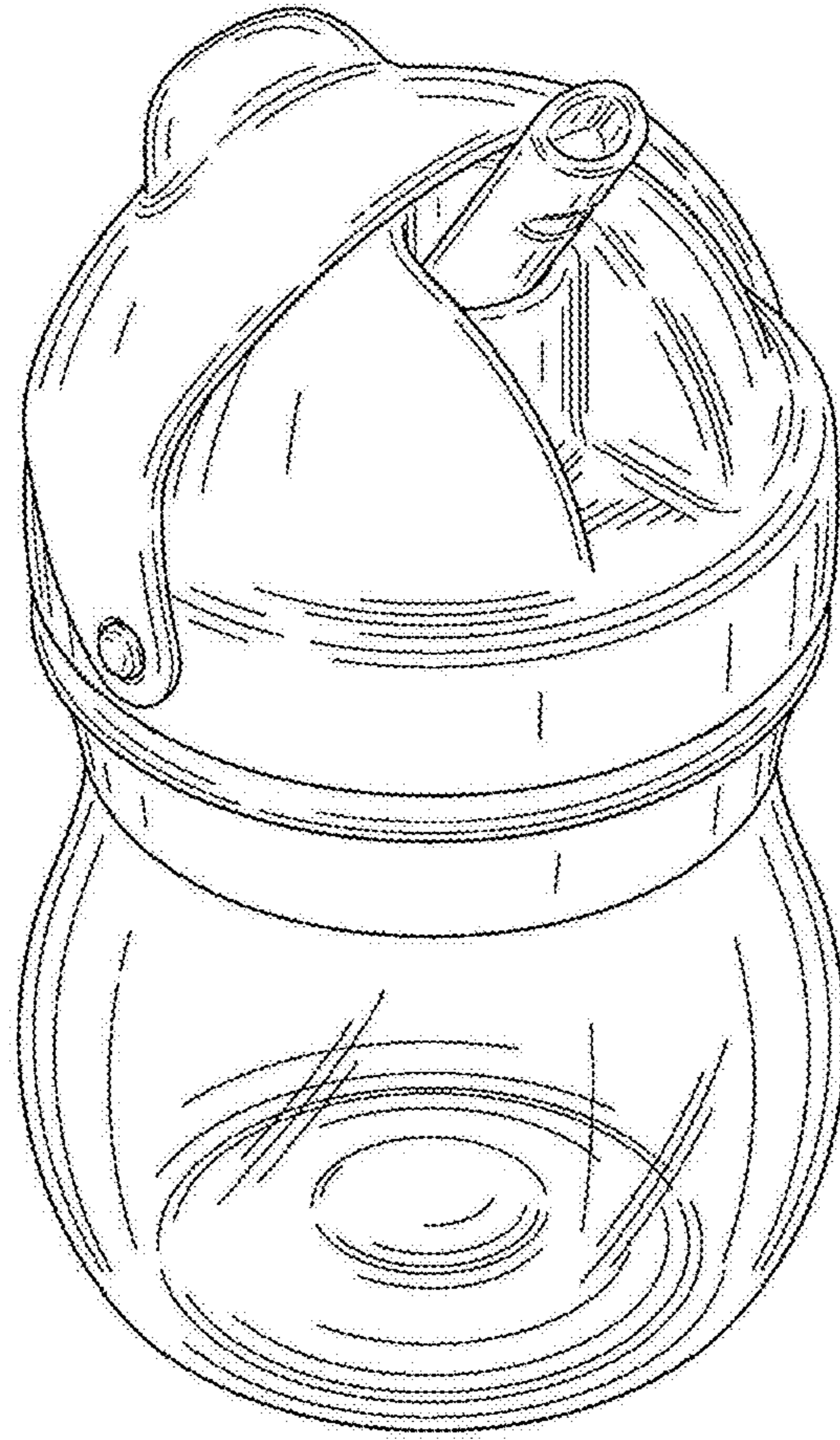


FIG. 1

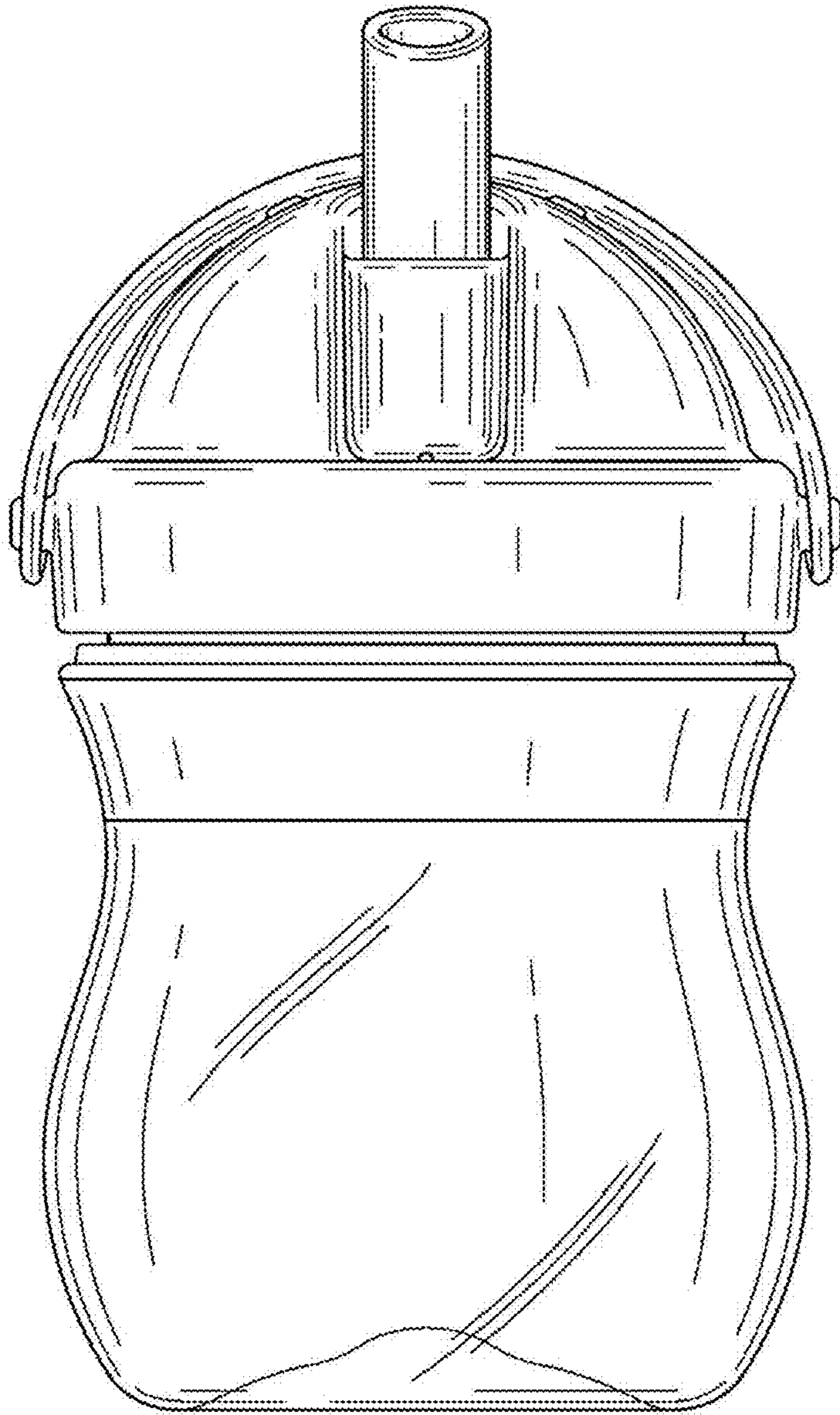


FIG. 2



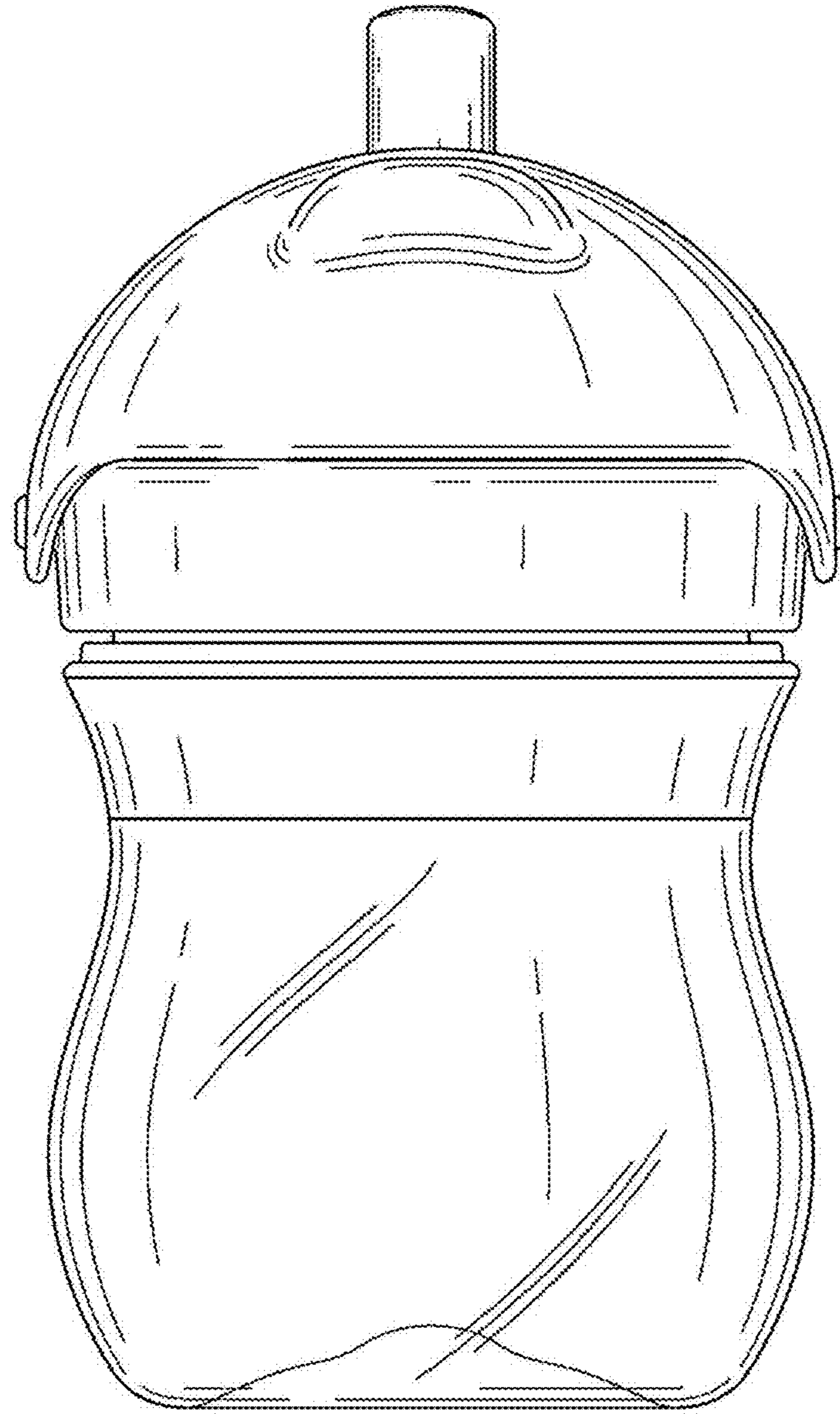


FIG. 3

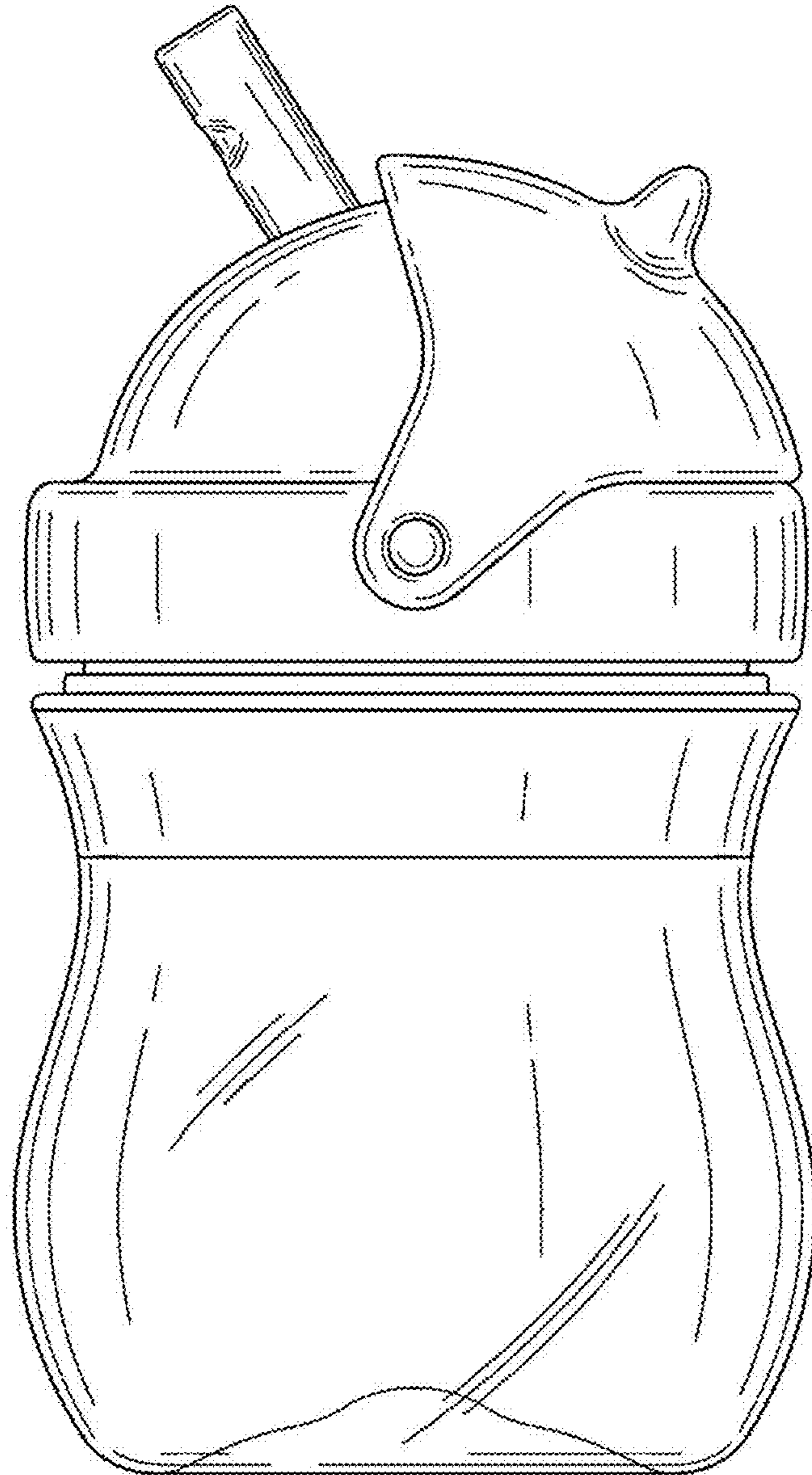


FIG. 4

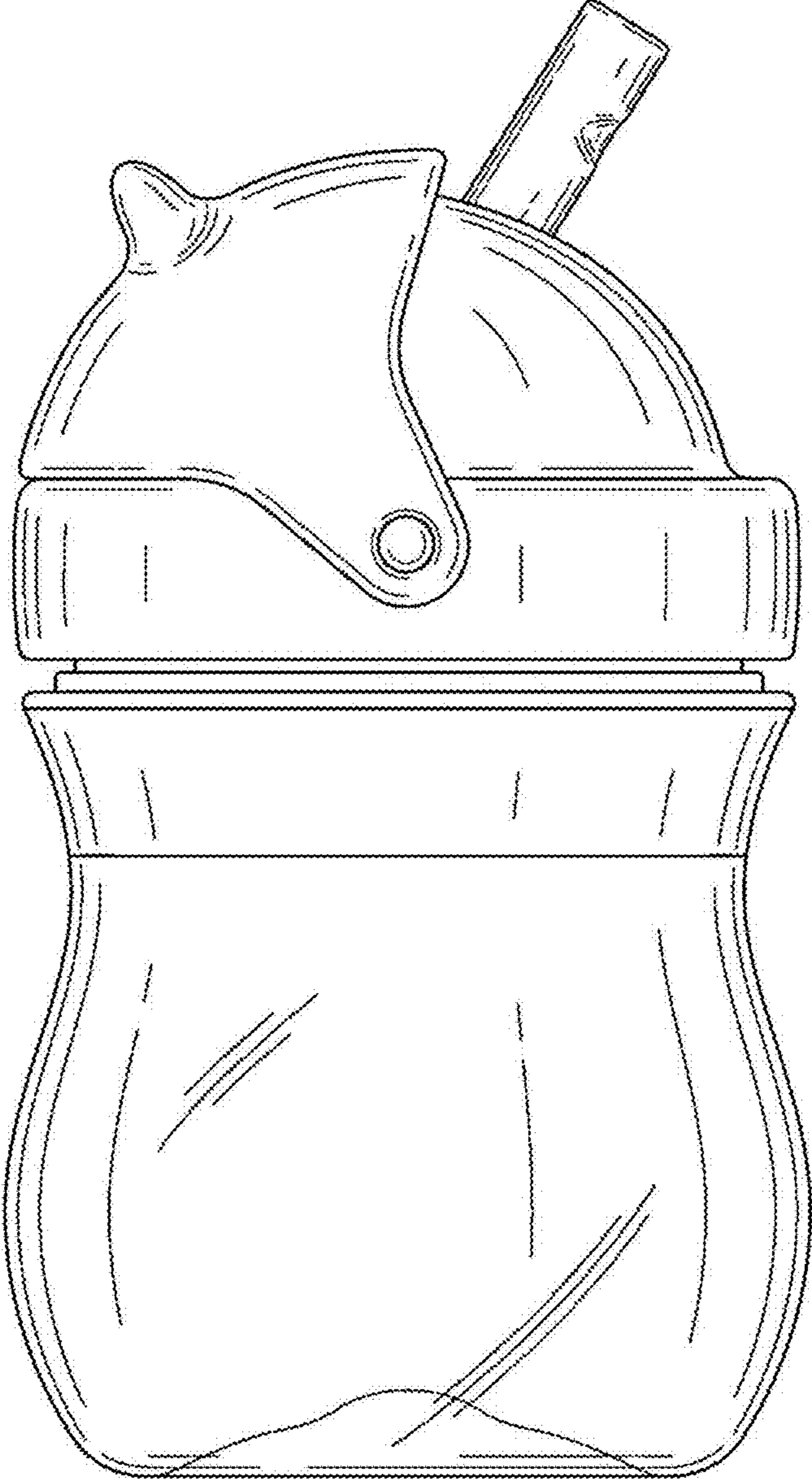


FIG. 5

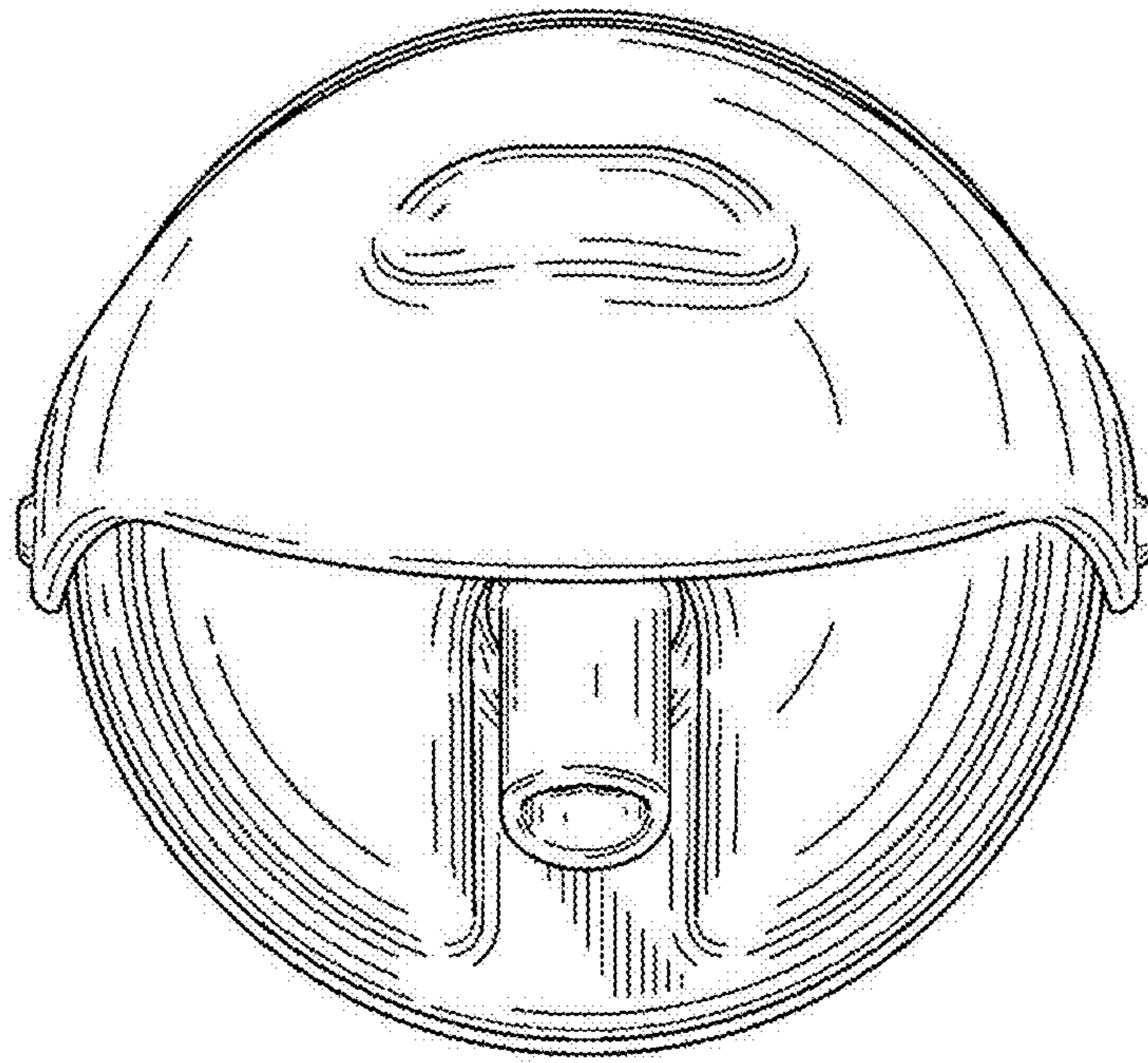


FIG. 6



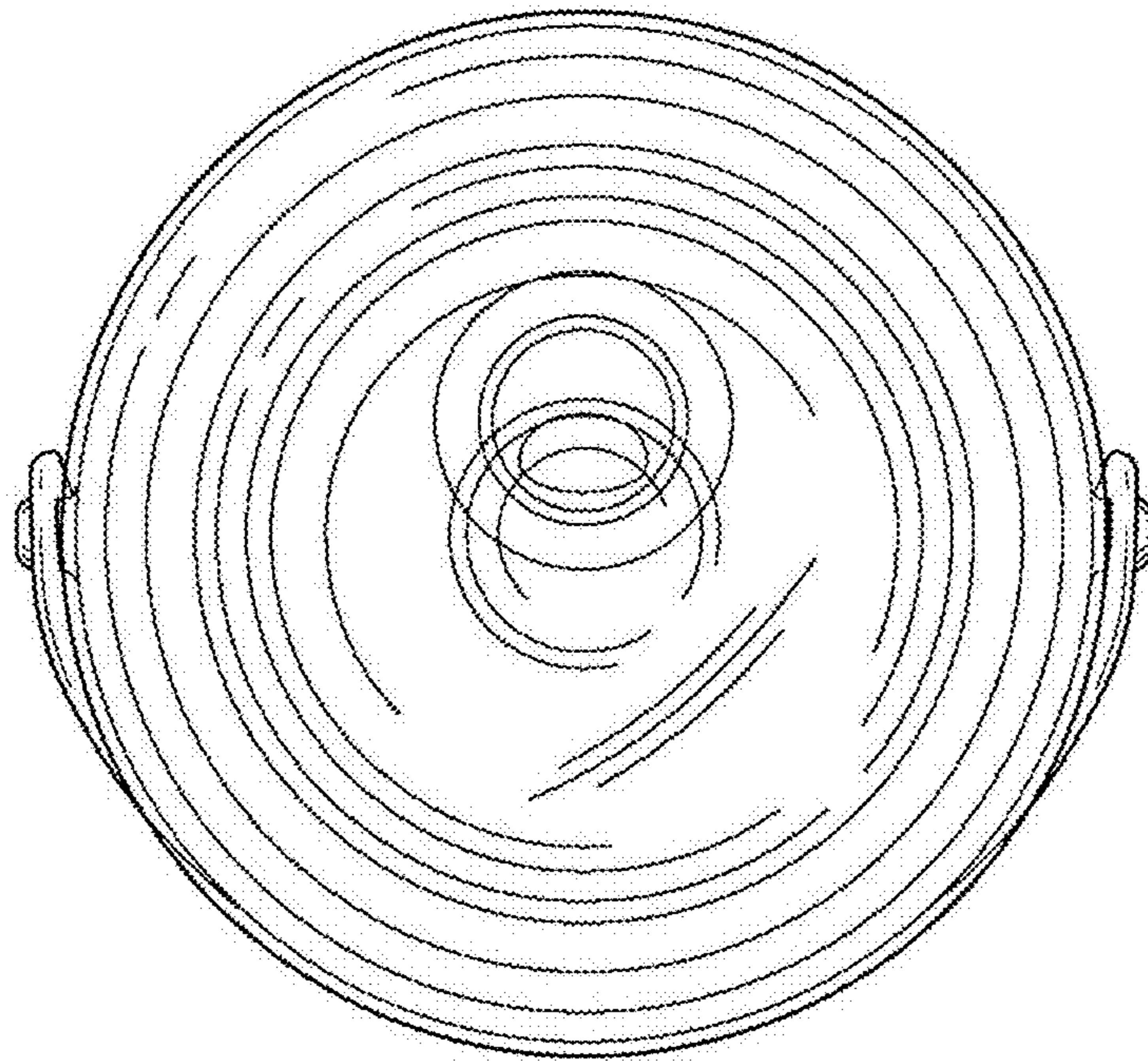


FIG. 7

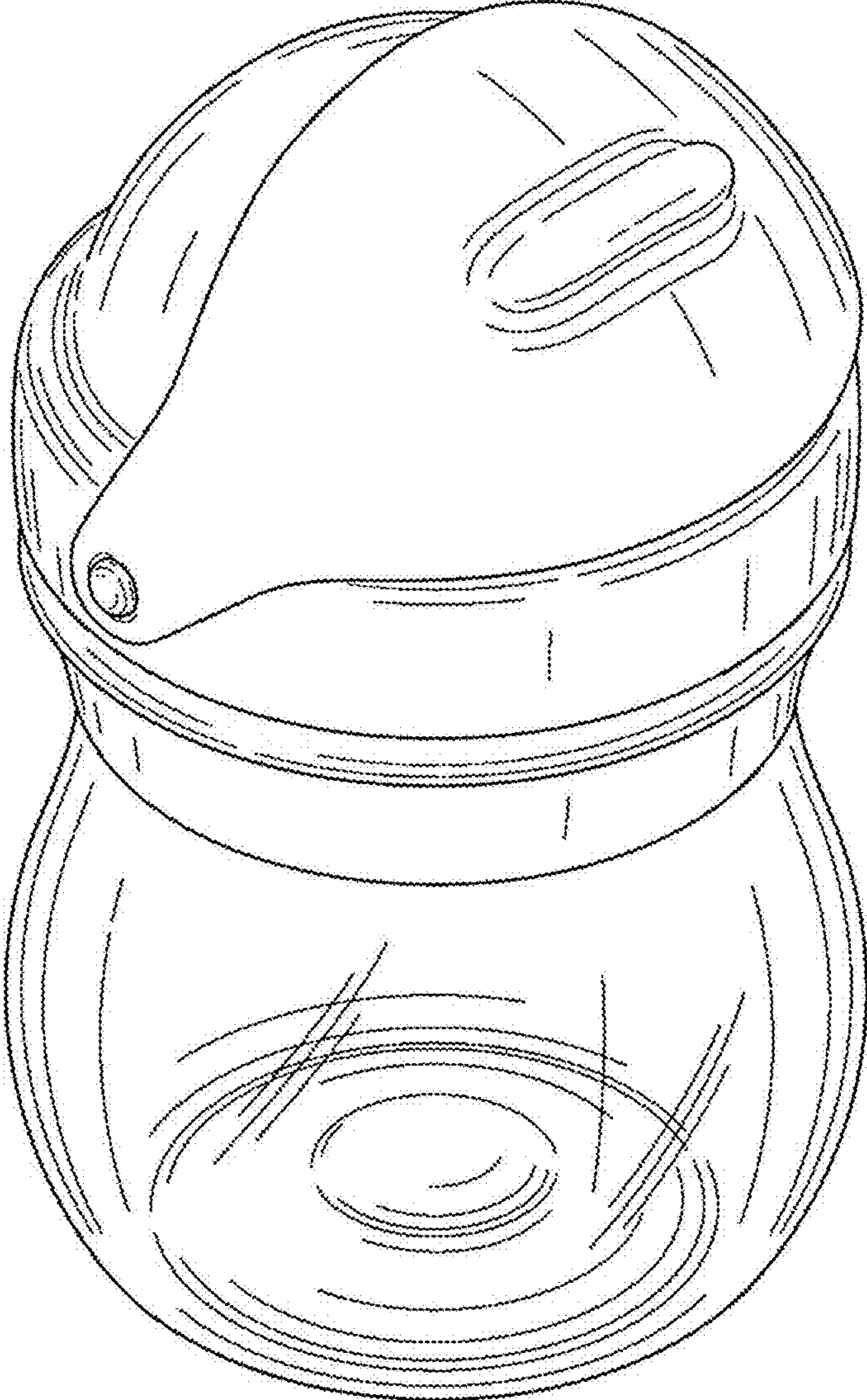


FIG. 8

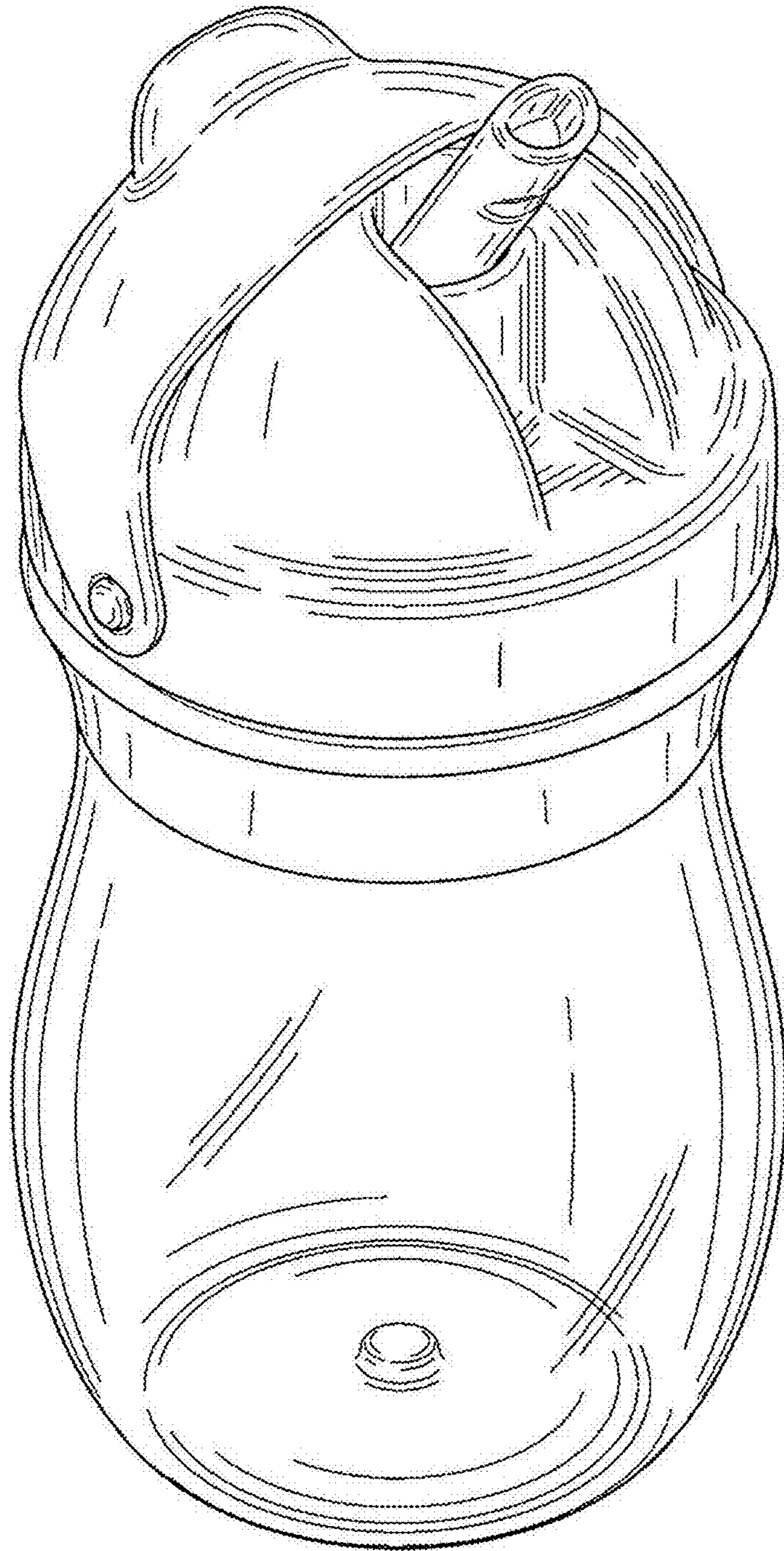


FIG. 9



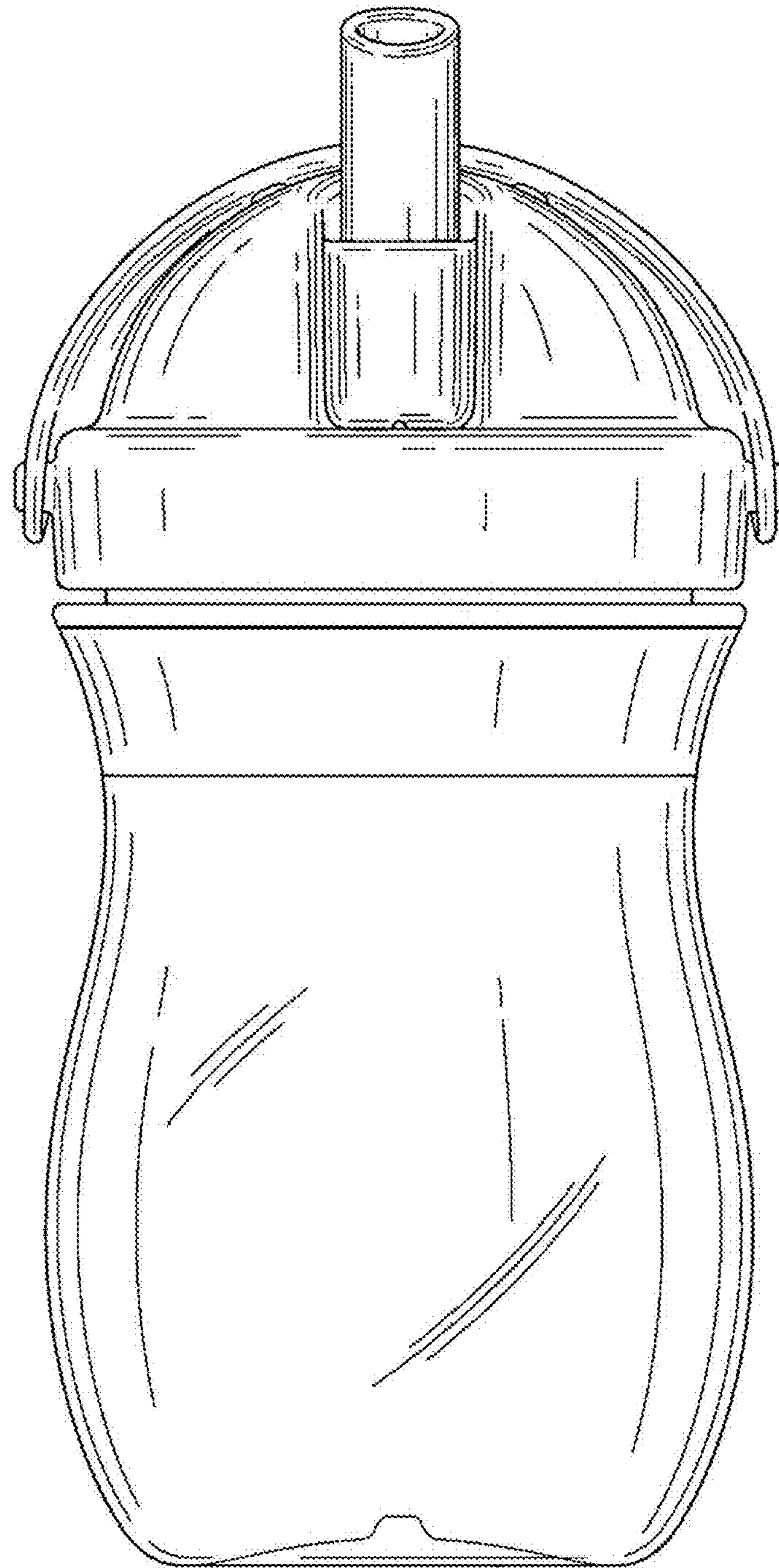


FIG. 10



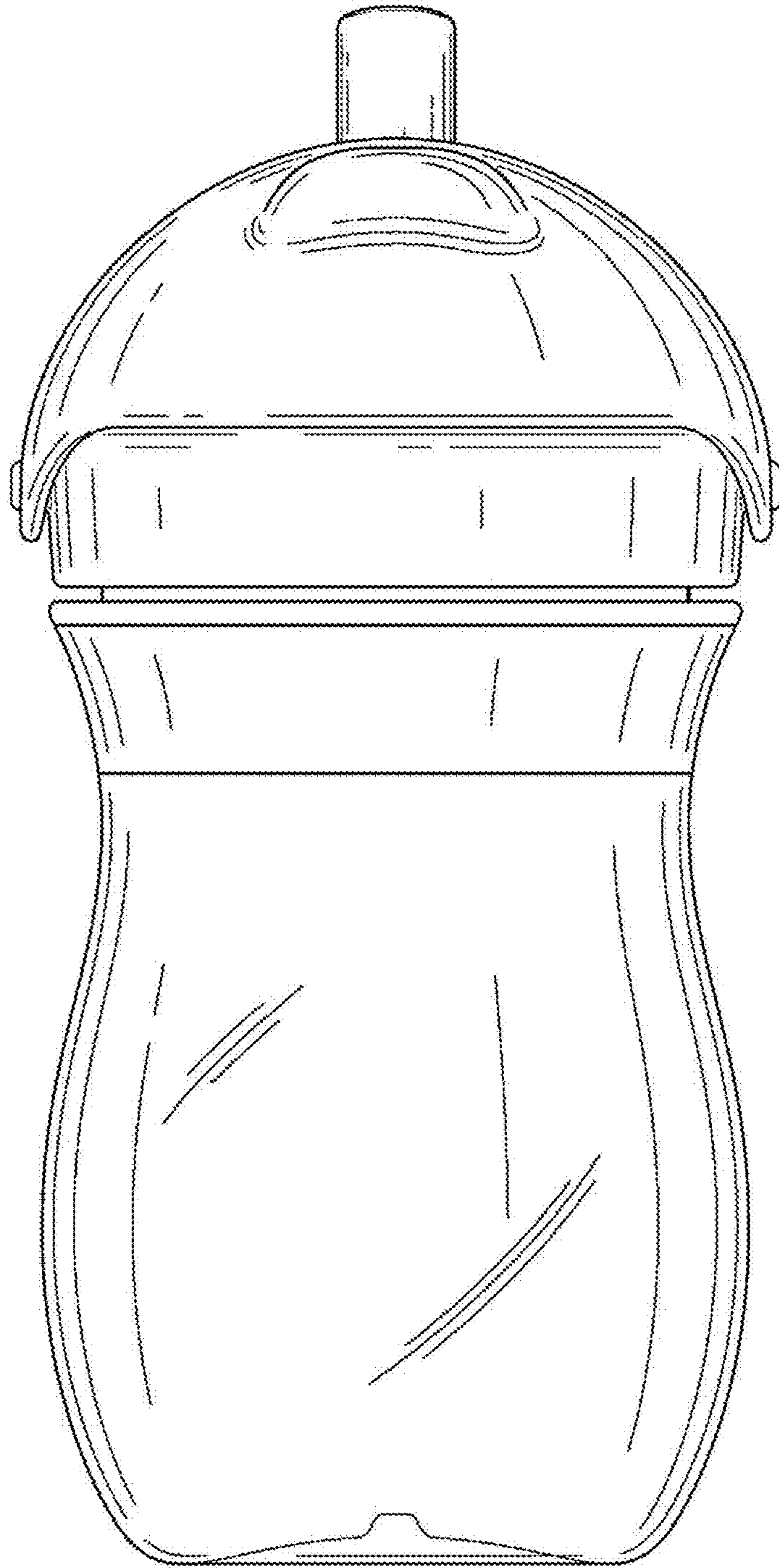


FIG. 11

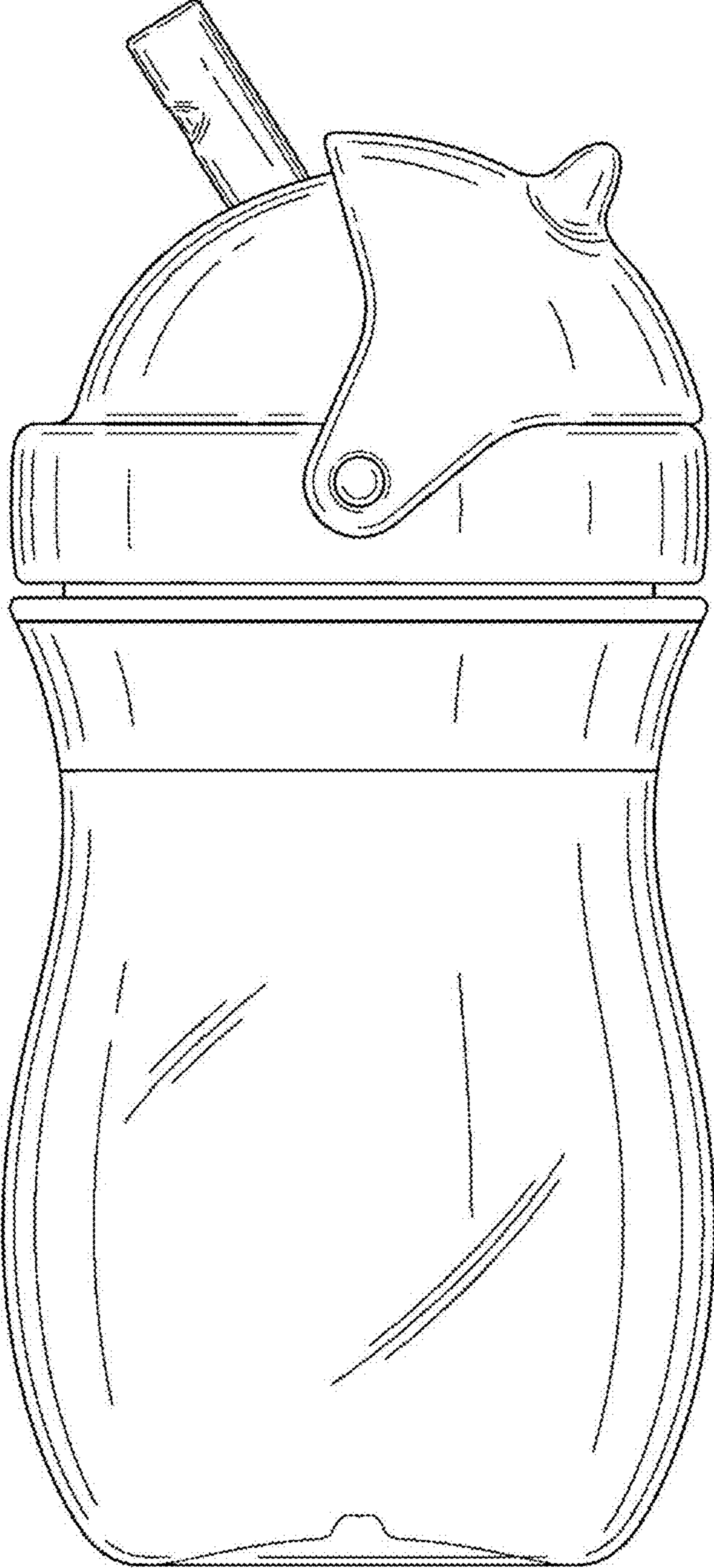


FIG. 12

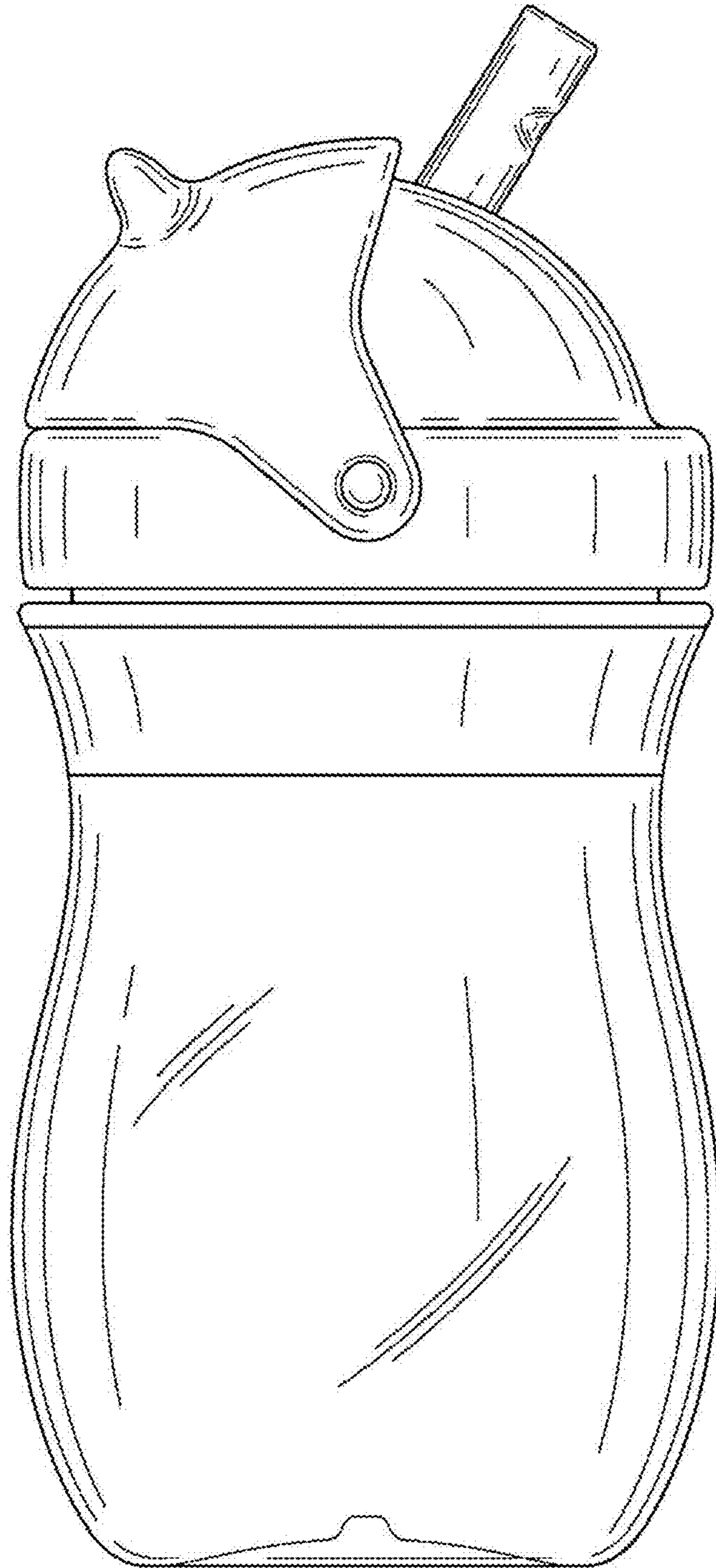


FIG. 13

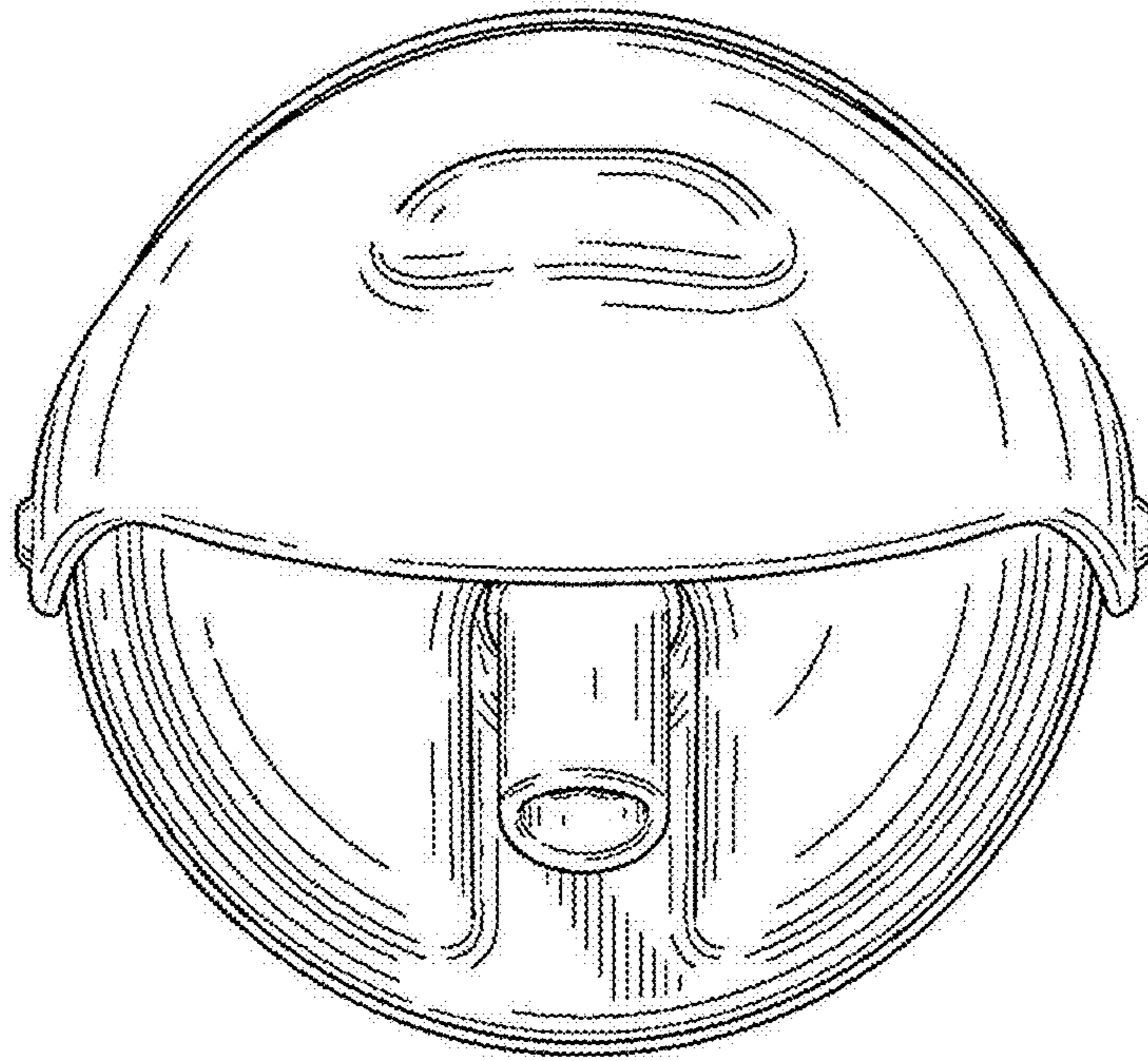


FIG. 14



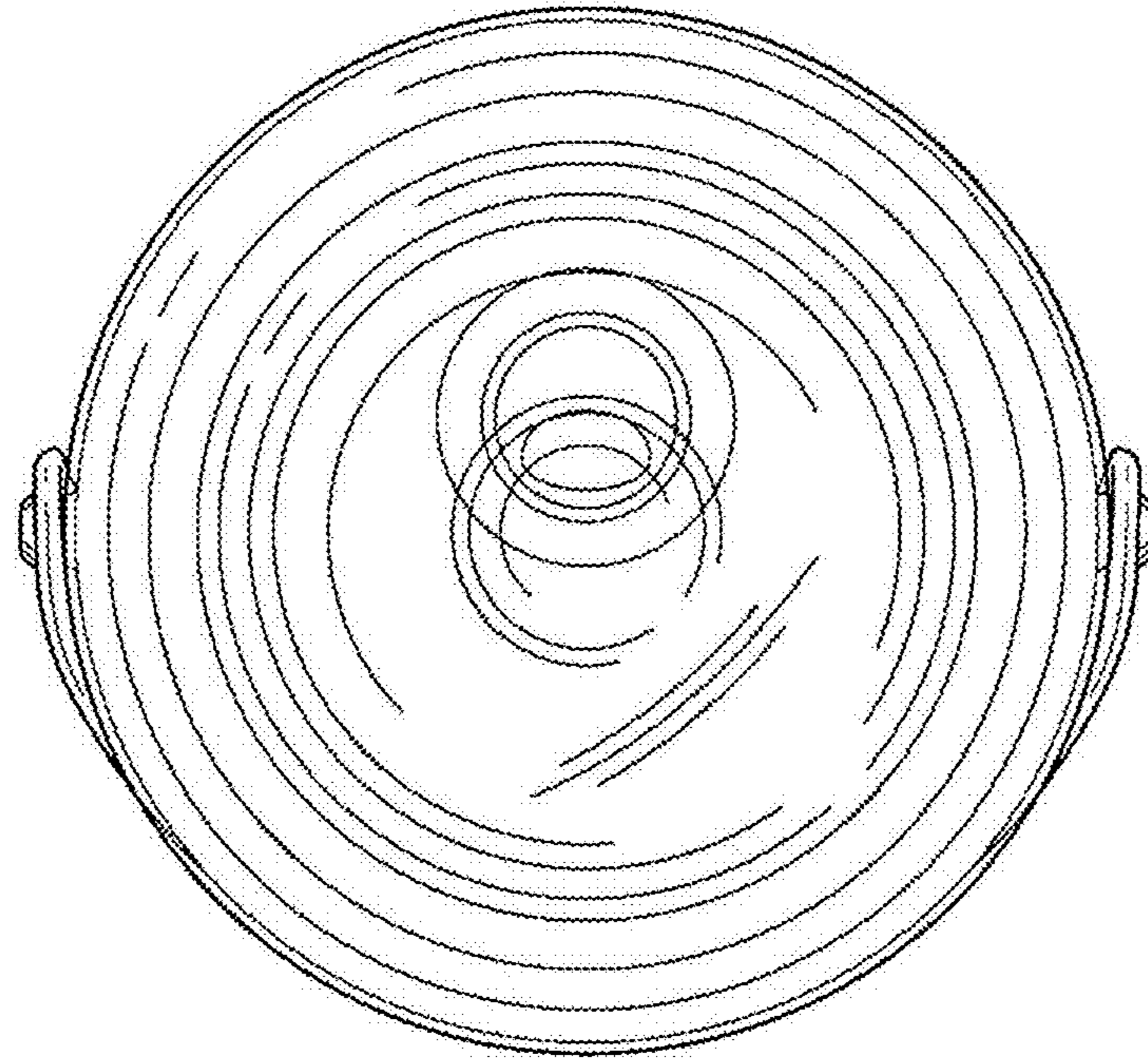


FIG. 15

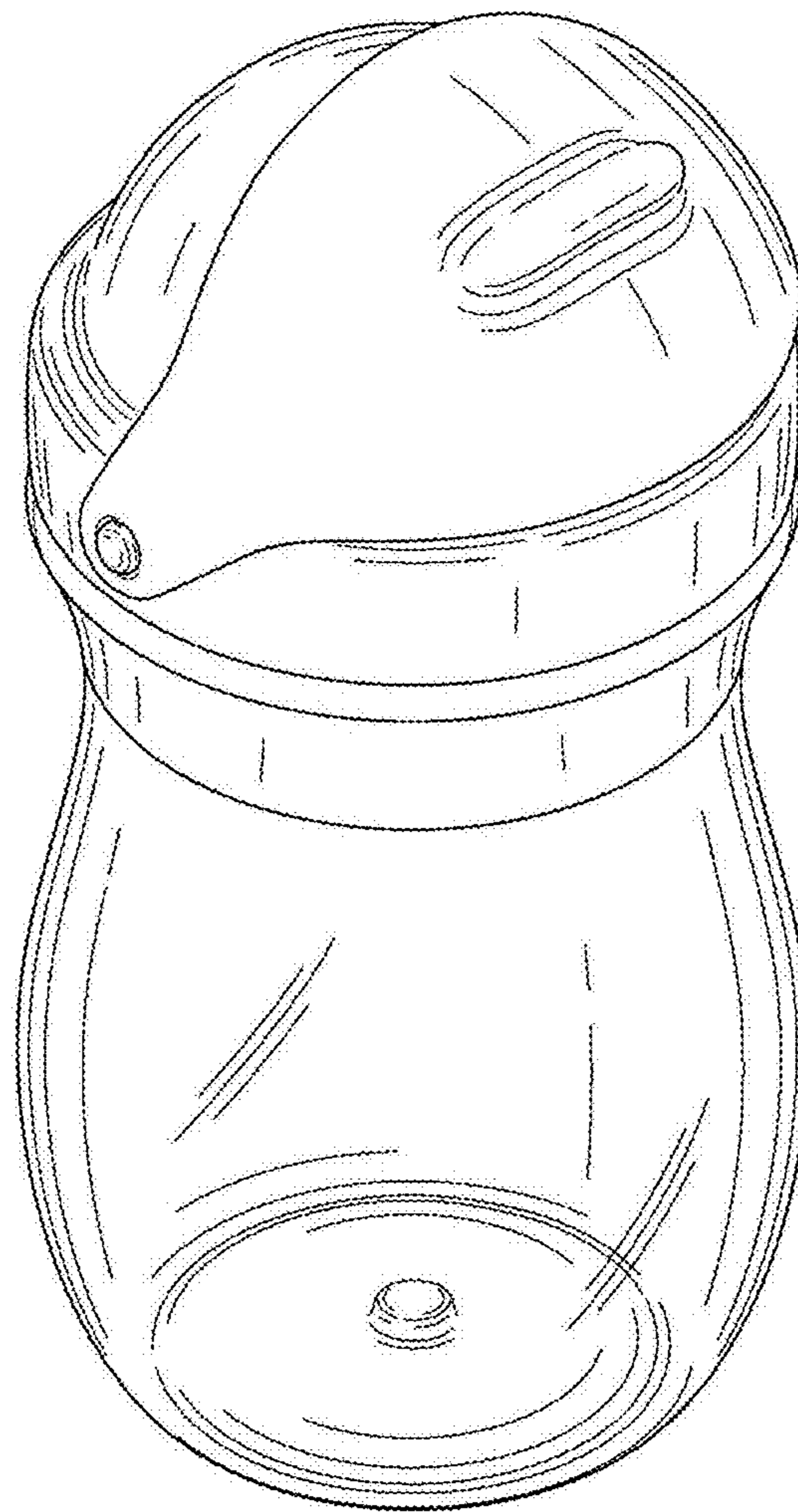


FIG. 16