



US00D801113S

(12) **United States Design Patent** (10) **Patent No.:** **US D801,113 S**
Rancour (45) **Date of Patent:** **** Oct. 31, 2017**

(54) **BEER TAP HANDLE**

(71) Applicant: **Michael Rancour**, Plymouth, MN (US)

(72) Inventor: **Michael Rancour**, Plymouth, MN (US)

(**) Term: **15 Years**

(21) Appl. No.: **29/560,161**

(22) Filed: **Apr. 4, 2016**

(51) **LOC (10) Cl.** **07-99**

(52) **U.S. Cl.**
USPC **D7/398**

(58) **Field of Classification Search**

USPC D7/312, 313, 397, 398; 220/470, 475,
220/467, 469; 222/145.7, 145.1

CPC B67D 1/0872; B67D 1/0892; B67D 3/00
See application file for complete search history.

(56) **References Cited**

U.S. PATENT DOCUMENTS

4,705,188	A	11/1987	Rahn	
D362,489	S *	9/1995	Moon	D23/252
D485,121	S *	1/2004	Ahlgrim	D7/393
8,011,123	B2	9/2011	Ferris	
D742,166	S *	11/2015	Hamill	D10/68
2011/0067276	A1 *	3/2011	Ferris	B67D 1/1405 40/332
2011/0240187	A1 *	10/2011	Gaynor	B67D 1/0872 150/154
2015/0052790	A1 *	2/2015	Logue	B67D 3/0096 40/332

* cited by examiner

Primary Examiner — Daniel Bui

Assistant Examiner — Andrew Kerr

(74) *Attorney, Agent, or Firm* — Dietz Law Offices LLC

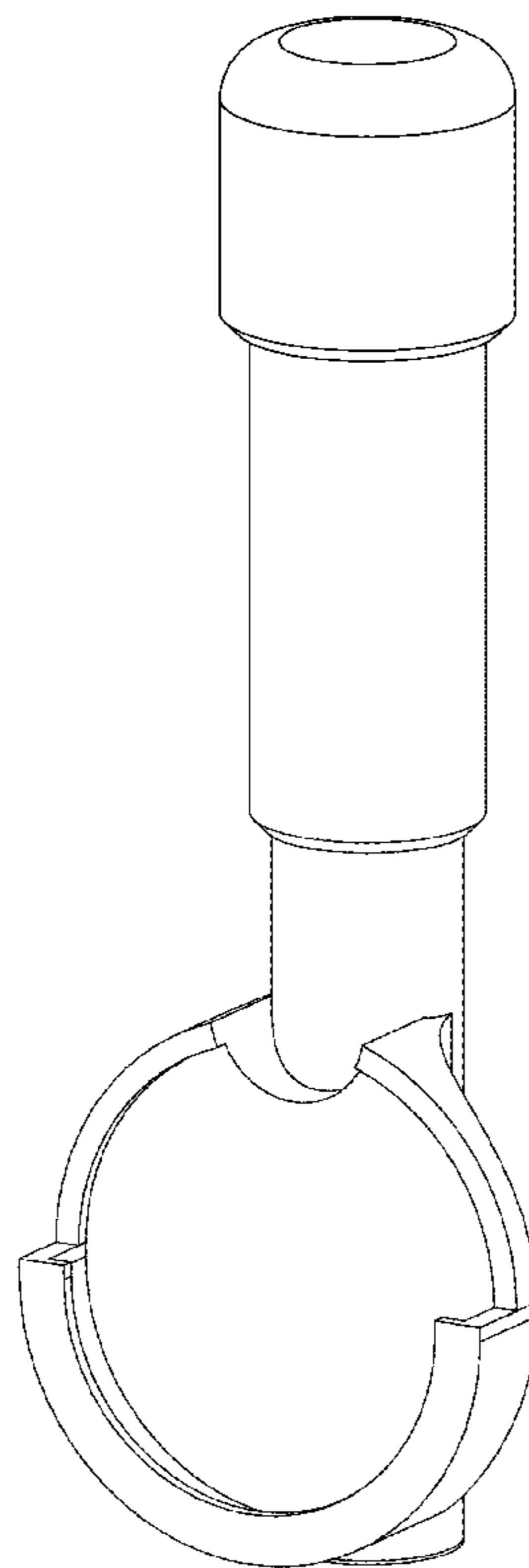
(57) **CLAIM**

The ornamental design for a beer tap handle, as shown and described.

DESCRIPTION

FIG. 1 is a front upper perspective view of the beer tap handle of the present invention;
 FIG. 2 is a front elevational view of the beer tap handle of the present invention shown in FIG. 1;
 FIG. 3 is a back elevational view of the beer tap handle of the present invention shown in FIG. 1;
 FIG. 4 is a left side elevational view of the beer tap handle of the present invention shown in FIG. 1;
 FIG. 5 is a right side elevational view of the beer tap handle of the present invention shown in FIG. 1;
 FIG. 6 is a top plan view of the beer tap handle of the present invention shown in FIG. 1;
 FIG. 7 is a bottom plan view of the beer tap handle of the present invention shown in FIG. 1; The portions of the beer tap handle shown in broken lines in FIG. 7 form no part of the claimed design; and,
 FIG. 8 is a back lower perspective view of the beer tap handle of the present invention shown in FIG. 1.

1 Claim, 8 Drawing Sheets



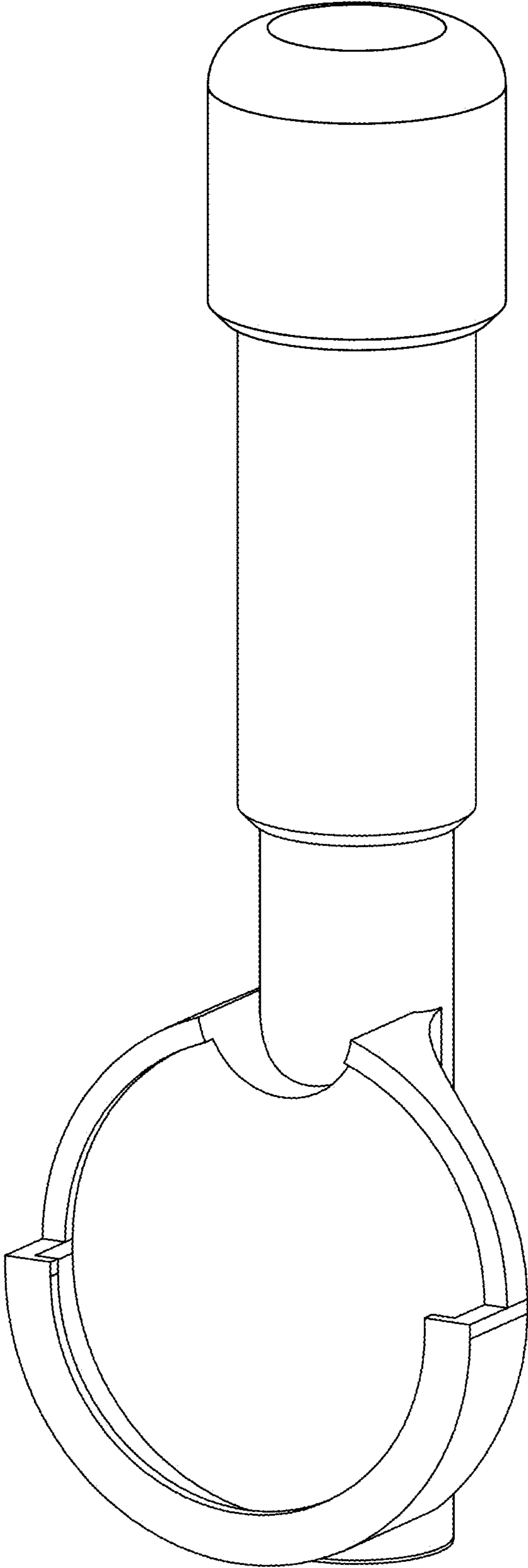


FIG. 1

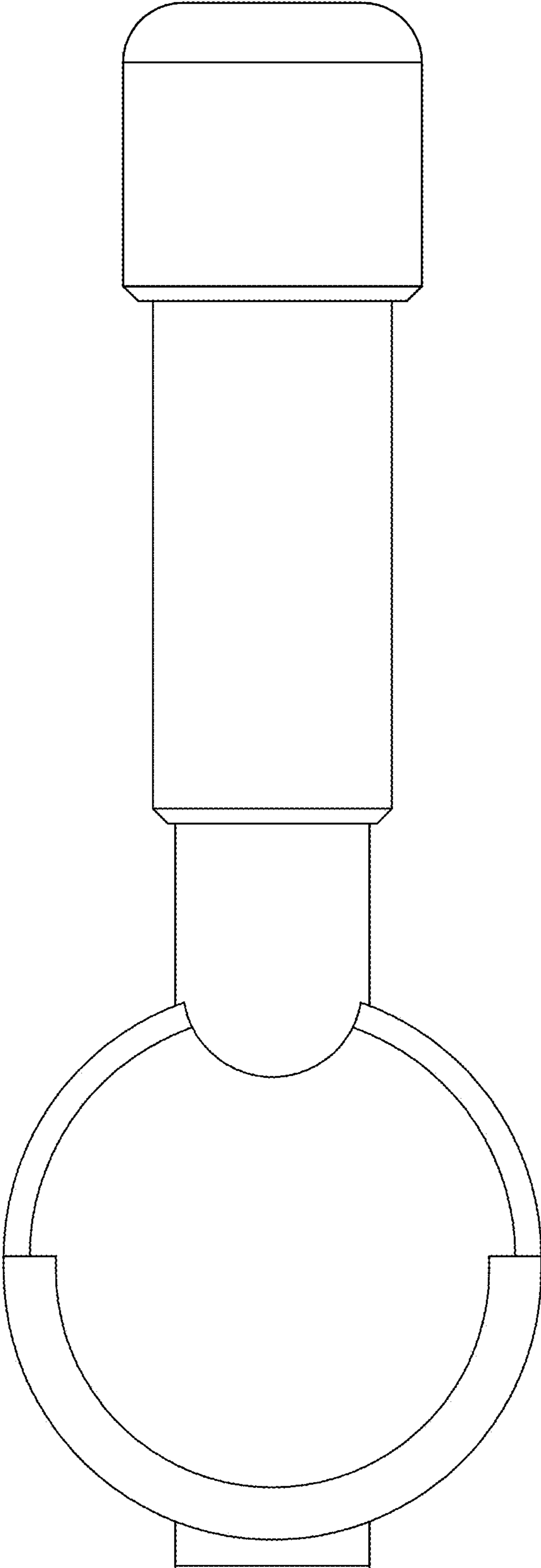


FIG. 2

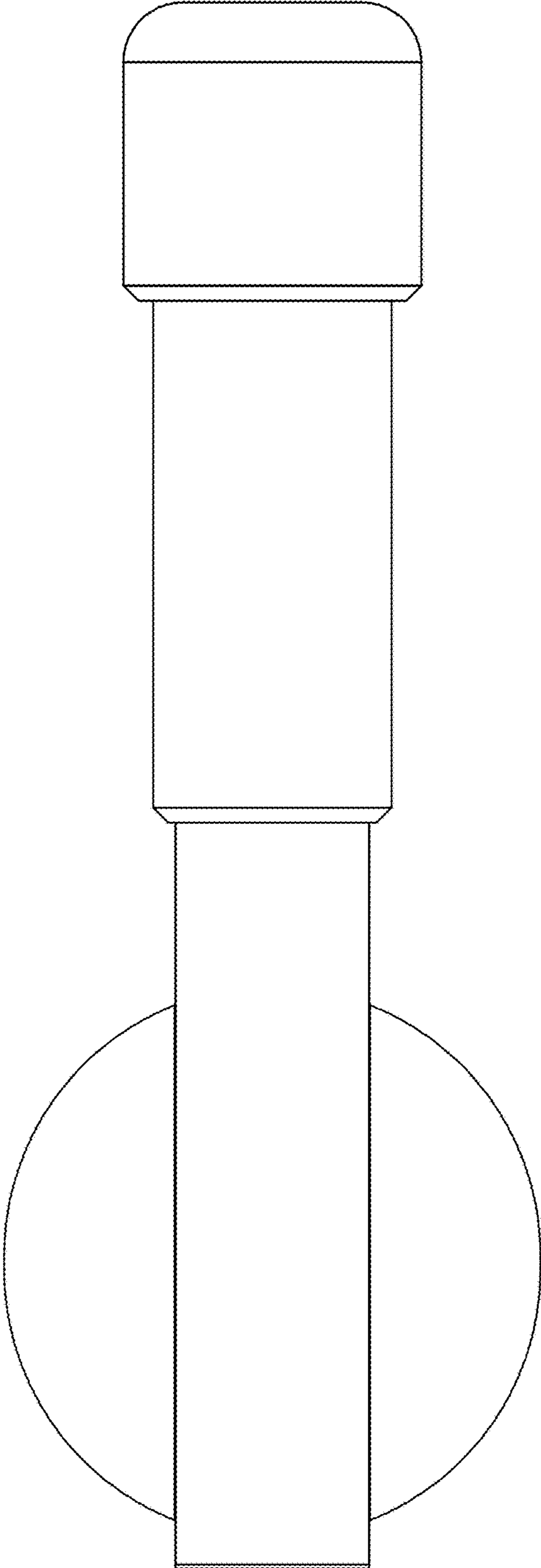


FIG. 3

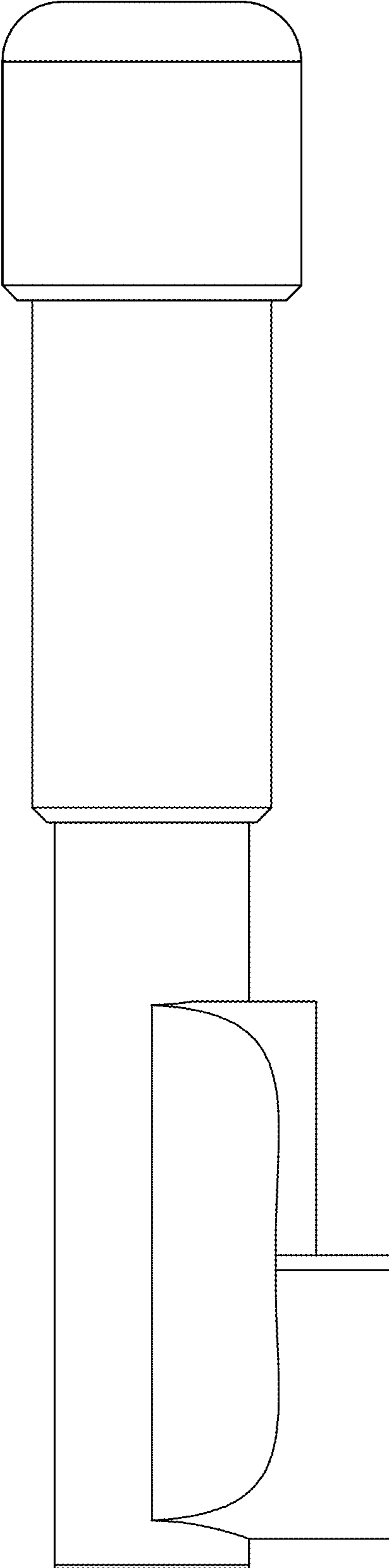


FIG. 4

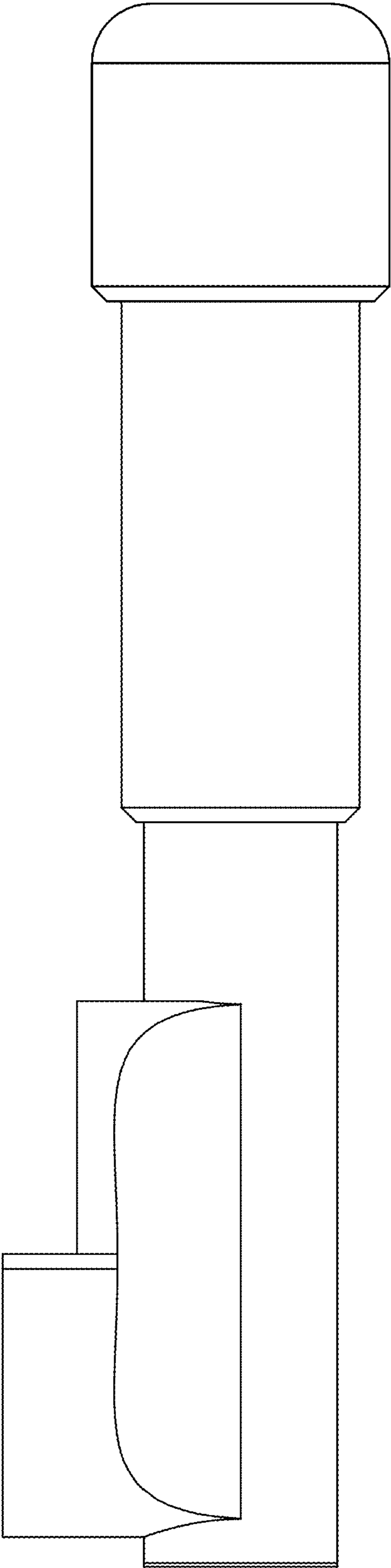


FIG. 5

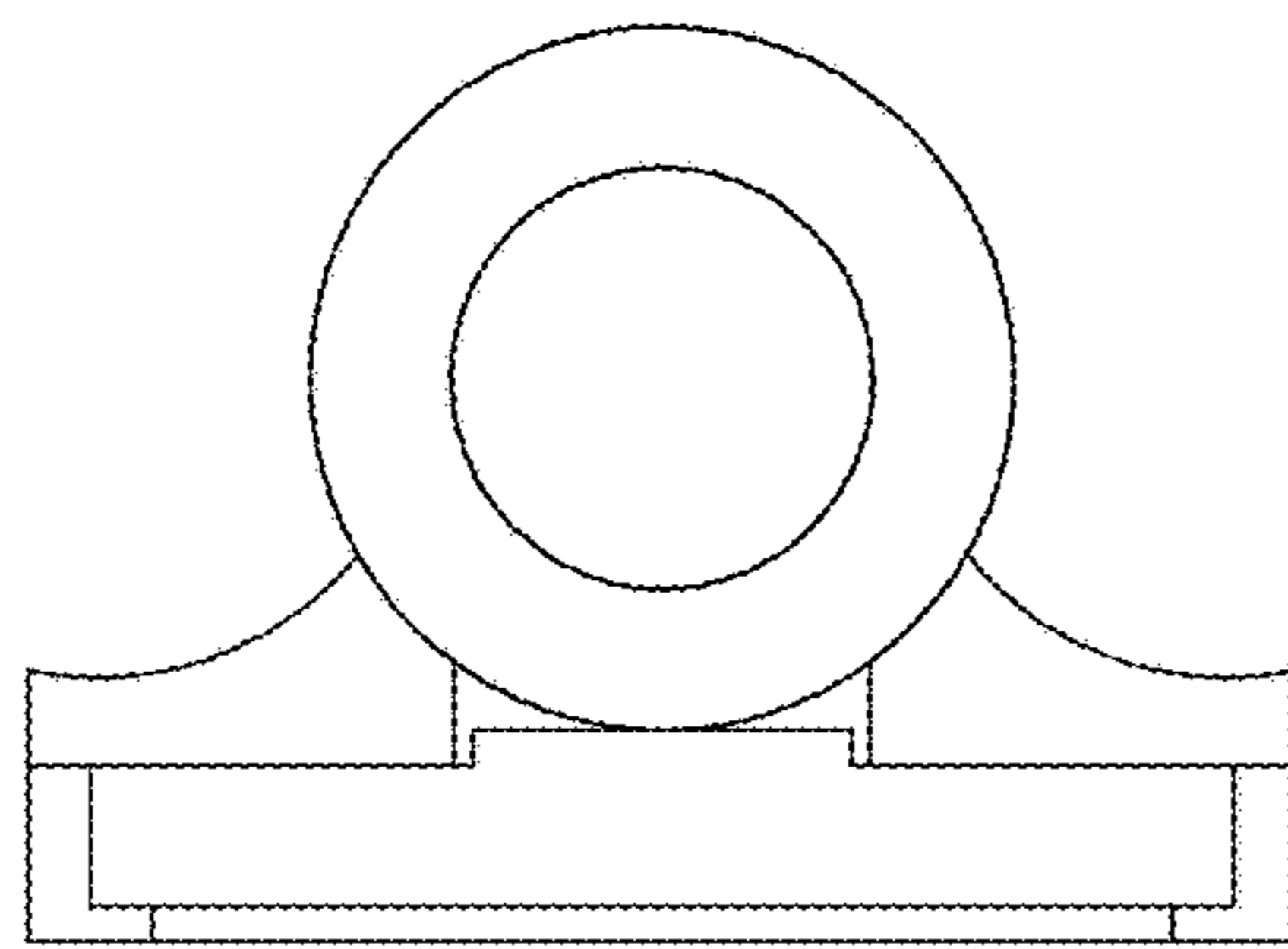


FIG. 6

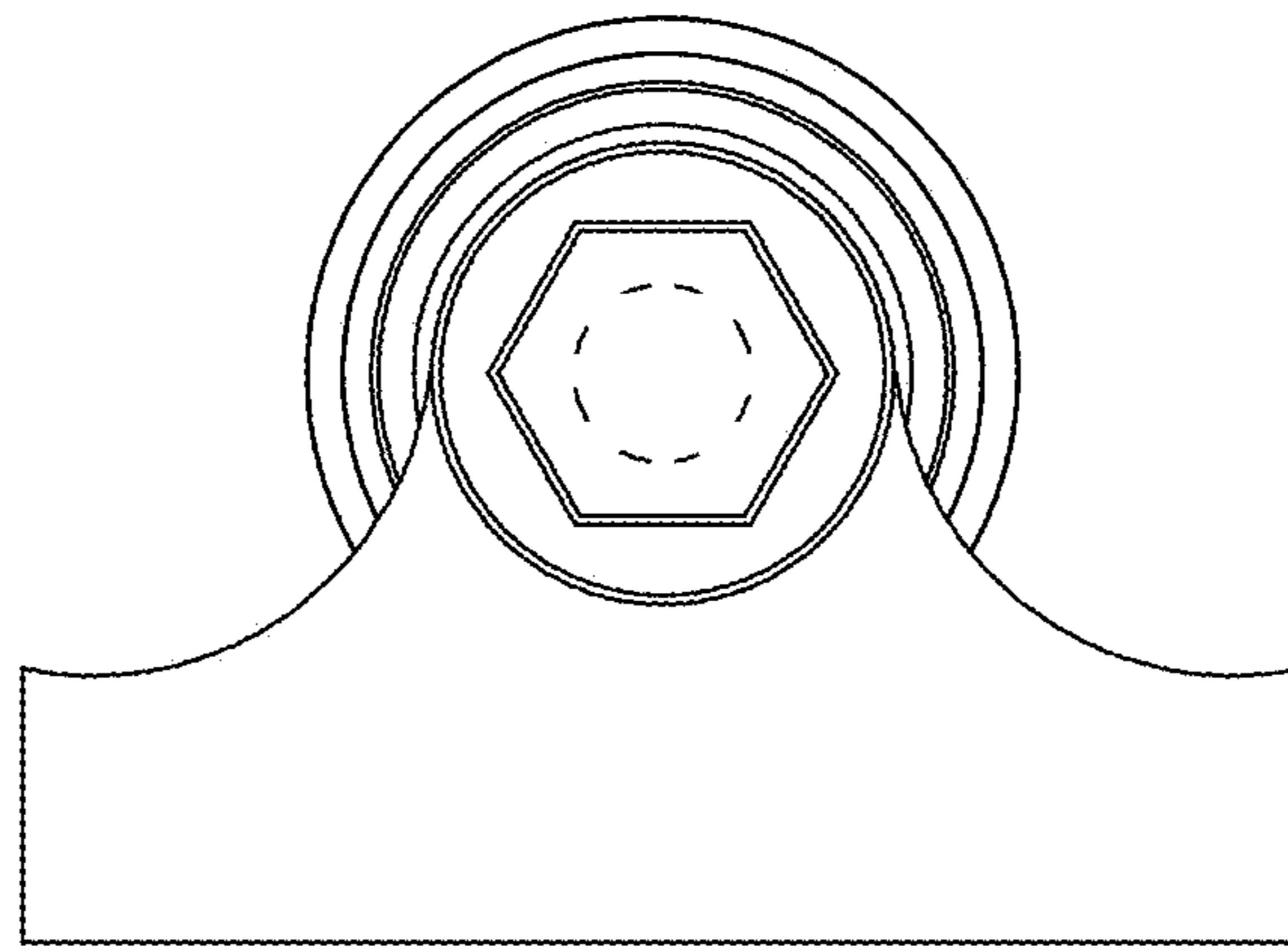


FIG. 7

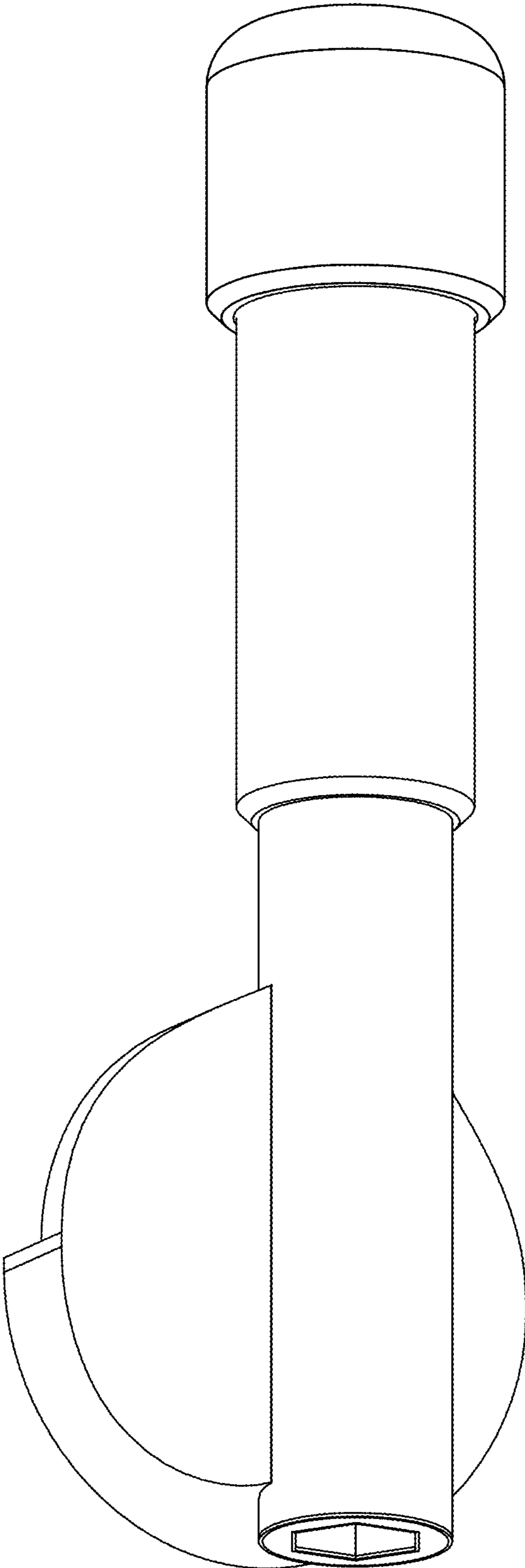


FIG. 8