



US00D801112S

(12) **United States Design Patent** (10) **Patent No.:** **US D801,112 S**  
**Struggl** (45) **Date of Patent:** **\*\* Oct. 31, 2017**

(54) **BEVERAGE MACHINE**

(56) **References Cited**

(71) Applicant: **ASCENDO MEDIENAGENTUR AG,**  
Gambrin-Bendern (LI)

U.S. PATENT DOCUMENTS

(72) Inventor: **Ewald Struggl,** Mauren (LI)

D596,441	S	*	7/2009	Cahen	.....	D7/309
D602,303	S	*	10/2009	Cahen	.....	D7/309
D618,950	S	*	7/2010	Jaffe	.....	D7/306
D644,058	S	*	8/2011	Cahen	.....	D7/306
D649,392	S	*	11/2011	Cahen	.....	D7/306
D666,051	S	*	8/2012	de Pra	.....	D7/309
D674,232	S	*	1/2013	Lavy	.....	D7/309
D674,233	S	*	1/2013	Lavy	.....	D7/309
D690,150	S	*	9/2013	Cahen	.....	D7/309
D695,560	S	*	12/2013	Cahen	.....	D7/309
8,839,832	B2	*	9/2014	Cahen	.....	A47B 81/00 141/346
D724,369	S	*	3/2015	Cahen	.....	D7/309
8,973,485	B2	*	3/2015	Krauchi	.....	A47J 31/4403 99/279
D728,987	S	*	5/2015	Cahen	.....	D7/309
D740,599	S	*	10/2015	Luippold	.....	D7/306
D743,199	S	*	11/2015	Bardazzi	.....	D7/309
D755,000	S	*	5/2016	Lovati	.....	D7/306
D756,696	S	*	5/2016	Murphy	.....	D7/306
D777,498	S	*	1/2017	Bandixen	.....	D7/306

(73) Assignee: **ASCENDO MEDIENAGENTUR AG,**  
Gambrin-Bendern (LI)

(\*\*) Term: **15 Years**

(21) Appl. No.: **29/533,474**

(22) Filed: **Jul. 17, 2015**

(30) **Foreign Application Priority Data**

Jan. 19, 2015	(EM)	.....	002615930-0001
Jan. 19, 2015	(EM)	.....	002615930-0002
Jan. 19, 2015	(EM)	.....	002615930-0003
Jan. 19, 2015	(EM)	.....	002615930-0004
Jan. 19, 2015	(EM)	.....	002615930-0005

\* cited by examiner

(51) **LOC (10) Cl.** ..... **07-99**

*Primary Examiner* — Marianne Pandozzi

(52) **U.S. Cl.**  
USPC ..... **D7/397**

(74) *Attorney, Agent, or Firm* — McGlew and Tuttle, P.C.

(58) **Field of Classification Search**  
USPC ..... D7/306-311, 305, 300, 397, 398, 399,  
D7/400; 99/279, 284, 290, 280, 299,  
99/307, 297, 295, 323, 275, 281, 300,  
99/302 R, 282, 288; 426/433; D20/4, 5,  
D20/1  
CPC .. A47J 31/44; A47J 31/00; A47J 31/46; A47J  
31/10; A47J 31/56; A47J 31/42; A47J  
431/4482; A47J 27/2105; A47J 31/4403;  
A47J 31/32; A47J 31/4457; A47J 31/52;  
A47J 31/0573; A47J 31/545; A47J  
31/4467; B65D 81/3266

(57) **CLAIM**

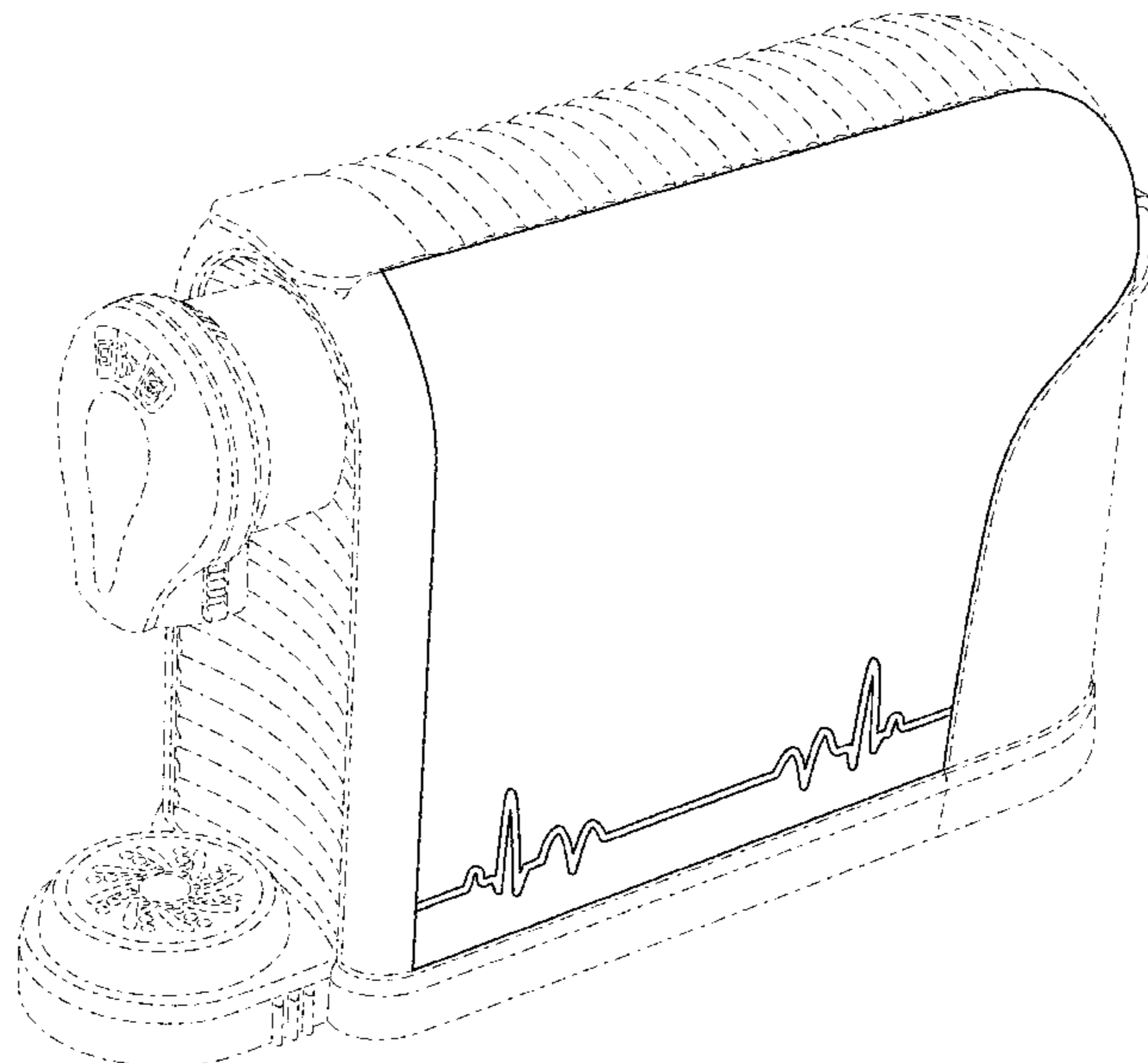
The ornamental design for a beverage machine, as shown and described.

**DESCRIPTION**

FIG. 1 is a perspective view of a beverage machine showing my new design; and,  
FIG. 2 is a side view thereof.  
The broken lines in the drawings depict portions of the beverage machine that form no part of the claimed design.

See application file for complete search history.

**1 Claim, 2 Drawing Sheets**



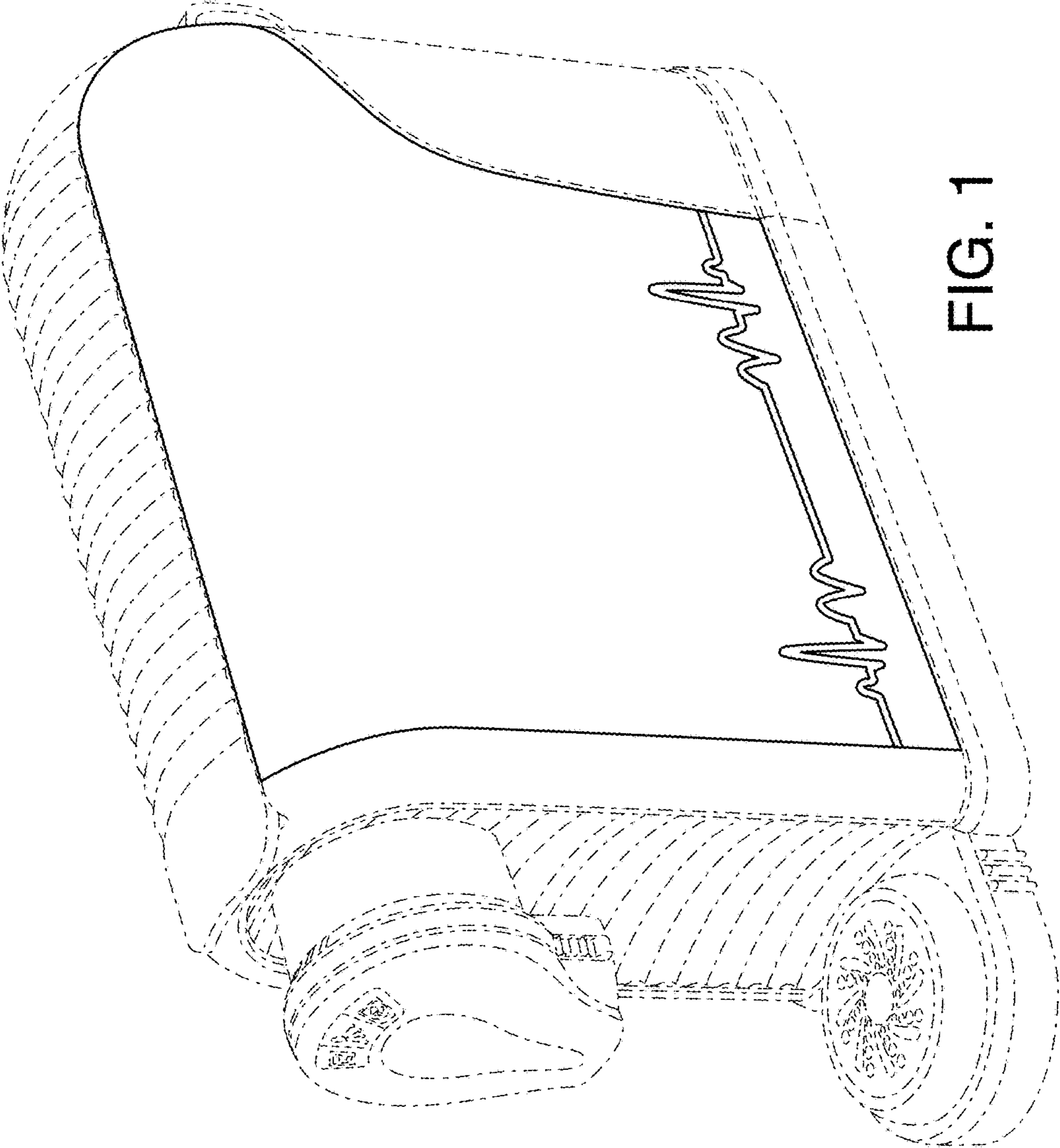


FIG. 1

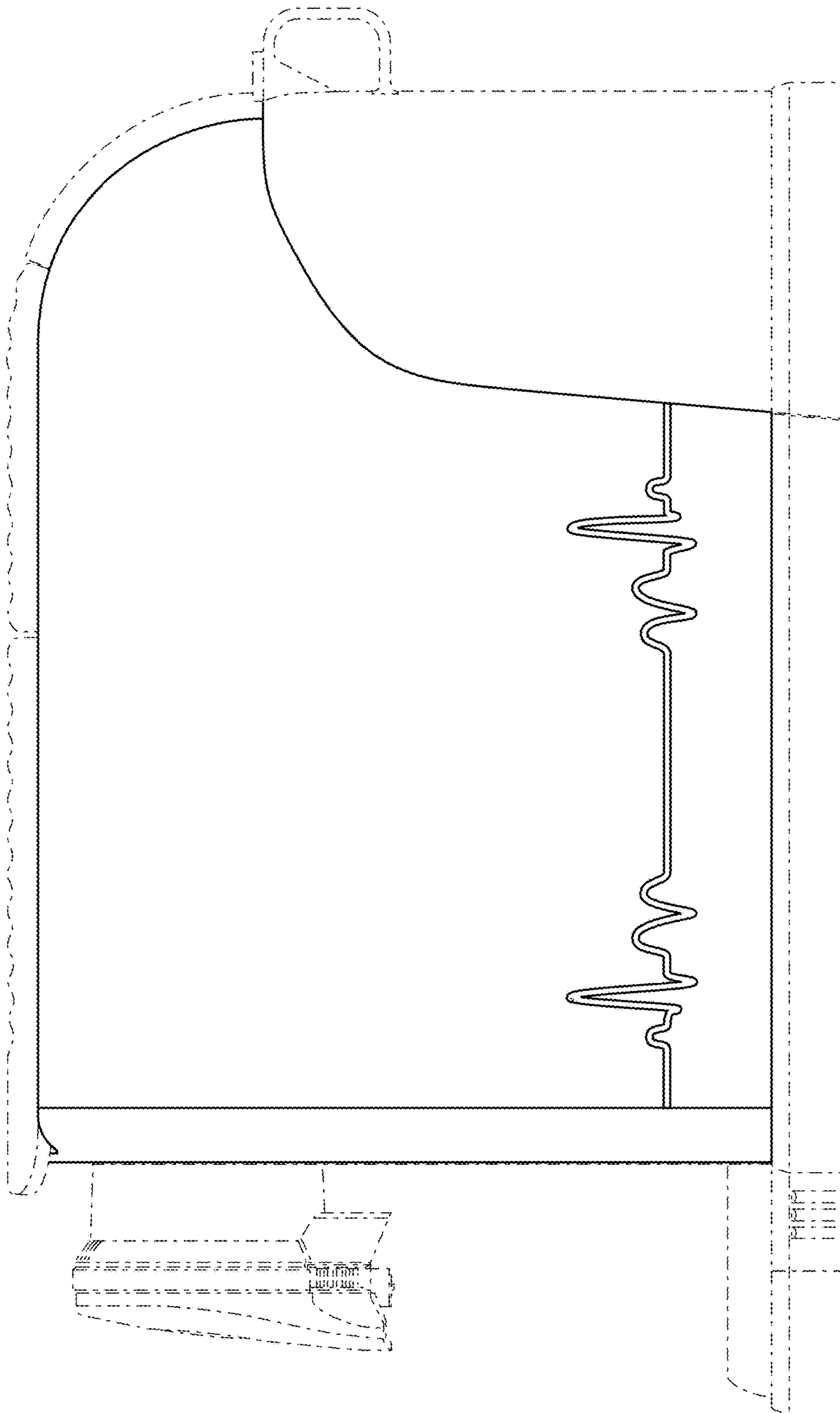


FIG. 2