



US00D801111S

(12) **United States Design Patent** (10) **Patent No.:** **US D801,111 S**
Eyal (45) **Date of Patent:** **** Oct. 31, 2017**

(54) **BEVERAGE CONTAINER LID**

OTHER PUBLICATIONS

(71) Applicant: **ETS EXPRESS, INC.**, Oxnard, CA (US)

“Takeya Originals Insulated Stainless Steel Water Bottle”. Found online Jun. 9, 2017 at amazon.com. Page dated Nov. 19, 2015. Retrieved from https://www.amazon.com/Takeya-Originals-Insulated-Stainless-Bottle/dp/B0188QBELG/ref=cm_cr_ar_p_d_product_top?ie=UTF8.*

(72) Inventor: **Sharon Eyal**, Oxnard, CA (US)

“7 Trendy Drinkware Items”. Found online May 24, 2017 at asicentral.com. Page dated Dec. 23, 2016. Retrieved from <https://www.asicentral.com/news/web-exclusive/december-2016/7-trendy-drinkware-items/>.*

(73) Assignee: **ETS EXPRESS, INC.**, Oxnard, CA (US)

“Nomader Collapsible Water Bottle”. Found online Jun. 9, 2017 at amazon.com. Page dated Dec. 7, 2015. Retrieved from https://www.amazon.com/Nomader-Collapsible-Sports-Water-Bottle/dp/B016AX6PEK/ref=cm_cr_ar_p_d_product_top?ie=UTF8.*

(**) Term: **15 Years**

“H2GO Surge Aluminum Sport Bottle”. Found online May 24, 2017 at 4imprint.com. Page dated Oct. 2012. Retrieved from <https://www.4imprint.com/product/115226-M/h2go-Surge-Aluminum-Sport-Bottle-28-oz-Matte>.*

(21) Appl. No.: **29/568,118**

* cited by examiner

(22) Filed: **Jun. 15, 2016**

(51) **LOC (10) Cl.** **07-01**

(52) **U.S. Cl.**

USPC **D7/392.1**; D9/449

(58) **Field of Classification Search**

USPC D7/391, 392, 392.1, 396.1, 396.2, 397, D7/398, 509, 510, 511, 543; D9/435, D9/436, 438, 447, 449, 450; D10/46.2, D10/46.3

CPC B65D 47/305; B65D 41/16; B65D 47/06
See application file for complete search history.

Primary Examiner — Robert M. Spear

Assistant Examiner — Kendra L Hamilton

(74) *Attorney, Agent, or Firm* — Kleinberg & Lerner, LLP; Marvin H. Kleinberg; Marshall A. Lerner

(56) **References Cited**

(57) **CLAIM**

The ornamental design for a beverage container lid, as shown and described.

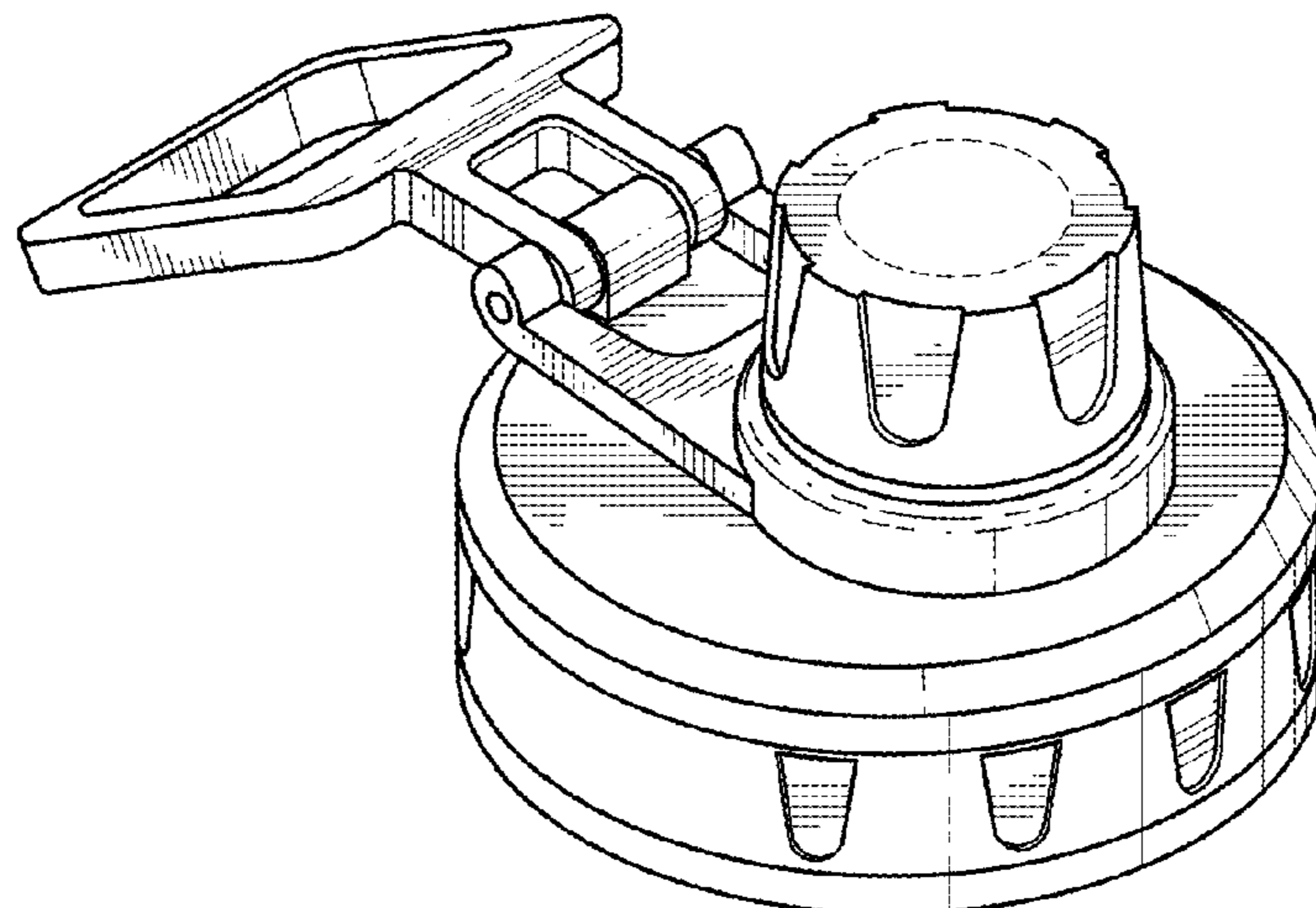
U.S. PATENT DOCUMENTS

DESCRIPTION

D461,361 S *	8/2002	Orr	D7/392.1
D630,044 S *	1/2011	Lane	D7/392.1
D657,994 S *	4/2012	Wahl	D7/392
D675,059 S *	1/2013	Carreno	D7/392.1
D679,541 S *	4/2013	Samartgis	D7/392.1
D686,870 S *	7/2013	Young	D7/392.1
D747,136 S *	1/2016	Lane	D7/396.2
D758,127 S *	6/2016	Zhao	D7/392.1
D758,790 S *	6/2016	Boroski	D7/392.1
D758,800 S *	6/2016	Hayslett	D7/511
2015/0041500 A1 *	2/2015	Ismail	A47G 19/34 222/434
2017/0107023 A1 *	4/2017	Miksovsky	B65D 47/122
2017/0129665 A1 *	5/2017	Rolfes	B65D 51/2821

FIG. 1 is a front top left perspective view of a beverage container lid showing my new design; FIG. 2 is a front elevational view thereof; FIG. 3 is a rear elevational view thereof; FIG. 4 is a left side elevational view thereof; FIG. 5 is a right side elevational view thereof; FIG. 6 is a top plan view thereof; and, FIG. 7 is a bottom plan view thereof. The broken lines in the drawings represent the boundaries of the claimed design.

1 Claim, 3 Drawing Sheets



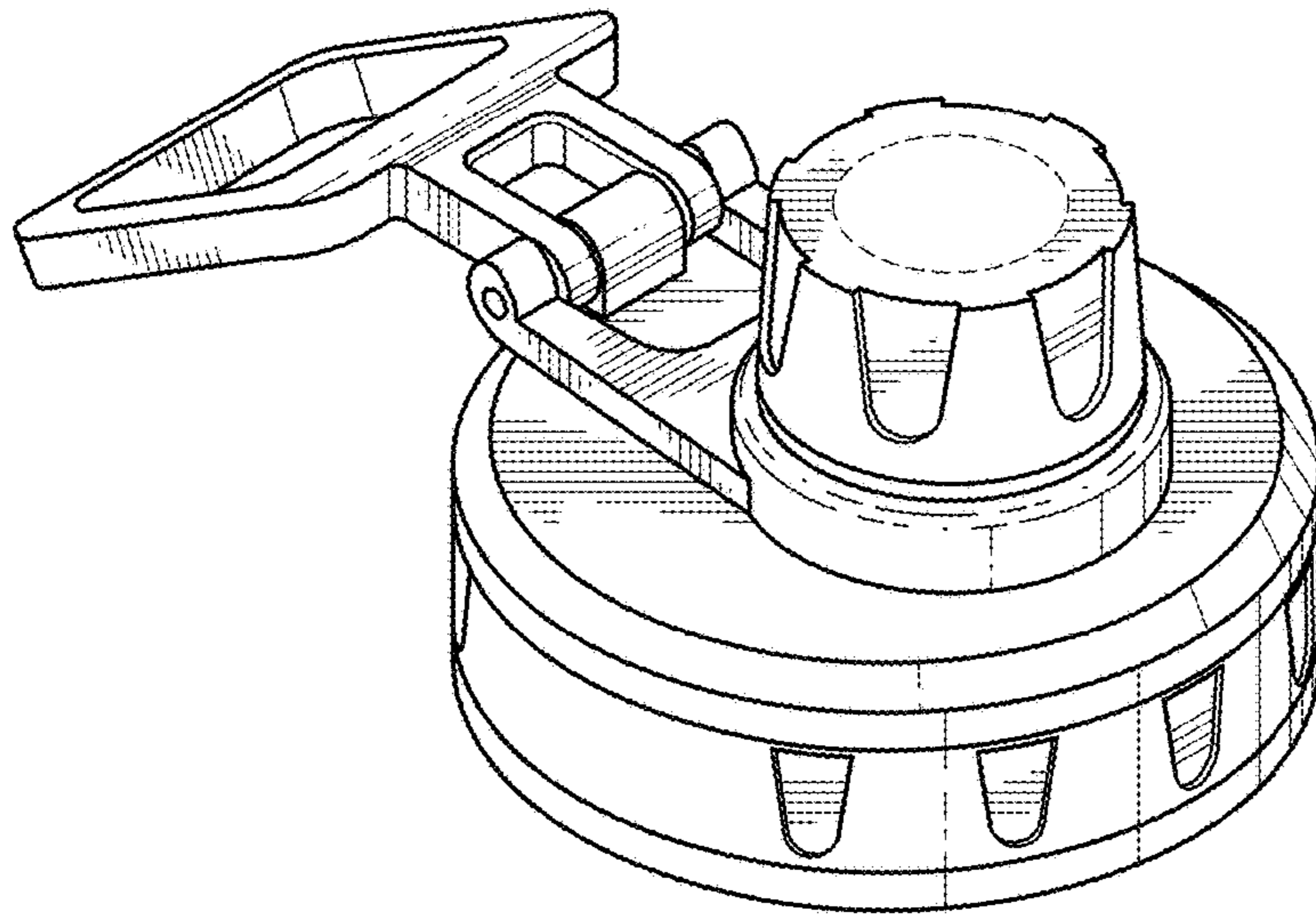


FIG. 1

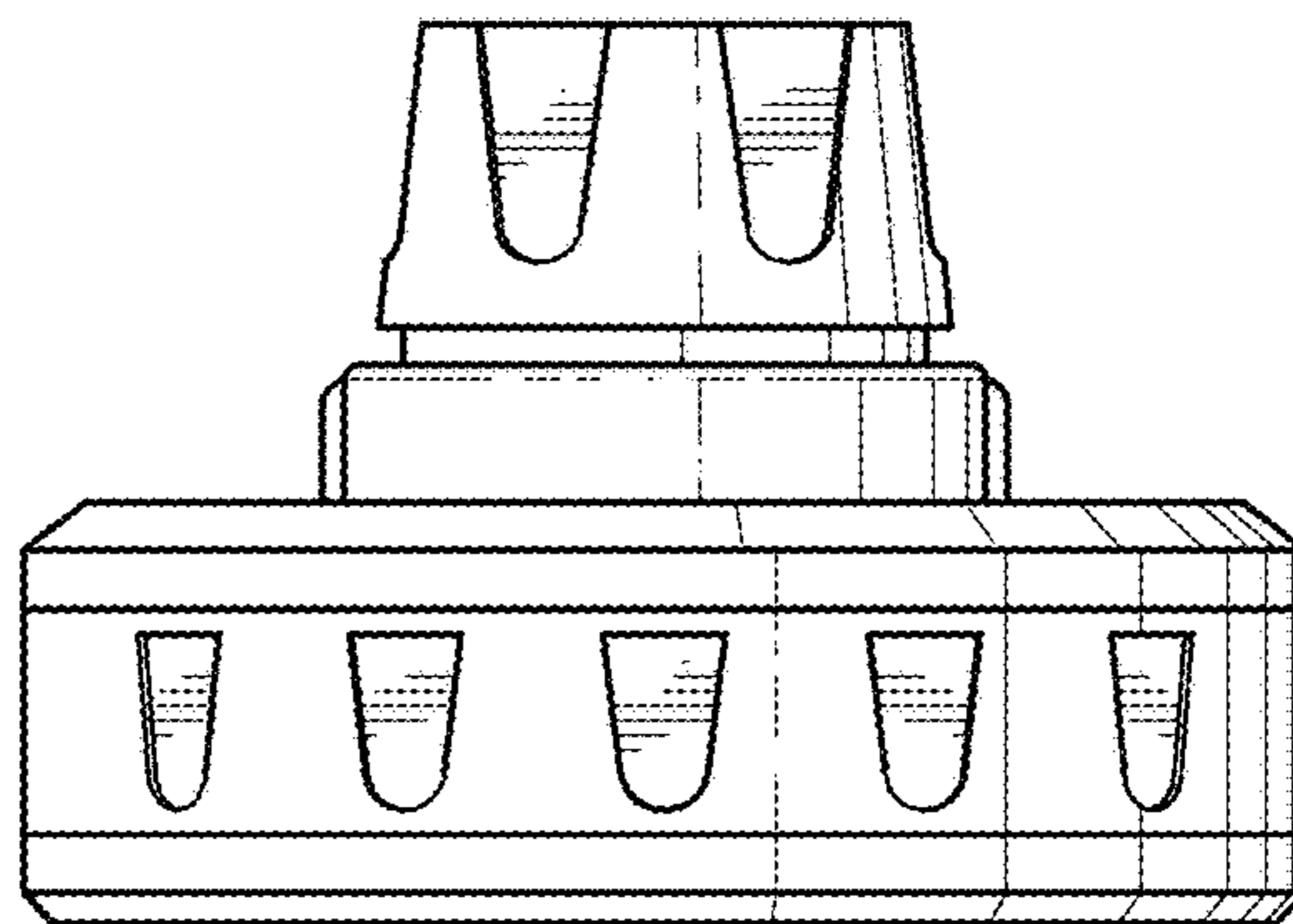


FIG. 2

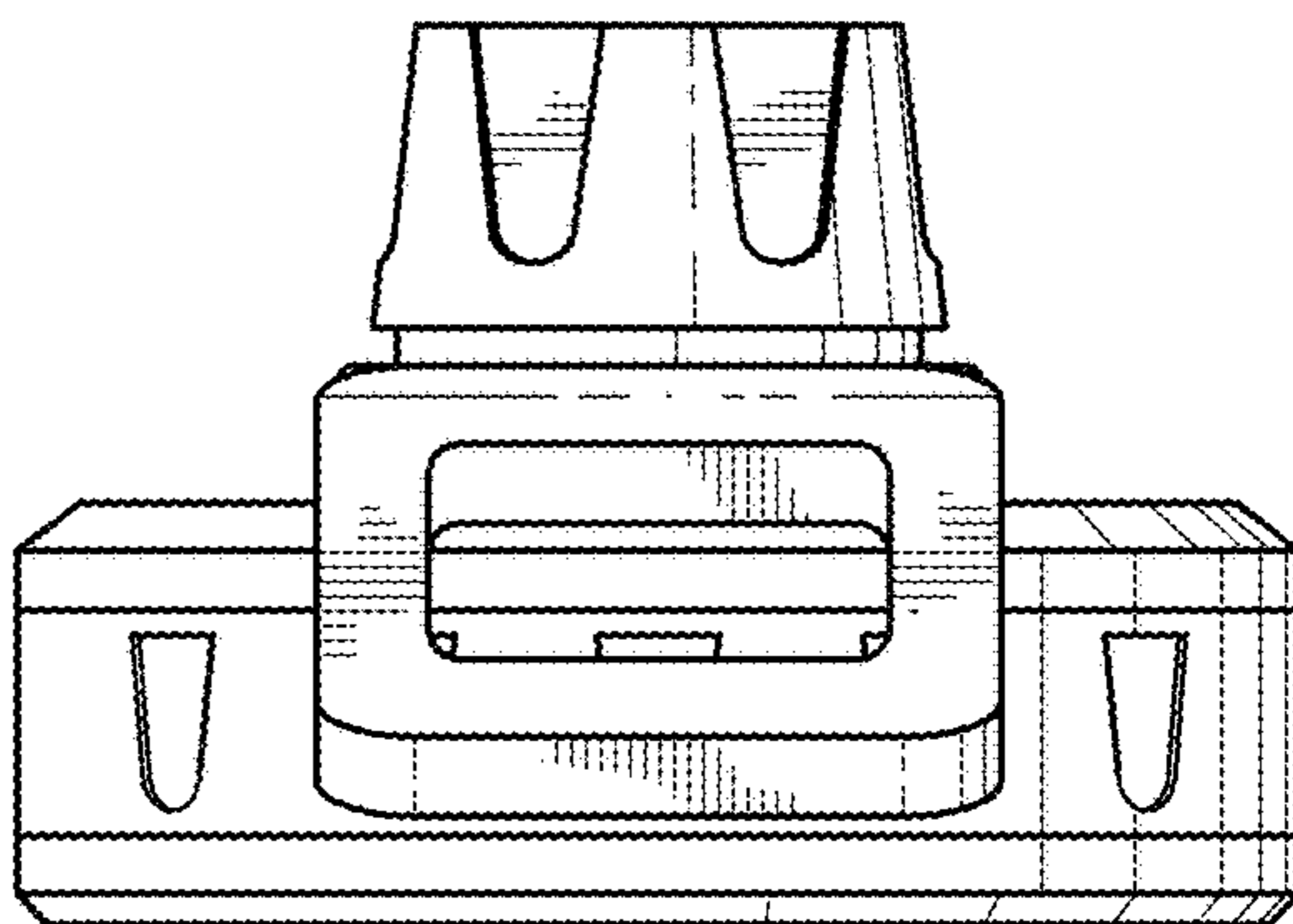


FIG. 3

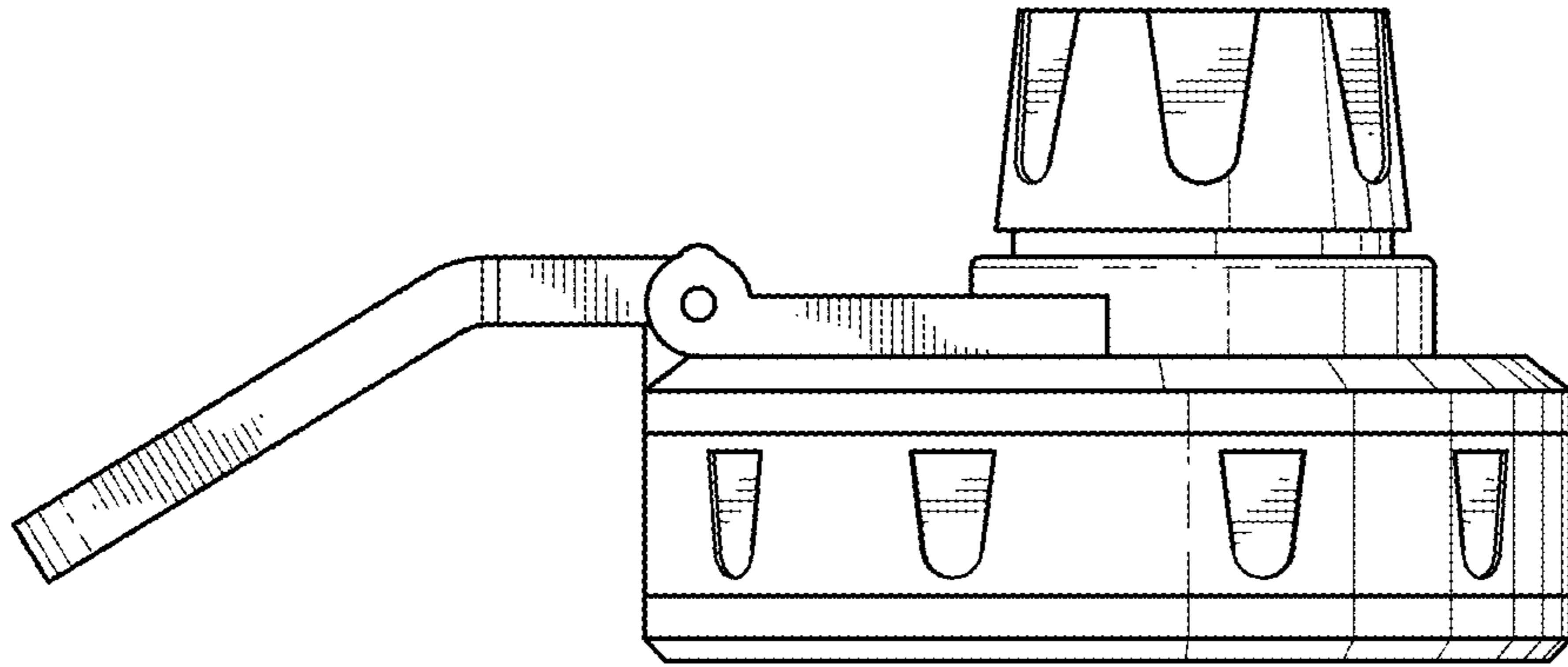


FIG. 4

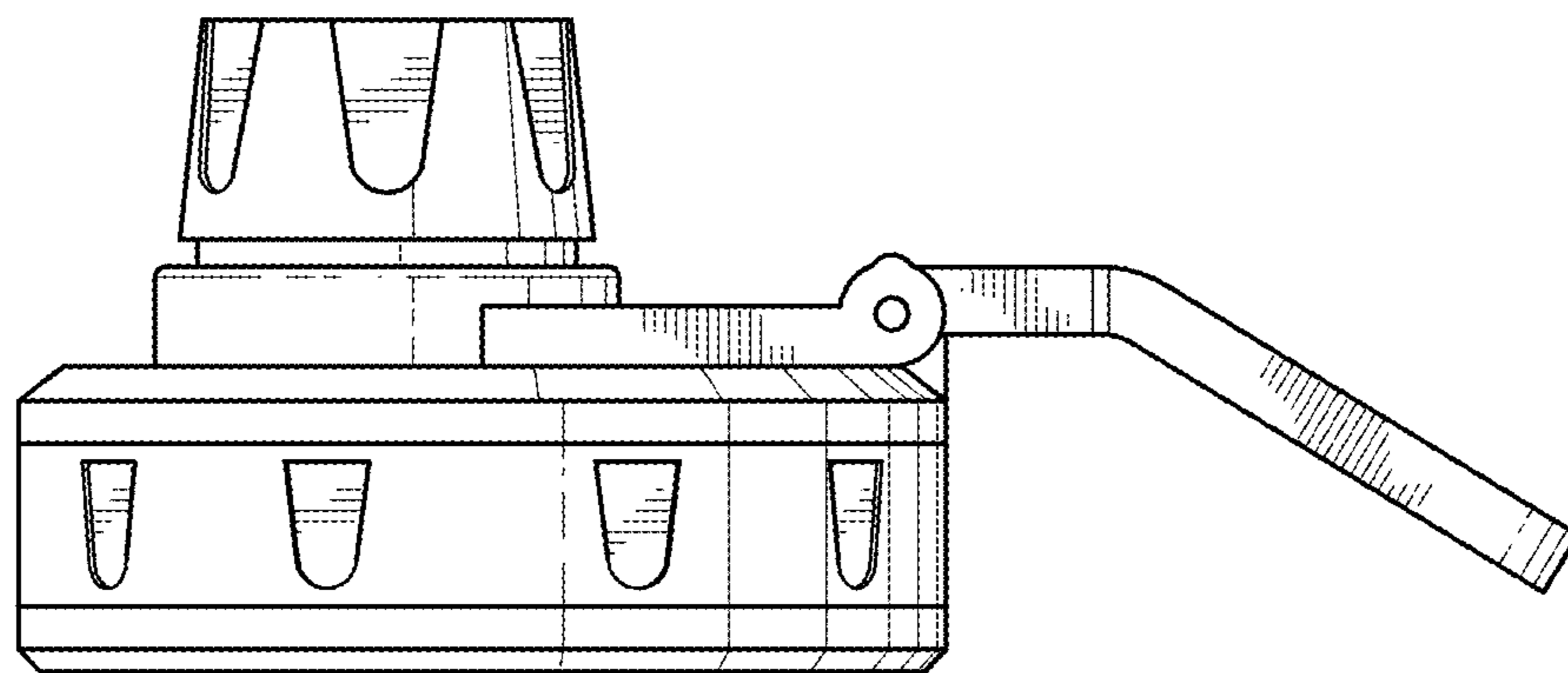


FIG. 5

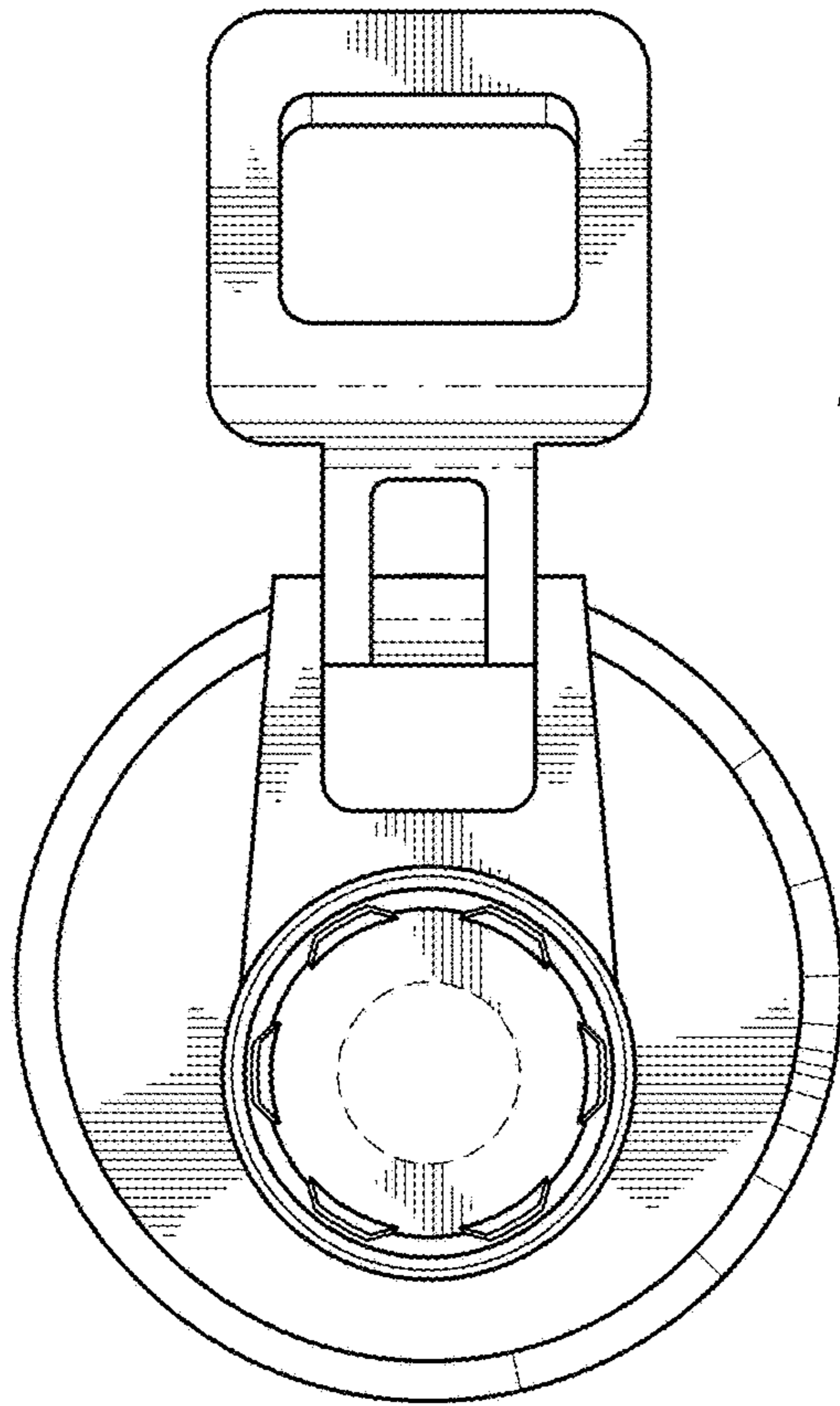


FIG. 6

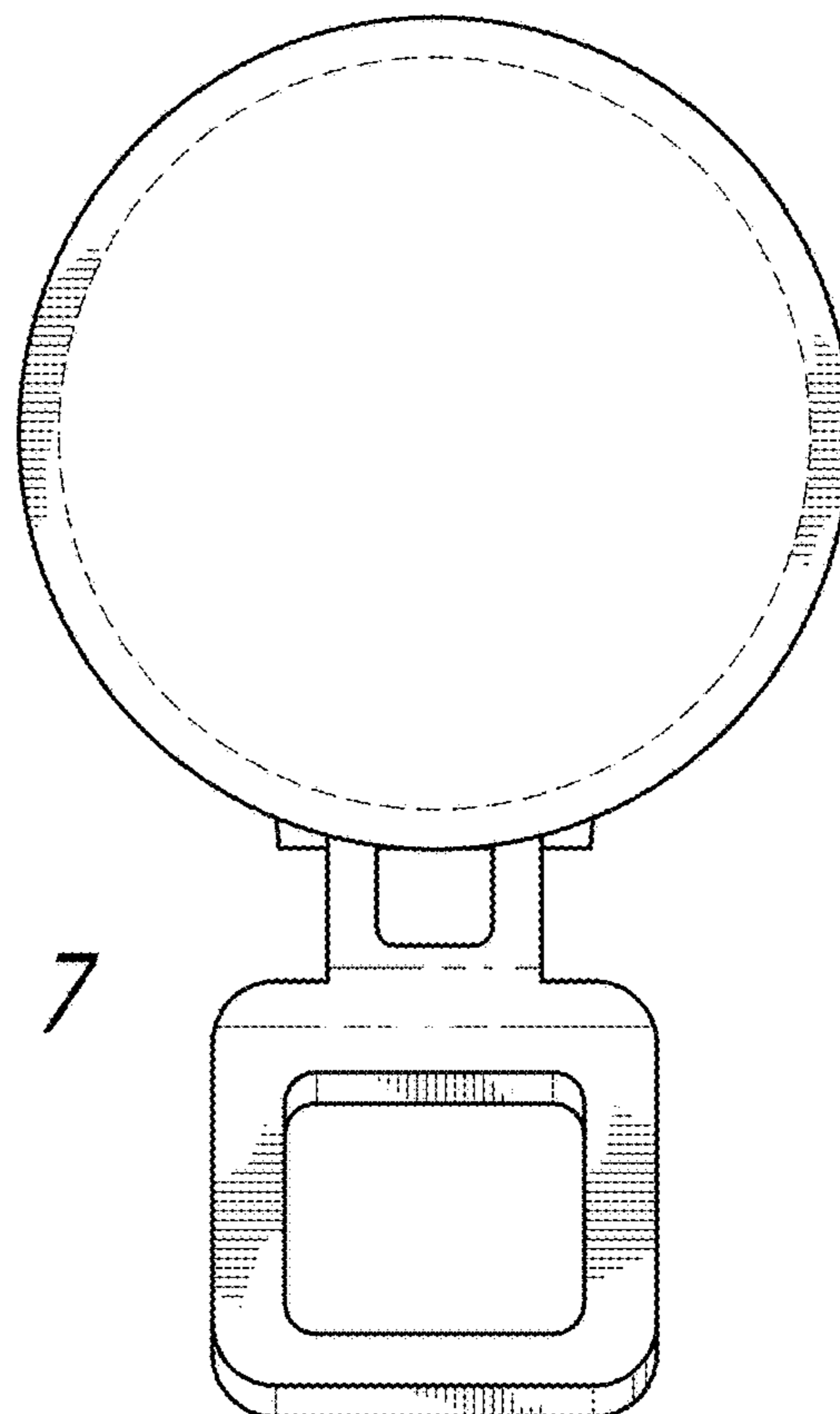


FIG. 7