



US00D801109S

(12) **United States Design Patent** (10) **Patent No.:** **US D801,109 S**
Lee (45) **Date of Patent:** **** Oct. 31, 2017**

(54) **BASE FOR A FOOD PROCESSOR**
(71) Applicant: **Wen-Ching Lee**, Taichung (TW)
(72) Inventor: **Wen-Ching Lee**, Taichung (TW)
(**) Term: **15 Years**
(21) Appl. No.: **29/549,918**
(22) Filed: **Dec. 29, 2015**
(30) **Foreign Application Priority Data**
Jun. 30, 2015 (HK) 1501409
(51) **LOC (10) Cl.** **31-00**
(52) **U.S. Cl.**
USPC **D7/386; D7/376; D7/378**
(58) **Field of Classification Search**
USPC D7/316, 323, 372-381, 383-384,
D7/386-387, 393, 402-415, 602, 629,
D7/694
CPC .. A21C 1/02; A21C 1/04; A47J 43/044; A47J
43/046; A47J 43/075; A47J 43/0722;
A47J 43/0727; A47J 43/07; A23N 1/00;
A23N 1/02; B01F 3/00
See application file for complete search history.

D525,482 S * 7/2006 Kassenaar D7/378
D533,020 S * 12/2006 Kassenaar D7/378
D543,072 S * 5/2007 Ting D7/378
D568,096 S * 5/2008 Sun D7/378
D578,340 S * 10/2008 Picozza D7/378
D613,550 S * 4/2010 Picozza D7/378
D616,244 S * 5/2010 Thai D7/378
D629,643 S * 12/2010 Bower D7/376
D630,467 S * 1/2011 Harrod D7/372
D642,858 S * 8/2011 Lazzer D7/376
D667,259 S * 9/2012 Lee D7/376
D711,682 S * 8/2014 Norland D7/376
D731,234 S * 6/2015 Weaden D7/376
D731,235 S * 6/2015 Bradley D7/376
D742,683 S * 11/2015 Kim D7/376
D745,340 S * 12/2015 Lee D7/412
D747,135 S * 1/2016 Ha D7/376
D755,004 S * 5/2016 Bock D7/376
D758,787 S * 6/2016 Ou D7/376
D765,462 S * 9/2016 Davies D7/376

(Continued)

Primary Examiner — Caron D Veynar
Assistant Examiner — Mehri Bajoul
(74) *Attorney, Agent, or Firm* — Muncy, Geissler, Olds & Lowe, P.C.

(57) **CLAIM**

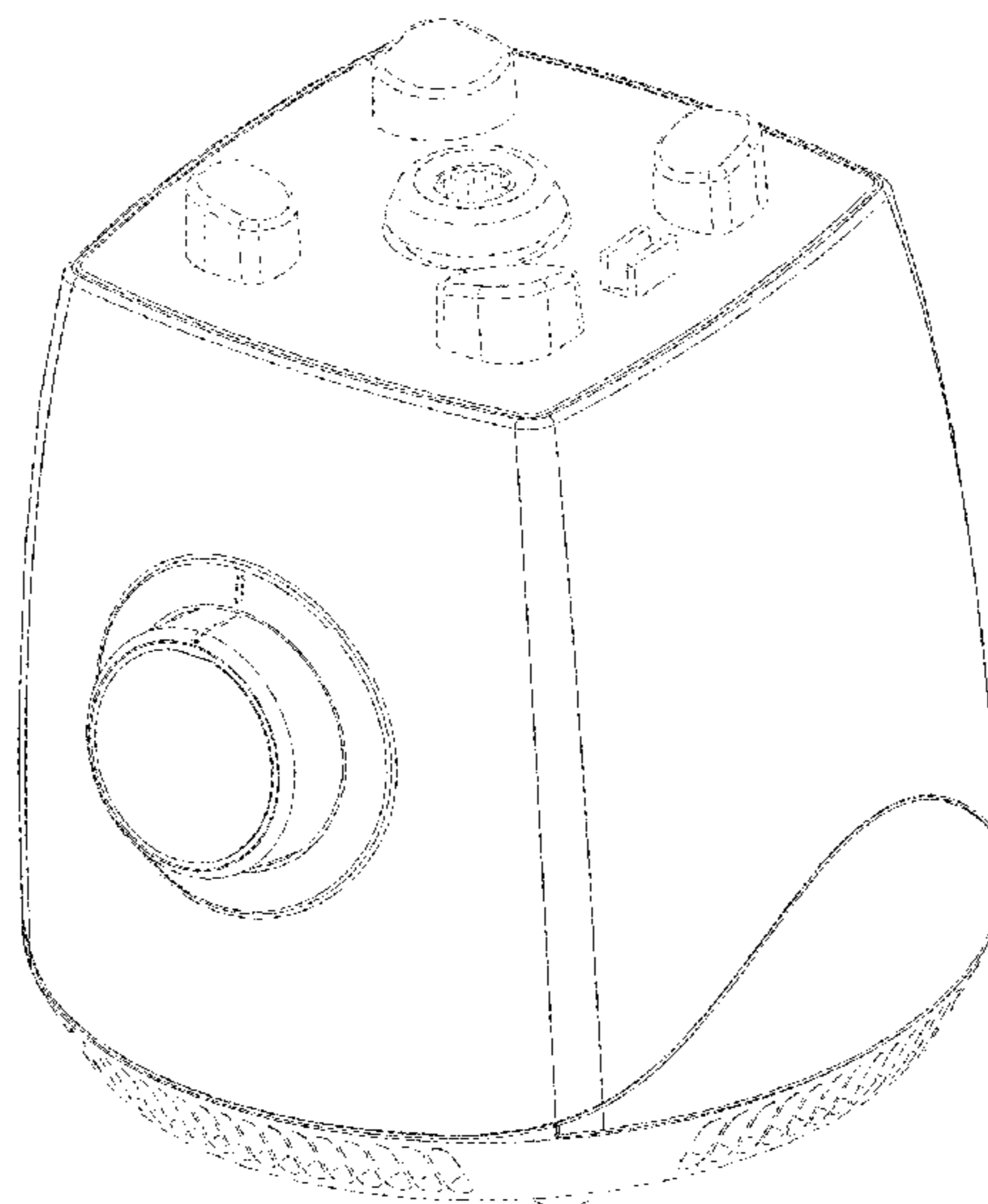
The ornamental design for a base for a food processor, as shown.

DESCRIPTION

FIG. 1 is a perspective view of the present design;
FIG. 2 is a front view of the present design;
FIG. 3 is a rear view of the present design;
FIG. 4 is a left side view of the present design;
FIG. 5 is a right side view of the present design;
FIG. 6 is a top view of the present design; and,
FIG. 7 is a bottom view of the present design.
In the drawings, the broken lines depict portions of the design but form no part of the claimed design.

1 Claim, 7 Drawing Sheets

(56) **References Cited**
U.S. PATENT DOCUMENTS
D176,257 S * 12/1955 Hill D7/378
D181,541 S * 11/1957 Madl et al. D7/378
D187,684 S * 4/1960 Hauser D7/378
D373,504 S * 9/1996 Leverrier D7/378
D394,986 S * 6/1998 Lallemand D7/378
D423,872 S * 5/2000 Blaise D7/378
D448,236 S * 9/2001 Murray D7/326
D448,967 S * 10/2001 Planca D7/378
D493,329 S * 7/2004 Feil D7/378
D502,358 S * 3/2005 Weaden D7/378
D512,265 S * 12/2005 McCurrach D7/378



(56)

References Cited

U.S. PATENT DOCUMENTS

D765,463 S * 9/2016 Affatato D7/376
D765,464 S * 9/2016 Affatato D7/376
D769,061 S * 10/2016 Diderotto D7/376
2008/0089170 A1* 4/2008 Larsen A47J 43/046
366/192
2016/0198881 A1* 7/2016 Lee A47J 19/00
99/495
2016/0256002 A1* 9/2016 Potter A47J 45/02

* cited by examiner

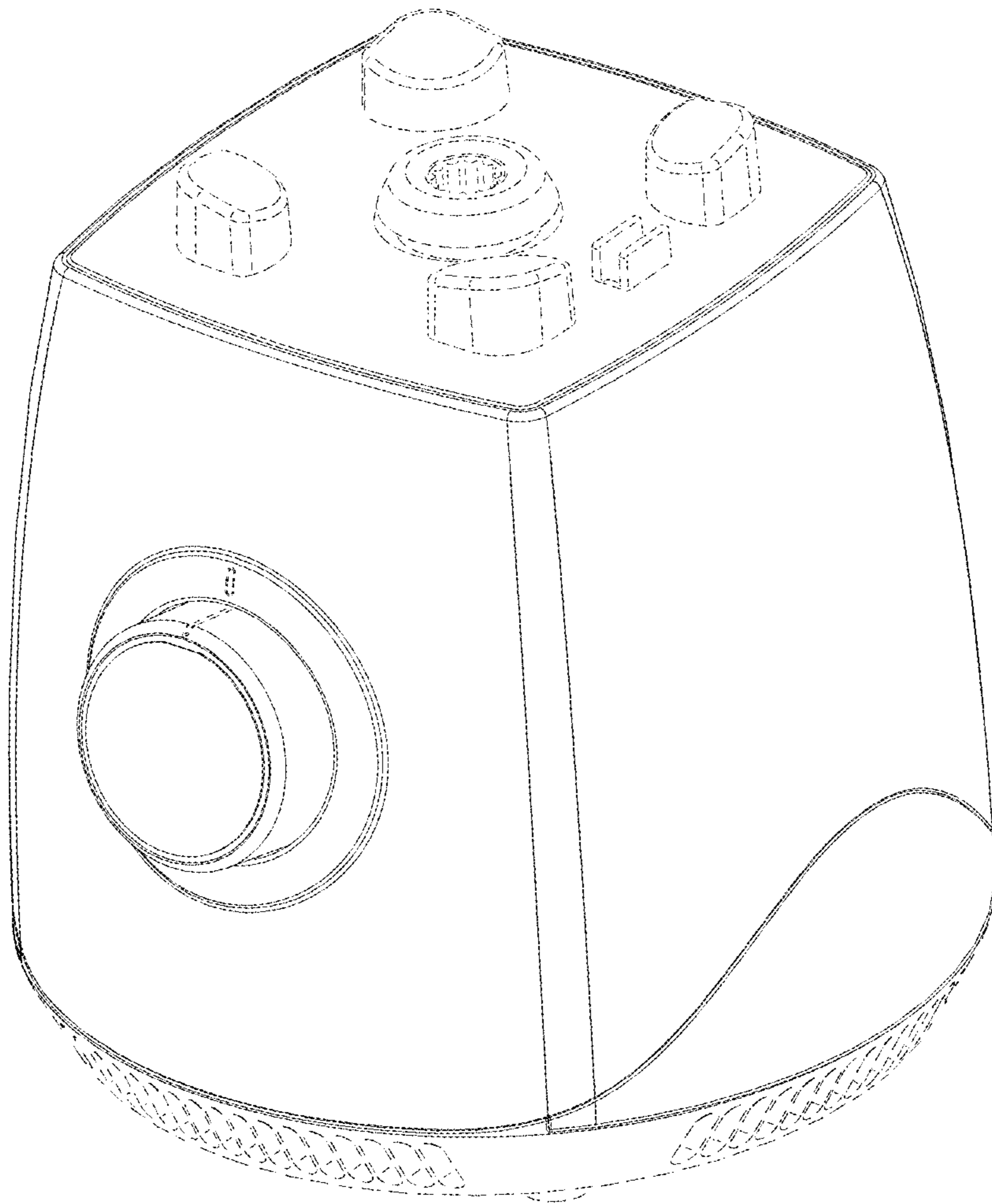


FIG. 1

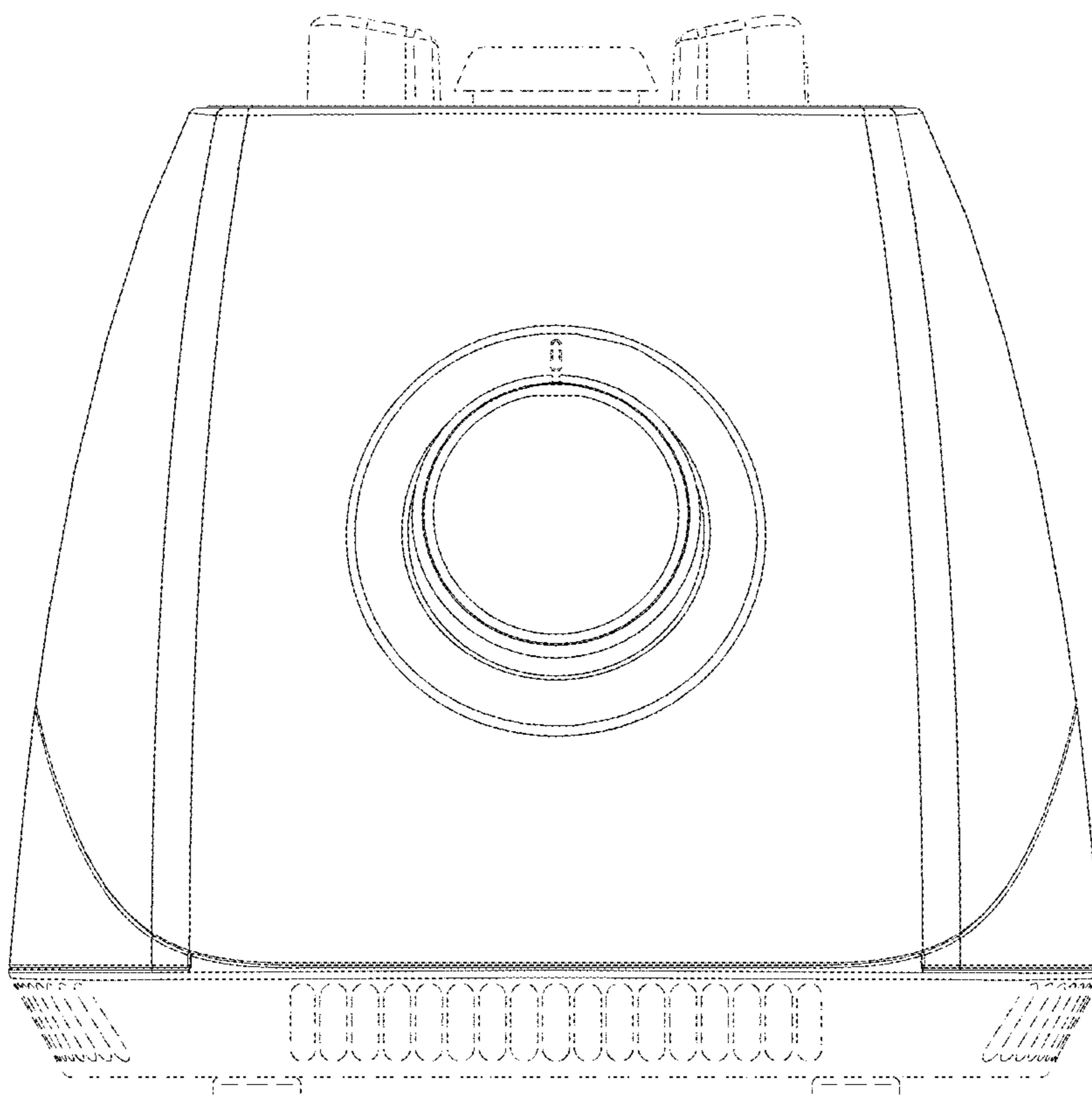


FIG. 2

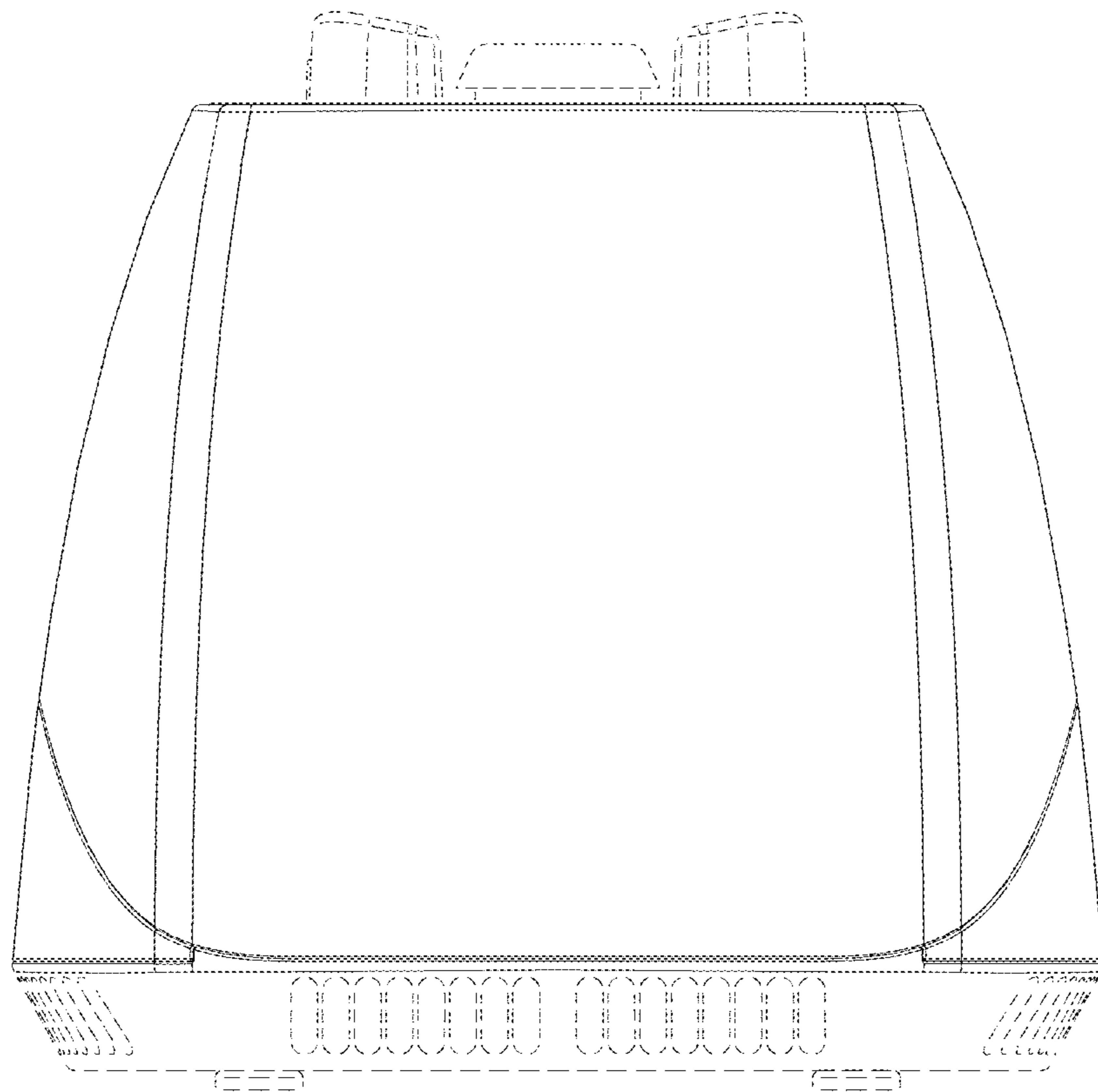


FIG. 3

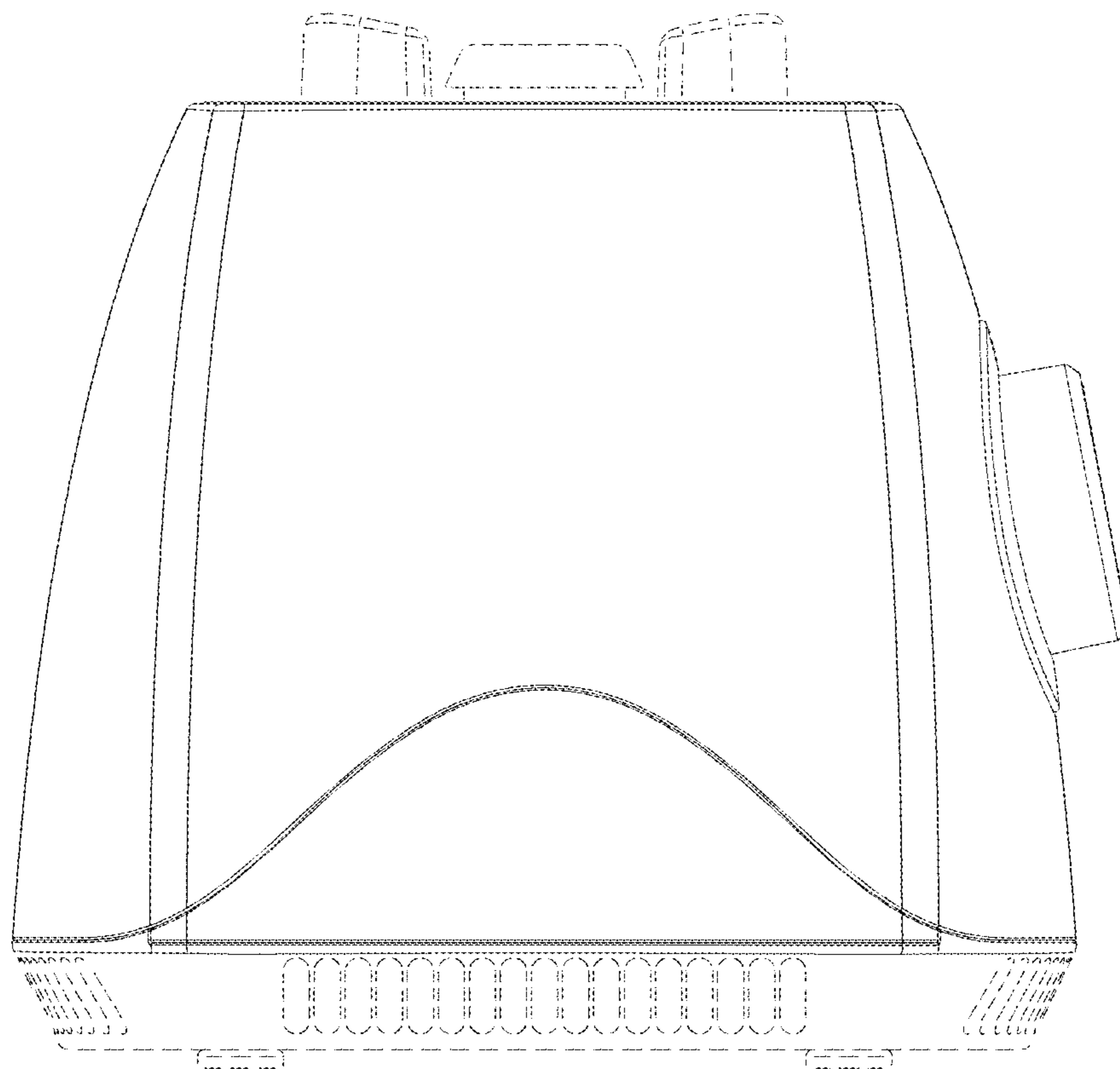


FIG. 4

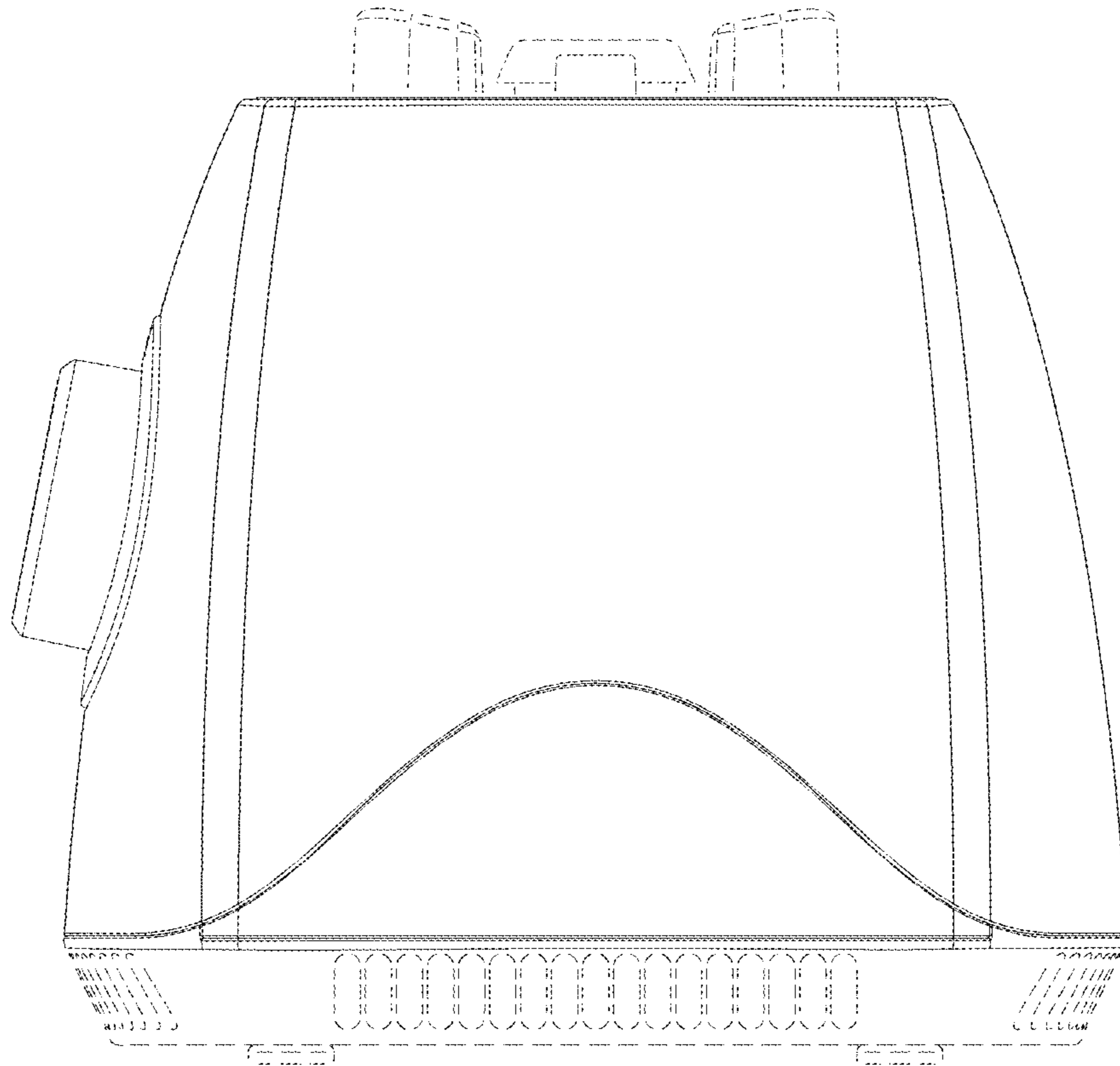


FIG. 5

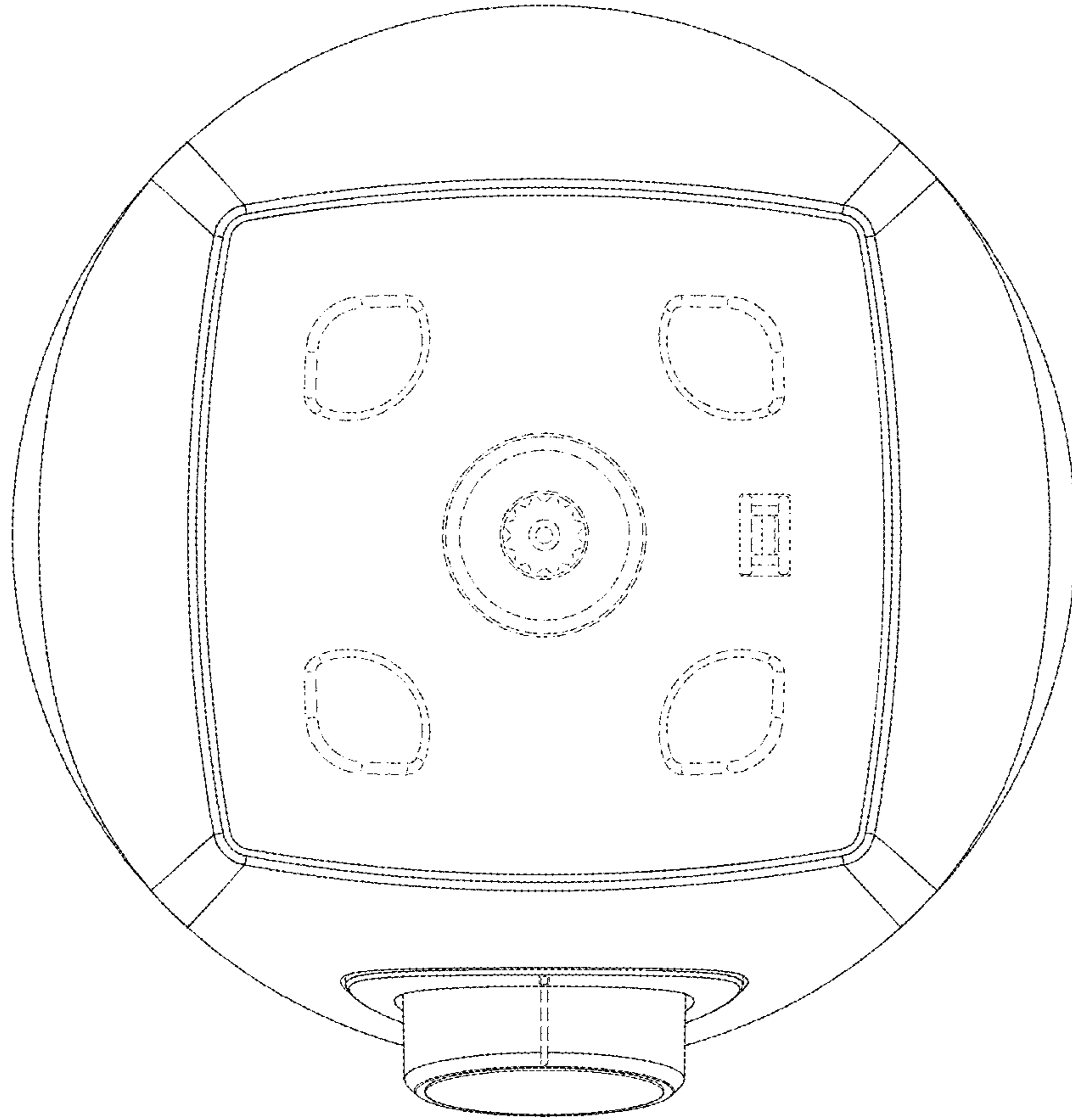


FIG. 6

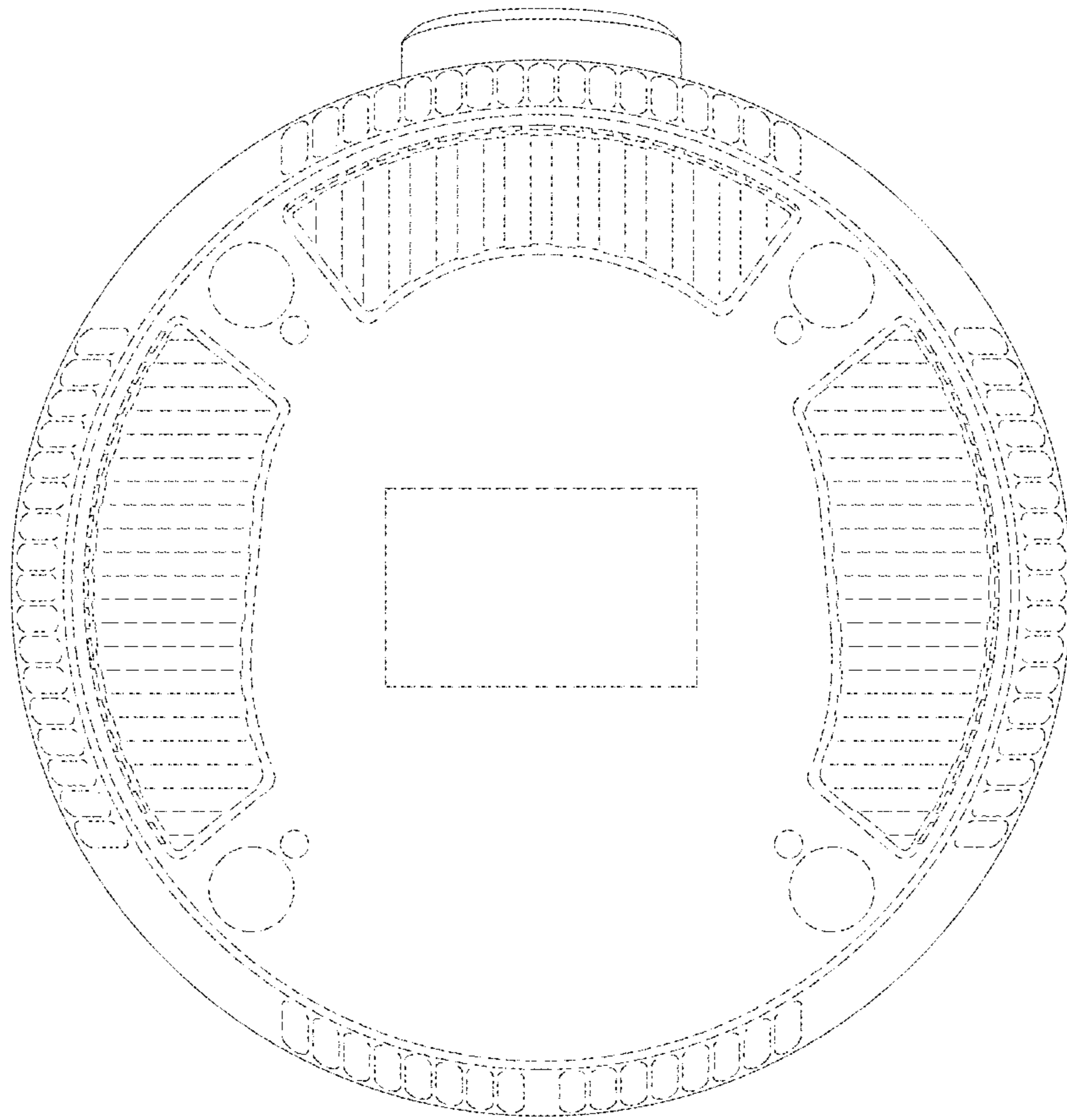


FIG. 7