



US00D801108S

(12) **United States Design Patent**
Pan

(10) **Patent No.:** **US D801,108 S**
(45) **Date of Patent:** **** Oct. 31, 2017**

(54) **PERSONAL BLENDER ASSEMBLY**

(71) Applicant: **WEIGHMAX GROUP**, City of Industry, CA (US)

(72) Inventor: **Guangshe Pan**, Brea, CA (US)

(**) Term: **15 Years**

(21) Appl. No.: **29/536,534**

(22) Filed: **Aug. 17, 2015**

(51) **LOC (10) Cl.** **31-00**

(52) **U.S. Cl.**
USPC **D7/378; D7/376; D7/412**

(58) **Field of Classification Search**
USPC **D7/372, 376-386, 412-413, 602, 629, D7/665-666, 669, 679, 693-694**
(Continued)

(56) **References Cited**

U.S. PATENT DOCUMENTS

- 3,627,008 A * 12/1971 Samuelian A47J 43/0766 215/320
 - D518,994 S * 4/2006 Lin D7/378
- (Continued)

Primary Examiner — Ricky Pham

(74) *Attorney, Agent, or Firm* — Tsz Lung Yeung

(57) **CLAIM**

The ornamental design for a personal blender assembly, substantially as shown and described.

DESCRIPTION

- FIG. 1 is a front end view of a personal blender assembly showing my new design.
- FIG. 2 is a rear end view thereof.
- FIG. 3 is a right side view thereof.
- FIG. 4 is a left side view thereof.
- FIG. 5 is a top view thereof.
- FIG. 6 is a bottom view thereof.

FIG. 7 is a perspective view of a personal blender assembly showing my new design.

FIG. 8 is a perspective exploded view of a personal blender assembly showing a disassembled position of different parts of my new design.

FIG. 9 is a front end view of another embodiment of a personal blender assembly showing my new design.

FIG. 10 is a rear end view thereof.

FIG. 11 is a right side view thereof.

FIG. 12 is a left side view thereof.

FIG. 13 is a top view thereof.

FIG. 14 is a bottom view thereof.

FIG. 15 is a perspective view of another embodiment of a personal blender assembly showing my new design.

FIG. 16 is a perspective exploded view of a personal blender assembly showing a disassembled position of different parts of my new design.

FIG. 17 is a perspective view of a blender cup of a personal blender assembly showing my new design.

FIG. 18 is a front end view thereof.

FIG. 19 is a rear end view thereof.

FIG. 20 is a right side view thereof.

FIG. 21 is a left side view thereof.

FIG. 22 is a top view thereof.

FIG. 23 is a bottom view thereof.

FIG. 24 is a cross-sectional front view taken through line 24-24 of FIG. 22.

FIG. 25 is a perspective view of a blender connector of a personal blender assembly showing my new design.

FIG. 26 is a front end view thereof.

FIG. 27 is a rear end view thereof.

FIG. 28 is a right side view thereof.

FIG. 29 is a left side view thereof.

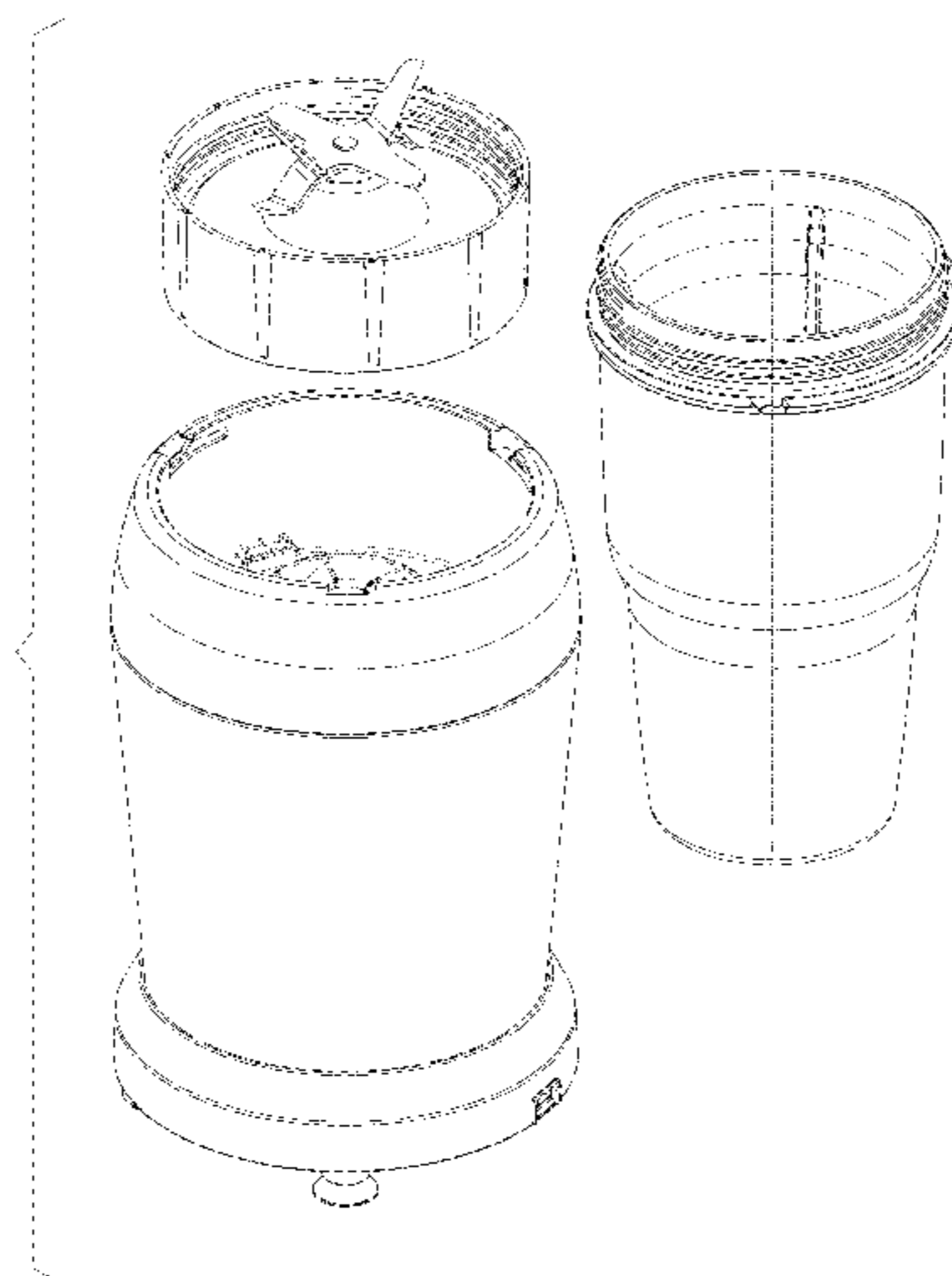
FIG. 30 is a top view thereof.

FIG. 31 is a bottom view thereof; and,

FIG. 32 is another perspective view thereof.

The personal blender assembly includes a base, a blender cup and a blender connector connecting the base and the blender cup. The blender cup can be detached from the blender connector and used as a cup directly. In FIGS. 9-13 and 15-24, the blender cup has a transparent chamber. The broken line portions of FIGS. 6, 8, 14 and 16 are included to show unclaimed subject matters only and form no part of the claimed design.

1 Claim, 30 Drawing Sheets



(58) **Field of Classification Search**

CPC A21C 1/02; A21C 1/04; A23N 1/00; A23N
1/02; A47J 43/04; A47J 43/25; A47J
43/27; A47J 43/042; A47J 43/044; A47J
43/046; A47J 43/075; A47J 43/0722;
A47J 43/0727; A47J 43/0766; B01F 3/00;
B01F 3/0807; B01F 3/0853; B01F
13/0059; B01F 13/0064; B02C 1/08;
B02C 2/04; B02C 4/42; B02C 4/142;
B02C 4/143; B02C 4/423; B02C 13/1835;
B28C 5/10; B28C 5/12; B28C 5/14;
B28C 5/16

See application file for complete search history.

(56) **References Cited**

U.S. PATENT DOCUMENTS

D530,975	S	*	10/2006	Fernandez	D7/378
D549,043	S	*	8/2007	Beesley	D7/374
D554,427	S	*	11/2007	Sands	D7/378
D670,958	S	*	11/2012	Picozza	D7/376
D712,196	S	*	9/2014	Ho	D7/378
D715,095	S	*	10/2014	Ho	D7/376
D737,629	S	*	9/2015	Sands	D7/376
D747,915	S	*	1/2016	Kim	D7/372
D767,334	S	*	9/2016	Pan	D7/376

* cited by examiner

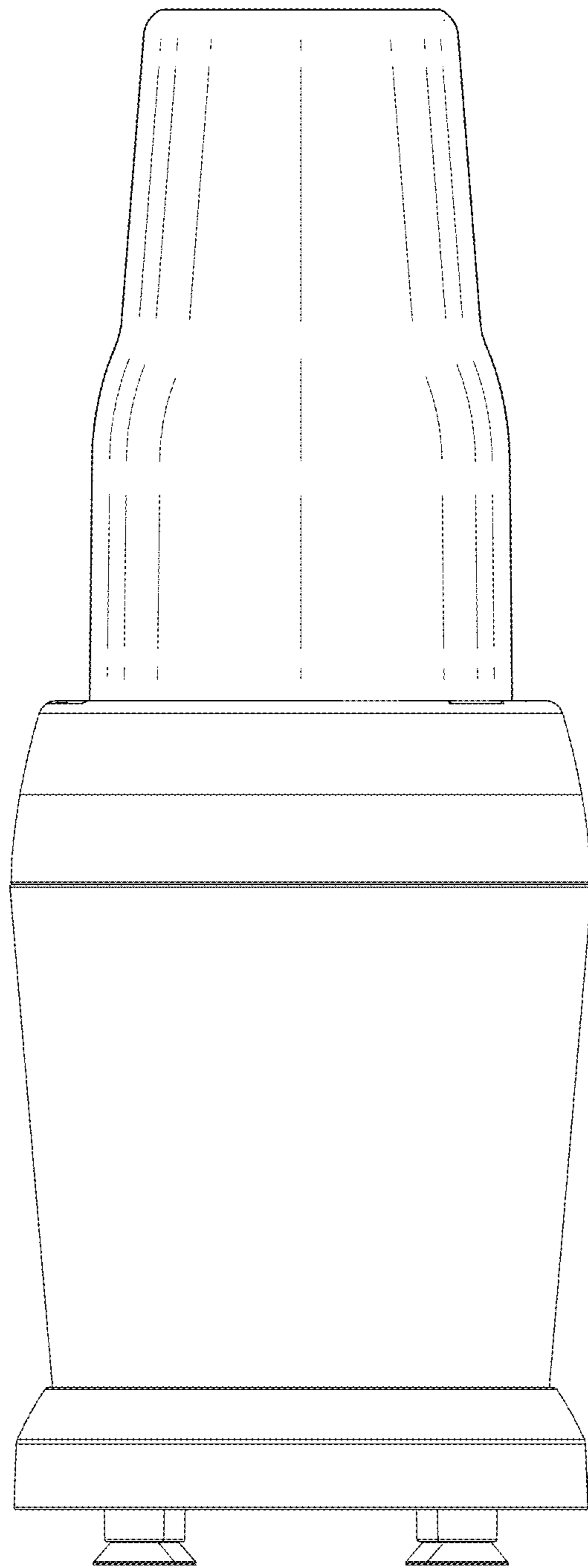


FIG. 1

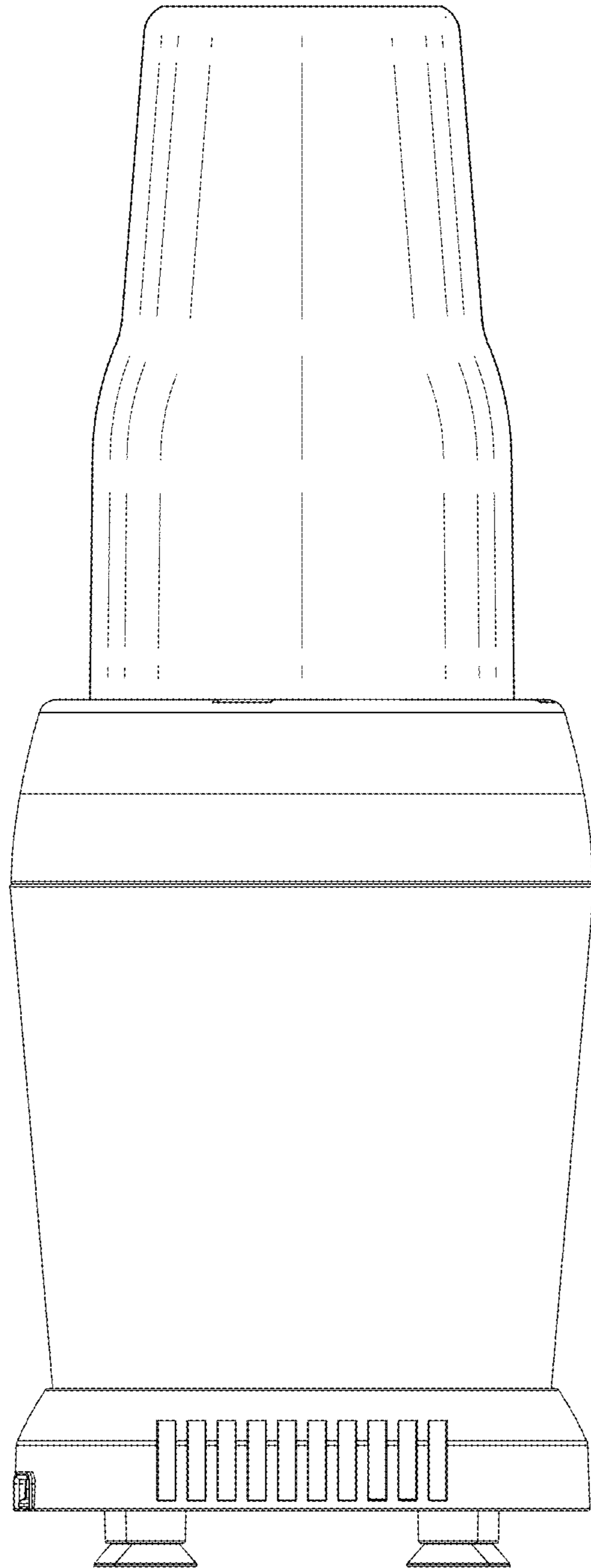


FIG. 2

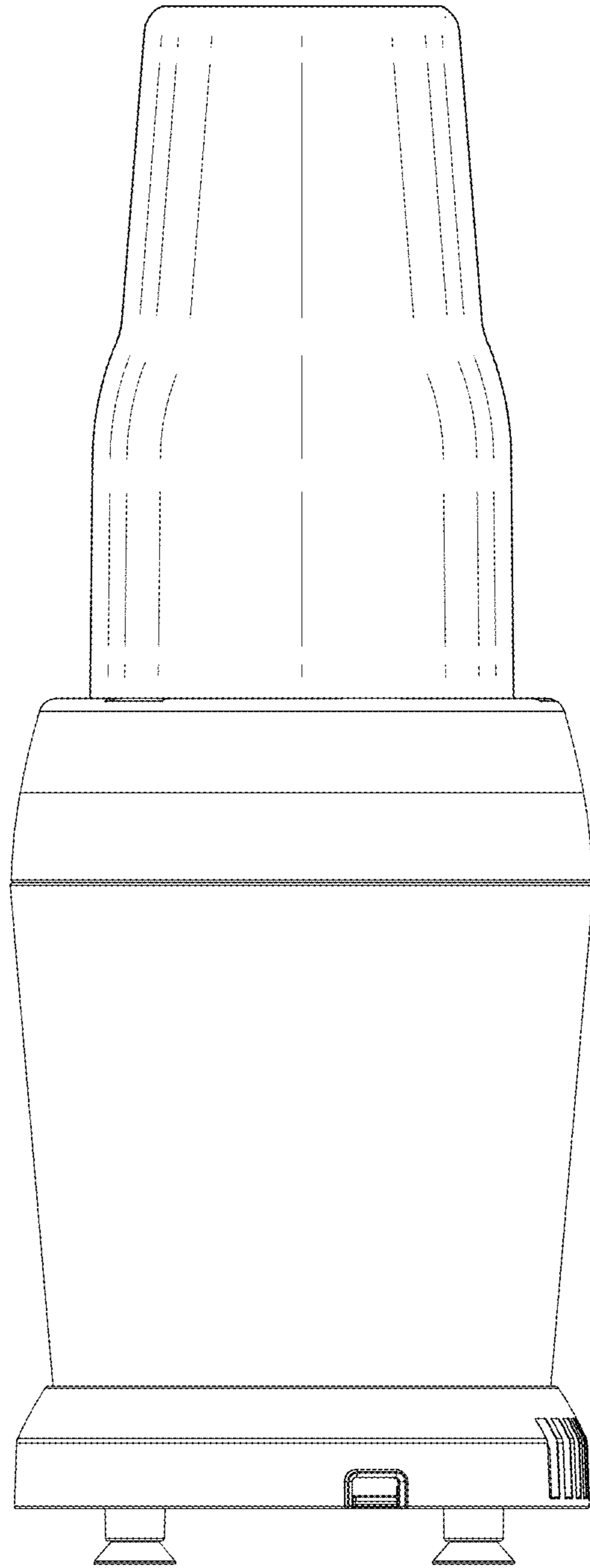


FIG. 3

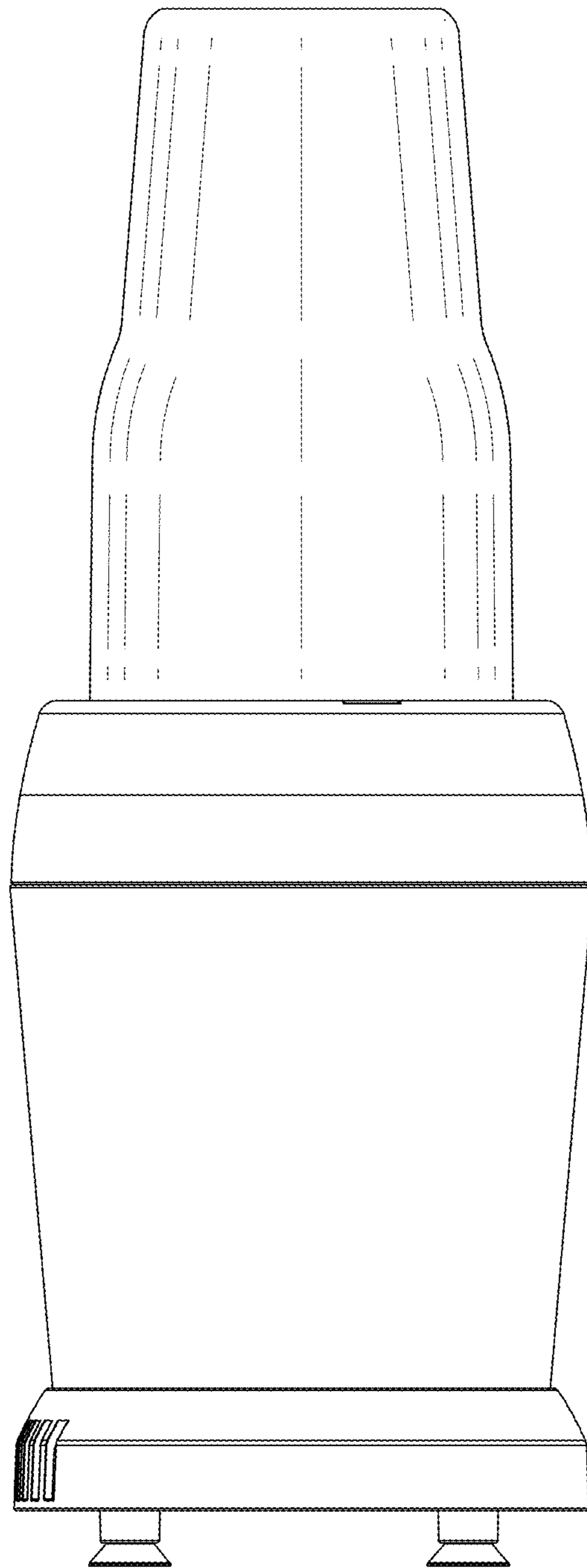


FIG. 4

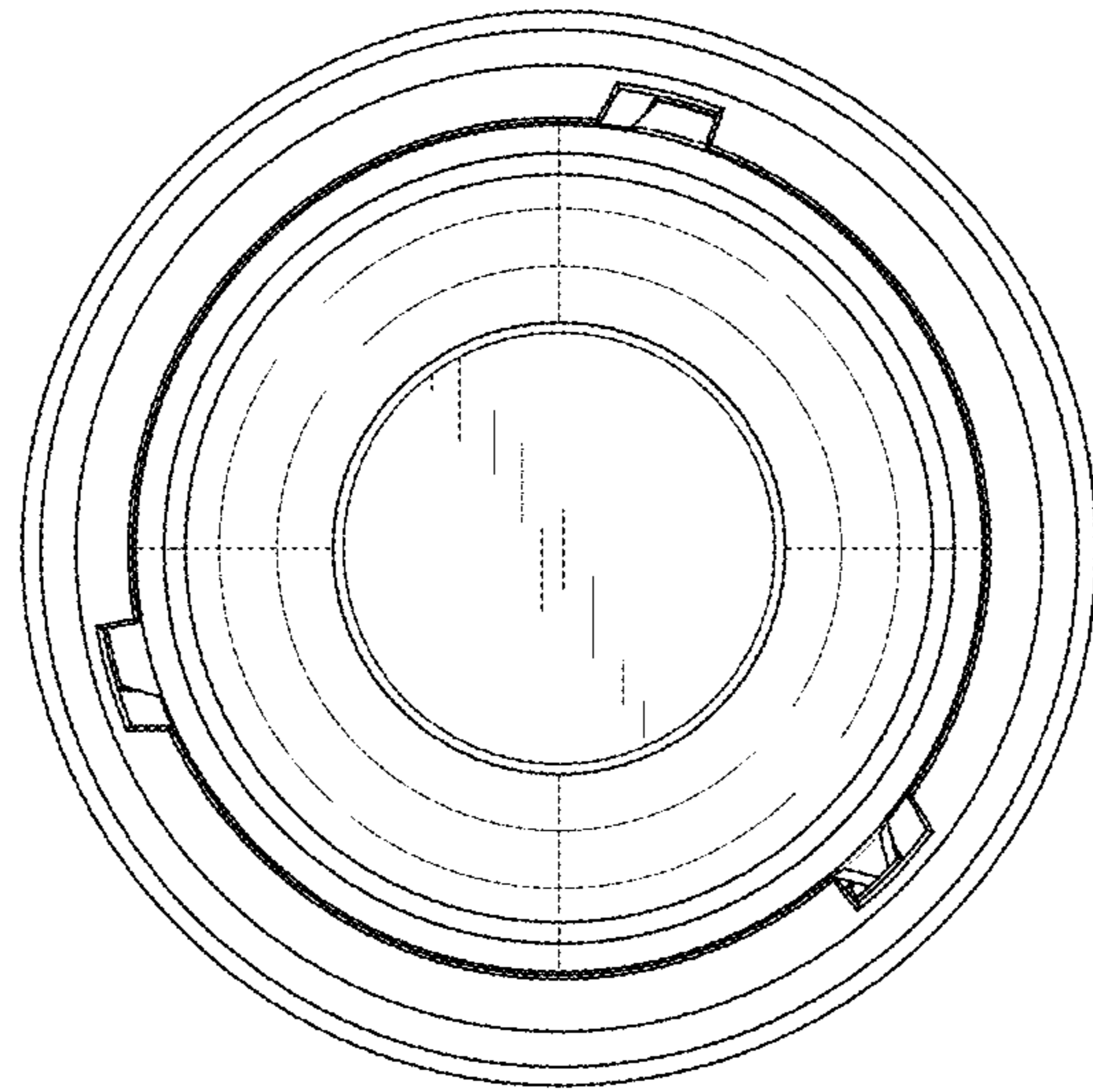


FIG. 5

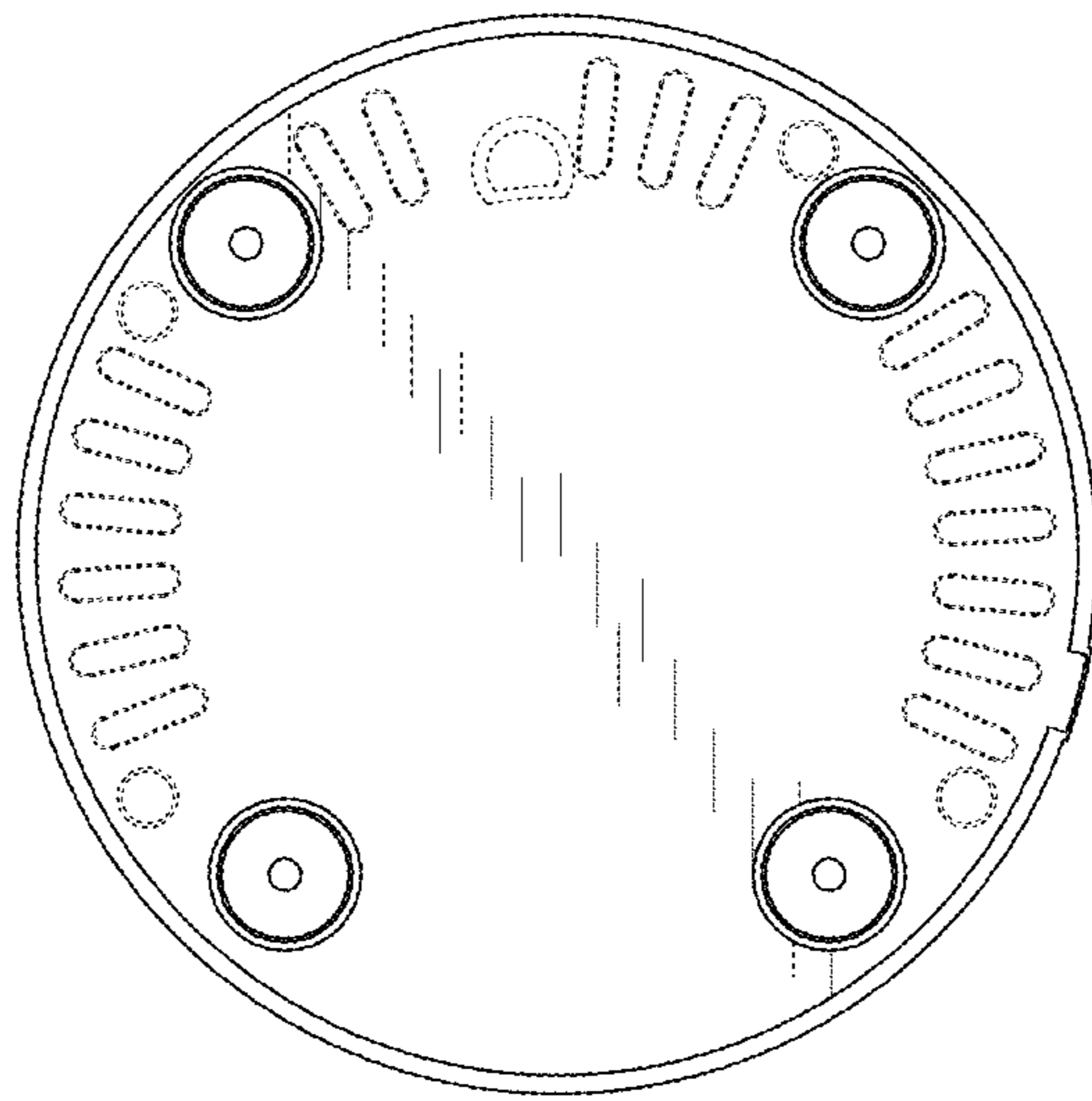


FIG. 6

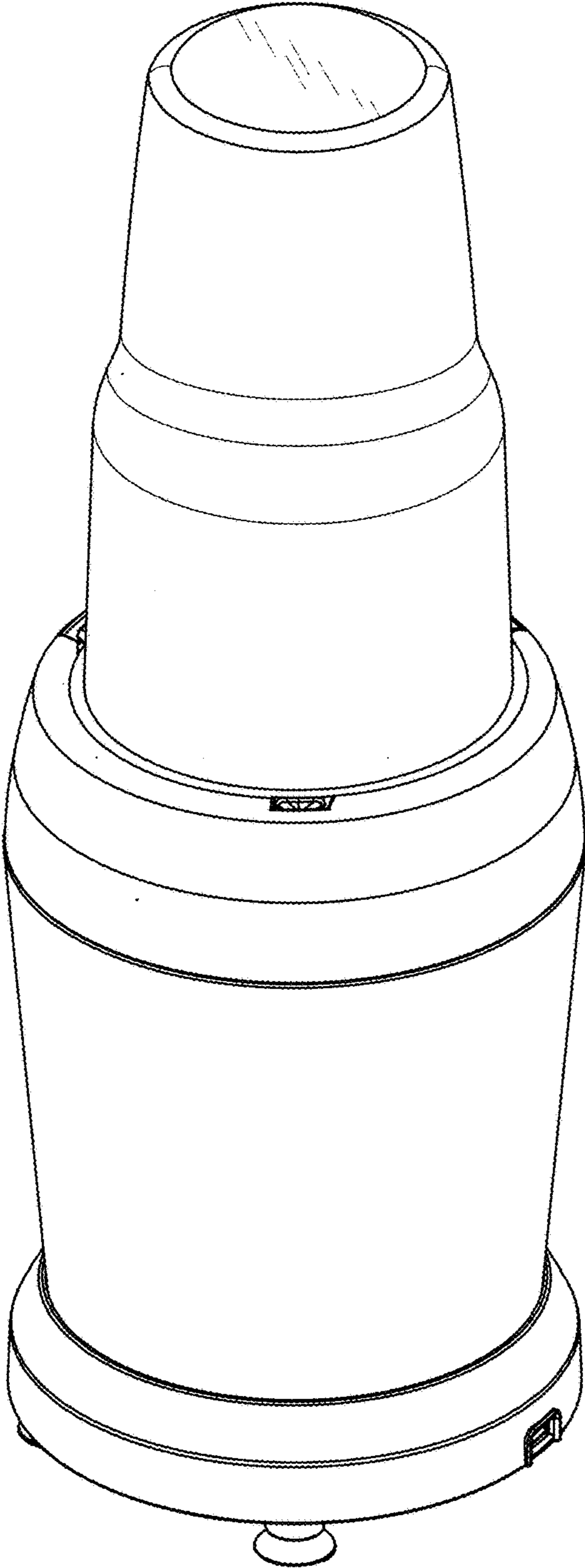


FIG. 7

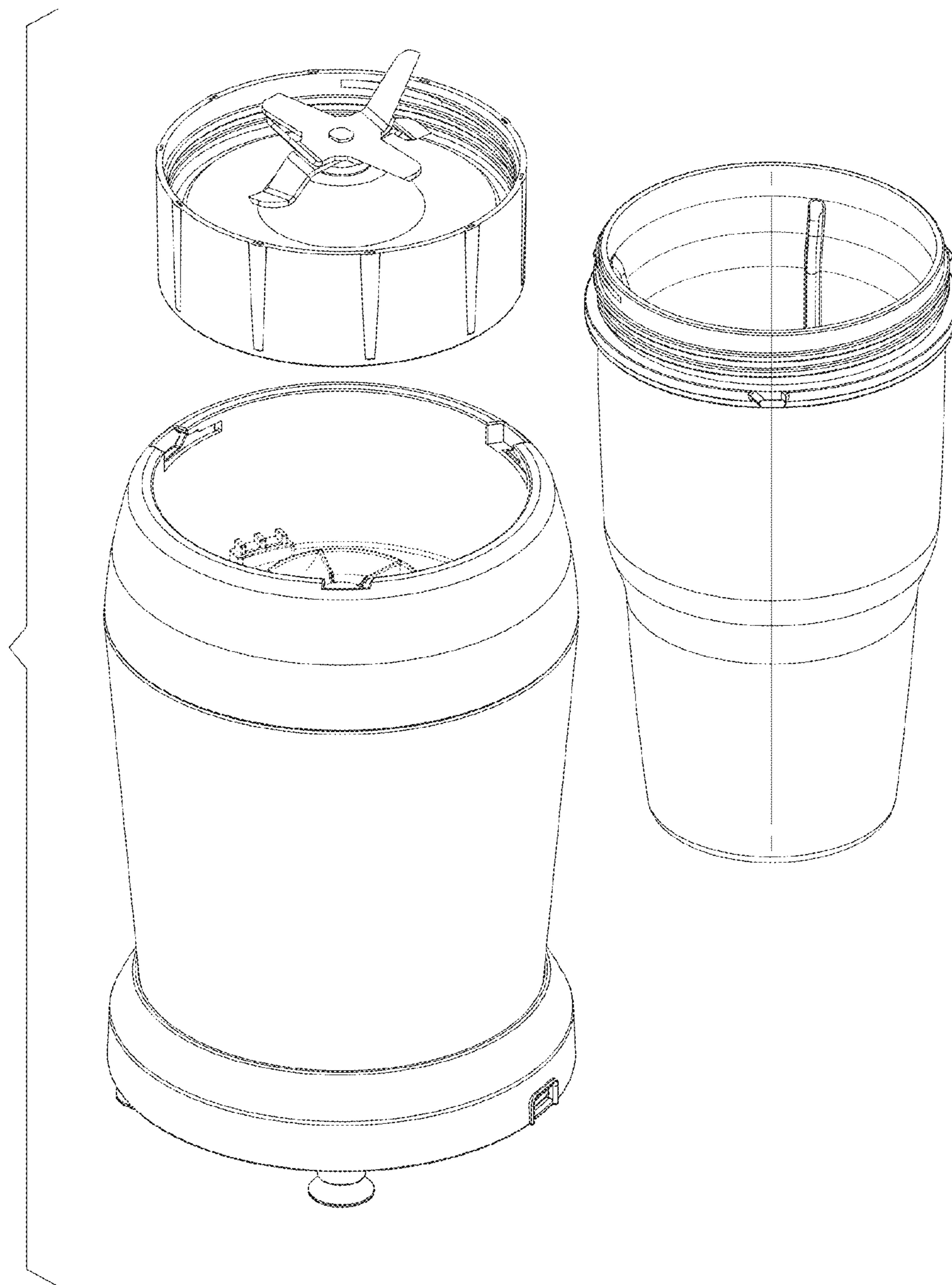


FIG. 8

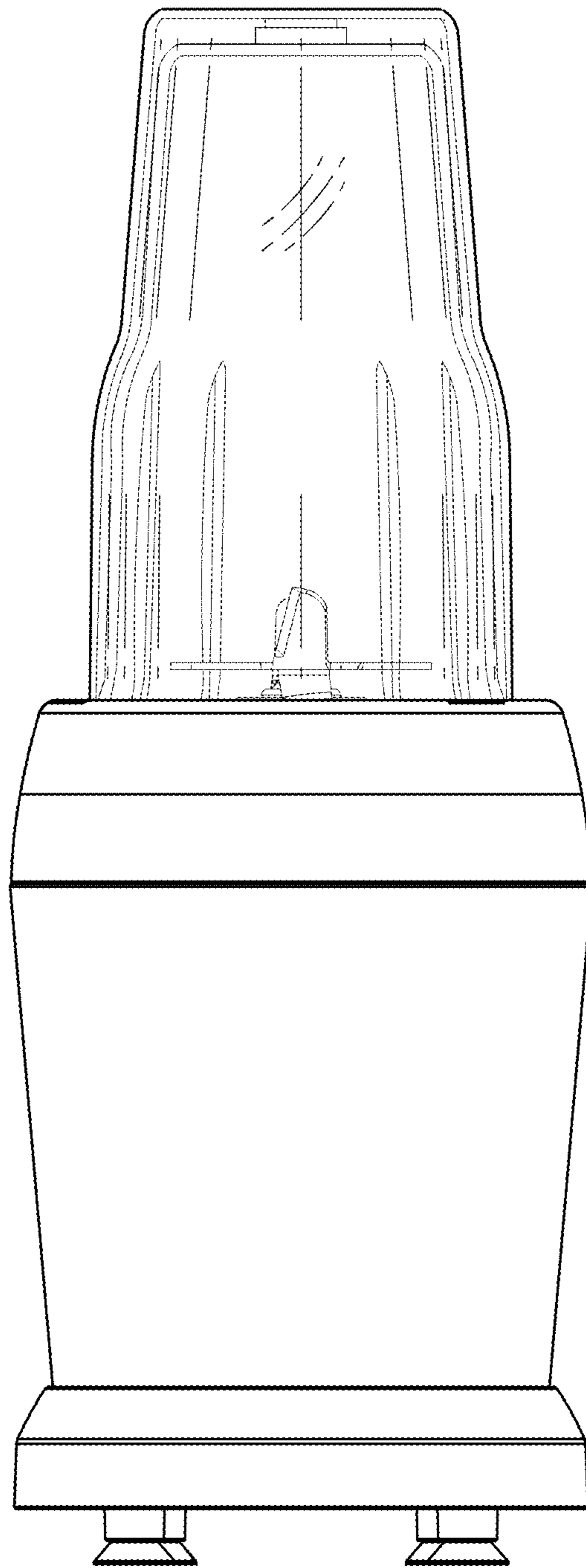


FIG. 9

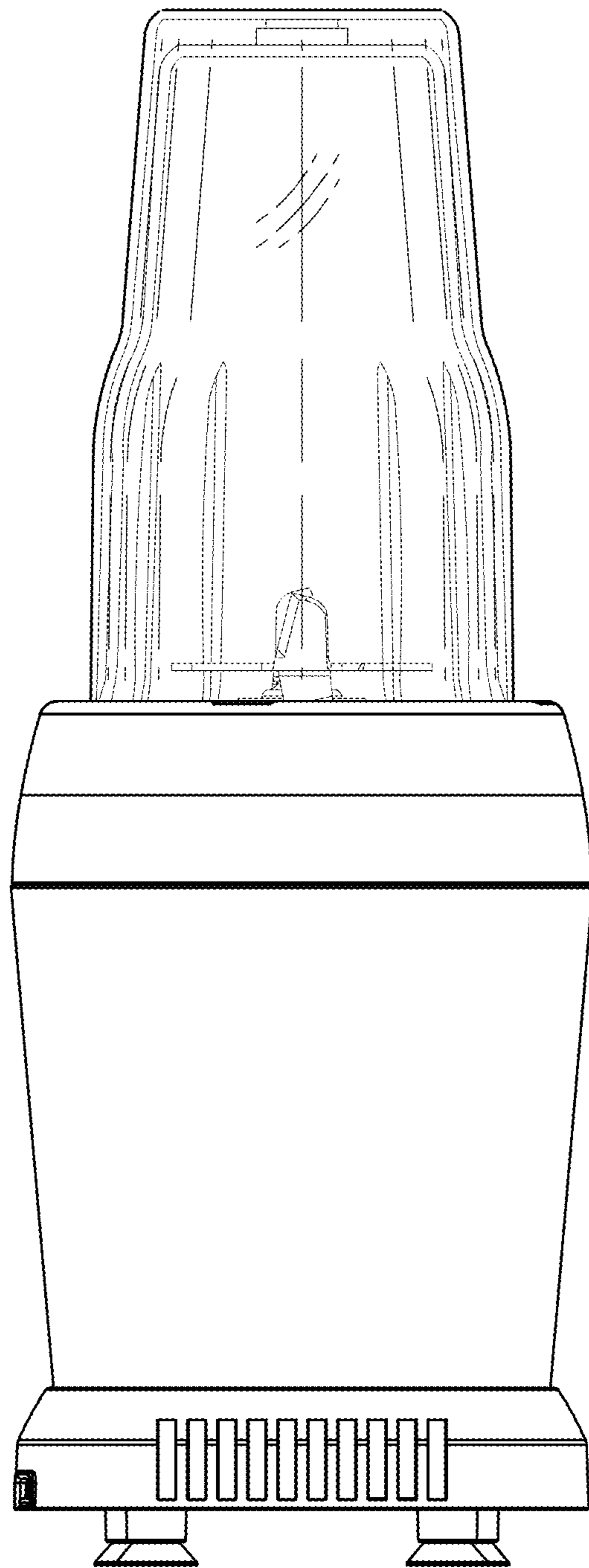


FIG. 10

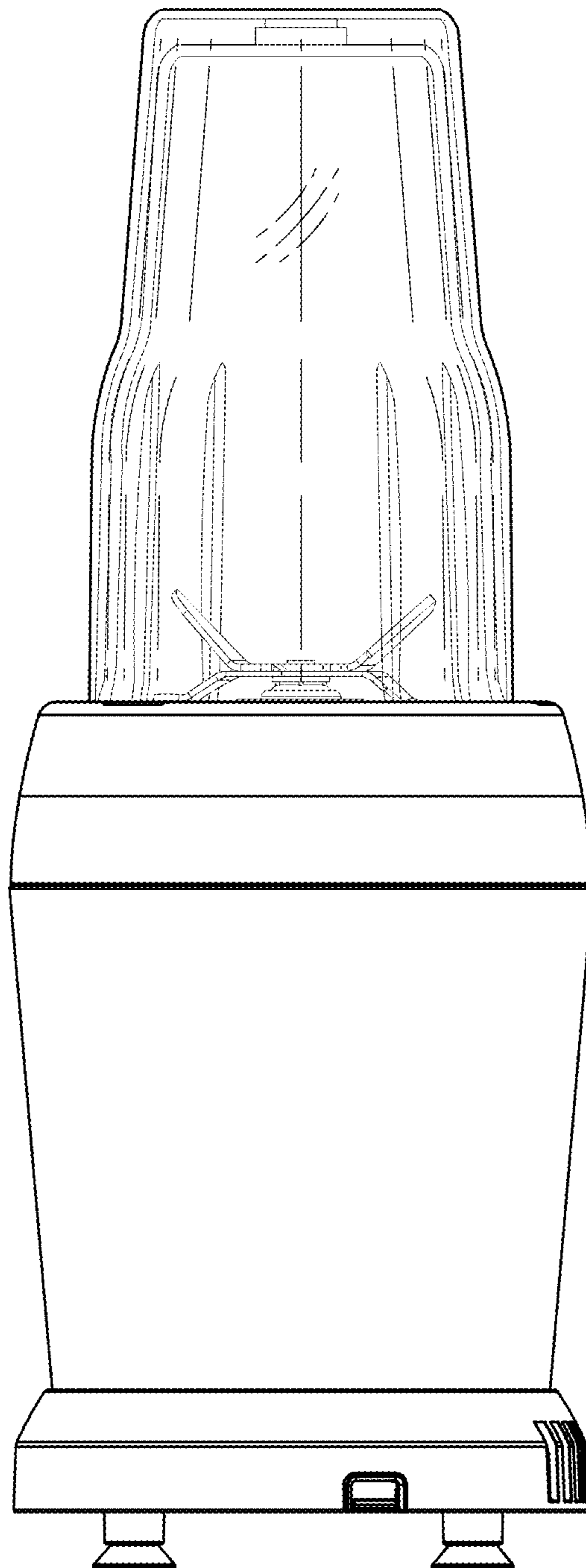


FIG. 11

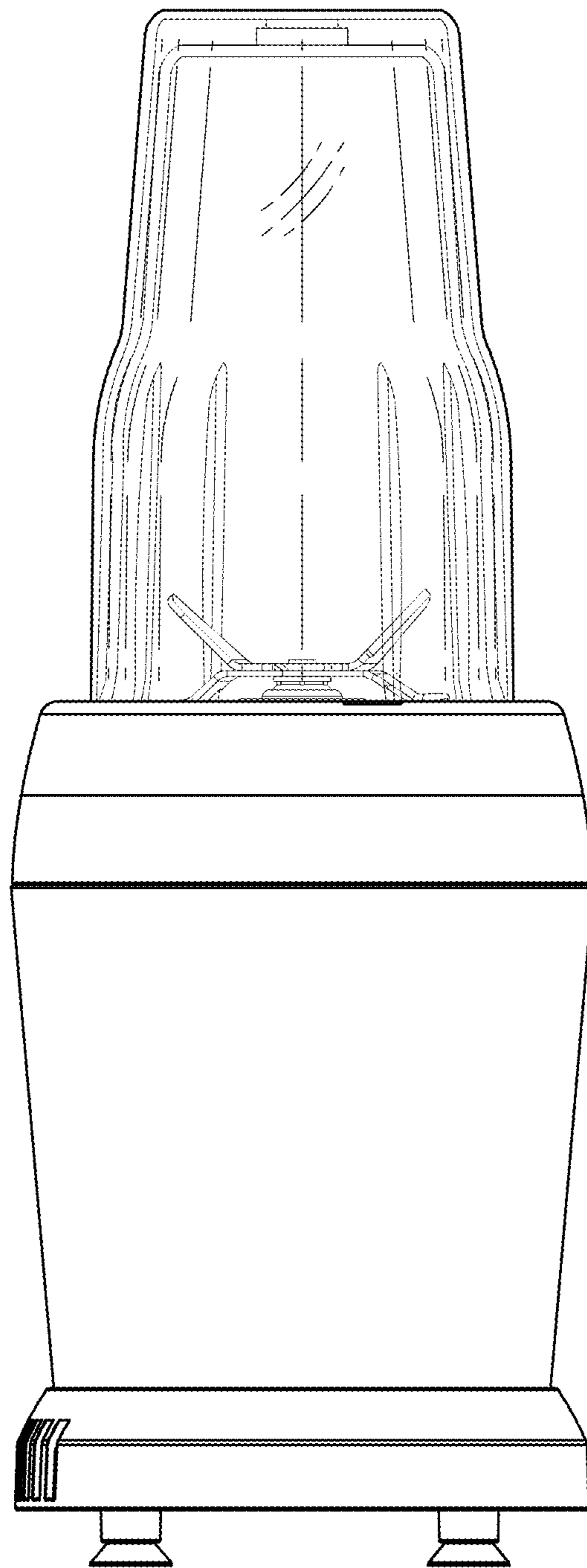


FIG. 12

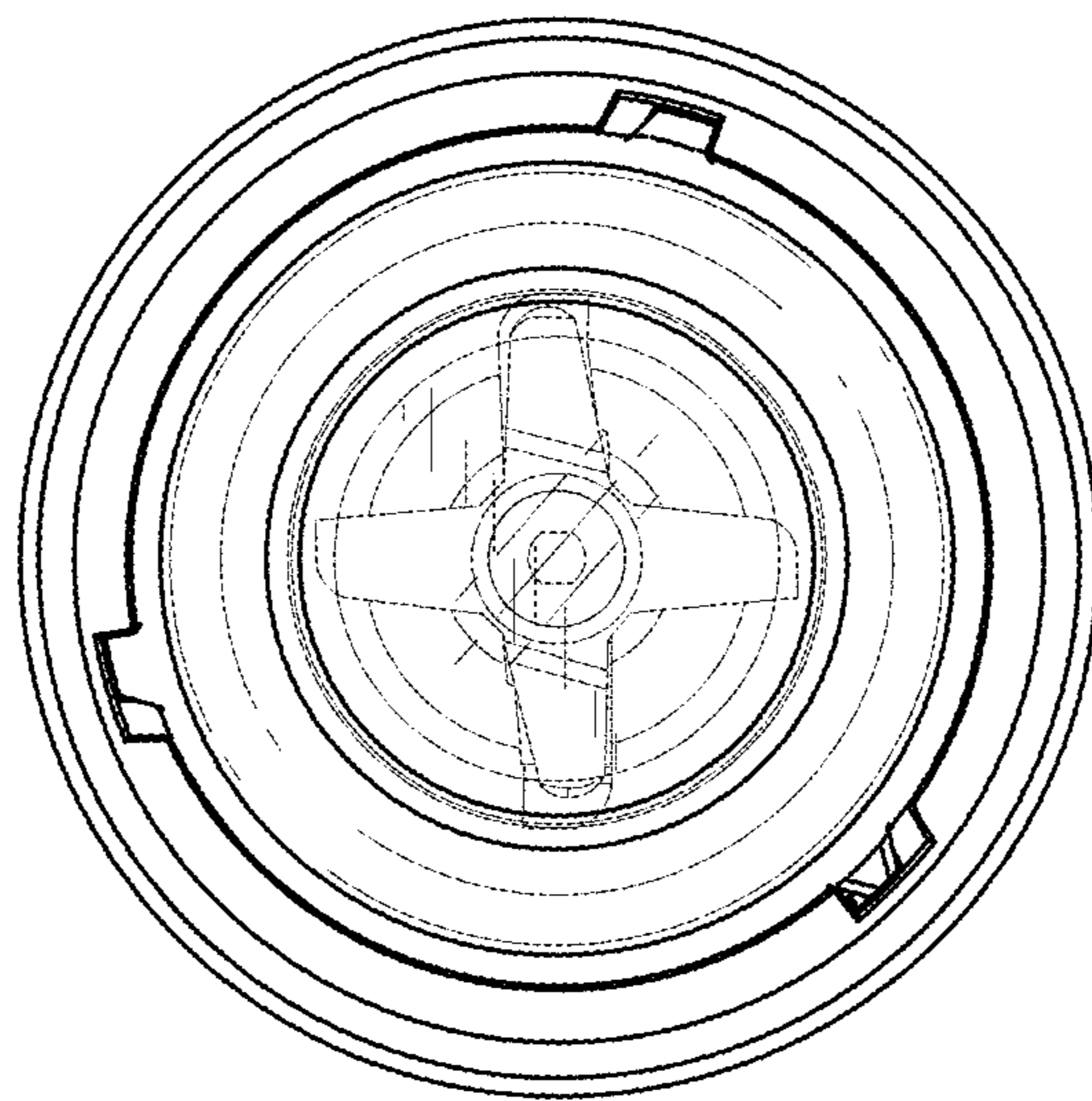


FIG. 13

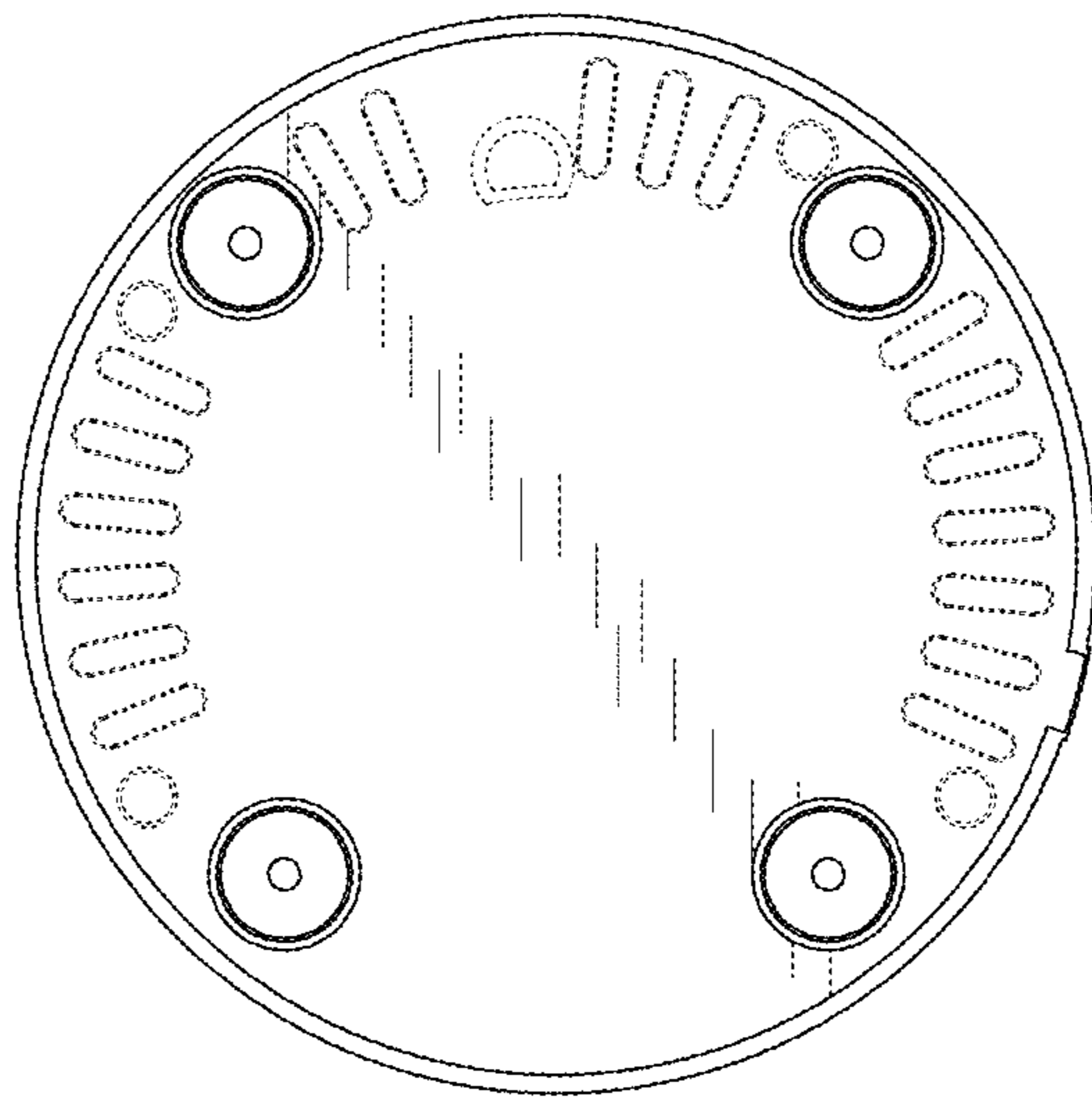


FIG. 14

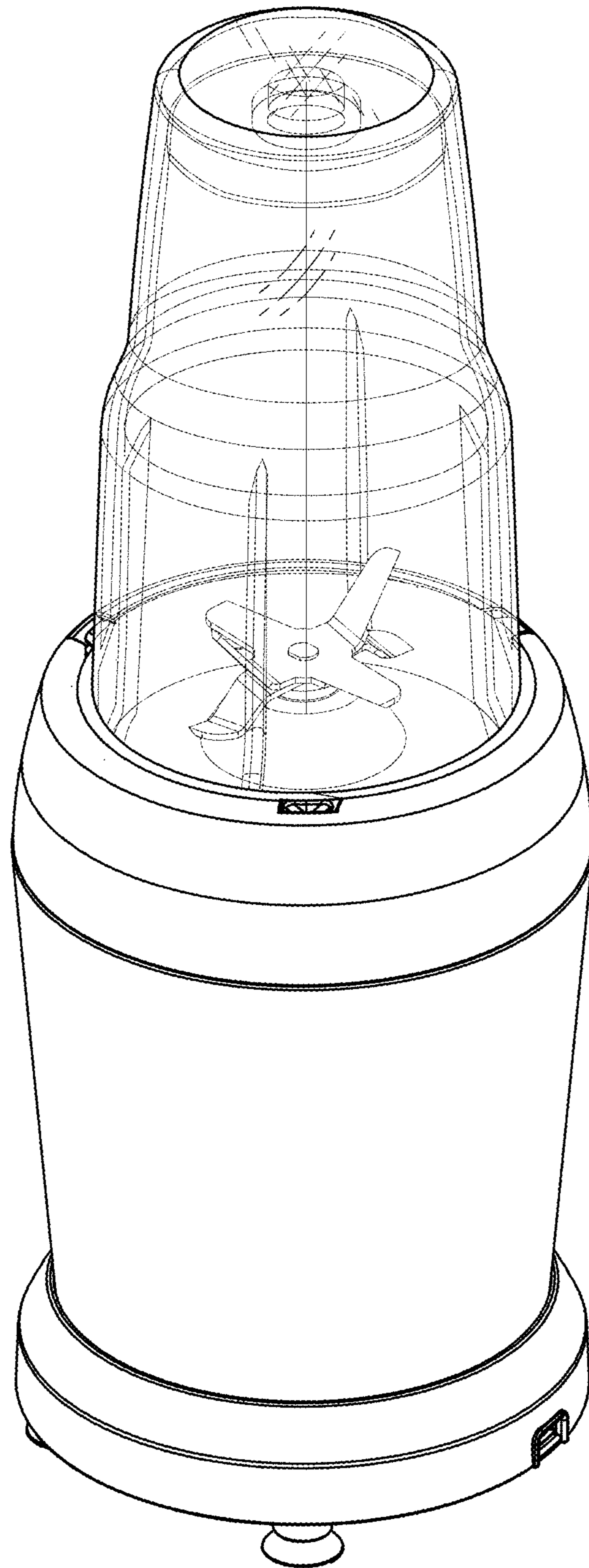


FIG. 15



FIG. 16

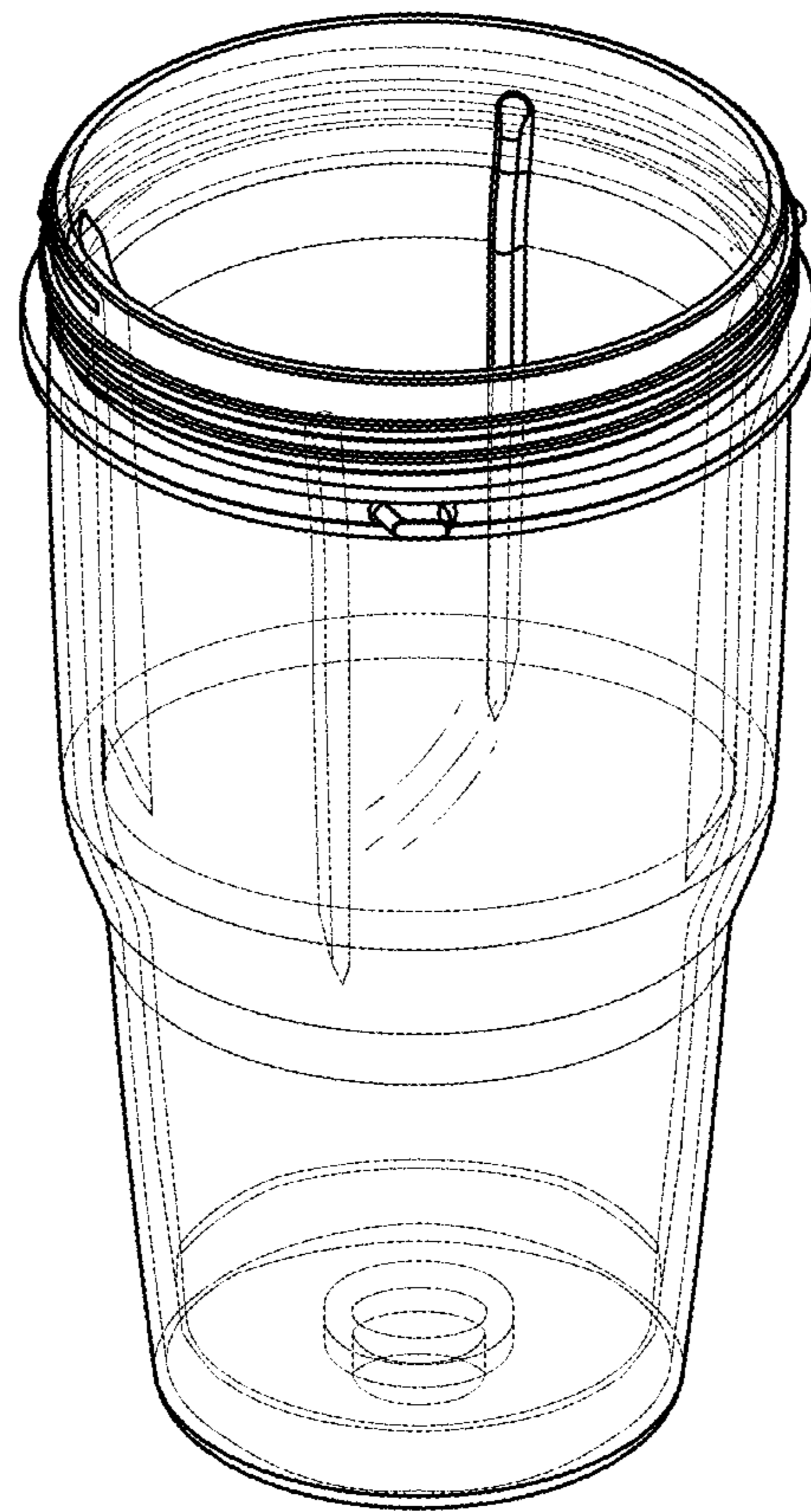


FIG. 17

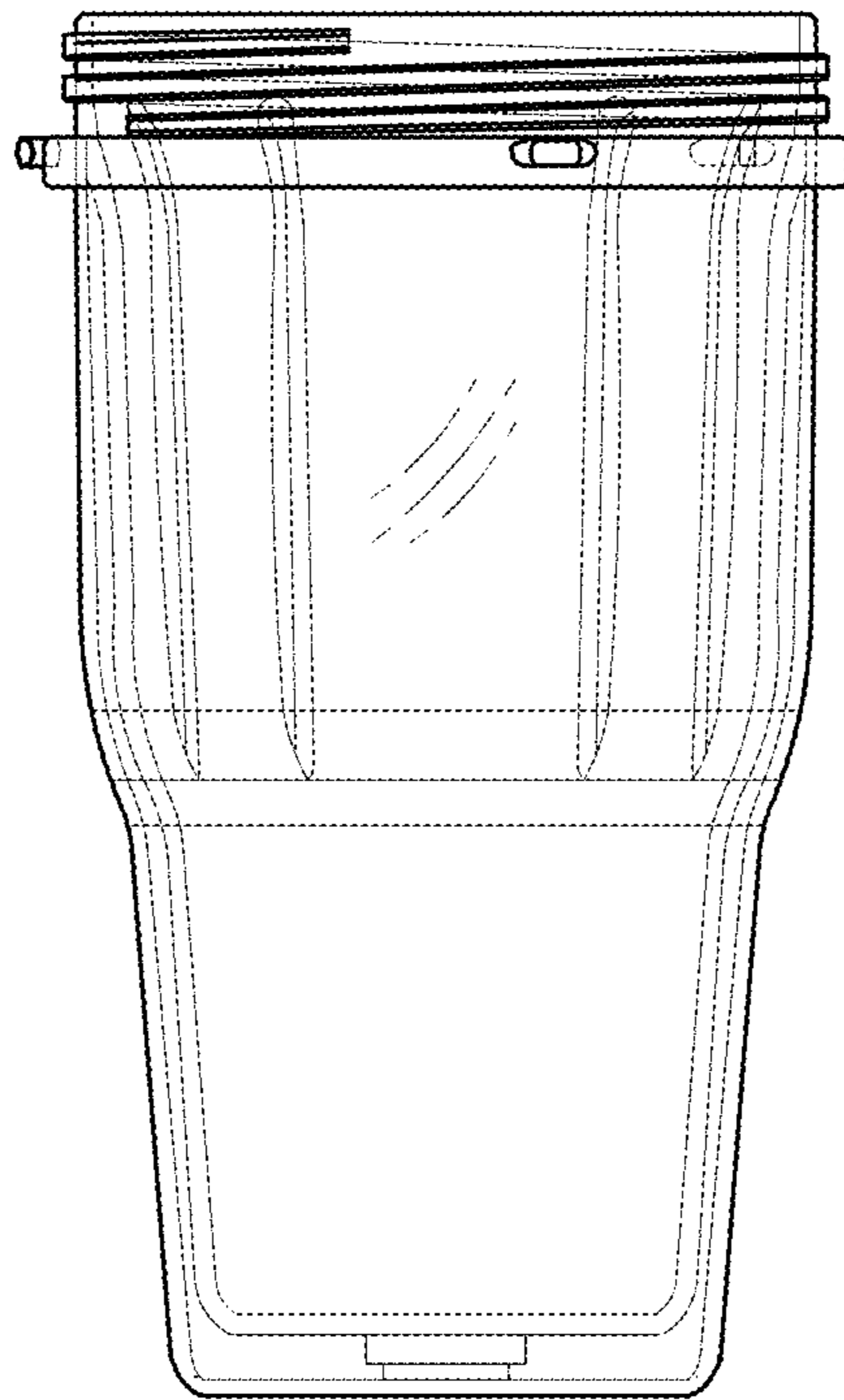


FIG. 18

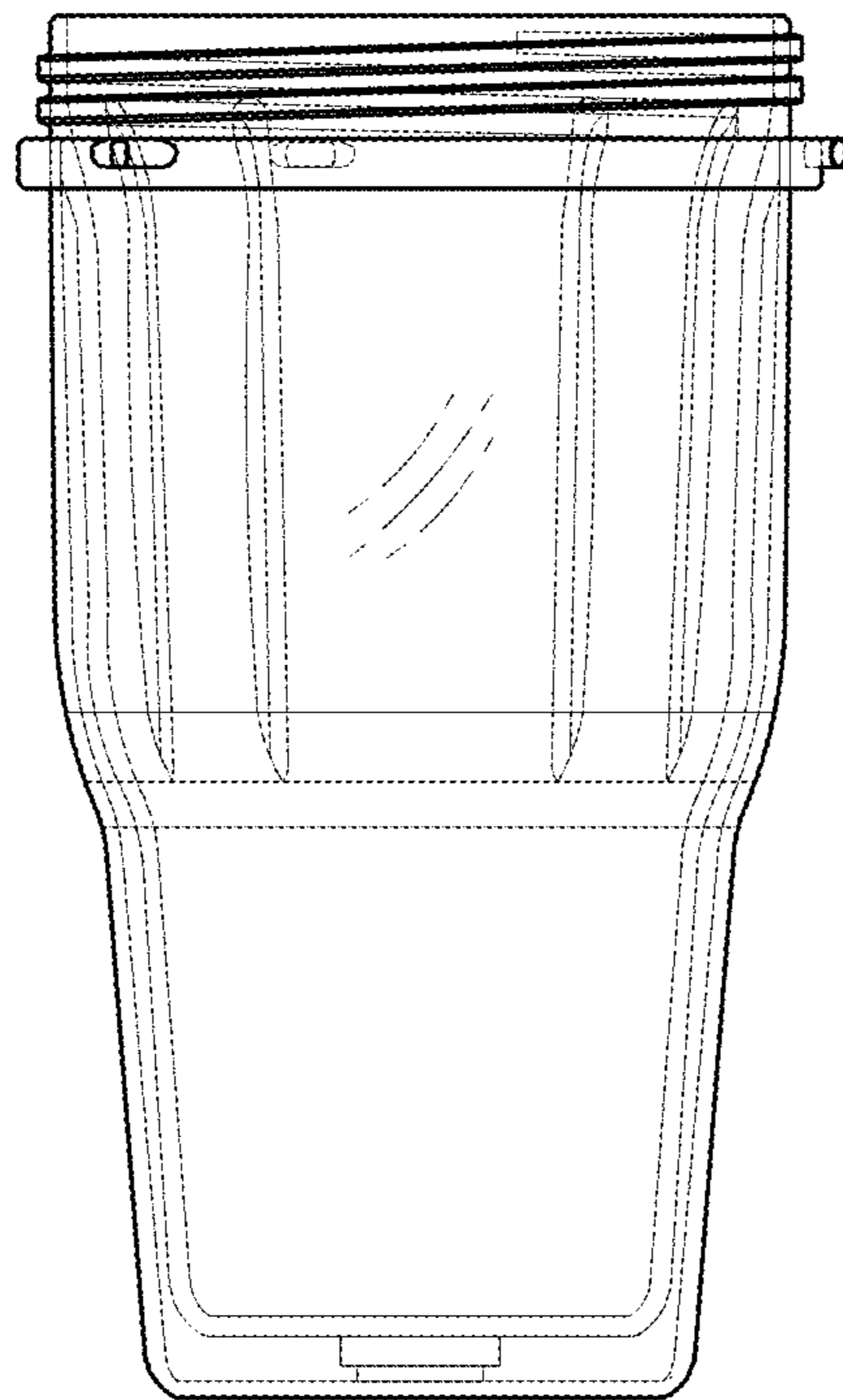


FIG. 19

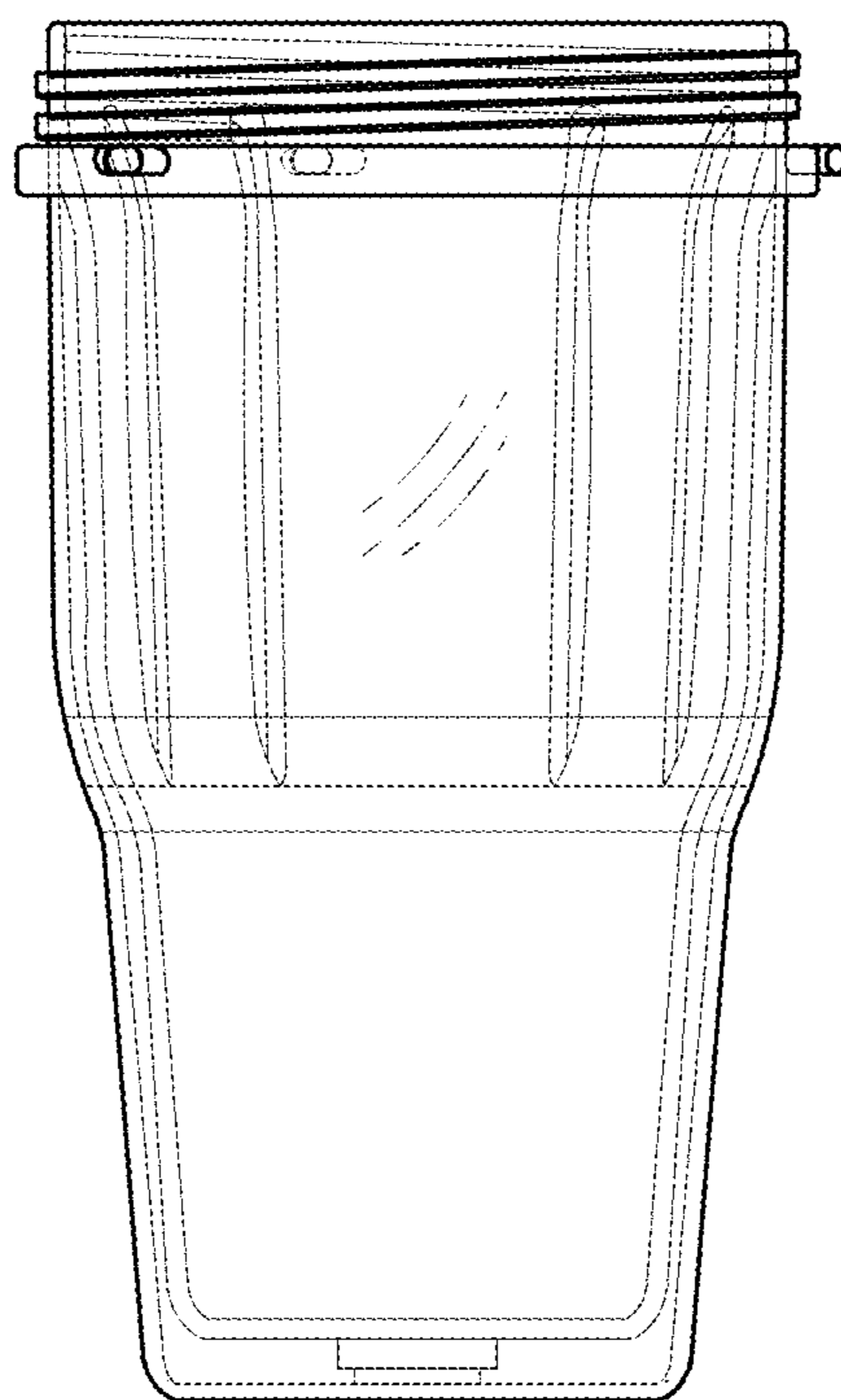


FIG. 20

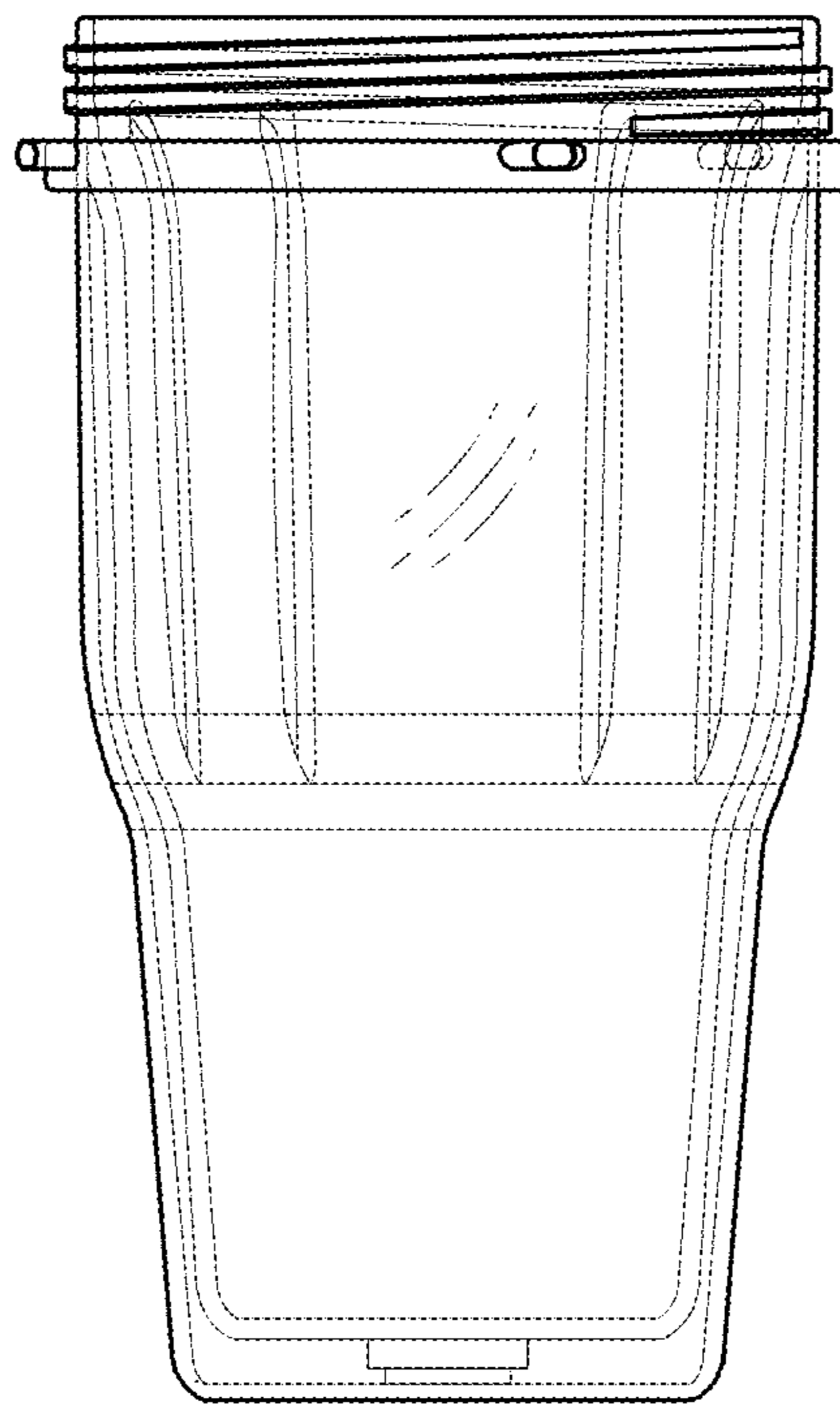


FIG. 21

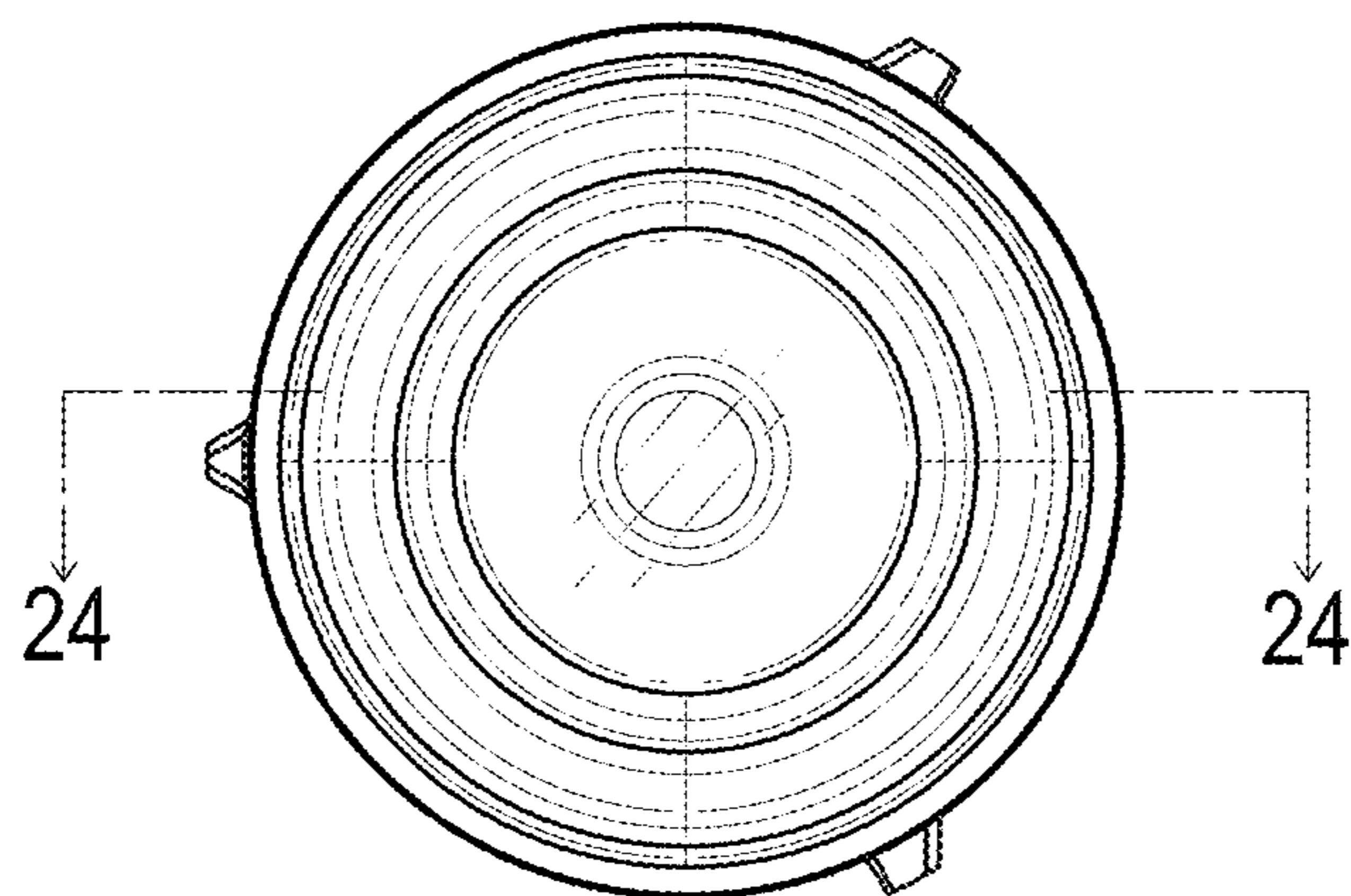


FIG. 22

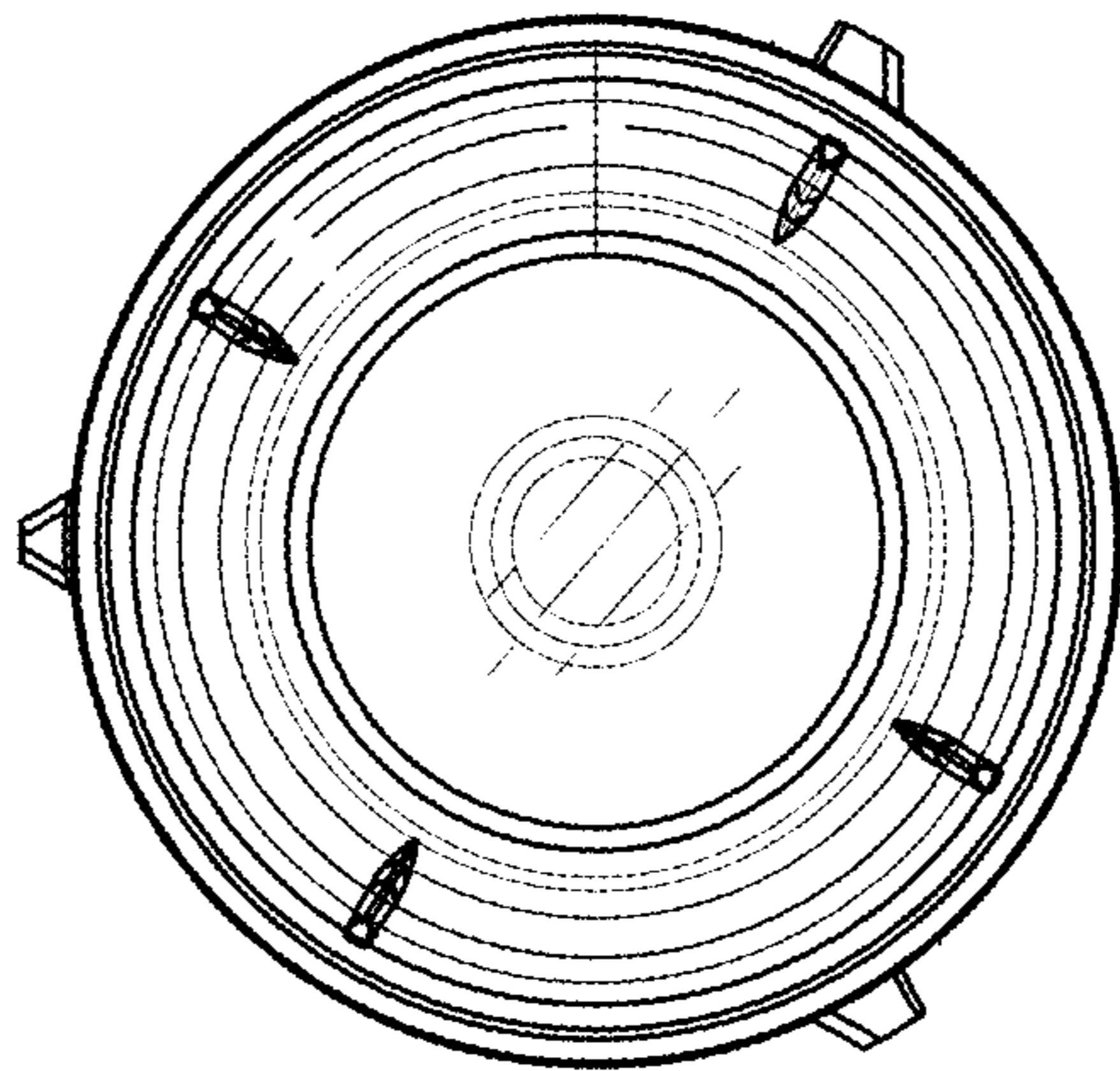


FIG. 23

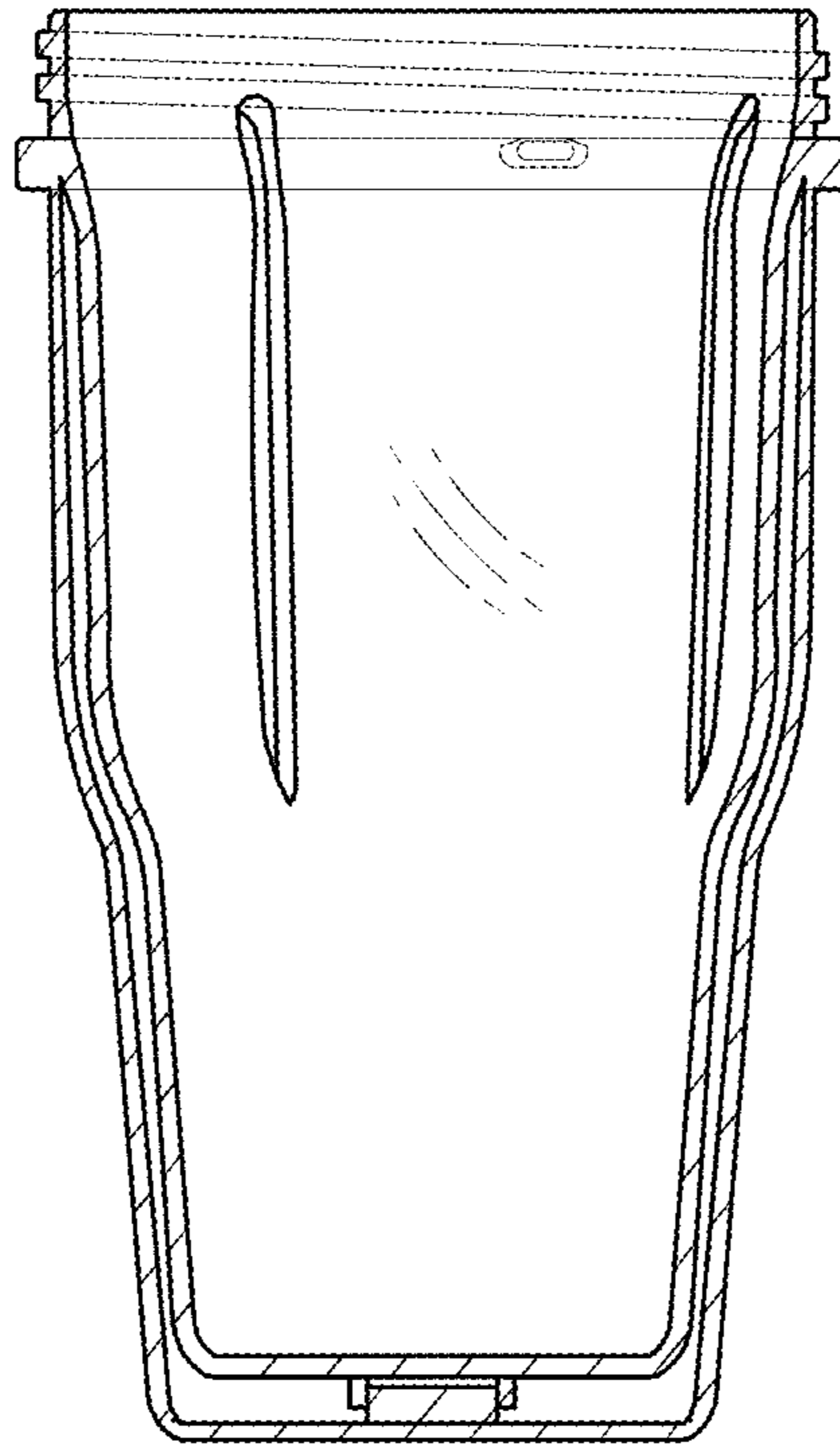


FIG. 24

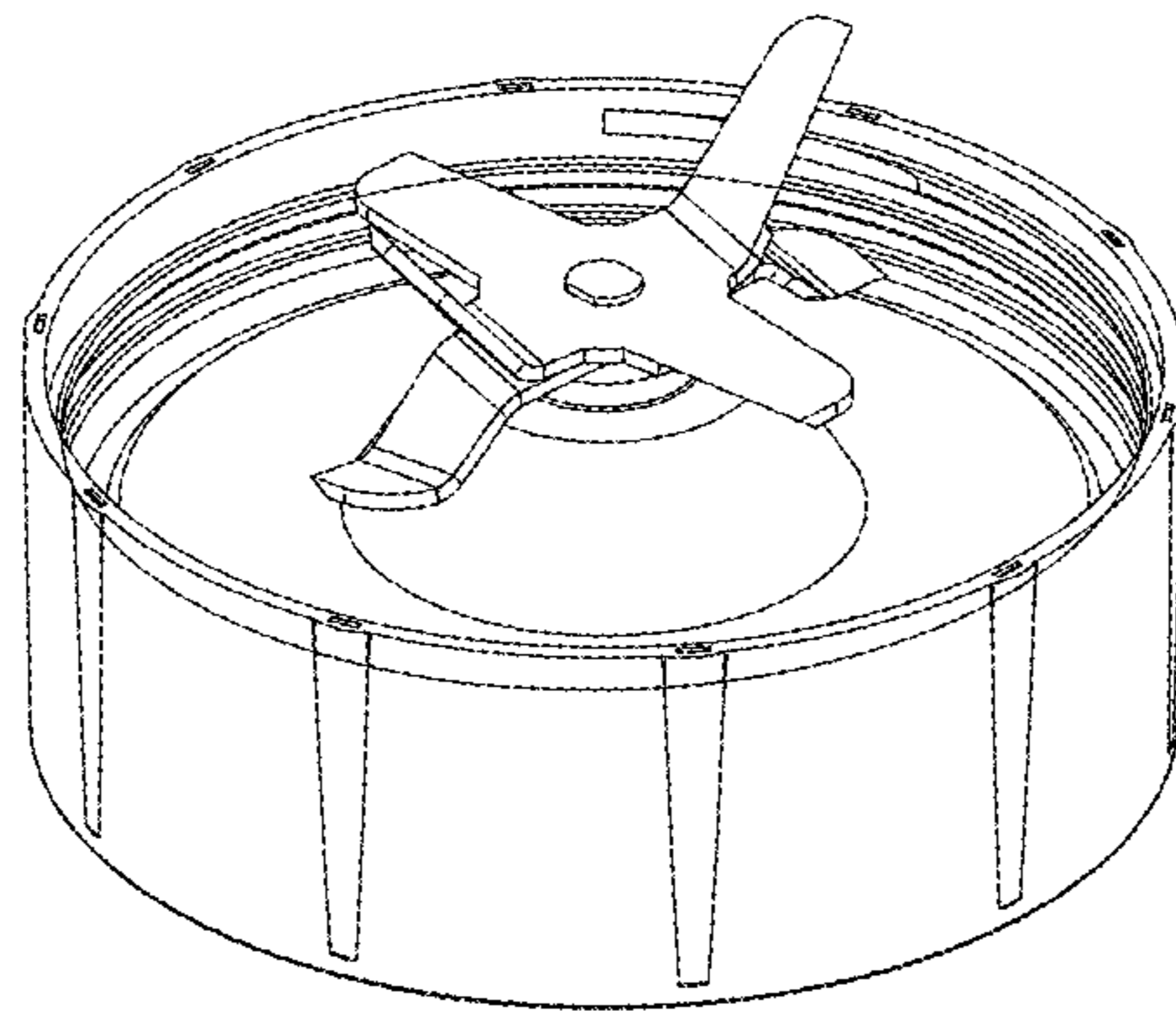


FIG. 25

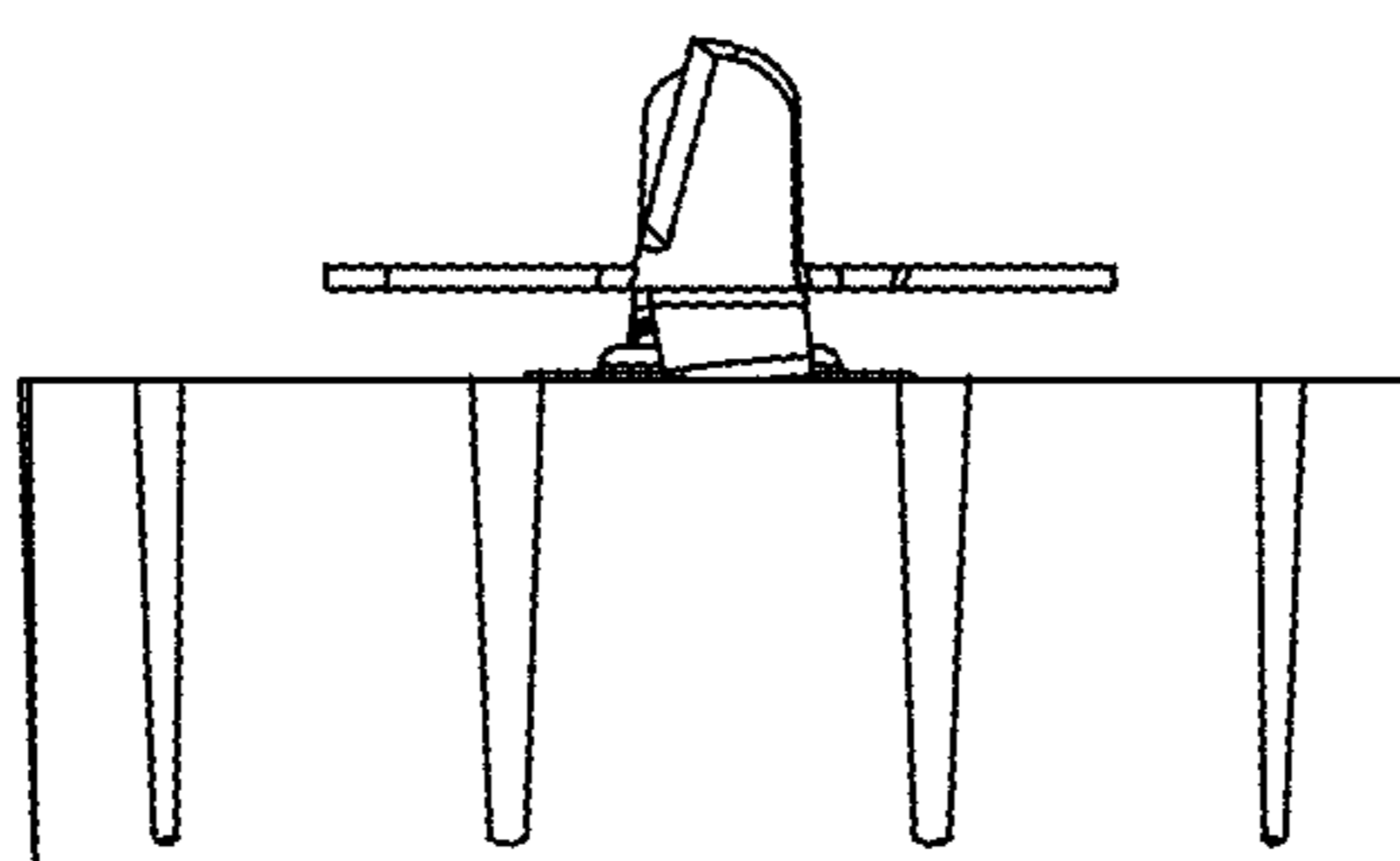


FIG. 26

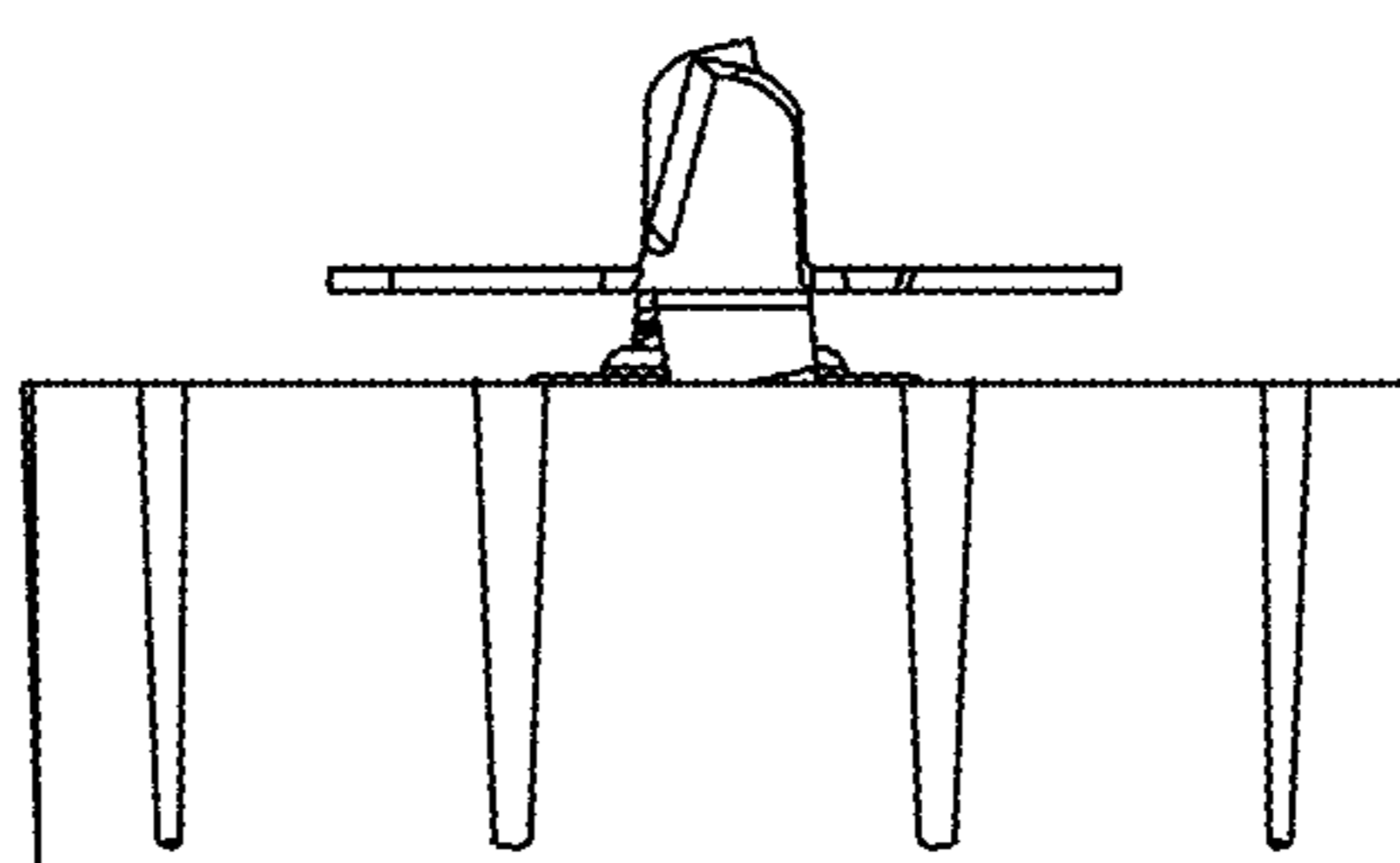


FIG. 27

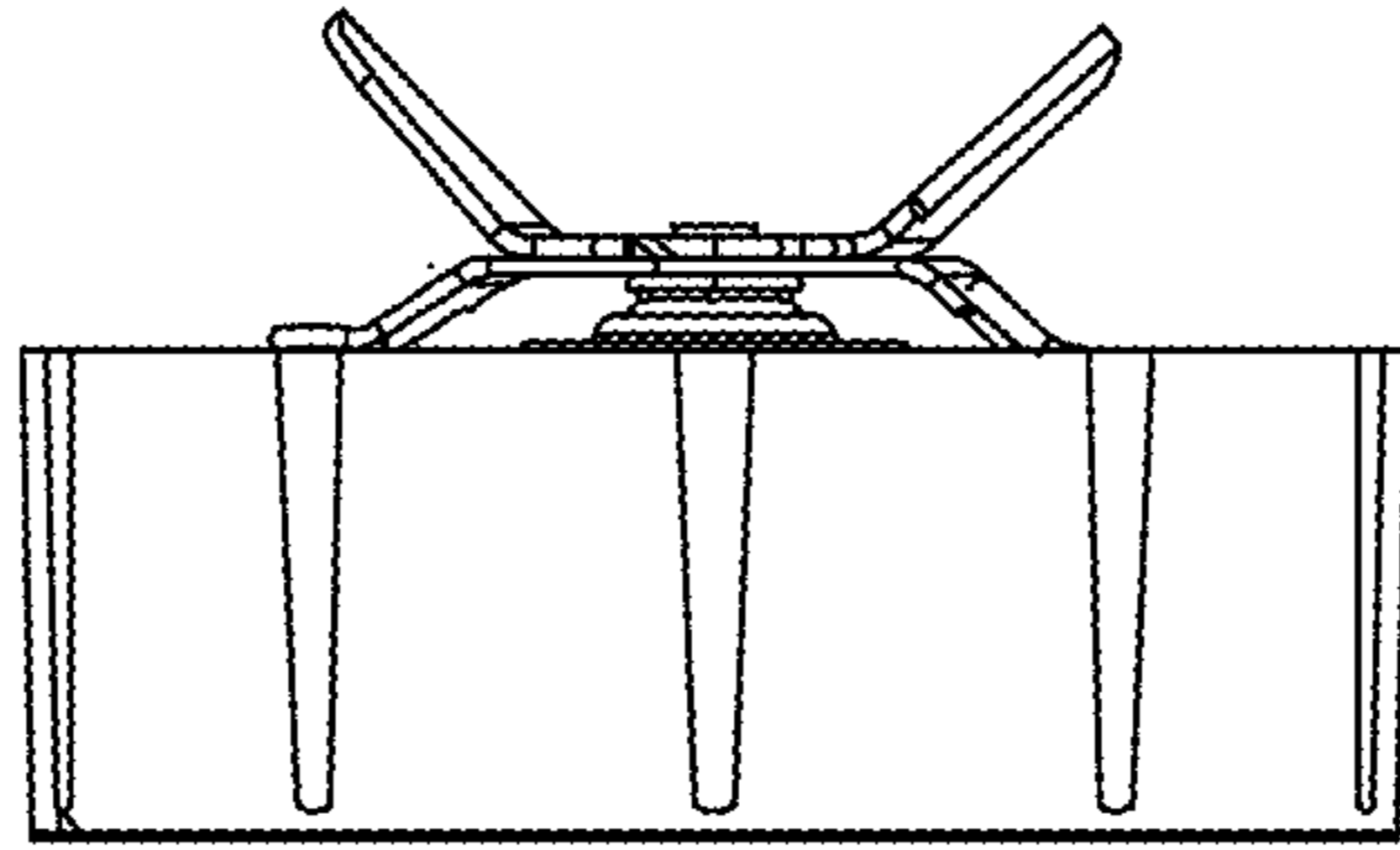


FIG. 28

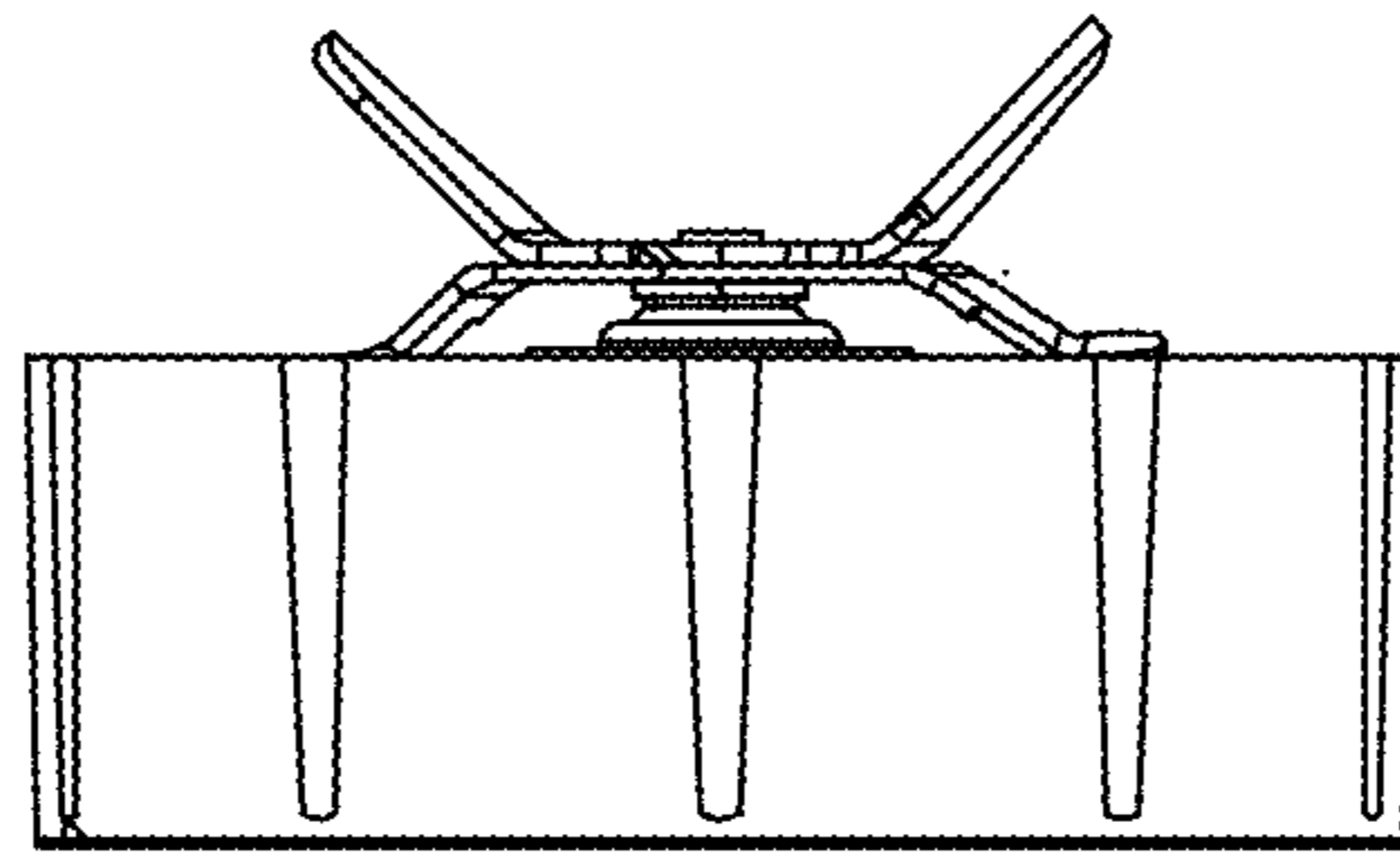


FIG. 29

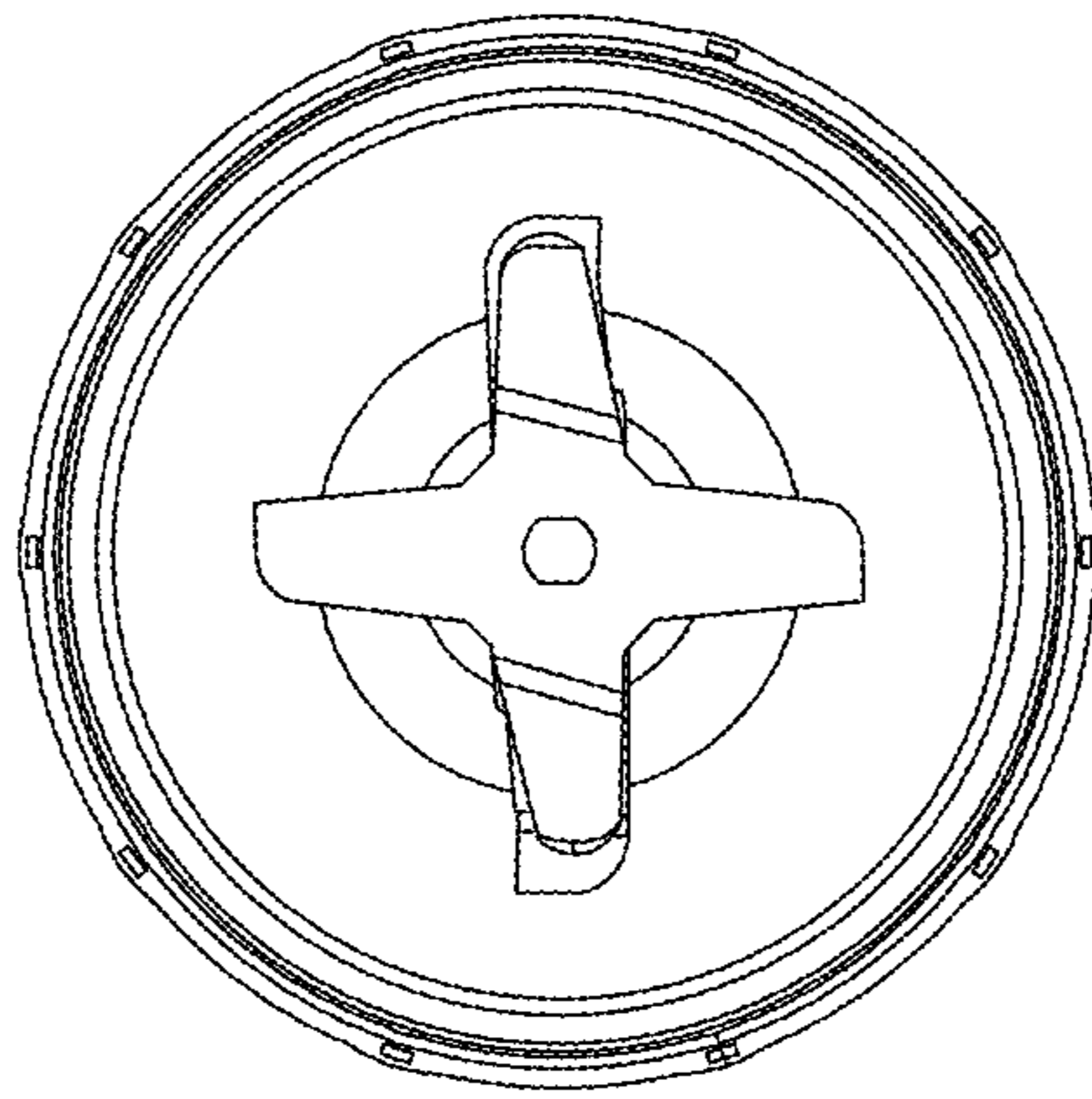


FIG. 30

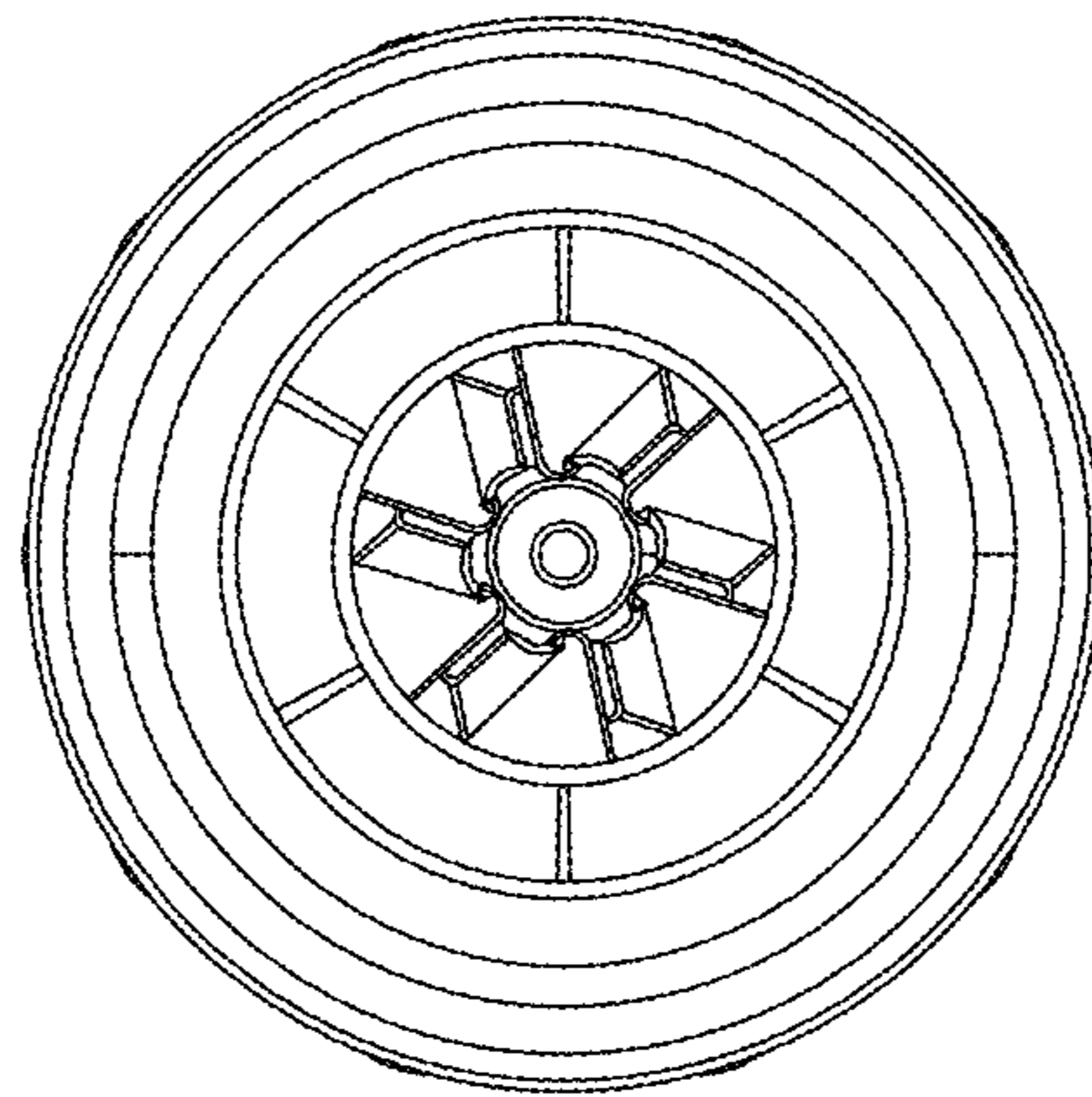


FIG. 31

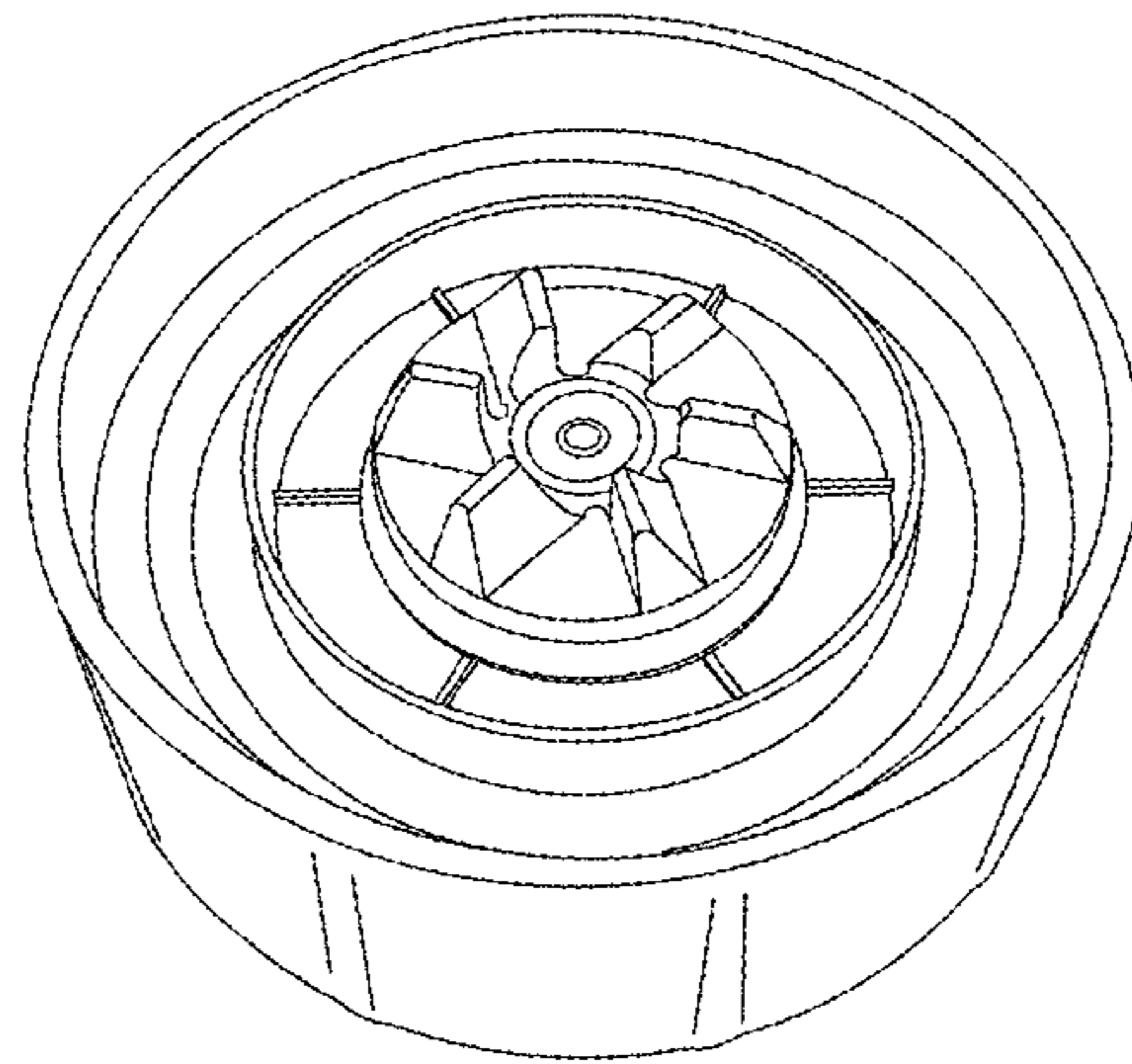


FIG. 32