



US00D801106S

(12) **United States Design Patent** (10) **Patent No.:** **US D801,106 S**
Mirchandani et al. (45) **Date of Patent:** **** Oct. 31, 2017**

(54) **COOKING APPARATUS**

- (71) Applicant: **Tristar Products, Inc.**, Fairfield, NJ (US)
- (72) Inventors: **Keith Mirchandani**, Fairfield, NJ (US);
Paul McGrath, Flanders, NJ (US);
James Mitrik, Long Pond, PA (US);
Alejandro G. Lozano, Guttenberg, NJ (US);
Michael Patrick Dugan, Boca Raton, FL (US)
- (73) Assignee: **Tristar Products, Inc.**, Fairfield, NJ (US)
- (**) Term: **15 Years**
- (21) Appl. No.: **29/596,199**
- (22) Filed: **Mar. 6, 2017**

Related U.S. Application Data

- (63) Continuation-in-part of application No. 29/596,040, filed on Mar. 3, 2017, which is a continuation-in-part (Continued)
- (51) **LOC (10) Cl.** **07-02**
- (52) **U.S. Cl.**
USPC **D7/357; D7/354**
- (58) **Field of Classification Search**
USPC D7/323, 354–361, 543, 545, 549, 550.1, D7/553.1–553.8, 554.1–554.4, 555, 557, D7/584, 586, 602, 688; D9/430–433, D9/455–456, 737, 756–762; D30/130
CPC .. A21B 3/00; A21B 3/003; A21B 3/13; A21B 3/15; A21B 3/134; A21B 3/135; A21B 3/137; A21B 5/00; A21B 5/02; A47J 36/022; A47J 36/025; A47J 36/027; A47J (Continued)

(56) **References Cited**

U.S. PATENT DOCUMENTS

- 2,607,338 A * 8/1952 Parenti A47J 37/10
126/215
- 3,473,489 A * 10/1969 Sargent A21B 3/13
249/115

(Continued)

FOREIGN PATENT DOCUMENTS

- DE 102013202315 A1 8/2014
- GB 475619 A 11/1937
- WO WO-9935059 A1 7/1999

Primary Examiner — Ricky Pham

(74) *Attorney, Agent, or Firm* — Adler Pollock & Sheehan P.C.

(57) **CLAIM**

The ornamental design for a cooking apparatus, as shown and described.

DESCRIPTION

FIG. 1 is a front perspective view of a first embodiment of a cooking apparatus in accordance with the subject disclosure.

FIG. 2 is a top view of the cooking apparatus of FIG. 1. FIG. 3 is a bottom view of the cooking apparatus of FIG. 1. FIG. 4 is a front view of the cooking apparatus of FIG. 1. FIG. 5 is a rear view of the cooking apparatus of FIG. 1. FIG. 6 is a top perspective view of the cooking apparatus of FIG. 1.

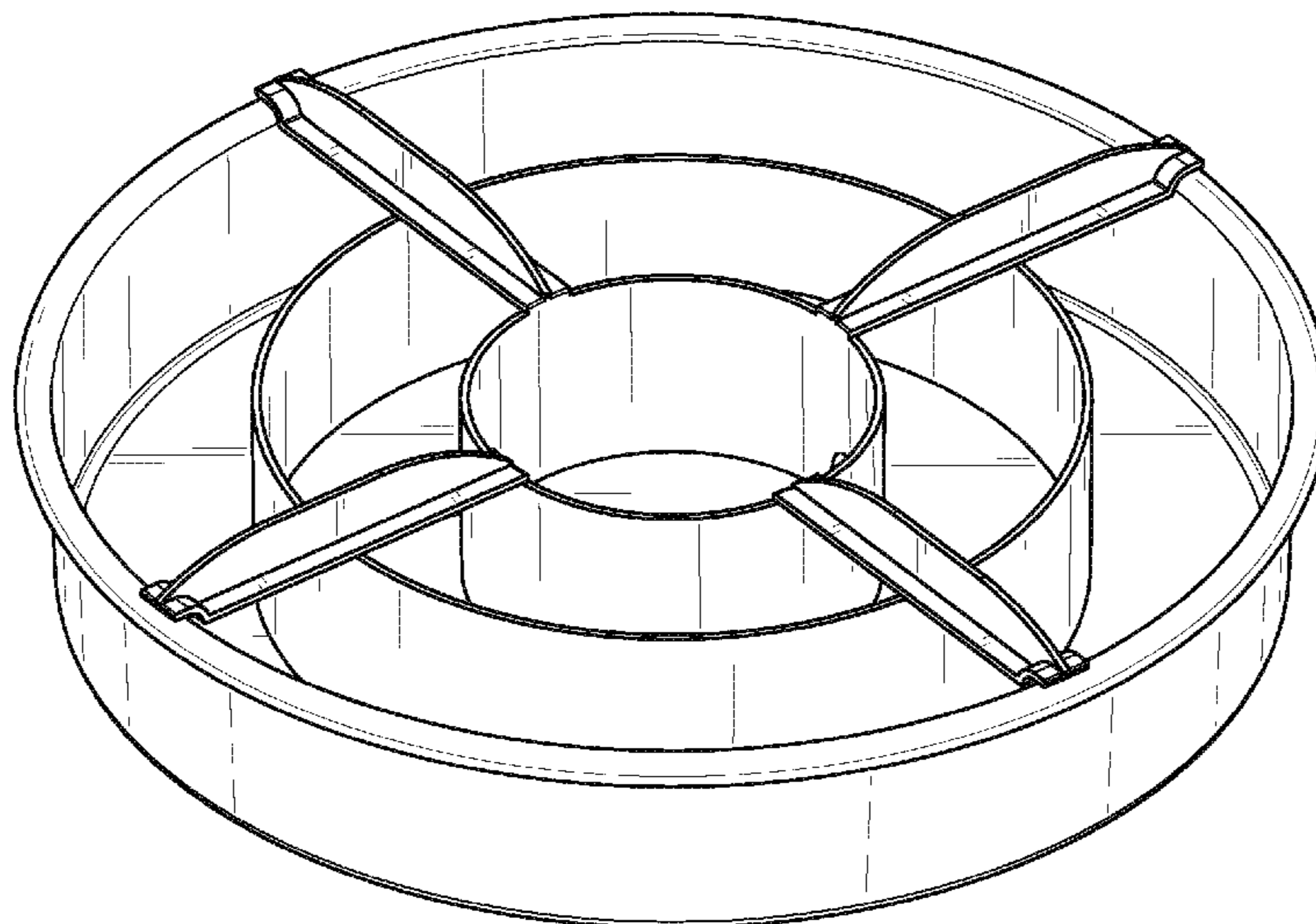
FIG. 7 is a bottom perspective view of the cooking apparatus of FIG. 1.

FIG. 8 is a right side view of the cooking apparatus of FIG. 1.

FIG. 9 is a left side view of the cooking apparatus of FIG. 1; and,

FIG. 10 is a front perspective view of a second embodiment of the cooking apparatus of FIG. 1 indicating surface shading for metal.

1 Claim, 10 Drawing Sheets



US D801,106 S

Page 2

Related U.S. Application Data

of application No. 29/596,020, filed on Mar. 3, 2017, which is a continuation-in-part of application No. 29/596,010, filed on Mar. 3, 2017.

(58) Field of Classification Search

CPC . 37/00; A47J 37/04; A47J 37/10; A47J 43/28; A47J 43/284; B65D 1/22; B65D 1/24; B65D 1/34; B65D 1/36; B65D 81/343; B65D 85/36; H05B 6/6494

See application file for complete search history.

(56) References Cited

U.S. PATENT DOCUMENTS

4,395,015 A * 7/1983 Reardon A21B 3/13
220/506
4,486,640 A * 12/1984 Bowen H05B 6/6494
219/729

D285,638 S * 9/1986 Trivison D7/557
4,644,858 A 2/1987 Liotto et al.
D326,743 S * 6/1992 Haynes D30/130
5,678,475 A * 10/1997 Villar Otero A21B 3/137
249/DIG. 1
D486,991 S * 2/2004 Lee D7/357
D527,954 S * 9/2006 Roth D7/557
7,478,588 B2 1/2009 Miller et al.
D609,058 S * 2/2010 Roth D7/602
D622,539 S 8/2010 Simon et al.
8,534,188 B1 9/2013 Winfield
D707,085 S * 6/2014 Carmichael D7/554.2
8,925,446 B2 1/2015 McPheron
9,107,421 B2 * 8/2015 Campbell A21B 3/135
D747,151 S * 1/2016 Liming D7/553.6
9,532,676 B1 1/2017 Winfield
2005/0217498 A1 10/2005 Miller et al.
2011/0088566 A1 4/2011 Doxie
2012/0308701 A1 12/2012 Campbell et al.

* cited by examiner

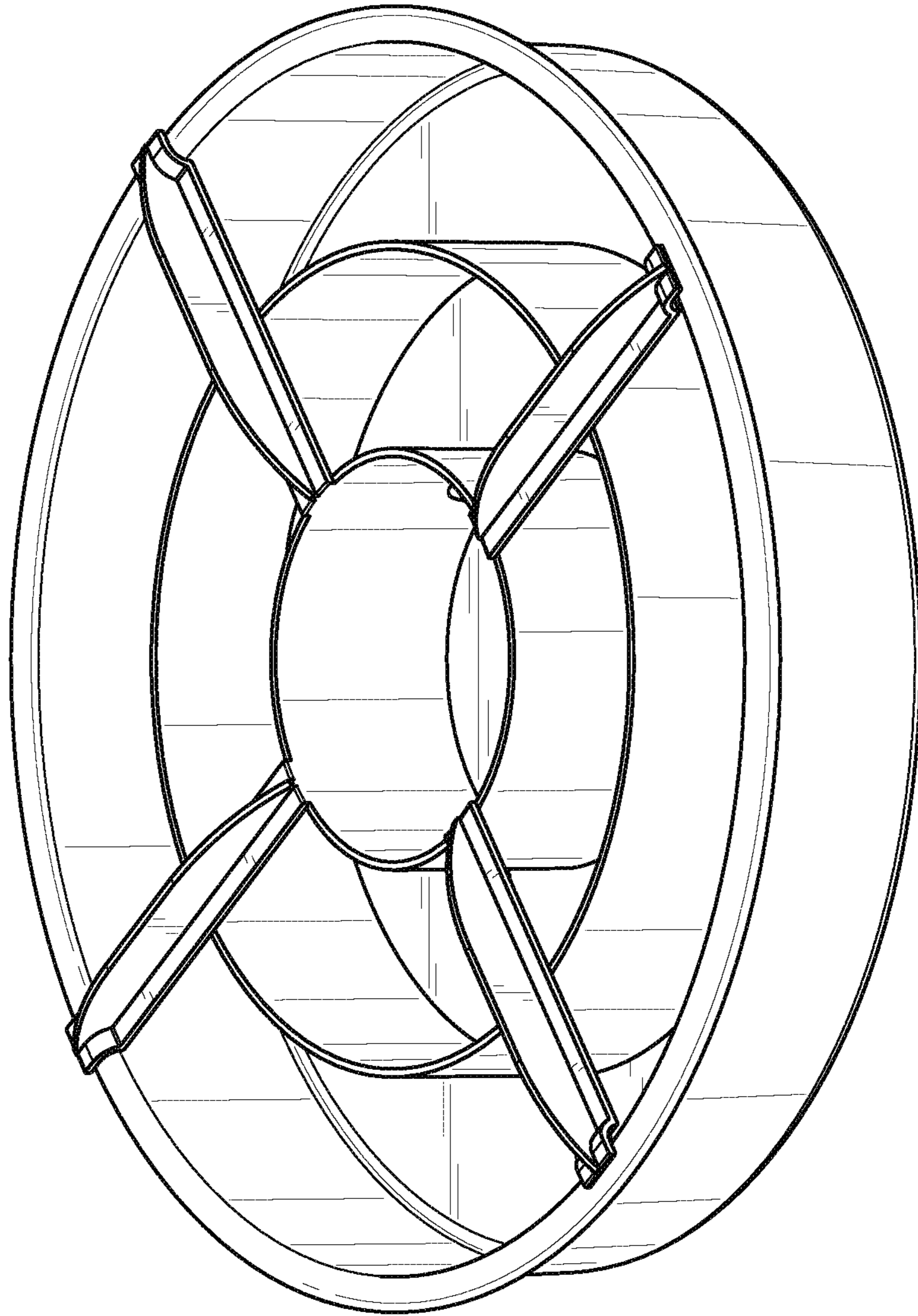


FIG. 1

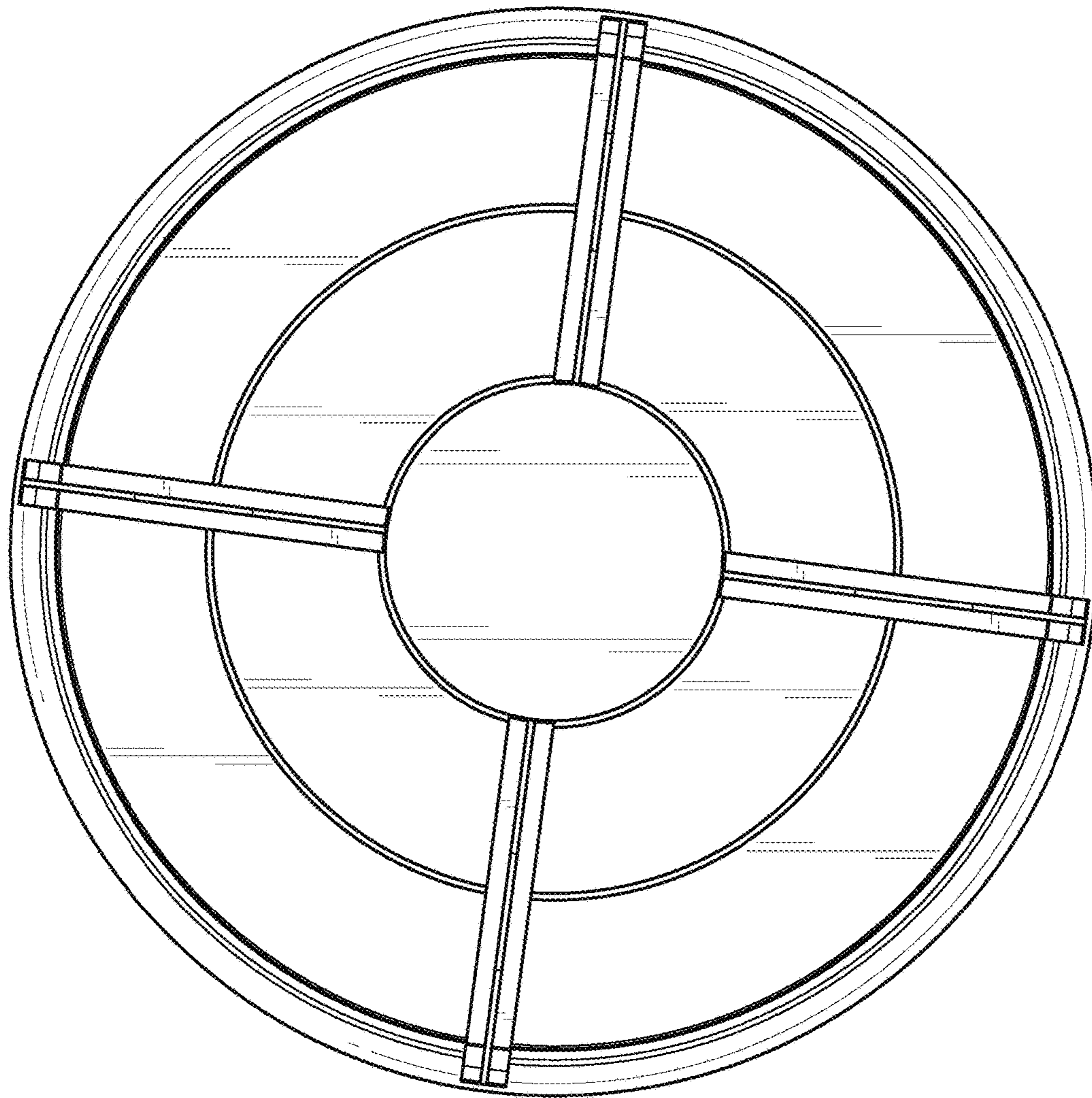


FIG. 2

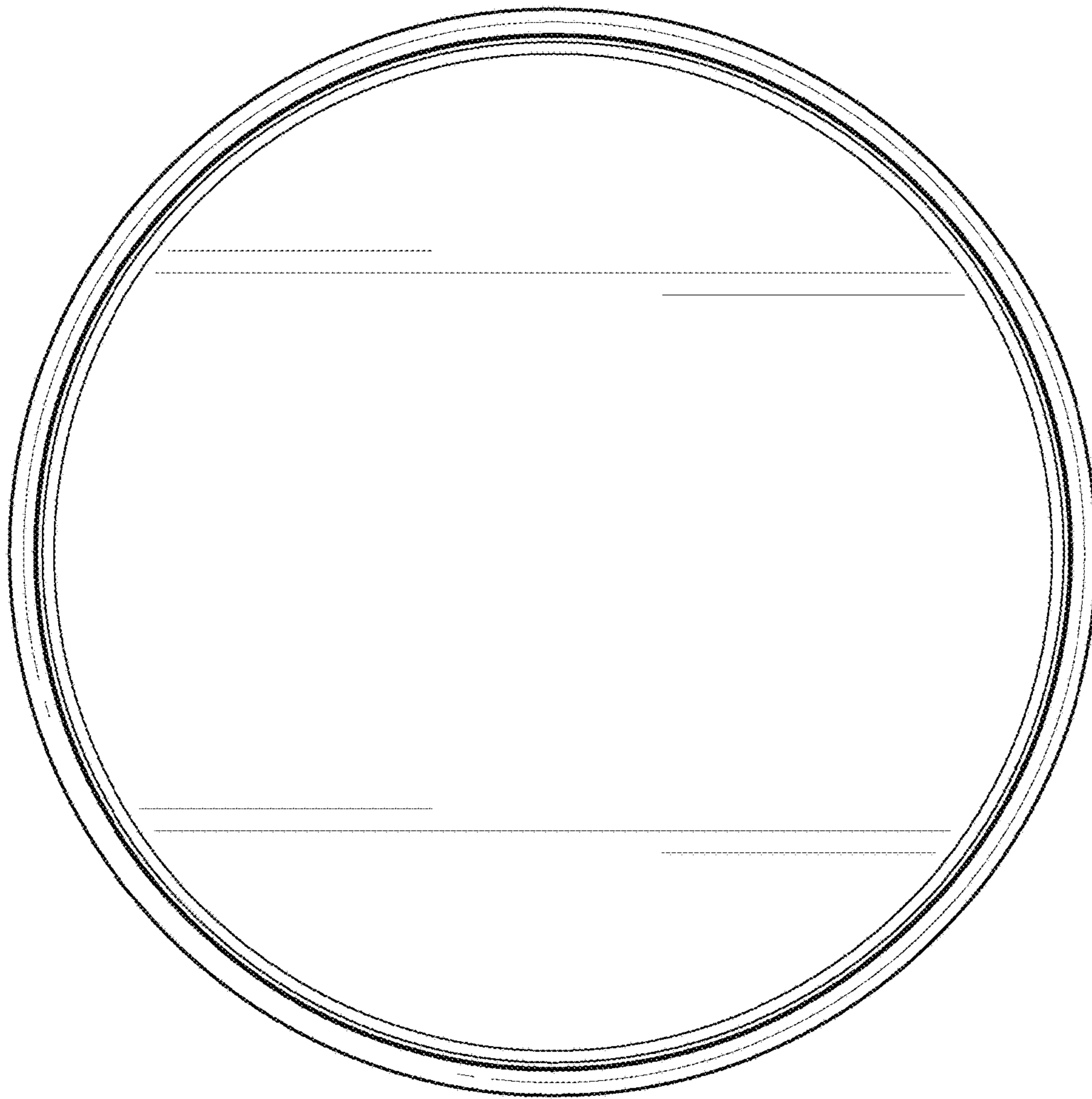


FIG. 3

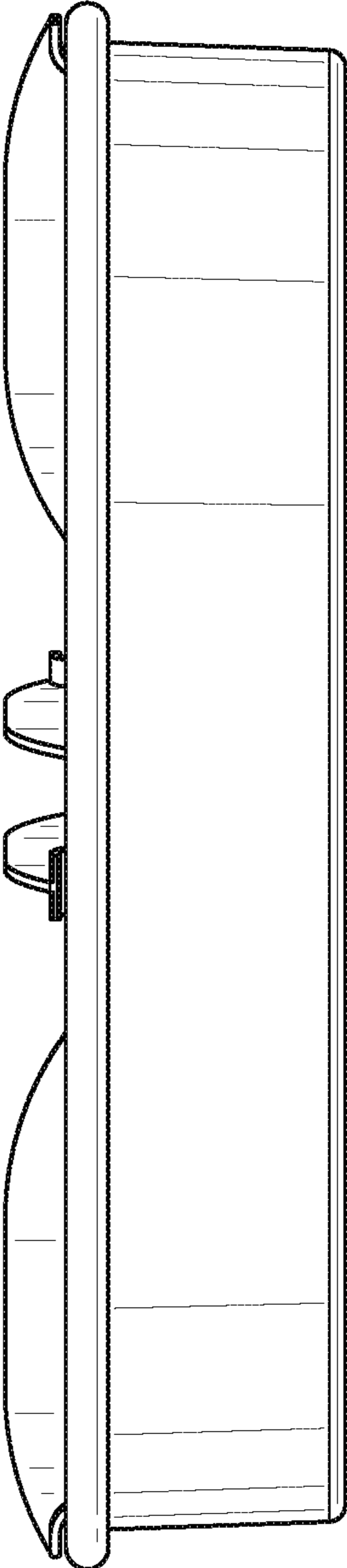


FIG. 4

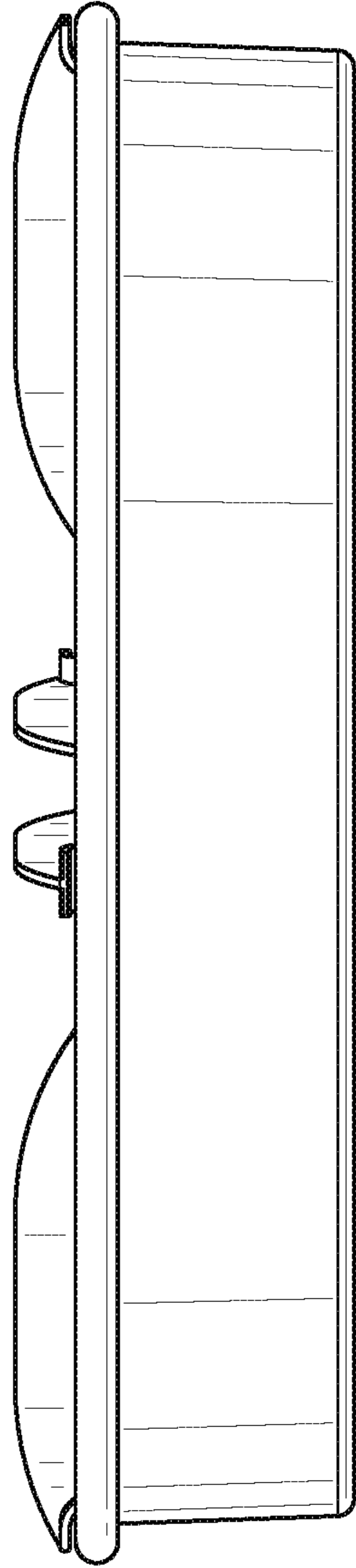


FIG. 5

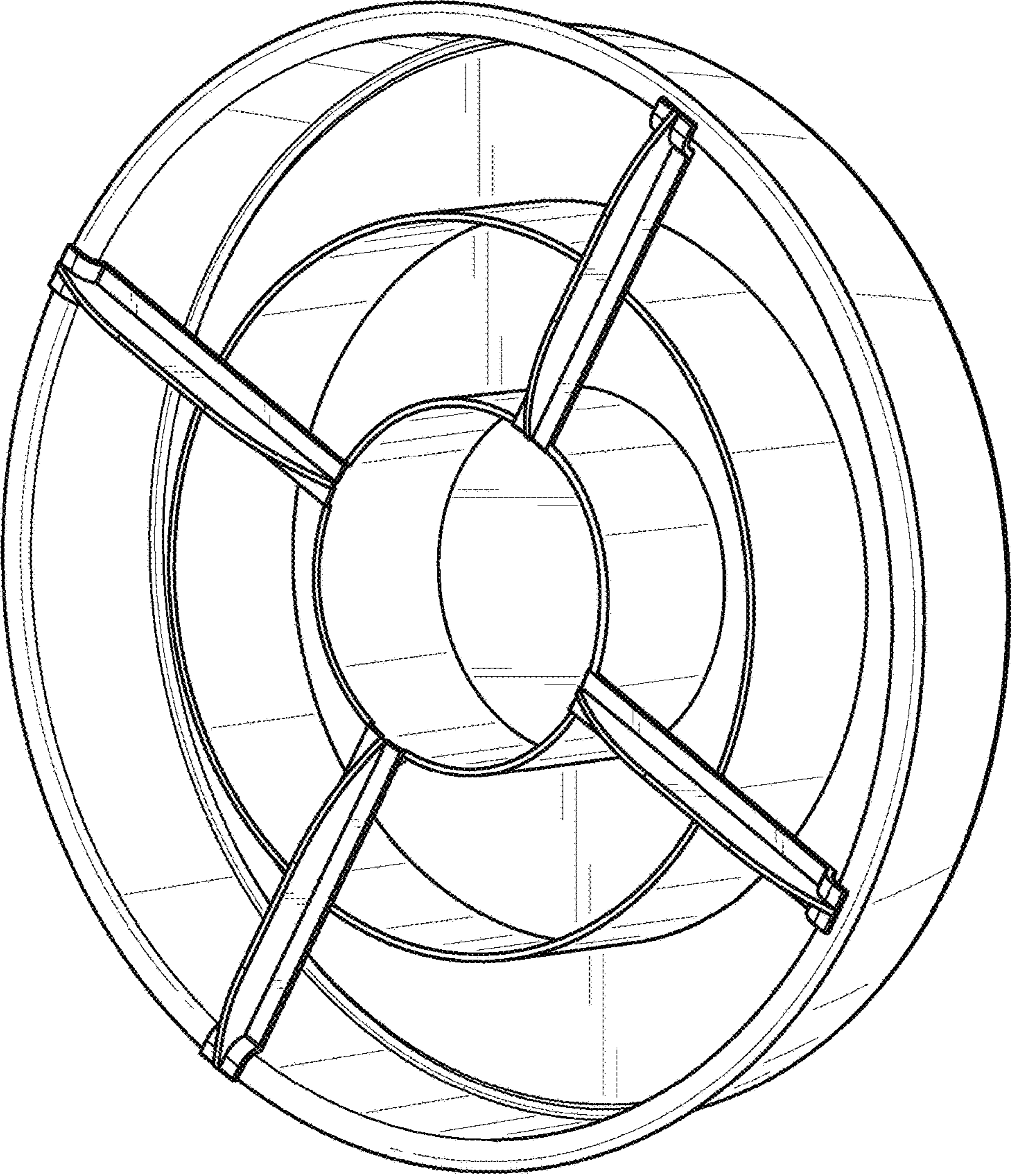


FIG. 6

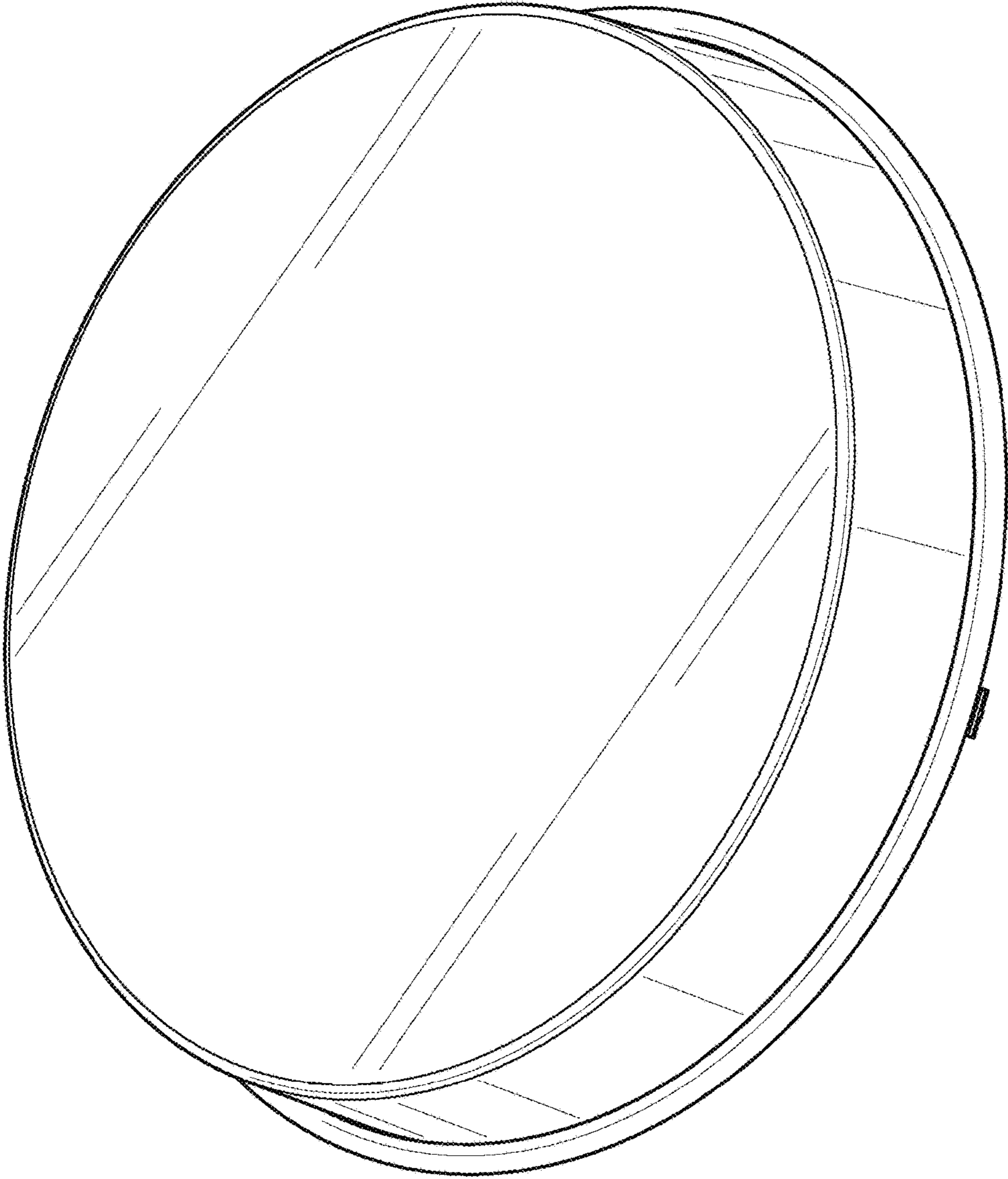


FIG. 7

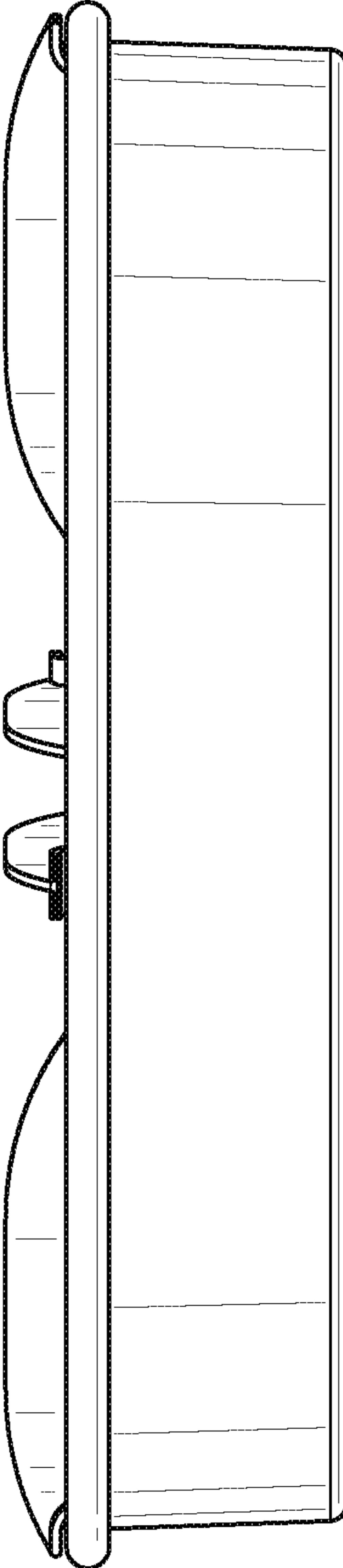


FIG. 8

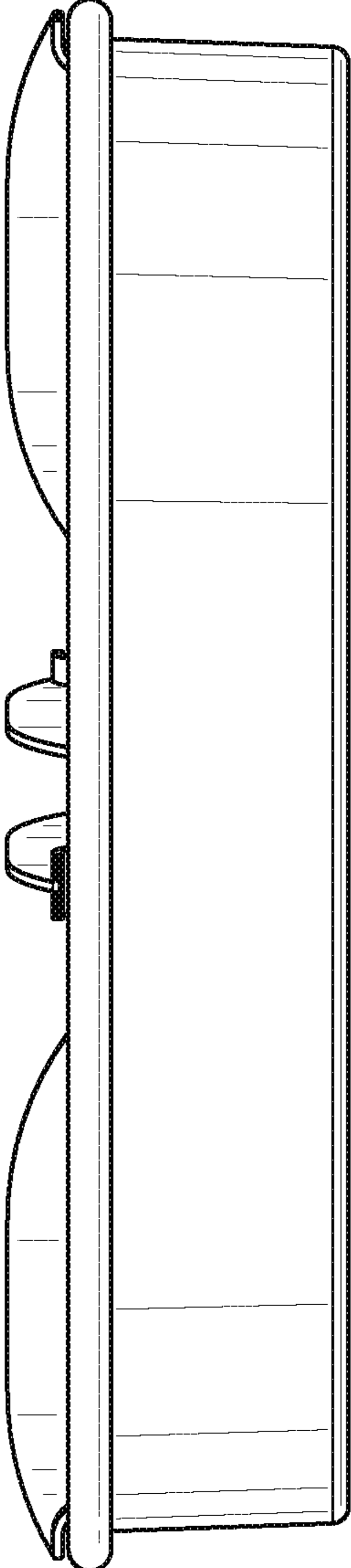


FIG. 9

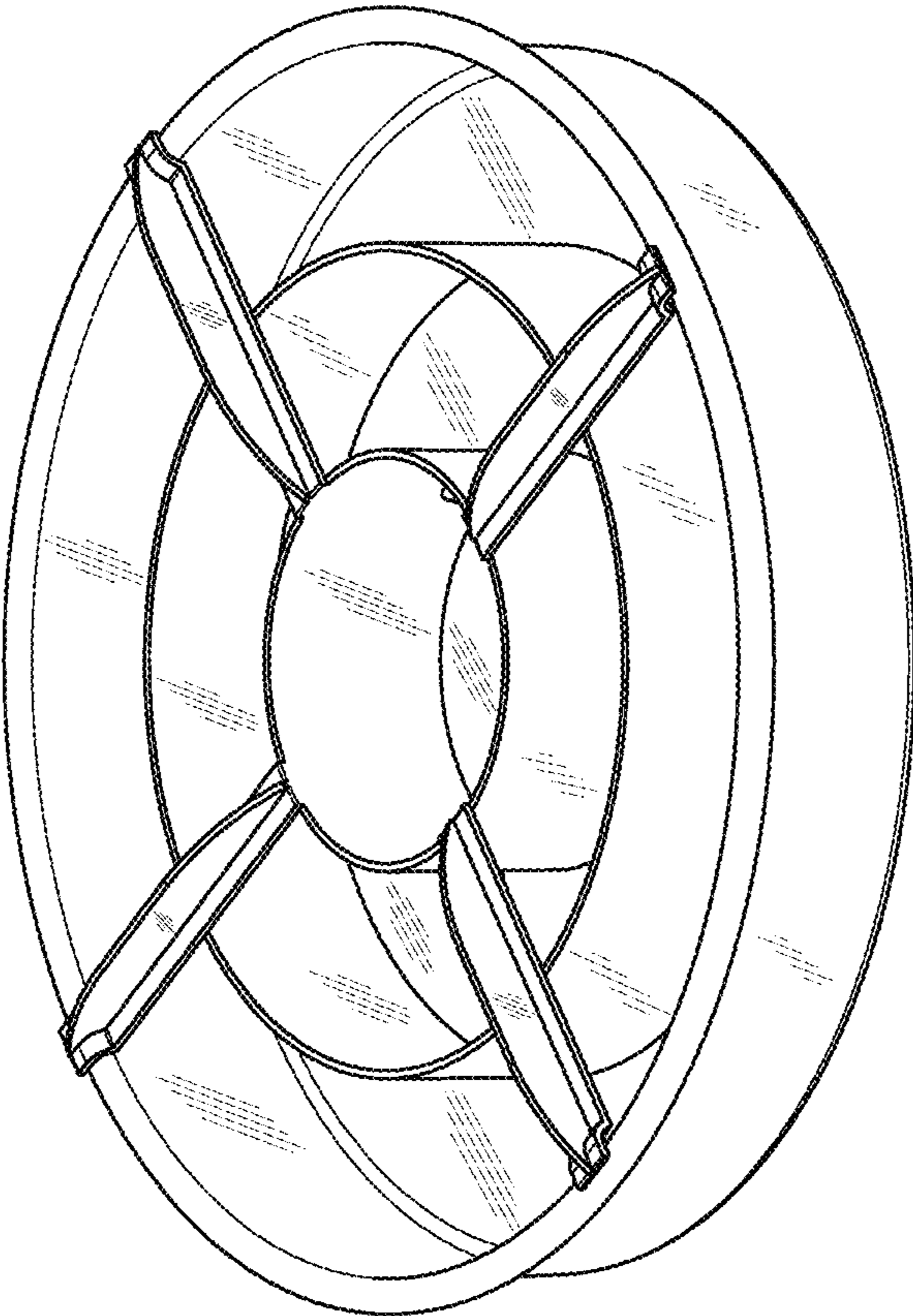


FIG. 10