



US00D801104S

(12) **United States Design Patent**
Mirchandani et al.

(10) **Patent No.:** **US D801,104 S**
(45) **Date of Patent:** **** Oct. 31, 2017**

(54) **COOKING APPARATUS**

4,106,486 A * 8/1978 Lee A47J 27/04
126/369

(71) Applicant: **Tristar Products, Inc.**, Fairfield, NJ
(US)

4,195,747 A 4/1980 Hare
4,865,858 A 9/1989 Petcavich
(Continued)

(72) Inventors: **Keith Mirchandani**, Fairfield, NJ (US);
Paul McGrath, Flanders, NJ (US);
James Mitrik, Long Pond, PA (US);
Alejandro G. Lozano, Guttenberg, NJ
(US)

FOREIGN PATENT DOCUMENTS

CA 99505 A 6/1906
CN 203776009 U 8/2014
(Continued)

(73) Assignee: **Tristar Products, Inc.**, Fairfield, NJ
(US)

Primary Examiner — Ricky Pham
(74) *Attorney, Agent, or Firm* — Adler Pollock &
Sheehan P.C.

(**) Term: **15 Years**

(21) Appl. No.: **29/595,954**

(57) **CLAIM**

(22) Filed: **Mar. 3, 2017**

The ornamental design for a cooking apparatus, as shown
and described.

(51) **LOC (10) Cl.** **07-02**

(52) **U.S. Cl.**

USPC **D7/354**

(58) **Field of Classification Search**

USPC D7/323, 354–361, 409, 543, 545, 549,
D7/550.1, 553.1–553.8, 554.1–554.4, 555,
D7/584, 586, 667, 688; D9/430–433,
D9/455–456, 737, 756–762; D30/161
CPC .. A21B 3/00; A21B 3/003; A21B 3/13; A21B
3/15; A21B 3/134; A21B 5/00; A21B
5/02; A47J 27/04; A47J 27/10; A47J
36/022; A47J 36/025; A47J 36/027; A47J
37/00; A47J 37/04; A47J 43/28; A47J
43/284; B65D 1/22; B65D 1/24; B65D
1/34; B65D 1/36; B65D 81/343; B65D
85/36

See application file for complete search history.

DESCRIPTION

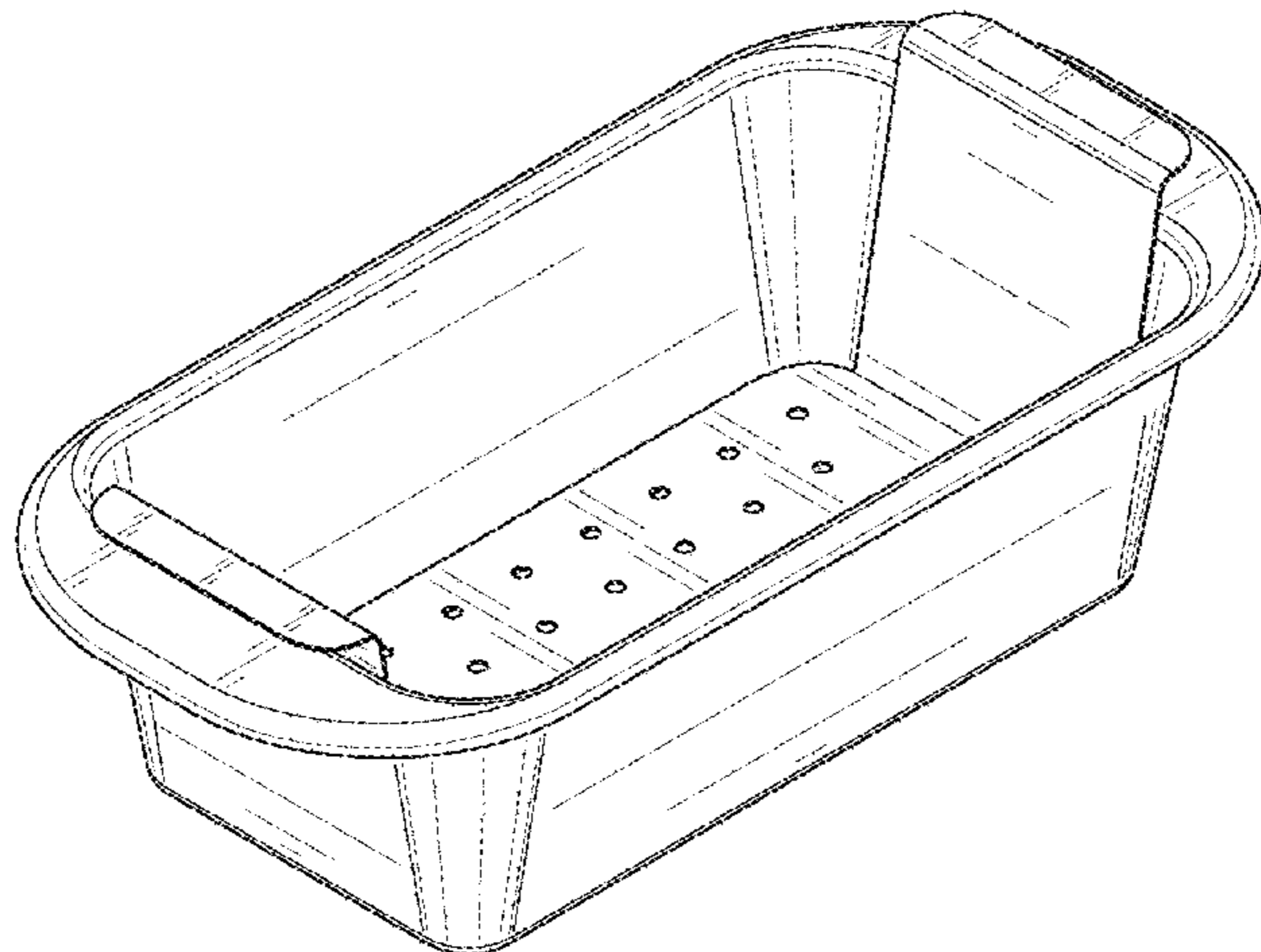
FIG. 1 is a front perspective view of a first embodiment of
a cooking apparatus in accordance with the subject disclo-
sure.
FIG. 2 is a right side view of the cooking apparatus of FIG.
1.
FIG. 3 is a left side view of the cooking apparatus of FIG.
1.
FIG. 4 is a front view of the cooking apparatus of FIG. 1.
FIG. 5 is a rear view of the cooking apparatus of FIG. 1.
FIG. 6 is a top view of the cooking apparatus of FIG. 1.
FIG. 7 is a bottom view of the cooking apparatus of FIG. 1.
FIG. 8 is a top perspective view of the cooking apparatus of
FIG. 1.
FIG. 9 is a bottom perspective view of the cooking apparatus
of FIG. 1; and,
FIG. 10 is a front perspective view of a second embodiment
of the cooking apparatus of FIG. 1 indicating surface shad-
ing for metal.

(56) **References Cited**

U.S. PATENT DOCUMENTS

1,671,450 A * 5/1928 Ross A21B 3/134
220/23.2
4,014,451 A 3/1977 Cannon et al.

1 Claim, 10 Drawing Sheets



(56)

References Cited

U.S. PATENT DOCUMENTS

D384,555	S	*	10/1997	Bradley	D7/360
5,800,853	A		9/1998	Wang		
D437,180	S		2/2001	Emrich		
D445,633	S		7/2001	Bradley		
D466,758	S		12/2002	Bradley		
6,546,850	B1		4/2003	Akiyama-Warren		
D528,376	S	*	9/2006	Munson	D7/356
D559,621	S	*	1/2008	Raichlen	D7/409
D569,169	S	*	5/2008	Munson	D7/354
D584,112	S	*	1/2009	Ehrenhaus	D7/667
D588,859	S	*	3/2009	Simon	D7/354
D615,825	S	*	5/2010	Curtin	D7/667
D641,217	S	*	7/2011	Chen	D7/667
D684,733	S	*	6/2013	Altoon	D30/161
D777,535	S	*	1/2017	Zemel	D7/629
2005/0098046	A1		5/2005	Morgan		
2010/0263552	A1*		10/2010	Hendrickson	A47J 27/10 99/416
2015/0069215	A1		3/2015	Kohnen		
2015/0250189	A1		9/2015	Marin Moro		

FOREIGN PATENT DOCUMENTS

GB	802872	A	10/1958
GB	835370	A	5/1960
GB	2073582	A	10/1981
GB	2075824	A	11/1981
GB	2451496	A	2/2009
JP	2009508512	A	3/2009
WO	WO-890210	A1	1/1989
WO	WO-9533360	A1	12/1995
WO	WO-2006062527	A1	6/2006

* cited by examiner

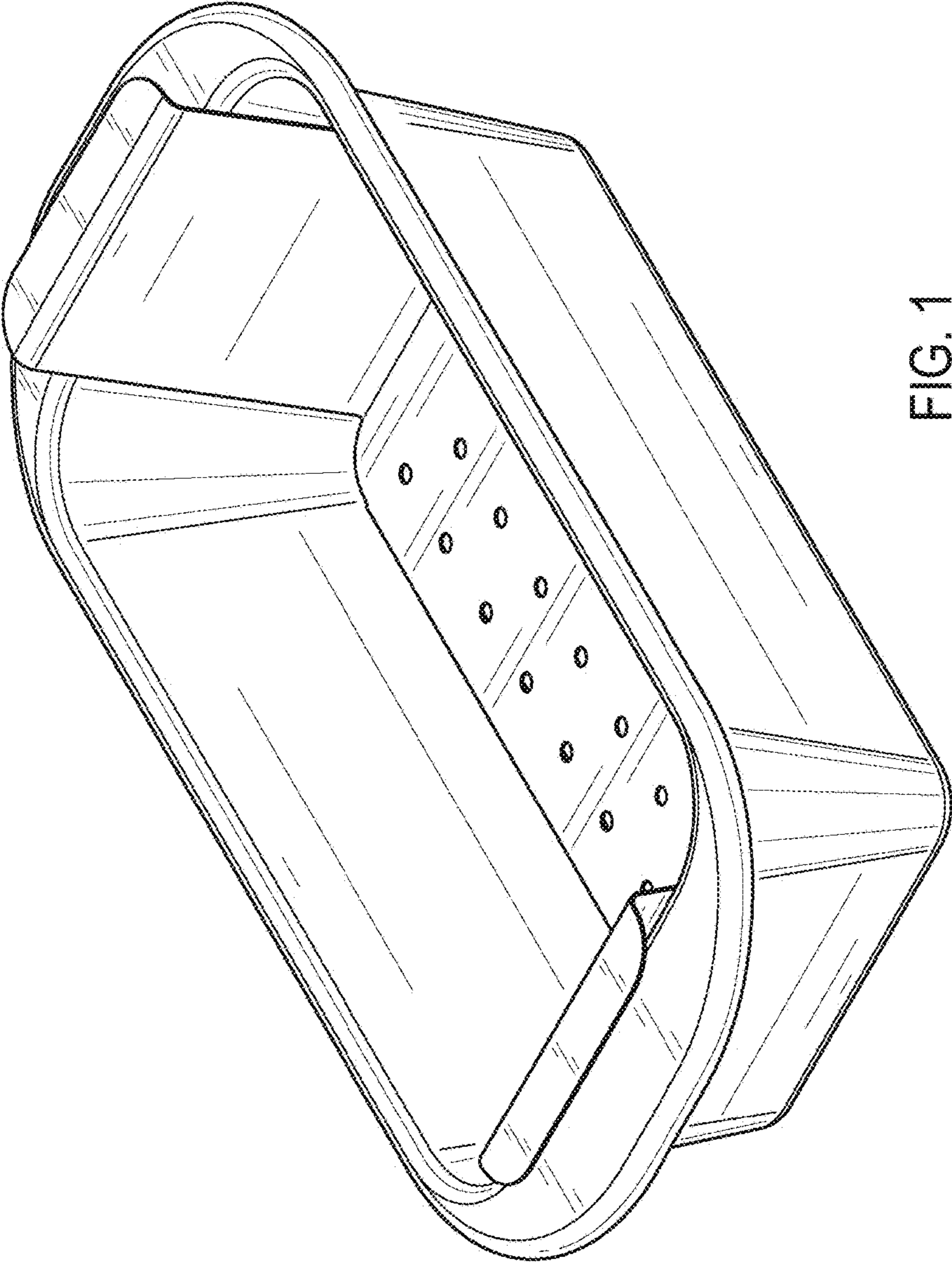


FIG. 1

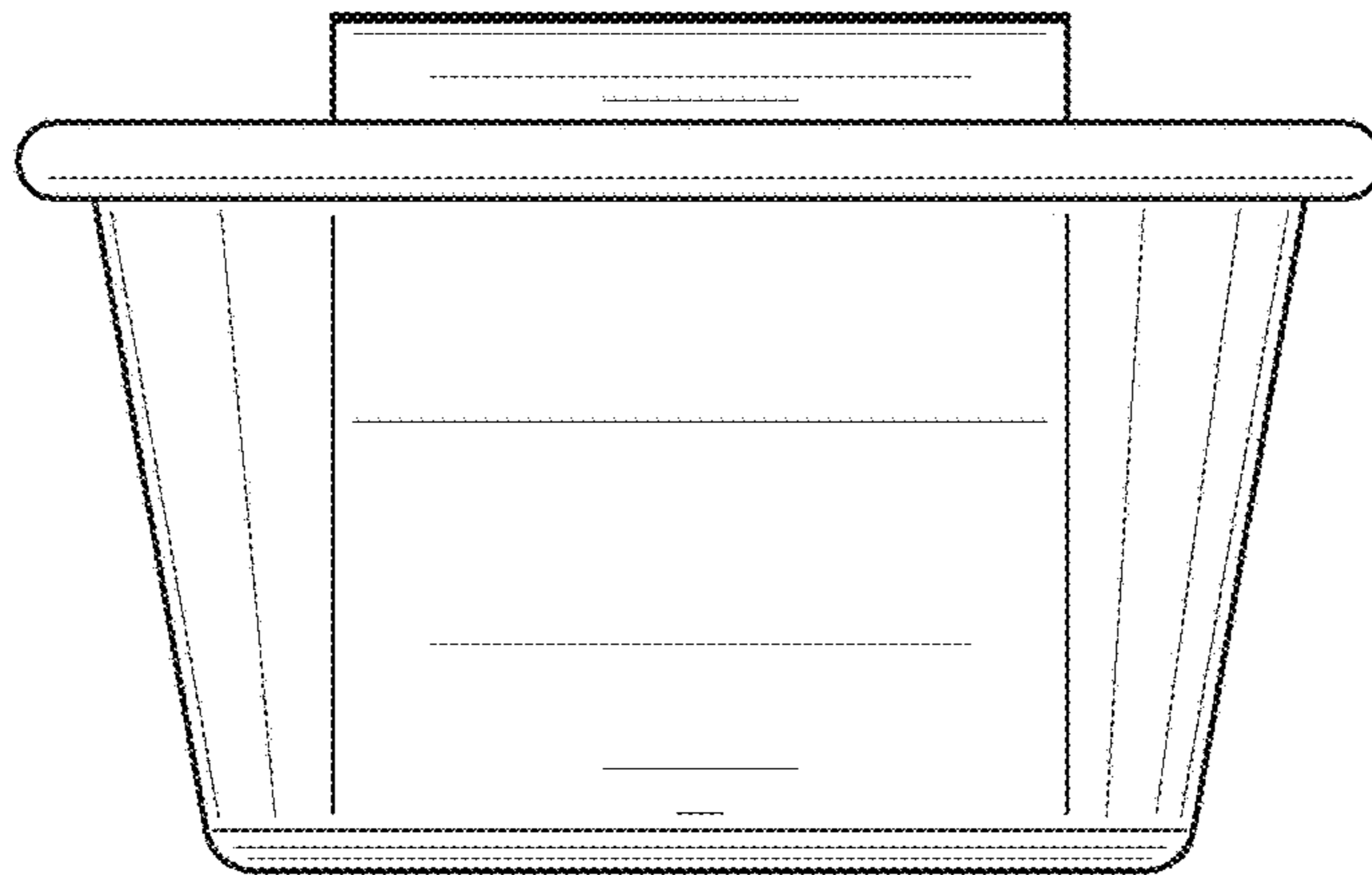


FIG. 2

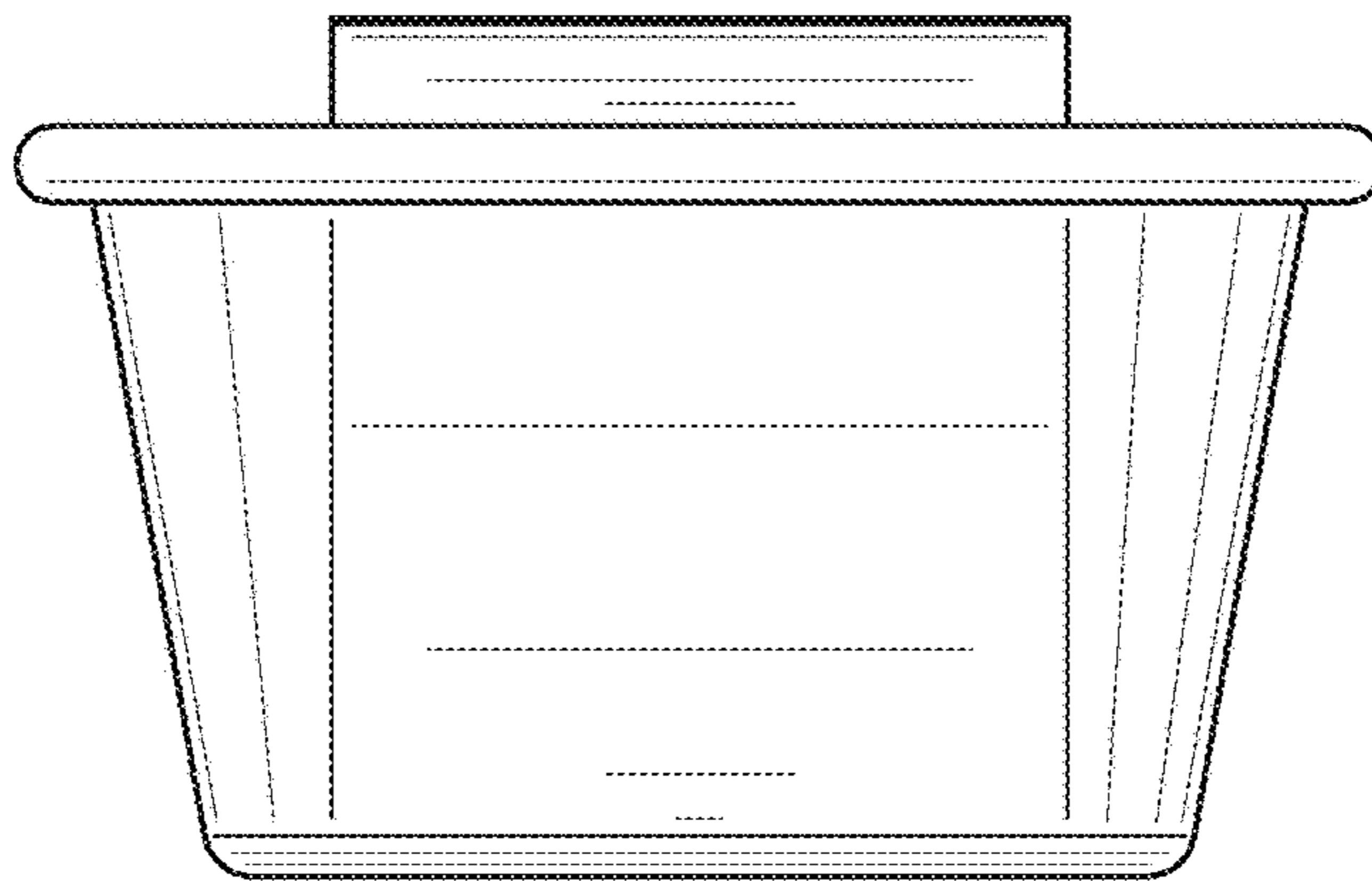


FIG. 3

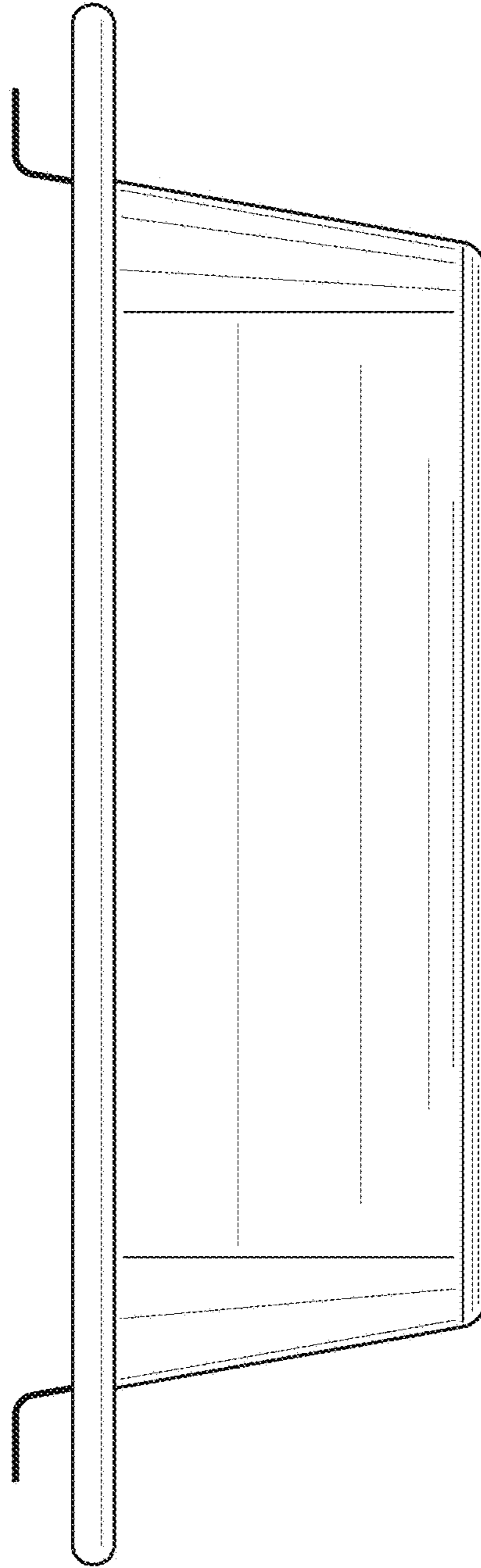


FIG. 4

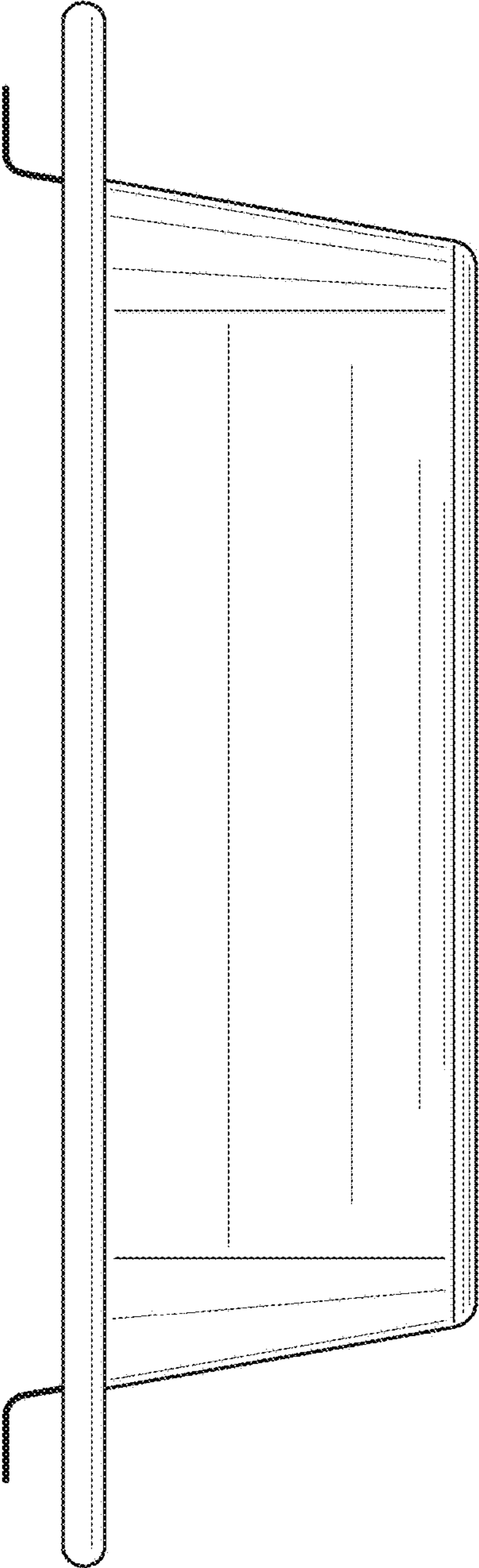


FIG. 5

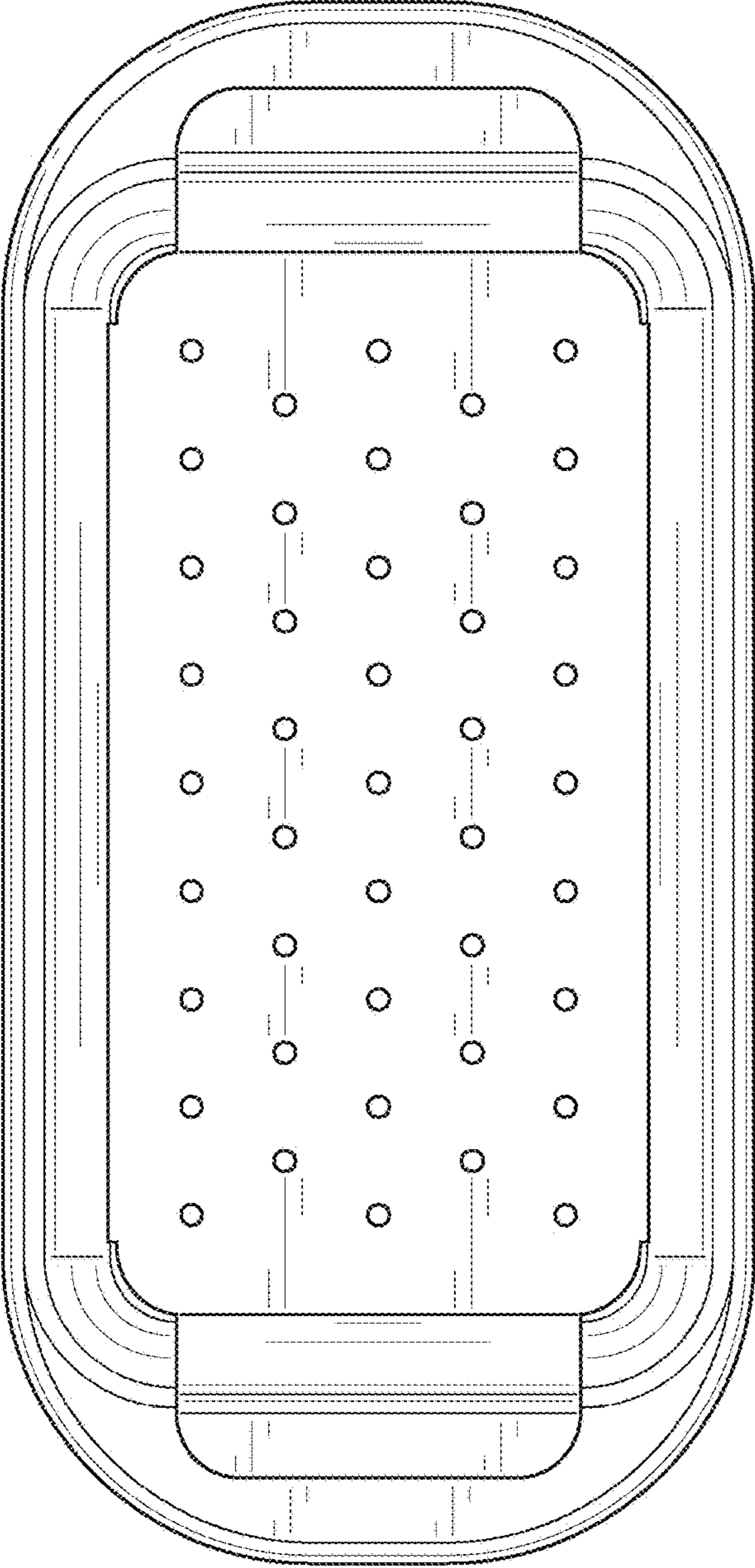


FIG. 6

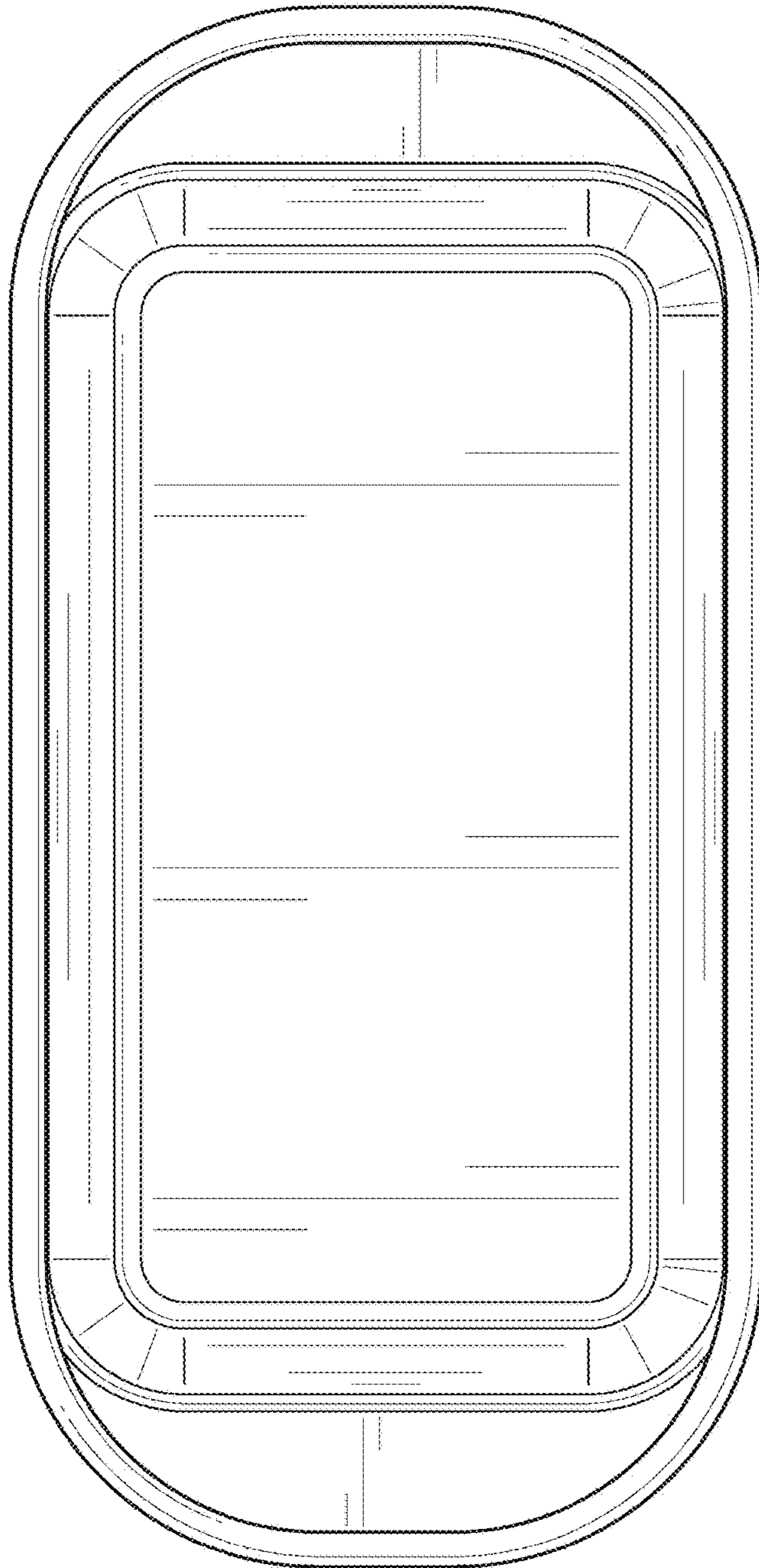


FIG. 7

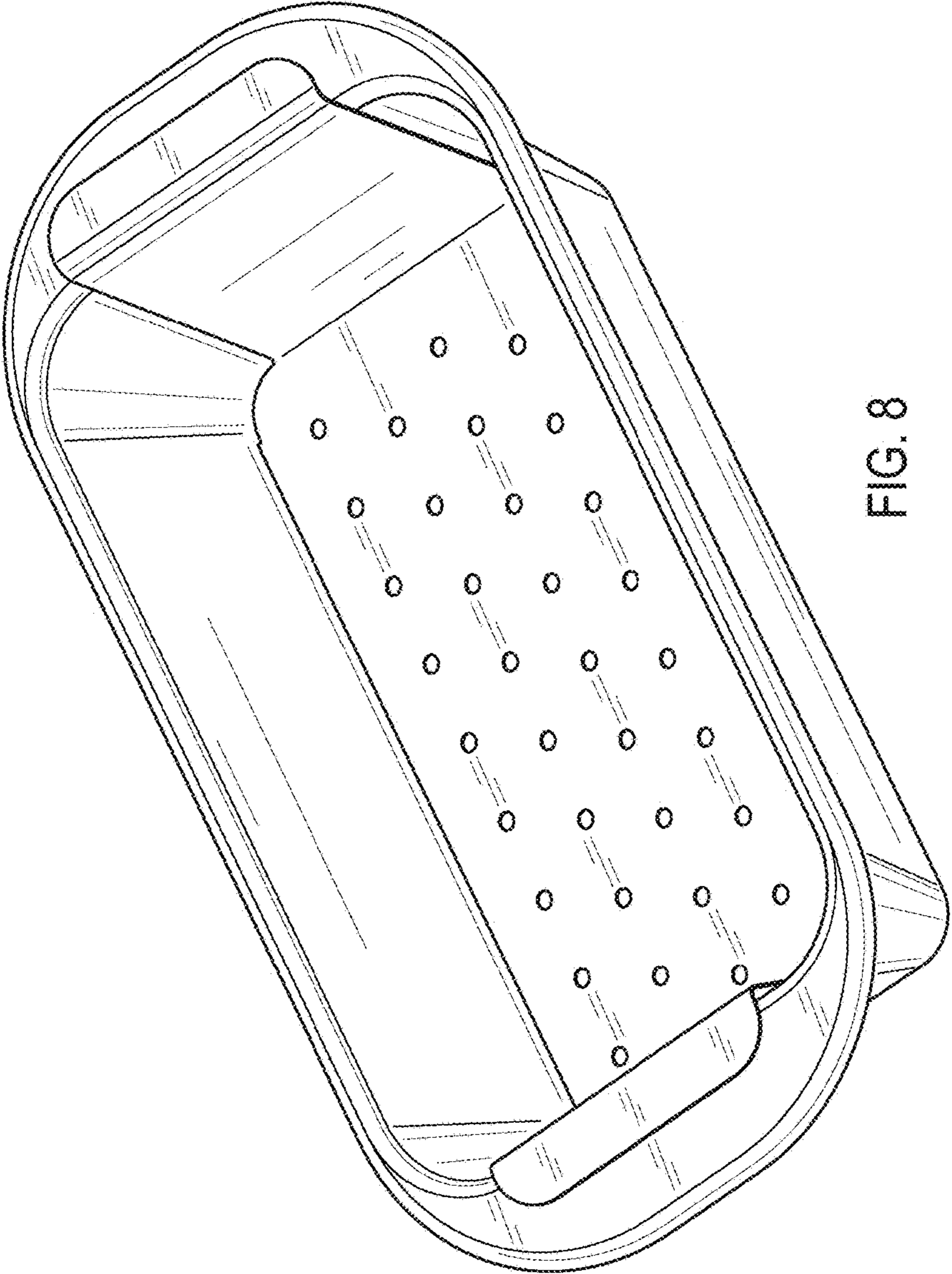


FIG. 8

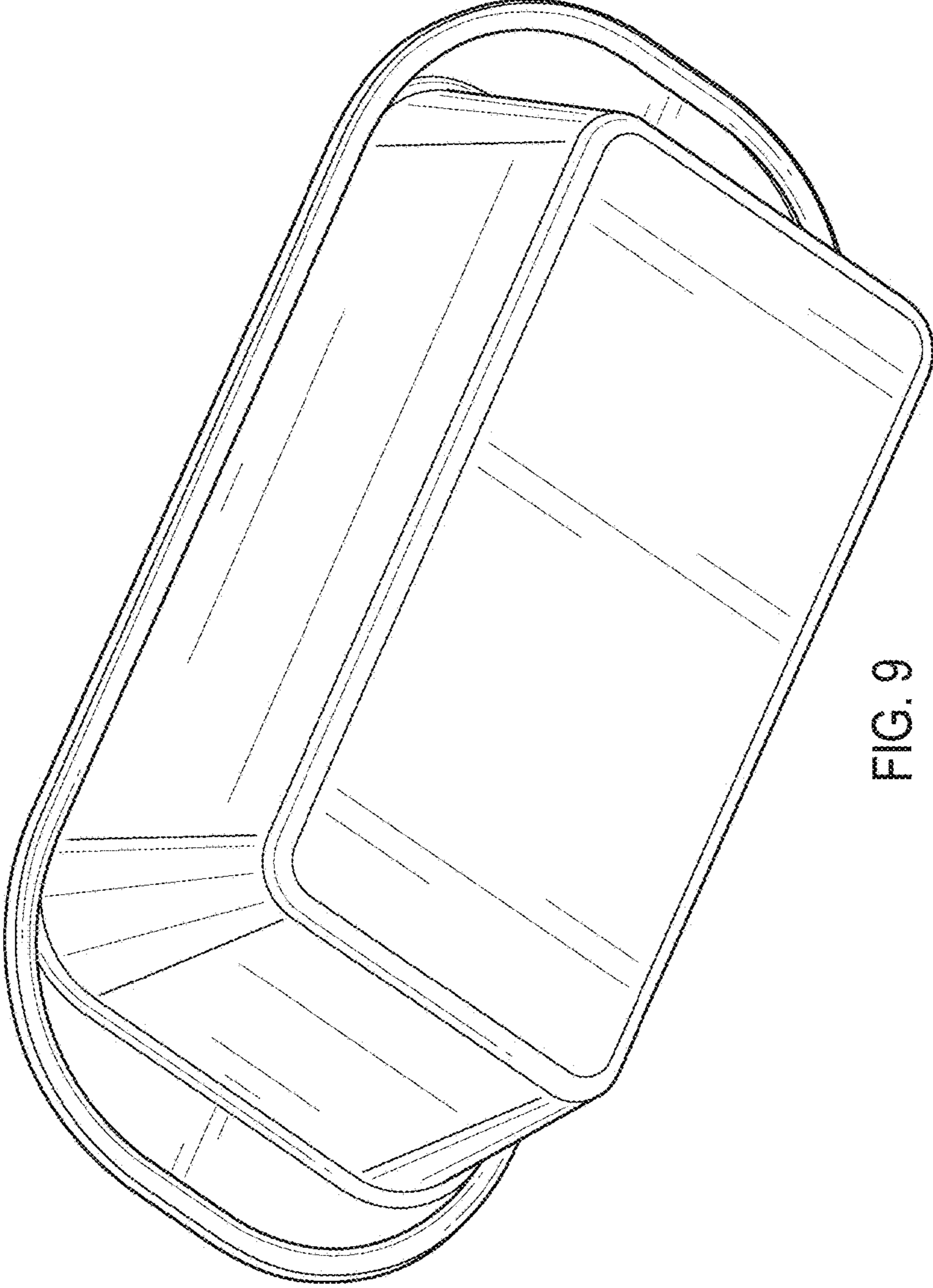


FIG. 9

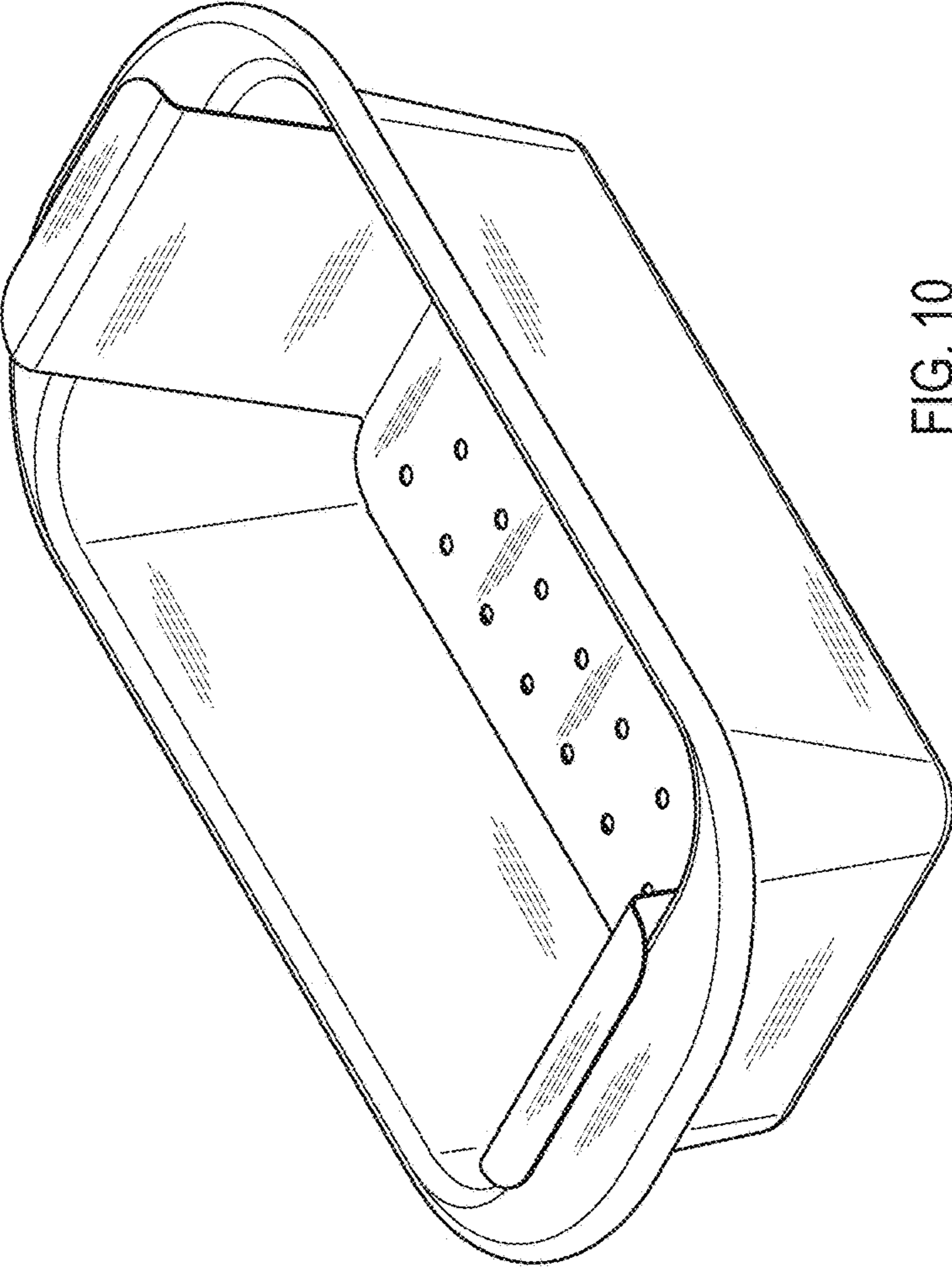


FIG. 10