



US00D801103S

(12) **United States Design Patent** (10) **Patent No.:** **US D801,103 S**
Krooshof (45) **Date of Patent:** **** Oct. 31, 2017**

(54) **LOW FAT FRYER MULTICOOKER**

37/1285; A47J 37/129; A47J 37/1295;
G07F 17/0064; G07F 17/0078; G07F
17/0085; H05B 6/02; H05B 6/06; H05B
6/12

(71) Applicant: **KONINKLIJKE PHILIPS N.V.**,
Eindhoven (NL)

See application file for complete search history.

(72) Inventor: **Roeland Gerard Krooshof**, Rotterdam
(NL)

(56) **References Cited**

(73) Assignee: **KONINKLIJKE PHILIPS N.V.**,
Eindhoven (NL)

U.S. PATENT DOCUMENTS

(**) Term: **15 Years**

3,020,824 A	2/1962	Pantermoller	
D210,057 S *	1/1968	Pfrommer	D28/76
D299,903 S	2/1989	Grutzke	
D313,531 S	1/1991	Barrault	
D369,270 S	4/1996	Payen	
D394,187 S	5/1998	Orrico et al.	

(21) Appl. No.: **29/586,661**

(Continued)

(22) Filed: **Dec. 6, 2016**

Related U.S. Application Data

OTHER PUBLICATIONS

(63) Continuation of application No. 29/560,172, filed on
Apr. 4, 2016, which is a continuation of application
No. 29/509,436, filed on Nov. 18, 2014, now
abandoned, which is a continuation of application No.
29/466,292, filed on Sep. 6, 2013, now Pat. No. Des.
719,397.

Roeland Gerard Krooshof, U.S. Appl. No. 29/560,172, Low Fat
Fryer Multicooker, filed Apr. 4, 2016.

(Continued)

Primary Examiner — Ricky Pham

(30) **Foreign Application Priority Data**

(57) **CLAIM**

Mar. 7, 2013 (EM) 002198499-0001

The ornamental design for a low fat fryer multicooker, as
shown and described.

(51) **LOC (10) Cl.** **07-02**

DESCRIPTION

(52) **U.S. Cl.**

USPC **D7/354**

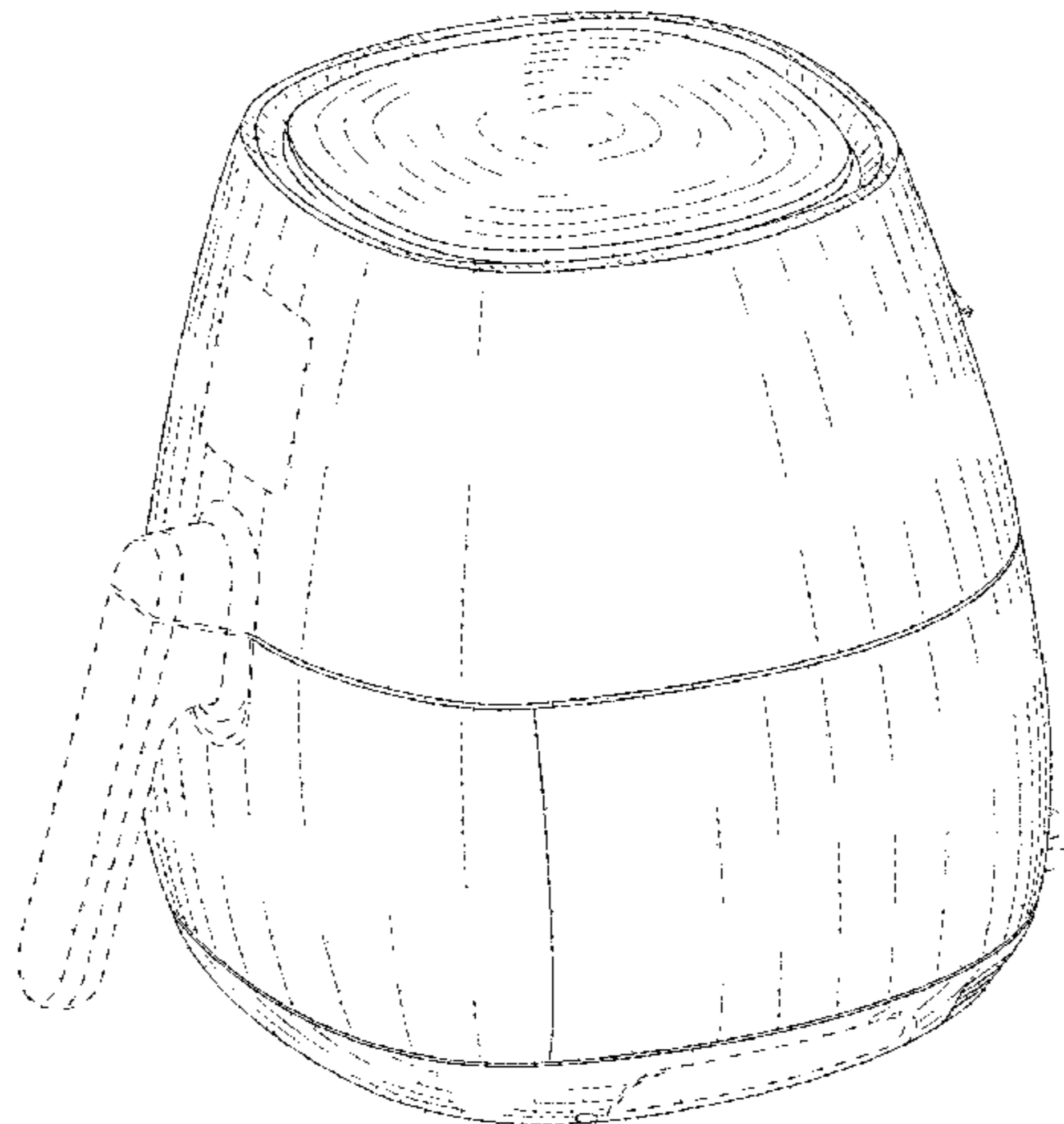
(58) **Field of Classification Search**

USPC D7/317-319, 323, 354-361; D28/7, 76
CPC A23L 1/01; A23L 1/0107; A23L 1/0114;
A47J 27/00; A47J 27/08; A47J 27/09;
A47J 27/092; A47J 31/0689; A47J
36/025; A47J 36/06; A47J 36/08; A47J
36/10; A47J 36/12; A47J 36/165; A47J
36/18; A47J 36/20; A47J 36/22; A47J
37/00; A47J 37/0641; A47J 37/12; A47J
37/1204; A47J 37/1209; A47J 37/1214;
A47J 37/1219; A47J 37/1266; A47J

FIG. 1 is a top, front, right perspective view showing my
design;
FIG. 2 is a front elevational view thereof;
FIG. 3 is a rear elevational view thereof;
FIG. 4 is a left side elevational view thereof;
FIG. 5 is a right side elevational view thereof;
FIG. 6 is a top plan view thereof; and,
FIG. 7 is a bottom plan view thereof.

The broken lines of even length depict portions of the low
fat fryer multicooker that form no part of the claimed design.

1 Claim, 7 Drawing Sheets



(56)

References Cited

U.S. PATENT DOCUMENTS

D436,795 S 1/2001 Martres et al.
D448,236 S 9/2001 Murray
D464,526 S 10/2002 Brown
6,499,390 B1 12/2002 Huang
6,807,899 B2 10/2004 Dirand
D510,238 S 10/2005 Yen
D522,796 S 6/2006 Teh-Hsiung
D525,478 S 7/2006 Averty
D533,393 S 12/2006 Sidet et al.
D552,921 S 10/2007 Garman et al.
D555,427 S 11/2007 Picozza et al.
D557,552 S 12/2007 Matras
D592,008 S 5/2009 Reiner
D603,647 S * 11/2009 Bodum D7/317
D611,757 S 3/2010 Reiner
D630,467 S 1/2011 Harrod
D653,902 S 2/2012 Chen
D673,426 S 1/2013 Heiberg et al.
D674,651 S 1/2013 Berge
D677,112 S 3/2013 Piret
D677,113 S 3/2013 Reiner

D680,800 S 4/2013 Berge
D680,801 S 4/2013 Seymour
D680,802 S 4/2013 Seymour
D681,392 S 5/2013 Dichraff et al.
D688,094 S 8/2013 Arnold et al.
D692,718 S 11/2013 Verbrugge et al.
D701,075 S 3/2014 Wai
D726,485 S * 4/2015 Mullen D7/317
D742,161 S * 11/2015 Manly D7/317
D772,481 S * 11/2016 Paquet D28/7
D787,260 S * 5/2017 Krooshof D7/354
2005/0204925 A1 * 9/2005 Orrico A47J 31/0689
99/275
2008/0213447 A1 * 9/2008 Payen A47J 37/0641
426/438
2008/0274246 A1 11/2008 Gluckman et al.

OTHER PUBLICATIONS

Roeland Gerard Krooshof, U.S. Appl. No. 29/560,173, Low Fat Fryer Multicooker, filed Apr. 4, 2016.

* cited by examiner

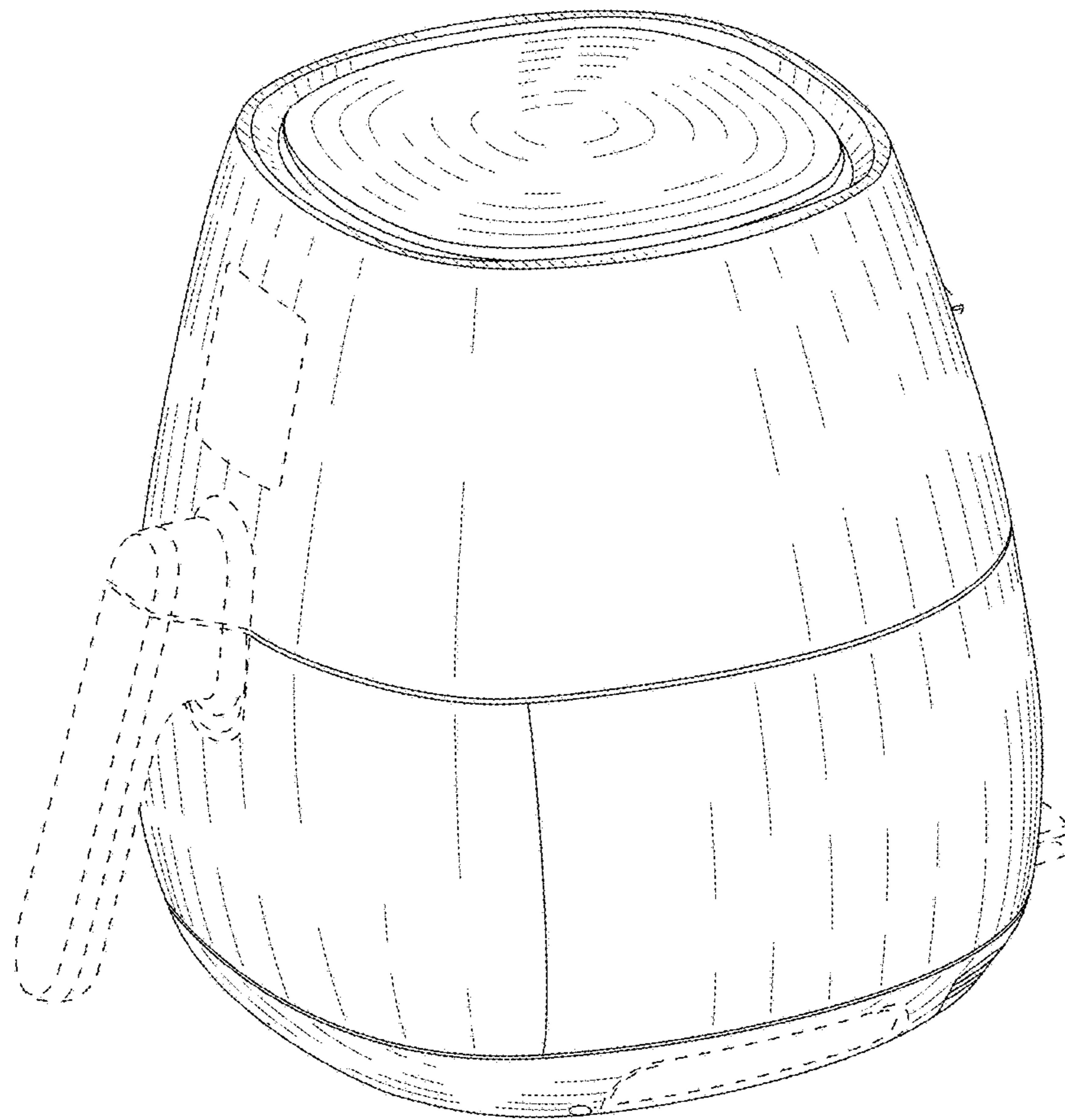


FIG. 1

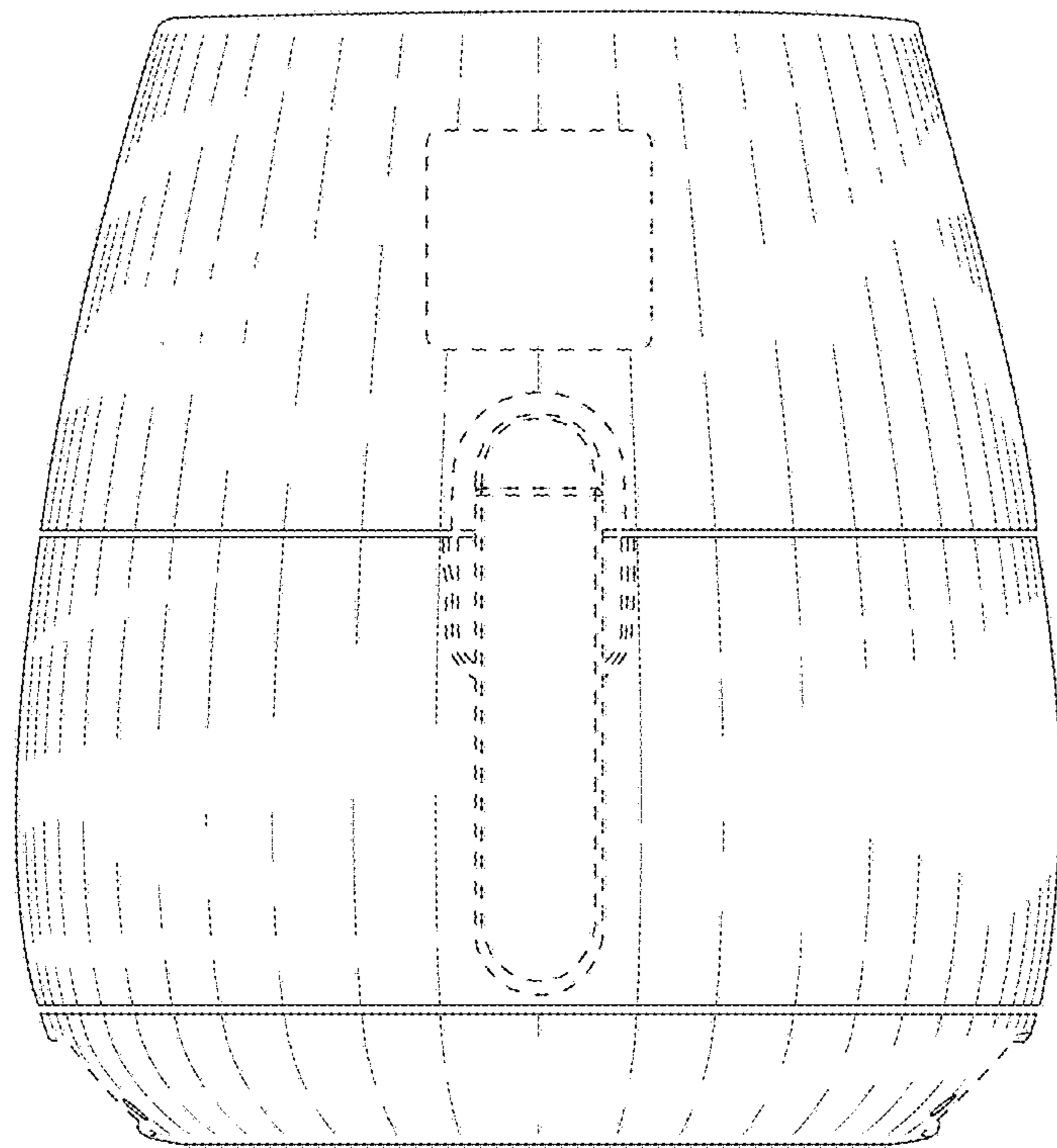


FIG. 2

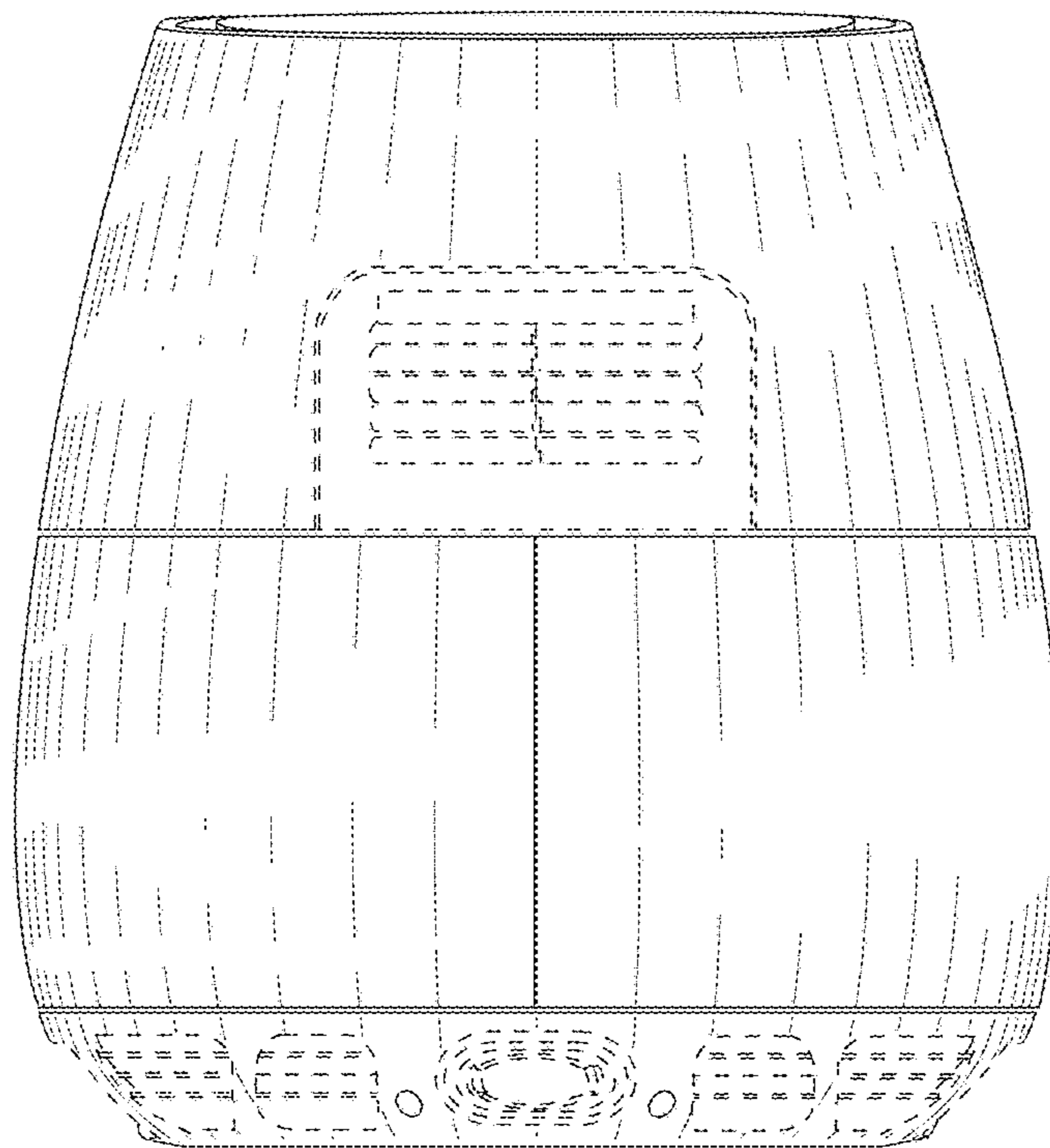


FIG. 3

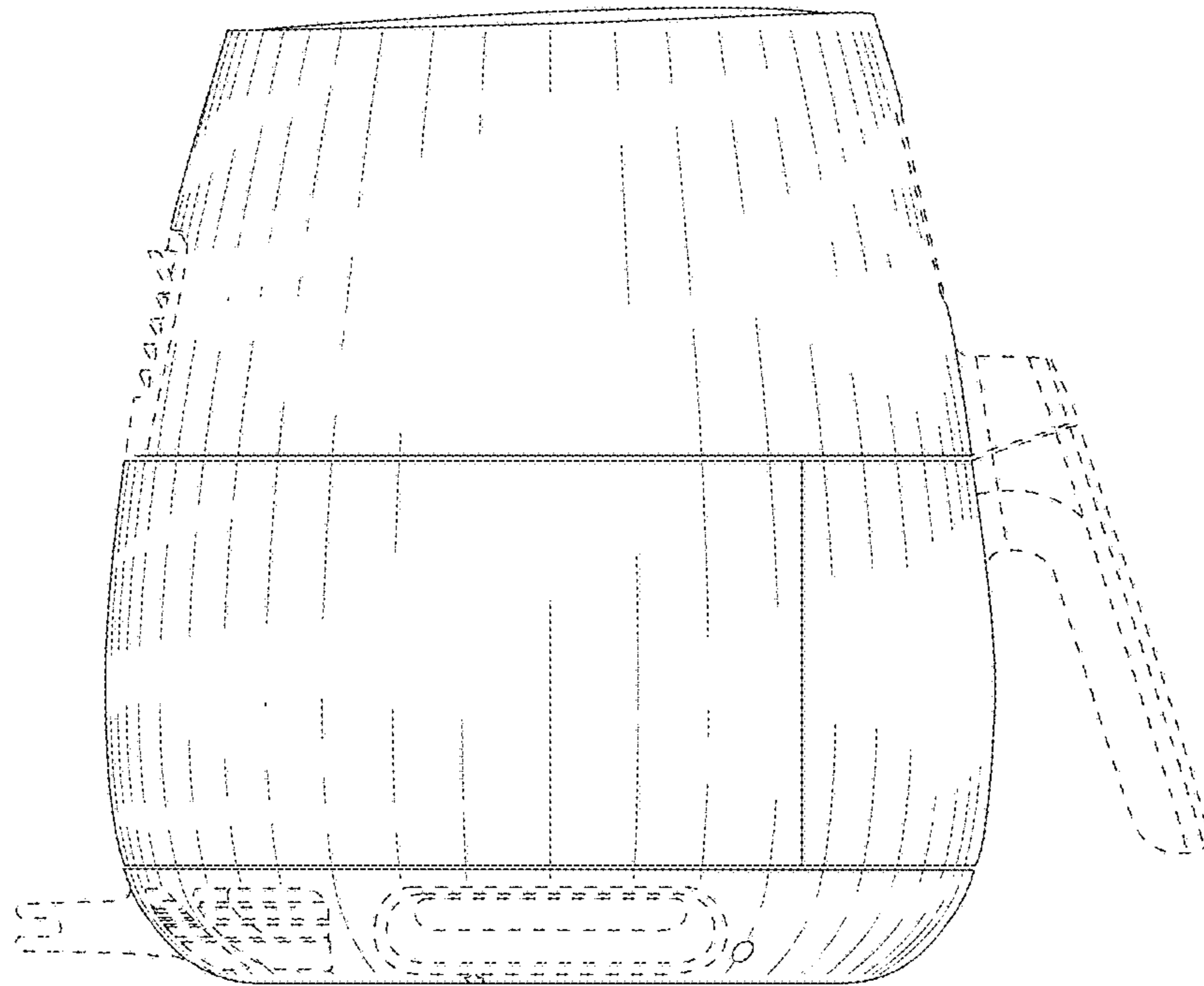


FIG. 4

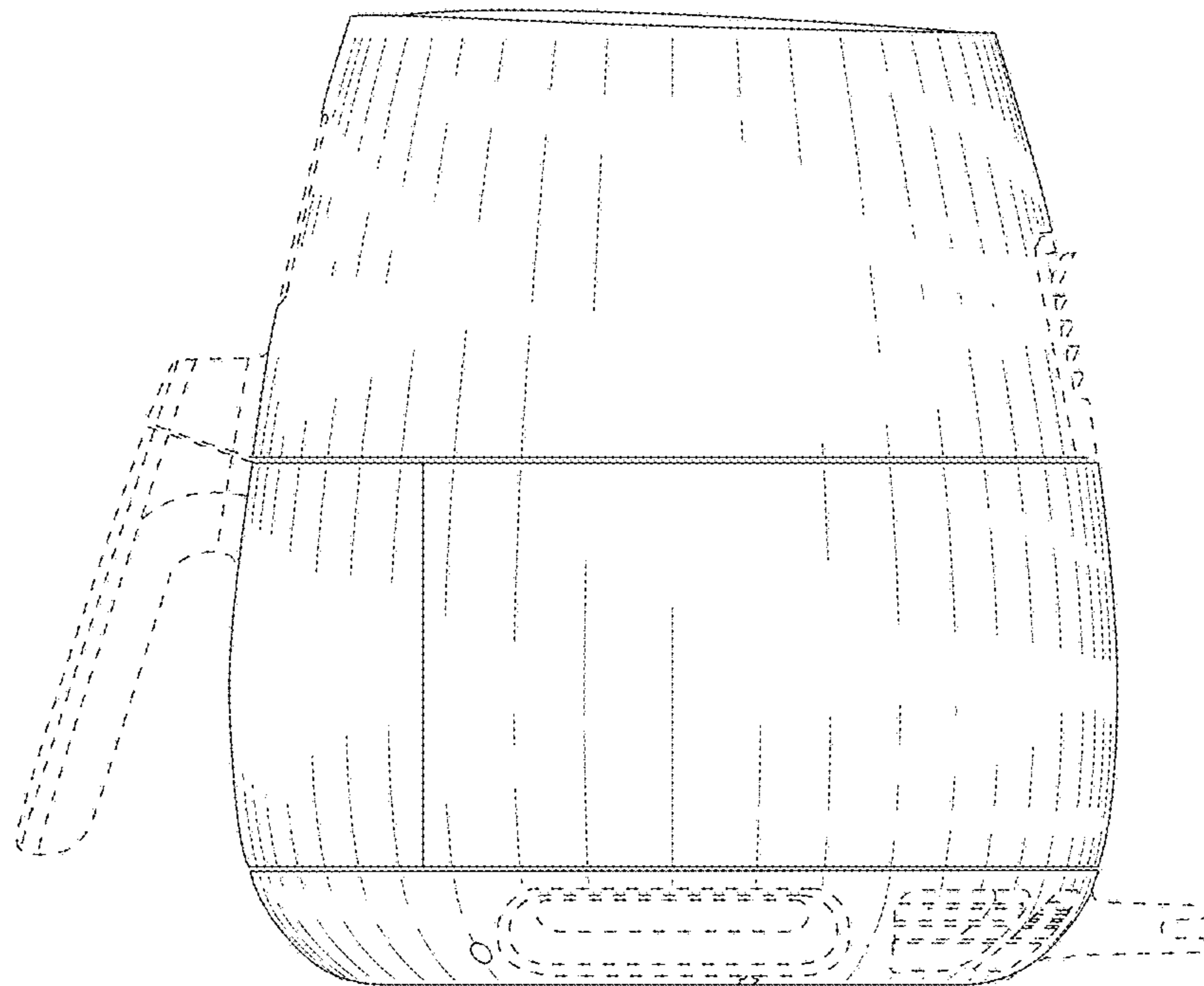


FIG. 5

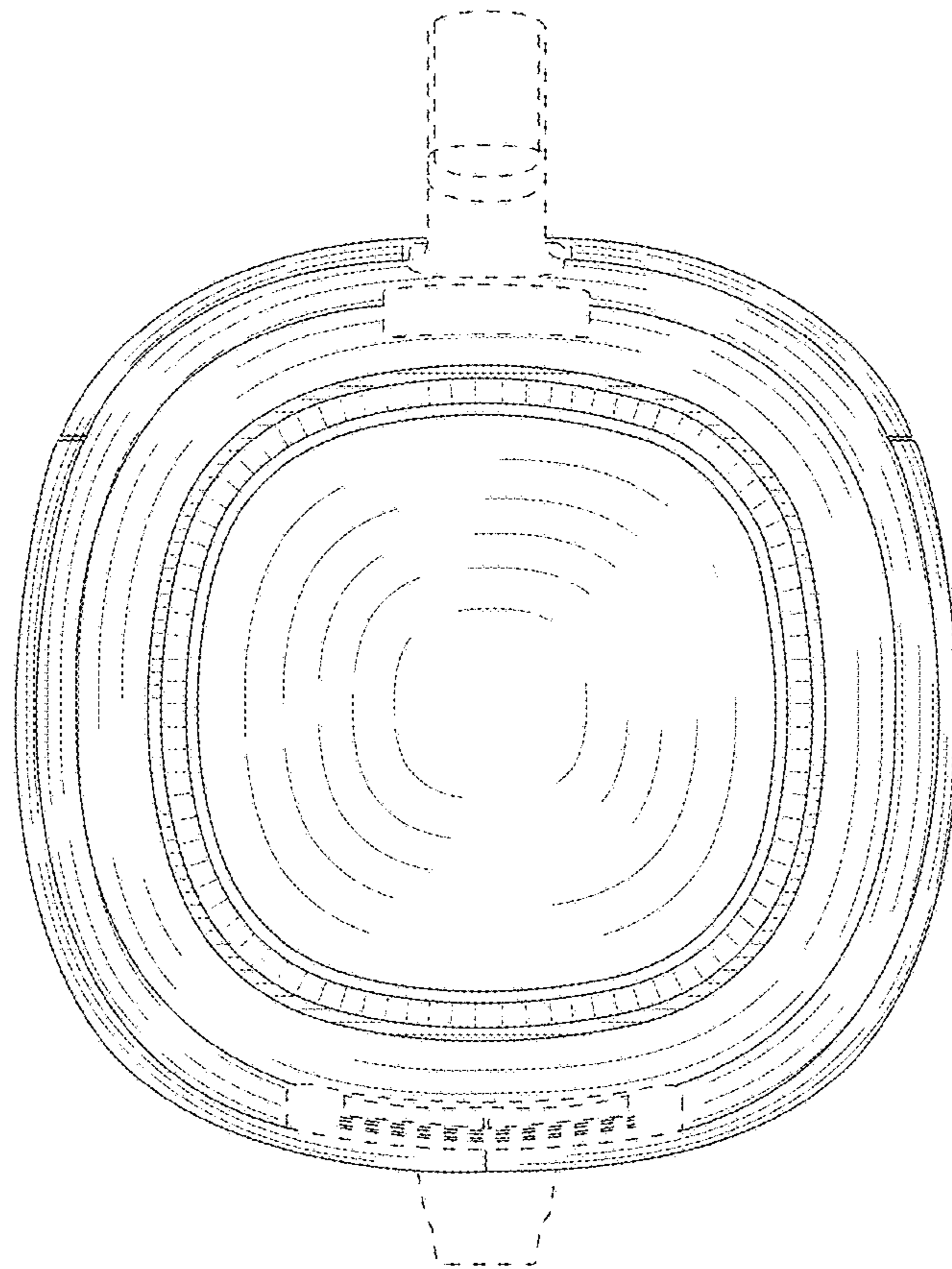


FIG. 6

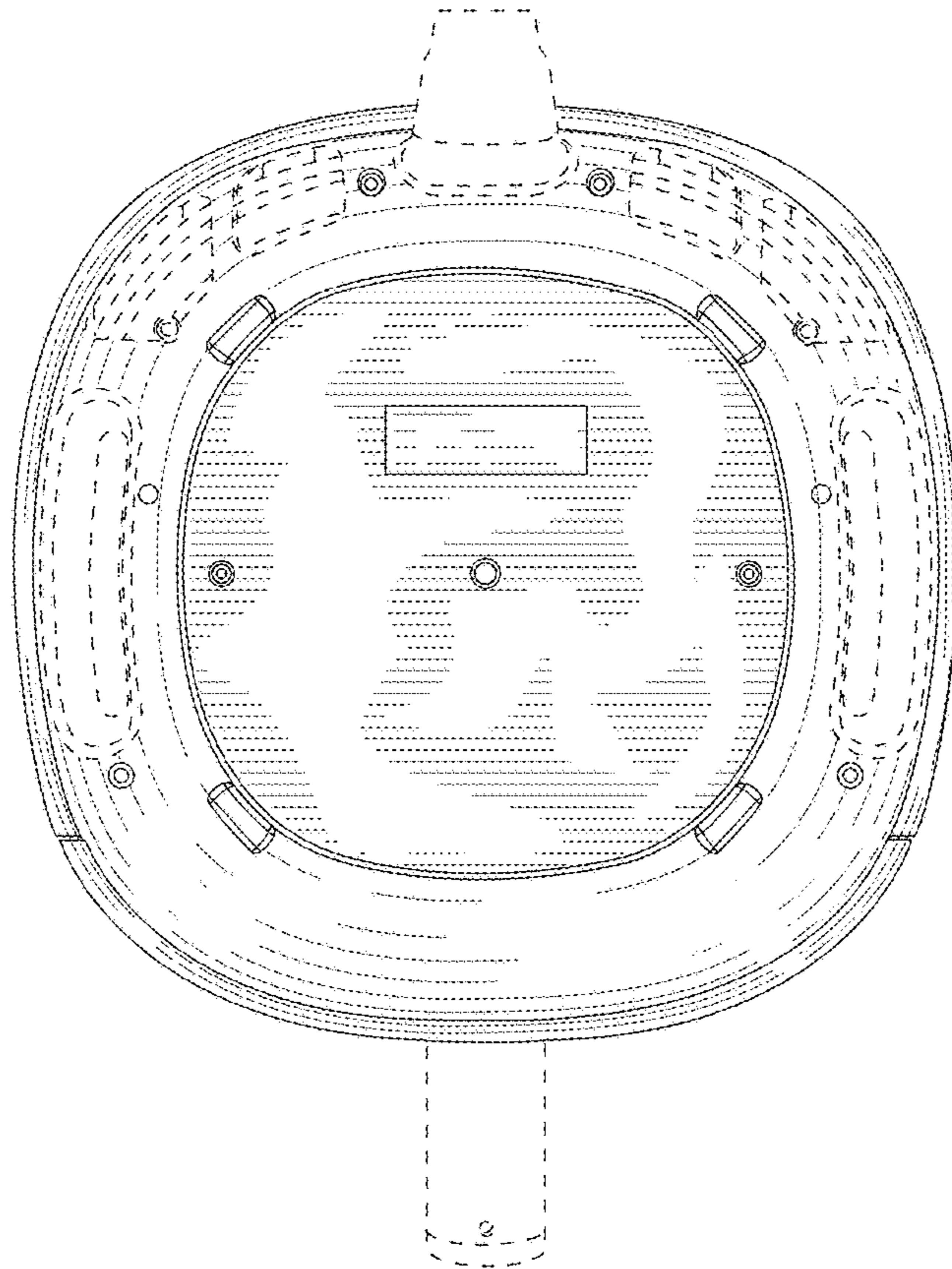


FIG. 7