



US00D801102S

(12) **United States Design Patent** (10) **Patent No.:** **US D801,102 S**  
**Koszylko** (45) **Date of Patent:** **\*\* Oct. 31, 2017**

- (54) **GRILL CONTROL KNOB WITH RED AND GREEN REGIONS**
- (71) Applicant: **Spectrum Brands, Inc.**, Middleton, WI (US)
- (72) Inventor: **Darek J. Koszylko**, Dane, WI (US)
- (73) Assignee: **Spectrum Brands, Inc.**, Middleton, WI (US)

- (\*\*) Term: **15 Years**
- (21) Appl. No.: **29/549,762**
- (22) Filed: **Dec. 28, 2015**

**Related U.S. Application Data**

- (63) Continuation-in-part of application No. 29/515,682, filed on Jan. 26, 2015, now Pat. No. Des. 766,645.
- (51) **LOC (10) Cl.** ..... **07-02**
- (52) **U.S. Cl.**  
USPC ..... **D7/352**; D7/362
- (58) **Field of Classification Search**  
USPC ..... D7/323, 328-330, 337, 347, 352-364, D7/367, 402, 409-411  
CPC . A21B 5/023; A47J 27/60; A47J 27/62; A47J 37/04; A47J 37/06; A47J 37/015; A47J 37/067; A47J 37/0605; A47J 37/0611; A47J 37/0623; A47J 37/0629; A47J 37/0676; A47J 2037/06; A47J 2037/0611; F24C 15/10; F24C 15/102; H05B 6/02; H05B 6/062  
See application file for complete search history.

(56) **References Cited**

**U.S. PATENT DOCUMENTS**

- D301,671 S \* 6/1989 Van Asten ..... D7/352
- D532,646 S \* 11/2006 Moore ..... D7/352

- D546,619 S \* 7/2007 McHutchison ..... D7/352
- D588,858 S \* 3/2009 Tetreault ..... D7/352
- D622,538 S \* 8/2010 Hoare ..... D7/352
- D632,126 S \* 2/2011 Tetreault ..... D7/352
- D644,477 S \* 9/2011 Burton ..... D7/352
- D714,092 S \* 9/2014 Verbrugge ..... D7/352
- D715,086 S \* 10/2014 Piret ..... D7/352
- D731,227 S \* 6/2015 Marsh-Croft ..... D7/352
- D741,651 S \* 10/2015 Marsh-Croft ..... D7/352
- D766,645 S \* 9/2016 Koszylko ..... D7/352
- 2015/0230659 A1 \* 8/2015 Hoare ..... A47J 37/0611 99/375

\* cited by examiner

*Primary Examiner* — Ricky Pham

(74) *Attorney, Agent, or Firm* — Banner & Witcoff, Ltd.

(57) **CLAIM**

The ornamental design for a grill control knob with red and green regions, as shown and described.

**DESCRIPTION**

The patent or application file contains at least one drawing executed in color. Copies of this patent or patent application with color drawing(s) will be provided by the Office upon request and payment of the necessary fee.

FIG. 1 is a front perspective view of a grill control knob with red and green regions showing my new design;

FIG. 2 is a front view thereof;

FIG. 3 is a right side view thereof;

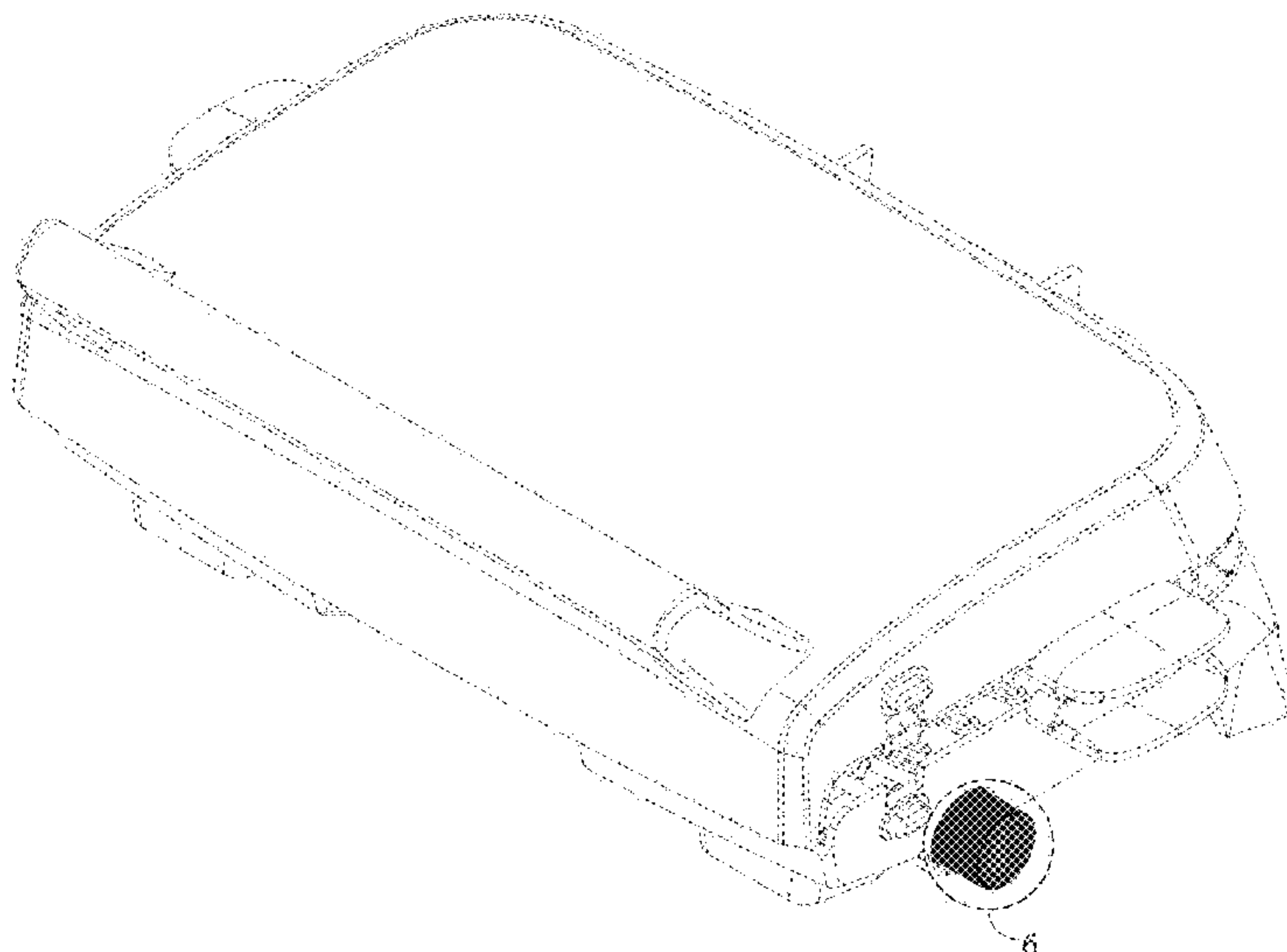
FIG. 4 is a top side view thereof;

FIG. 5 is a bottom view thereof; and,

FIG. 6 is an enlarged view of the region indicated by numeral "6" of FIG. 1.

The broken line showing of the remainder of the grill is for environmental purposes only and forms no part of the claimed design.

**1 Claim, 6 Drawing Sheets**  
**(3 of 6 Drawing Sheet(s) Filed in Color)**



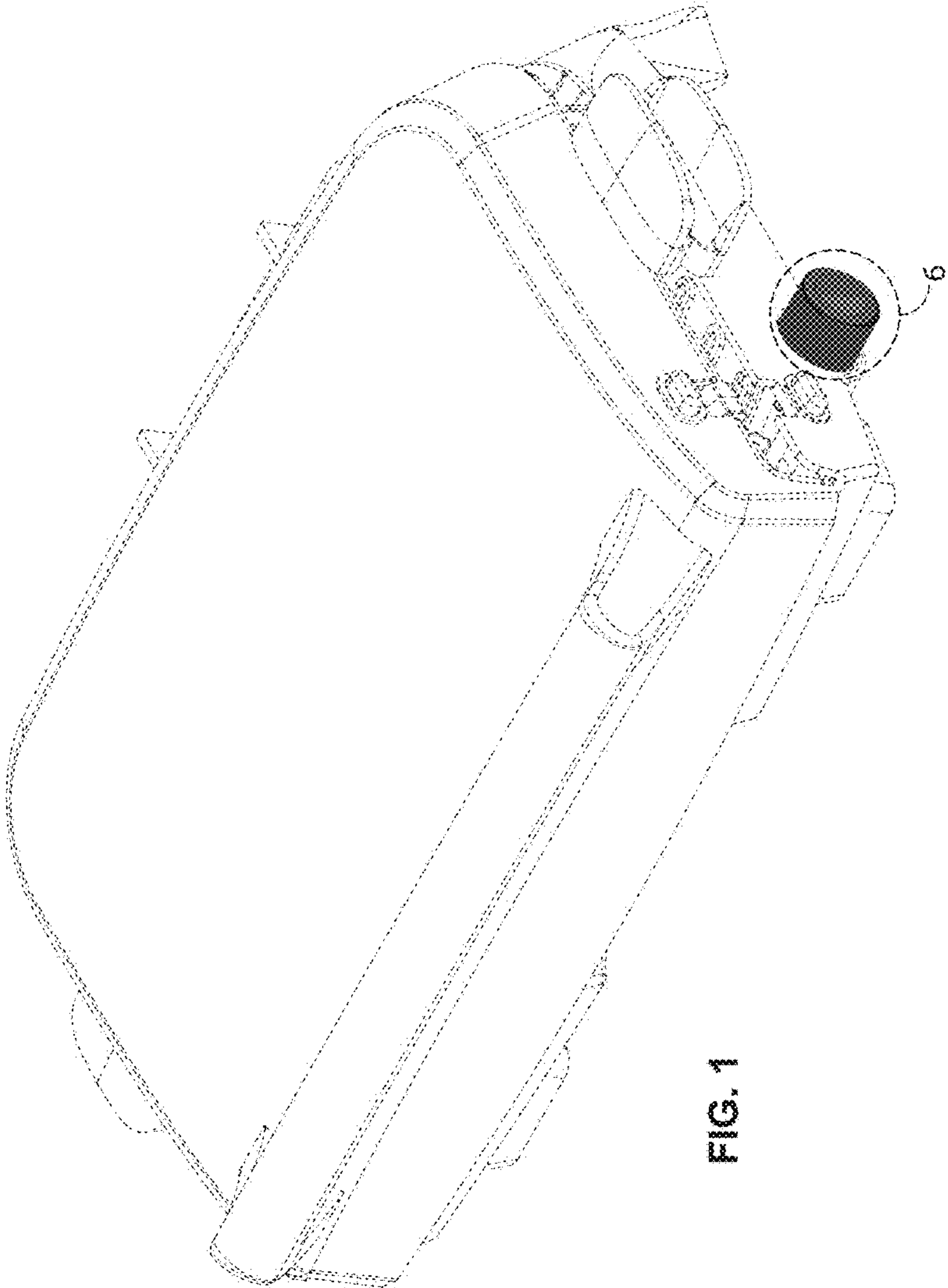


FIG. 1

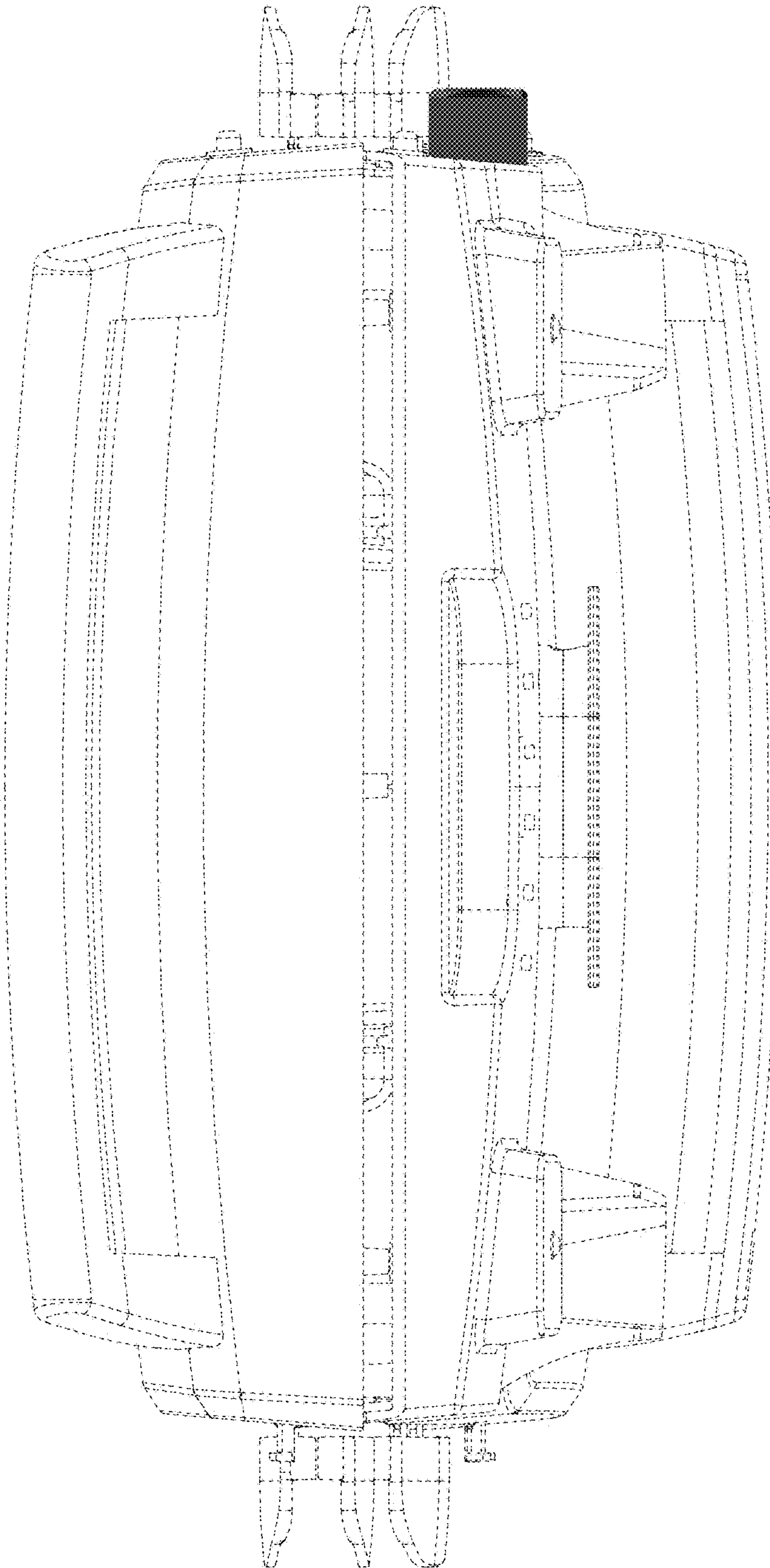


FIG. 2

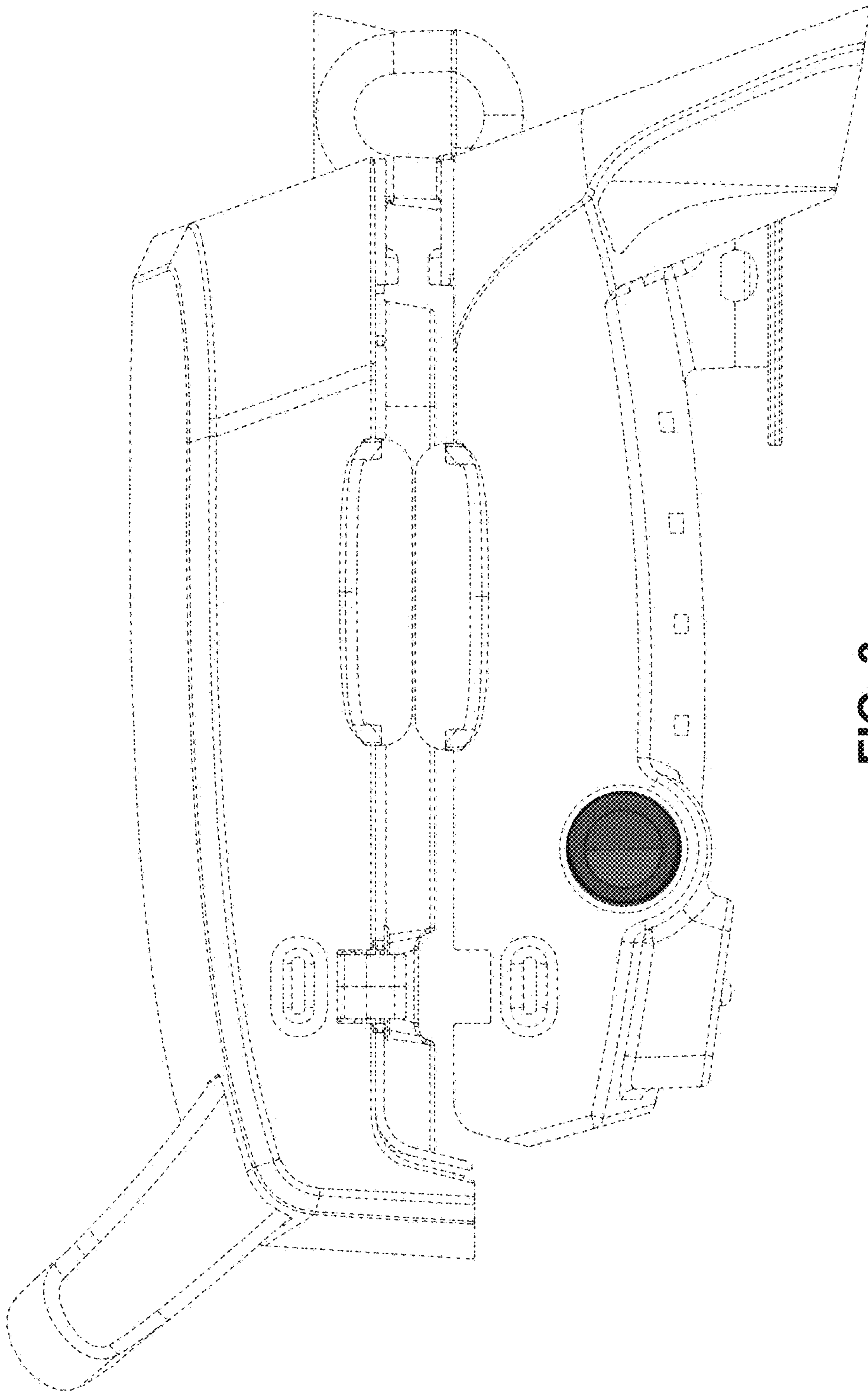


FIG. 3



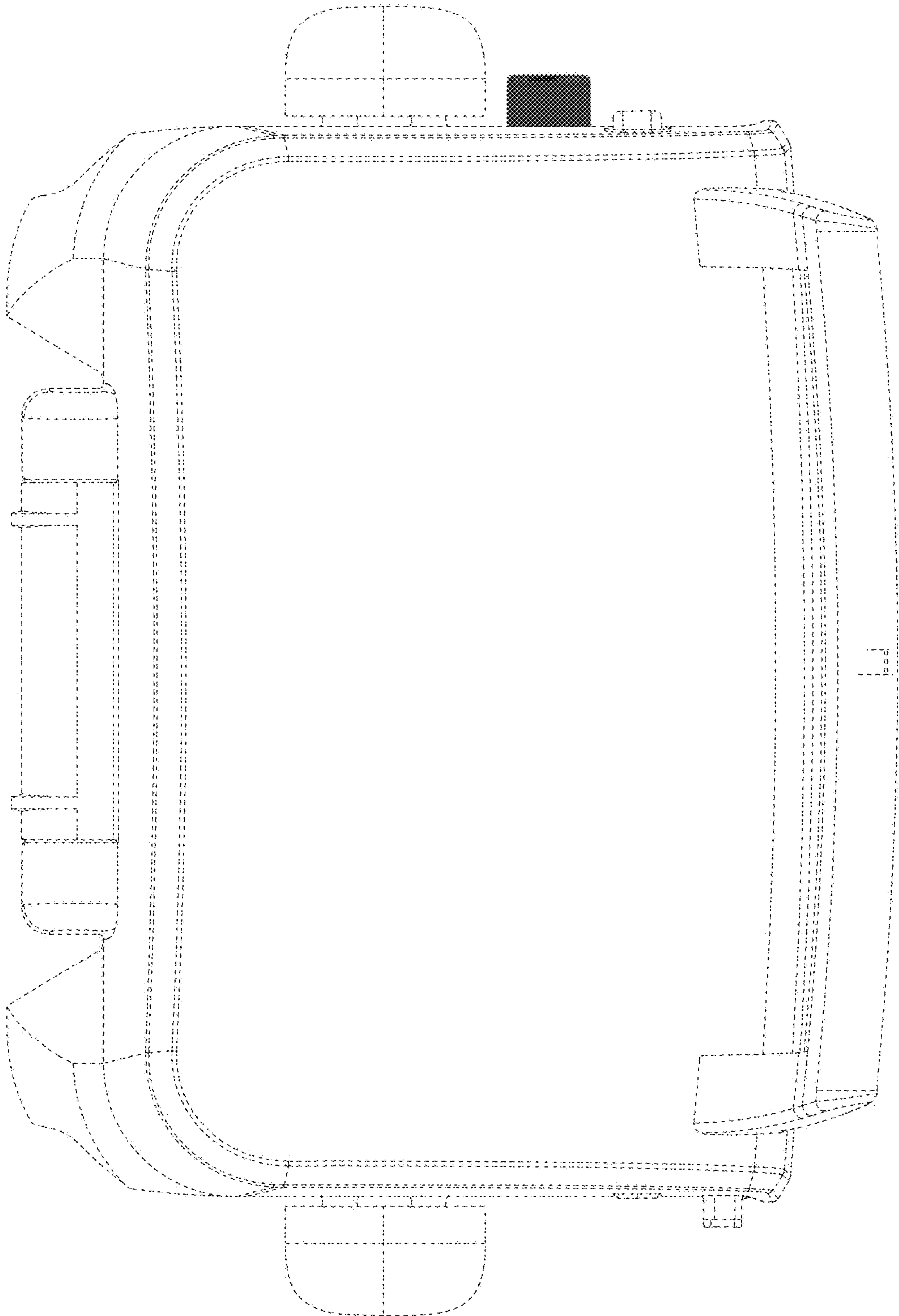


FIG. 4

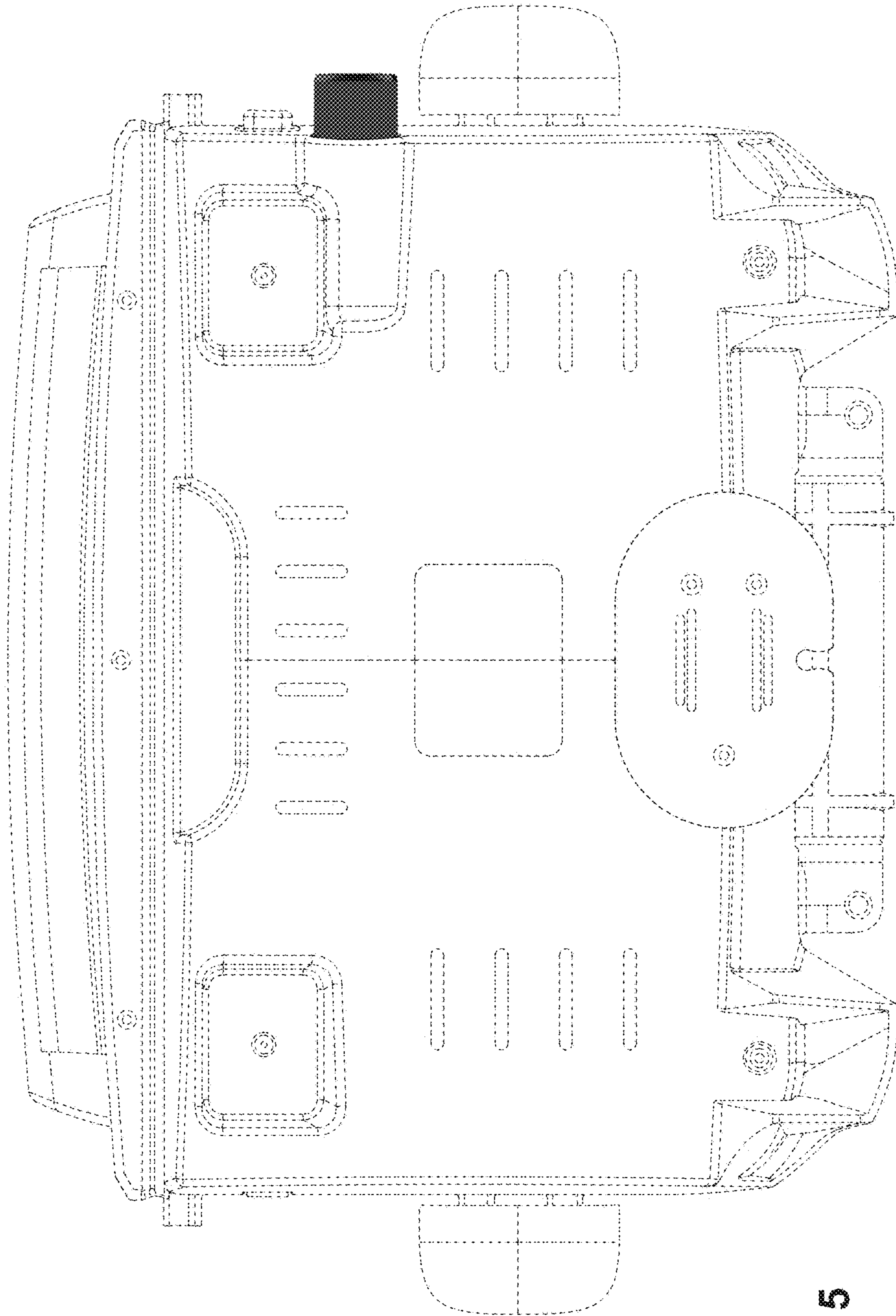


FIG. 5



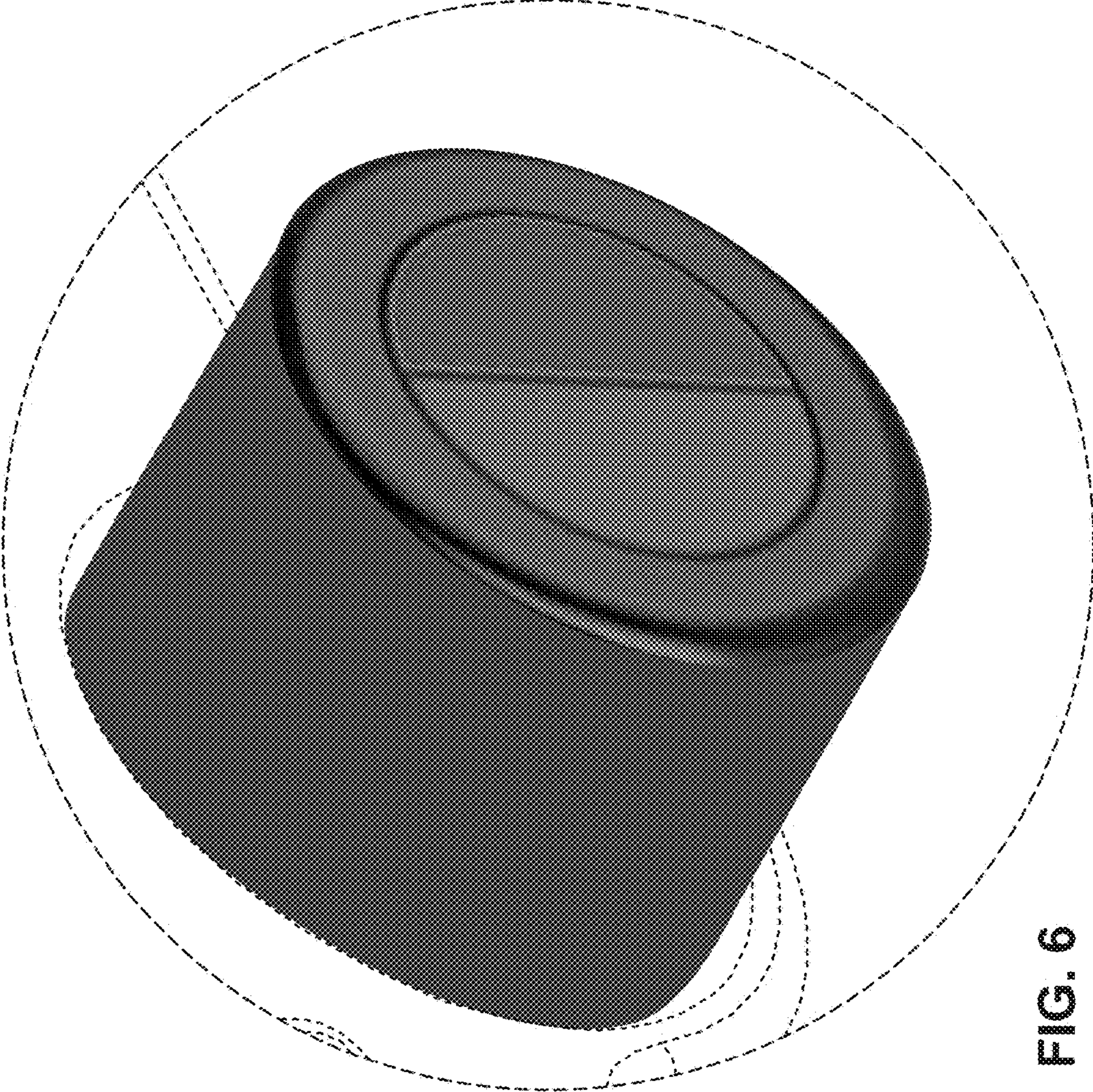


FIG. 6