



US00D801099S

(12) **United States Design Patent**  
**Farber**

(10) **Patent No.:** **US D801,099 S**  
(45) **Date of Patent:** **\*\* Oct. 31, 2017**

- (54) **CHAIR**
- (71) Applicant: **GSC Technologies Corp., Quebec (CA)**
- (72) Inventor: **Jason Farber, Quebec (CA)**
- (73) Assignee: **GSC Technologies Inc.,  
Saint-Jean-sur-Richelieu (CA)**
- (\*\*) Term: **15 Years**
- (21) Appl. No.: **29/587,450**
- (22) Filed: **Dec. 13, 2016**
- (51) **LOC (10) Cl.** ..... **06-01**
- (52) **U.S. Cl.**  
USPC ..... **D6/716; D6/368**
- (58) **Field of Classification Search**  
USPC ..... D6/334-336, 368, 374, 376, 380, 716,  
D6/716.1, 716.2, 716.3, 716.4  
CPC .. A47C 3/045; A47C 4/02; A47C 4/03; A47C  
4/04; A47C 4/06; A47C 4/18; A47C 4/20;  
A47C 4/24; A47C 5/04  
See application file for complete search history.

(56) **References Cited**

**U.S. PATENT DOCUMENTS**

- 1,873,768 A \* 8/1932 Kux ..... A47C 4/06  
297/56
- 2,753,922 A \* 7/1956 Grimland ..... A47C 4/24  
297/58
- D465,665 S \* 11/2002 Ritchie ..... D6/368
- D465,940 S \* 11/2002 Nien ..... D6/368
- 6,543,842 B2 \* 4/2003 Haney ..... A47C 4/20  
297/440.19
- D506,325 S \* 6/2005 Farber ..... D6/368

- D507,425 S \* 7/2005 Ashby ..... D6/368
- D519,292 S \* 4/2006 Ashby ..... D6/368
- D523,254 S \* 6/2006 Nye ..... D6/368
- 7,717,511 B2 \* 5/2010 Huang ..... A47C 3/045  
297/239
- D655,932 S \* 3/2012 Ashby ..... D6/368
- D686,007 S \* 7/2013 Johnson ..... D6/368
- 8,678,700 B2 \* 3/2014 Tsai ..... A47C 4/24  
297/16.1
- D751,329 S \* 3/2016 Johnson ..... D6/716
- D793,139 S \* 8/2017 Lin ..... D6/716

\* cited by examiner

*Primary Examiner* — Mimosa De  
(74) *Attorney, Agent, or Firm* — IP Attorneys Group,  
LLC

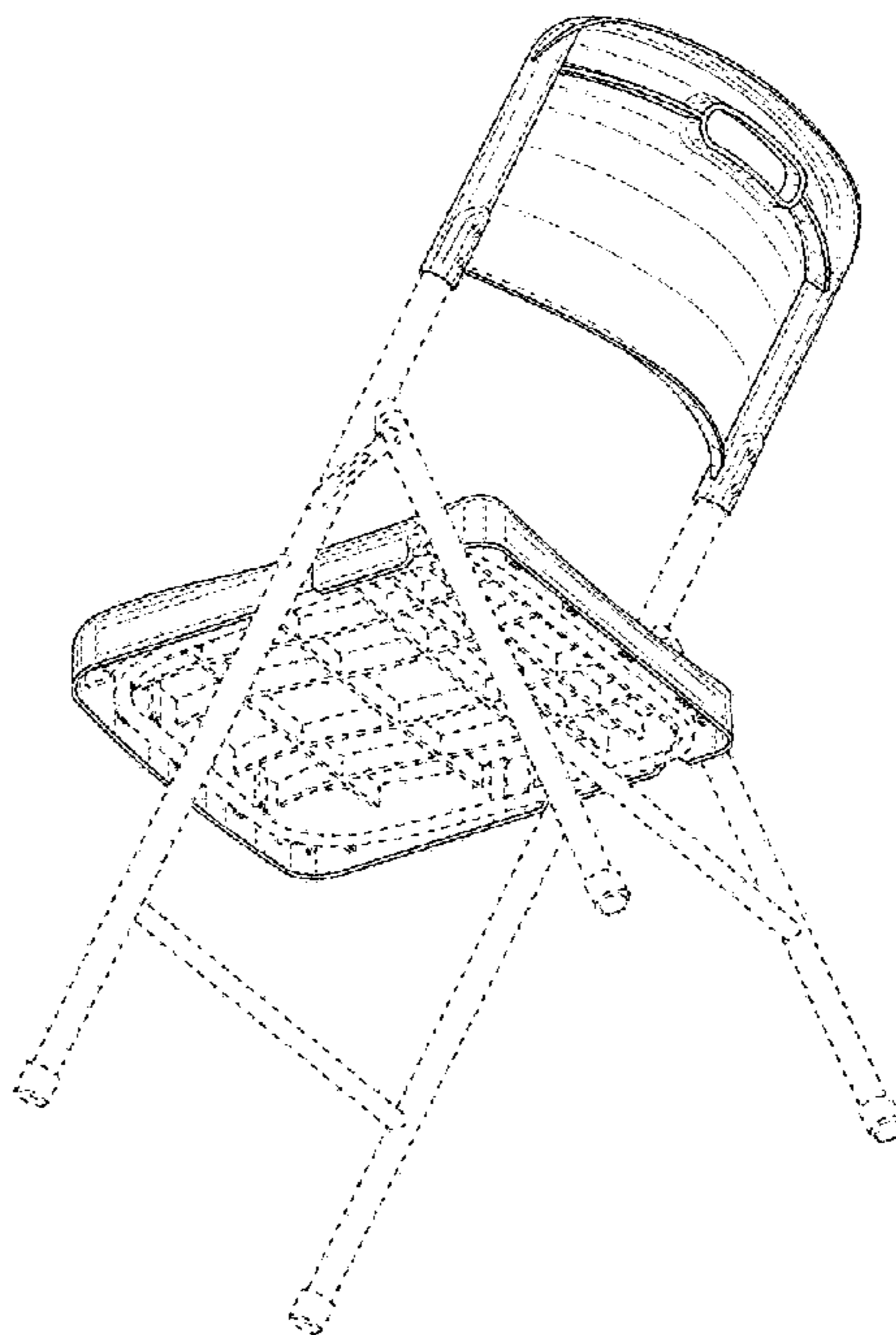
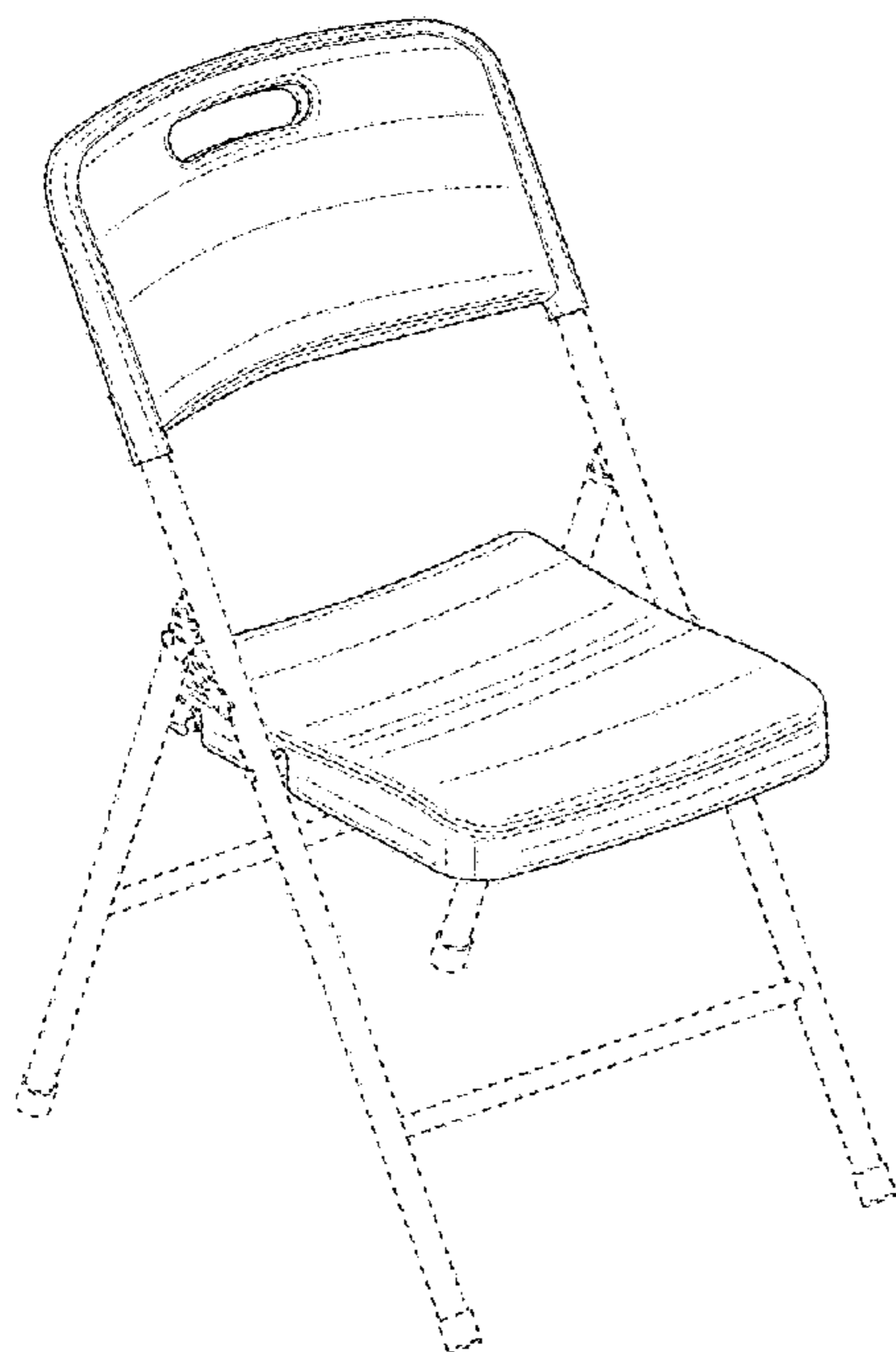
(57) **CLAIM**

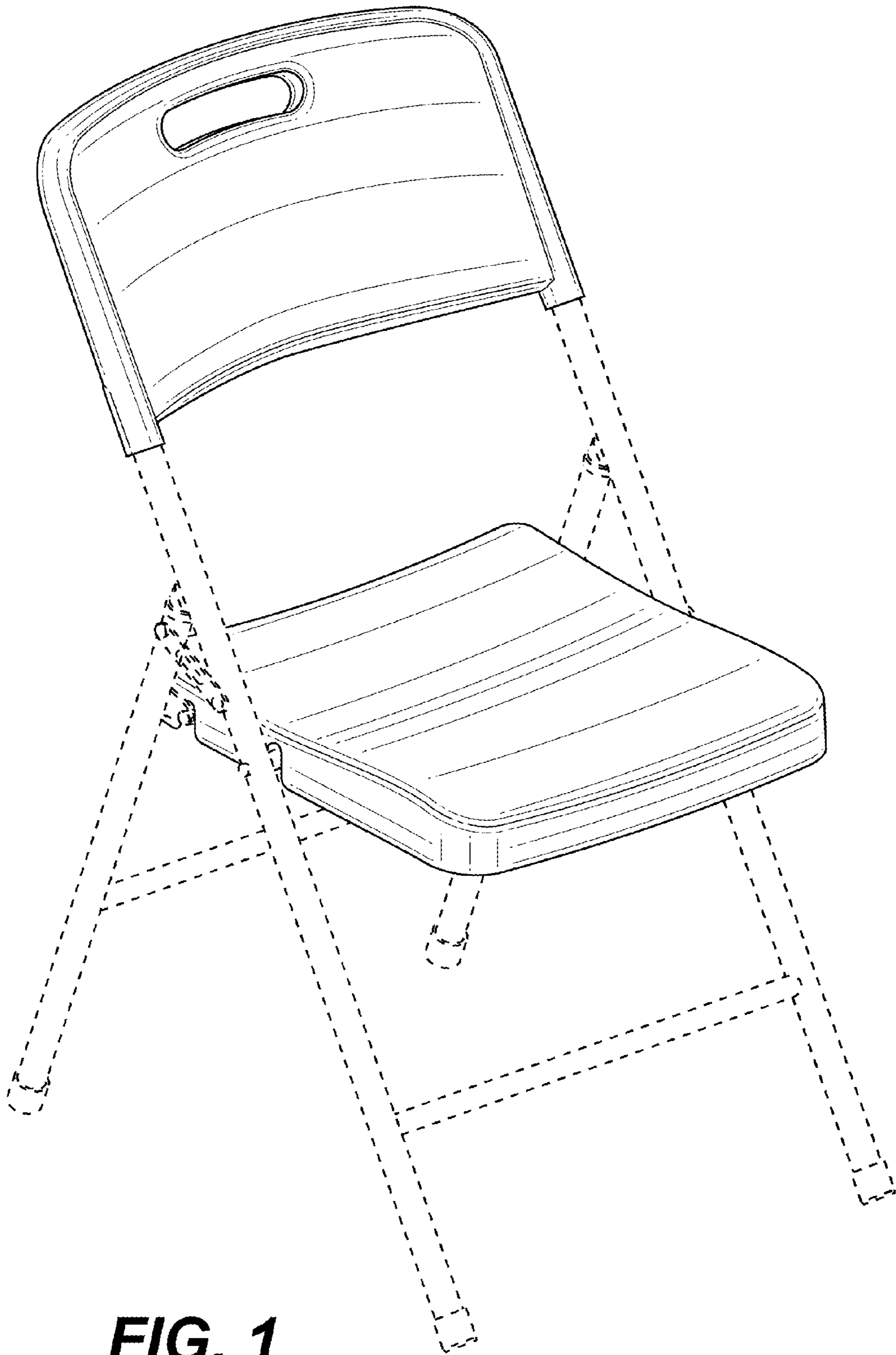
The ornamental design for a chair, as shown and described.

**DESCRIPTION**

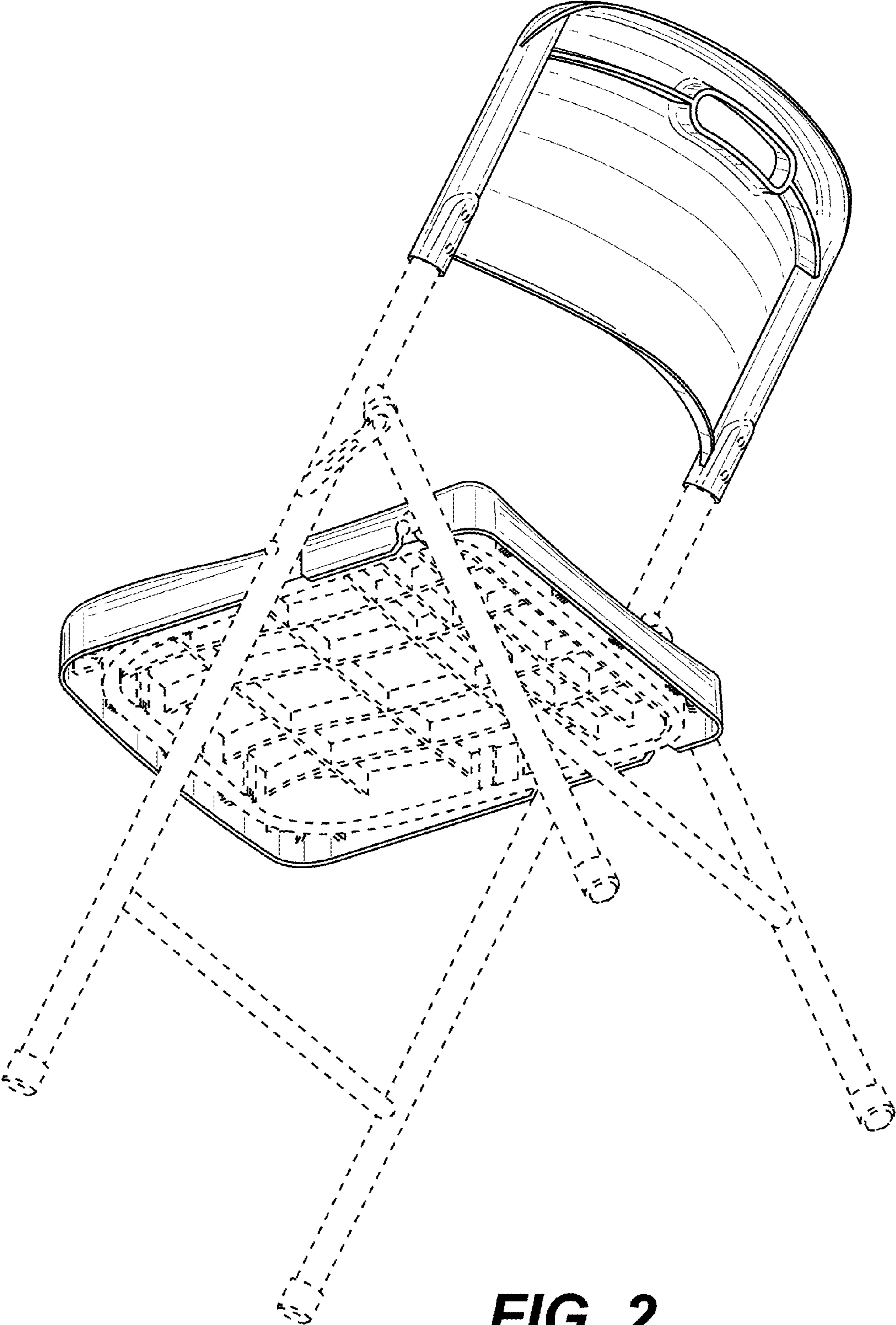
FIG. 1 is a front upper perspective view of a chair in accordance with Applicant's new design; FIG. 2 is a rear lower perspective view thereof; FIG. 3 is a front view thereof; FIG. 4 is a rear view thereof; FIG. 5 is a left side view thereof; FIG. 6 is a right side view thereof; FIG. 7 is a top view thereof; and, FIG. 8 is a bottom view thereof. The broken lines shown in the figures are for illustrative purposes only and form no part of the claimed design.

**1 Claim, 8 Drawing Sheets**

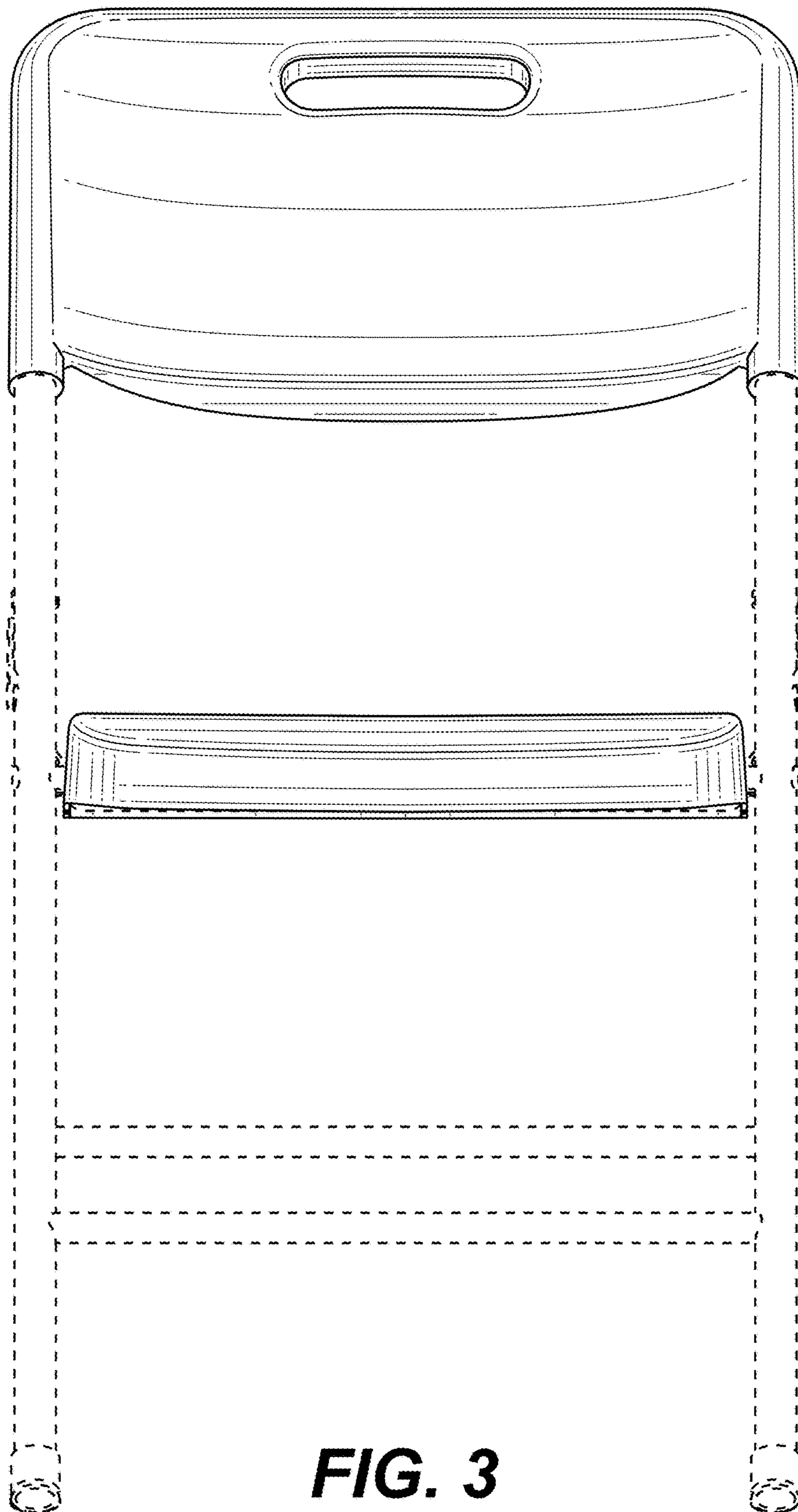




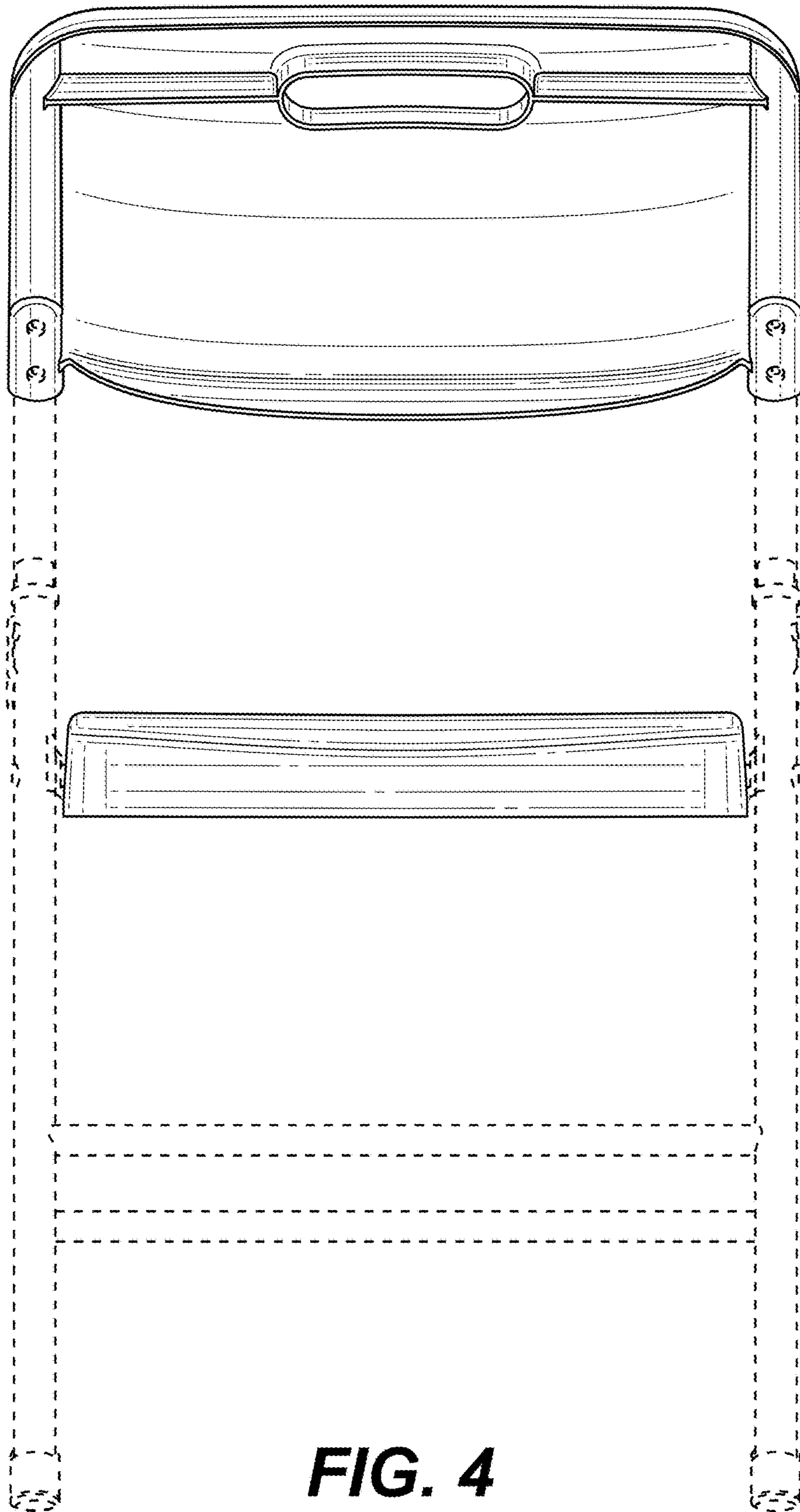
**FIG. 1**



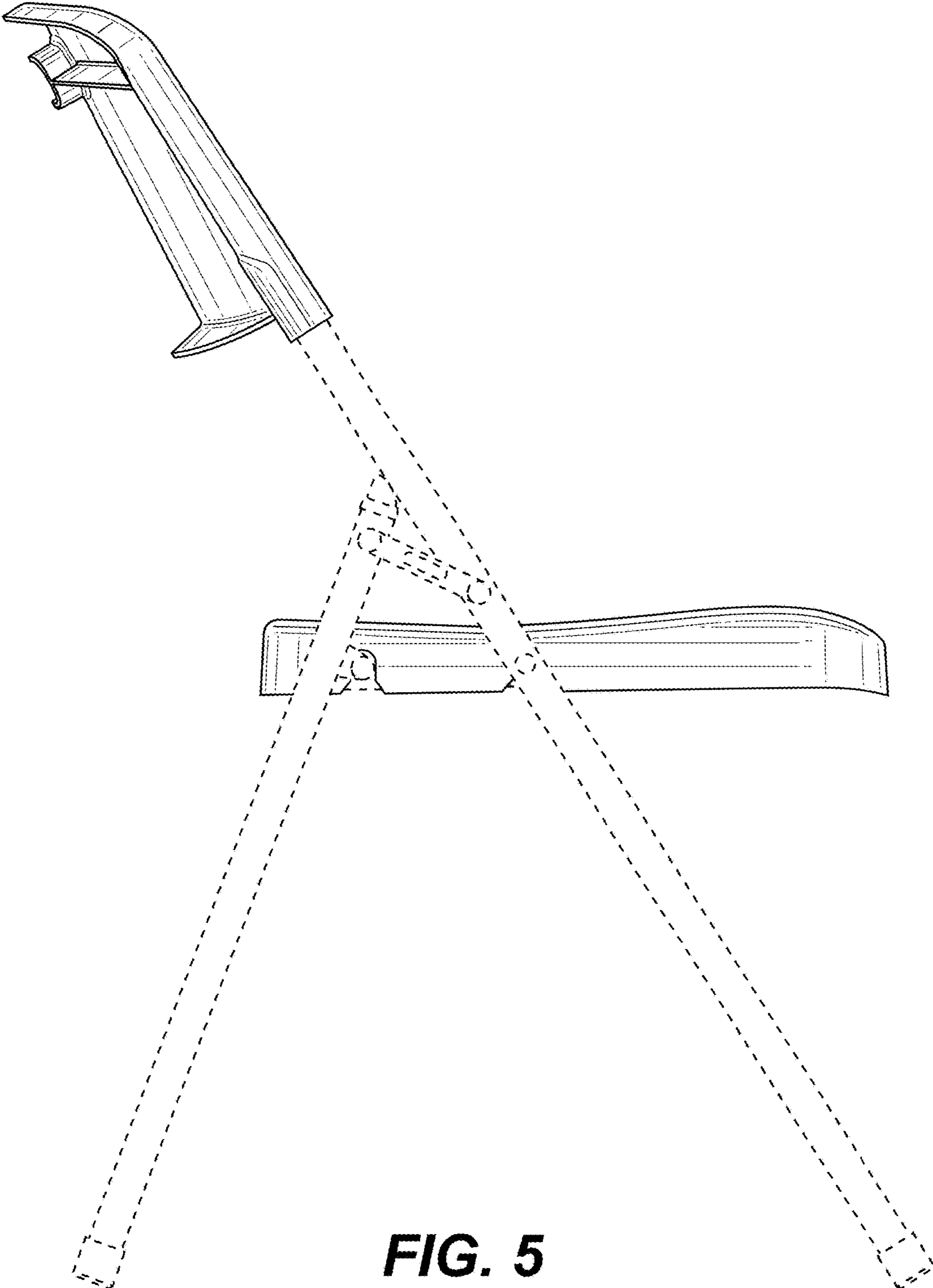
**FIG. 2**



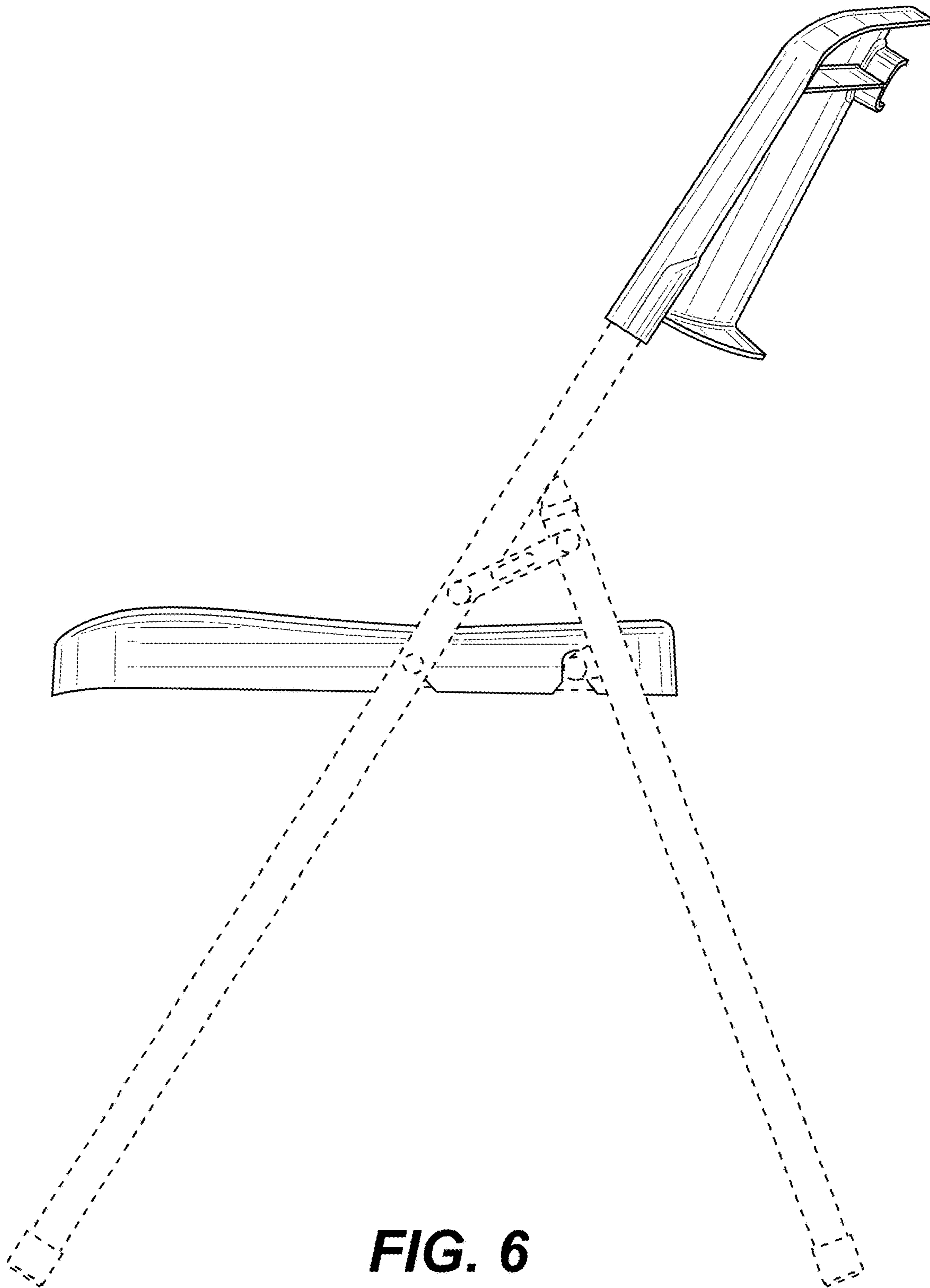
**FIG. 3**



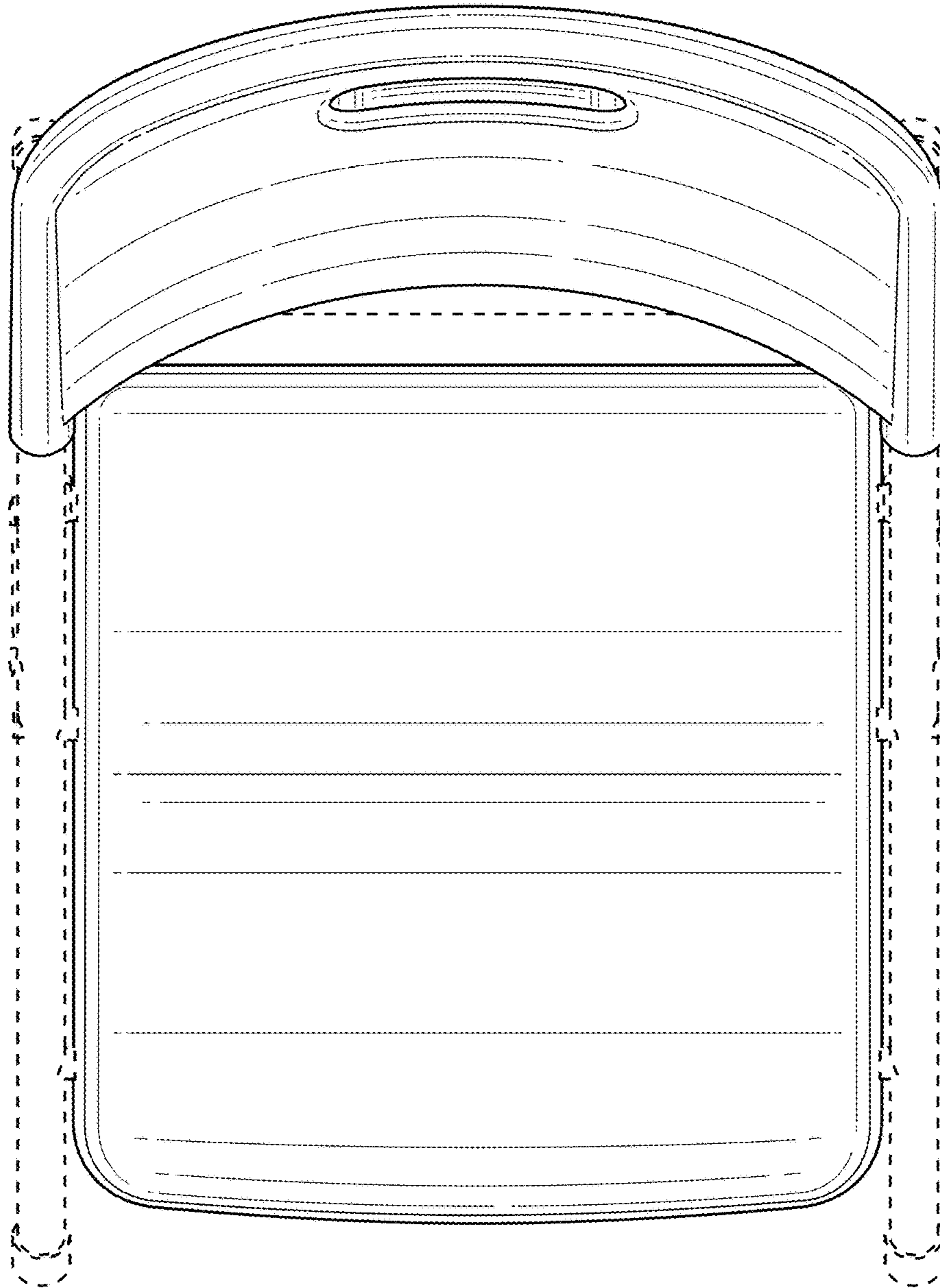
**FIG. 4**



**FIG. 5**

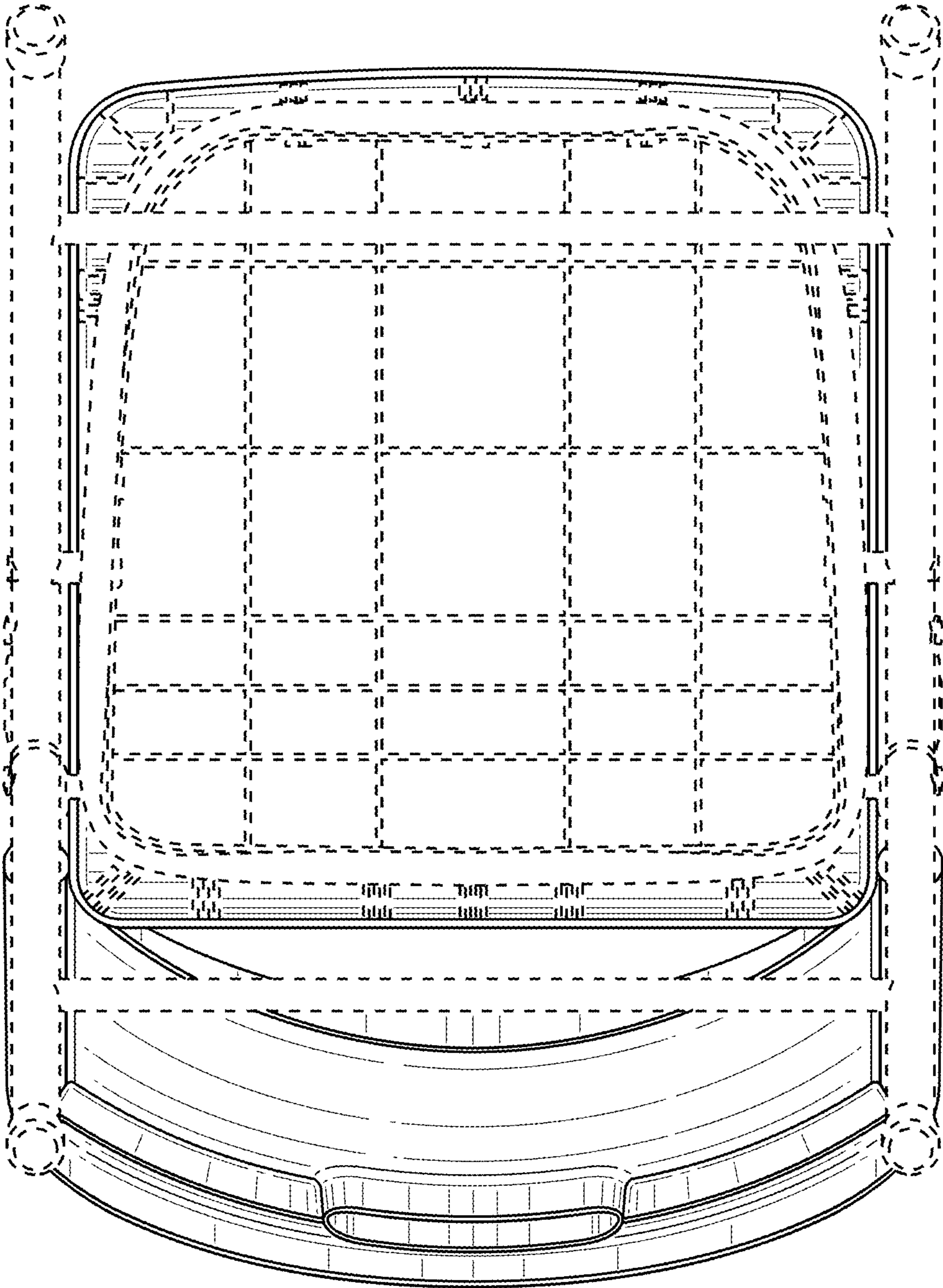


**FIG. 6**



**FIG. 7**





**FIG. 8**