



US00D801098S

(12) **United States Design Patent** (10) **Patent No.:** **US D801,098 S**
Farber (45) **Date of Patent:** **** Oct. 31, 2017**

(54) **CHAIR**
(71) Applicant: **GSC Technologies Corp.**, Quebec (CA)
(72) Inventor: **Jason Farber**, Quebec (CA)
(73) Assignee: **GSC Technologies Inc.**,
Saint-Jean-sur-Richelieu (CA)
(**) Term: **15 Years**
(21) Appl. No.: **29/587,276**
(22) Filed: **Dec. 12, 2016**
(51) **LOC (10) Cl.** **06-01**
(52) **U.S. Cl.**
USPC **D6/716; D6/375**
(58) **Field of Classification Search**
USPC D6/716, 334-336, 371, 372, 373, 374,
D6/375, 376, 716.1, 716.2, 716.4
See application file for complete search history.

D522,265 S * 6/2006 Glass D6/375
D526,134 S * 8/2006 Glass D6/348
D544,230 S * 6/2007 Glass D6/375
D549,018 S * 8/2007 Glass D6/375
D566,979 S * 4/2008 Cox D6/375
D572,928 S * 7/2008 Rittfeldt D6/375
D580,674 S * 11/2008 Naranjo Cardona D6/375
D597,758 S * 8/2009 Barrett D6/375
D648,561 S * 11/2011 Johansson D6/375
D669,279 S * 10/2012 Eldoy D6/375
D683,558 S * 6/2013 Rada D6/716
D686,857 S * 7/2013 Fletcher D6/716
D686,859 S * 7/2013 Fletcher D6/716
D707,461 S * 6/2014 Rada D6/375
D743,180 S * 11/2015 Mehaffey D6/375

(Continued)

Primary Examiner — David G Muller
Assistant Examiner — Nathan M Johnston
(74) *Attorney, Agent, or Firm* — IP Attorneys Group,
LLC

(57) **CLAIM**
The ornamental design for a chair, as shown and described.

(56) **References Cited**

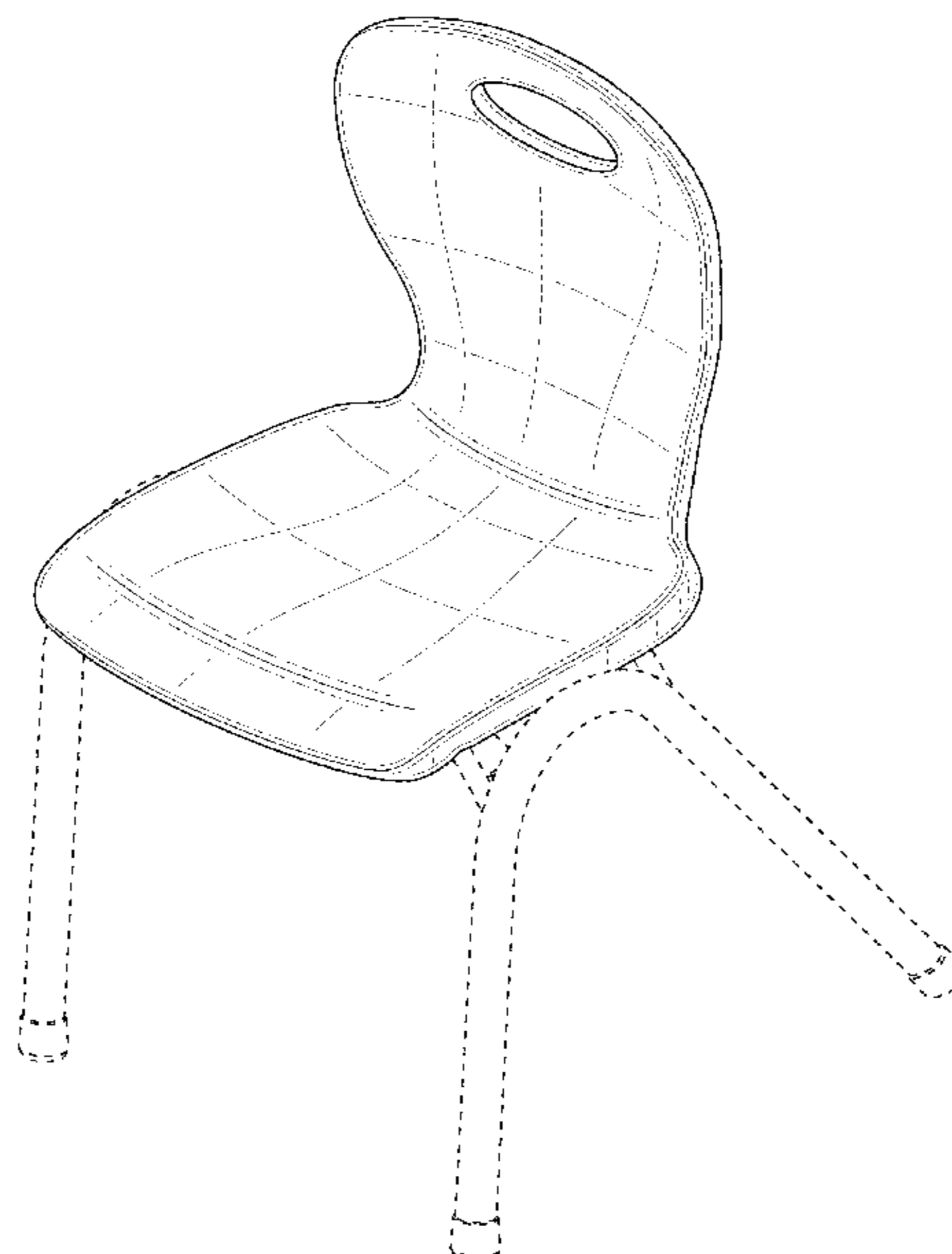
U.S. PATENT DOCUMENTS

D174,927 S * 6/1955 Shannon D6/375
2,745,468 A * 5/1956 Kramer A47C 3/021
297/285
D202,549 S * 10/1965 Kramer 297/452.12
D255,183 S * 6/1980 Locher D6/366
D255,184 S * 6/1980 Locher D6/375
D342,404 S * 12/1993 Homann D6/716
D355,090 S * 2/1995 Ivicovic D6/716
D470,320 S * 2/2003 Schloss D6/375
D471,729 S * 3/2003 Glass D6/375
D499,260 S * 12/2004 Glass D6/375
D503,559 S * 4/2005 Glass D6/372
D504,026 S * 4/2005 Glass D6/366
D507,893 S * 8/2005 Glass D6/360
D513,911 S * 1/2006 Glass D6/375
D514,339 S * 2/2006 Glass D6/366

DESCRIPTION

FIG. 1 is a front upper perspective view of a chair showing my new design;
FIG. 2 is a front elevation view thereof;
FIG. 3 is a rear elevation view thereof;
FIG. 4 is a left side elevation view thereof;
FIG. 5 is a right side elevation view thereof;
FIG. 6 is a top plan view thereof; and,
FIG. 7 is a bottom plan view thereof.
The broken lines shown in the figures that are immediately adjacent to the shaded areas and define unshaded regions represent the bounds of the claim, while all other broken lines show environmental subject matter; the broken lines form no part of the claimed design.

1 Claim, 7 Drawing Sheets



(56)

References Cited

U.S. PATENT DOCUMENTS

D764,850	S *	8/2016	Davidson	D6/375
D767,296	S *	9/2016	Chen	D6/375
2005/0275262	A1 *	12/2005	Mills	A47C 3/029 297/271.5
2008/0100120	A1 *	5/2008	Fletcher	A47C 3/12 297/448.2
2009/0195047	A1 *	8/2009	Bouche	A47C 3/04 297/452.14
2012/0086258	A1 *	4/2012	Fletcher	A47B 91/024 297/445.1
2012/0267923	A1 *	10/2012	Bouche	A47C 7/70 297/161
2014/0077573	A1 *	3/2014	Schneider	A47C 3/12 297/452.14
2016/0106216	A1 *	4/2016	Mehaffey	A47C 3/12 297/452.14

* cited by examiner

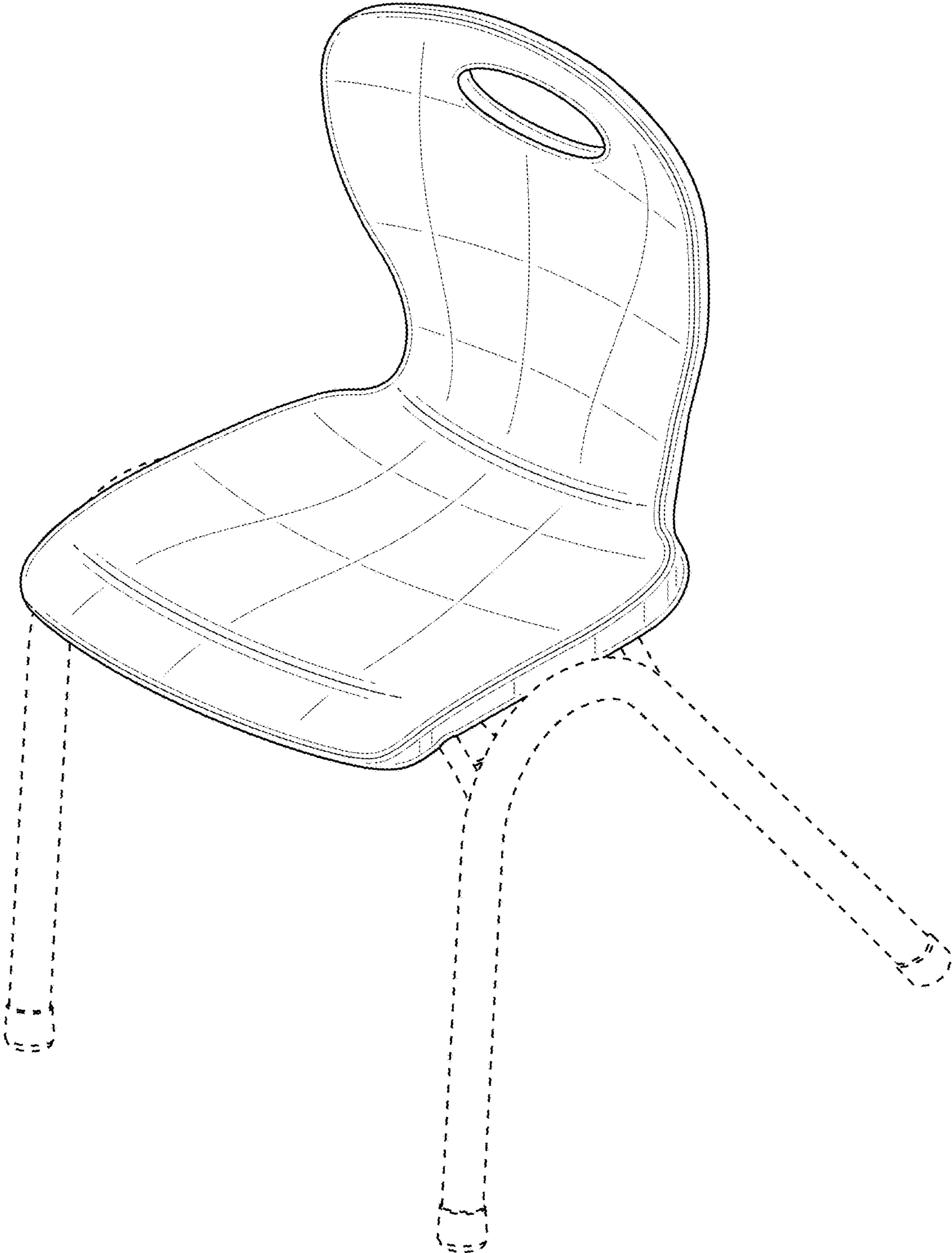


FIG. 1

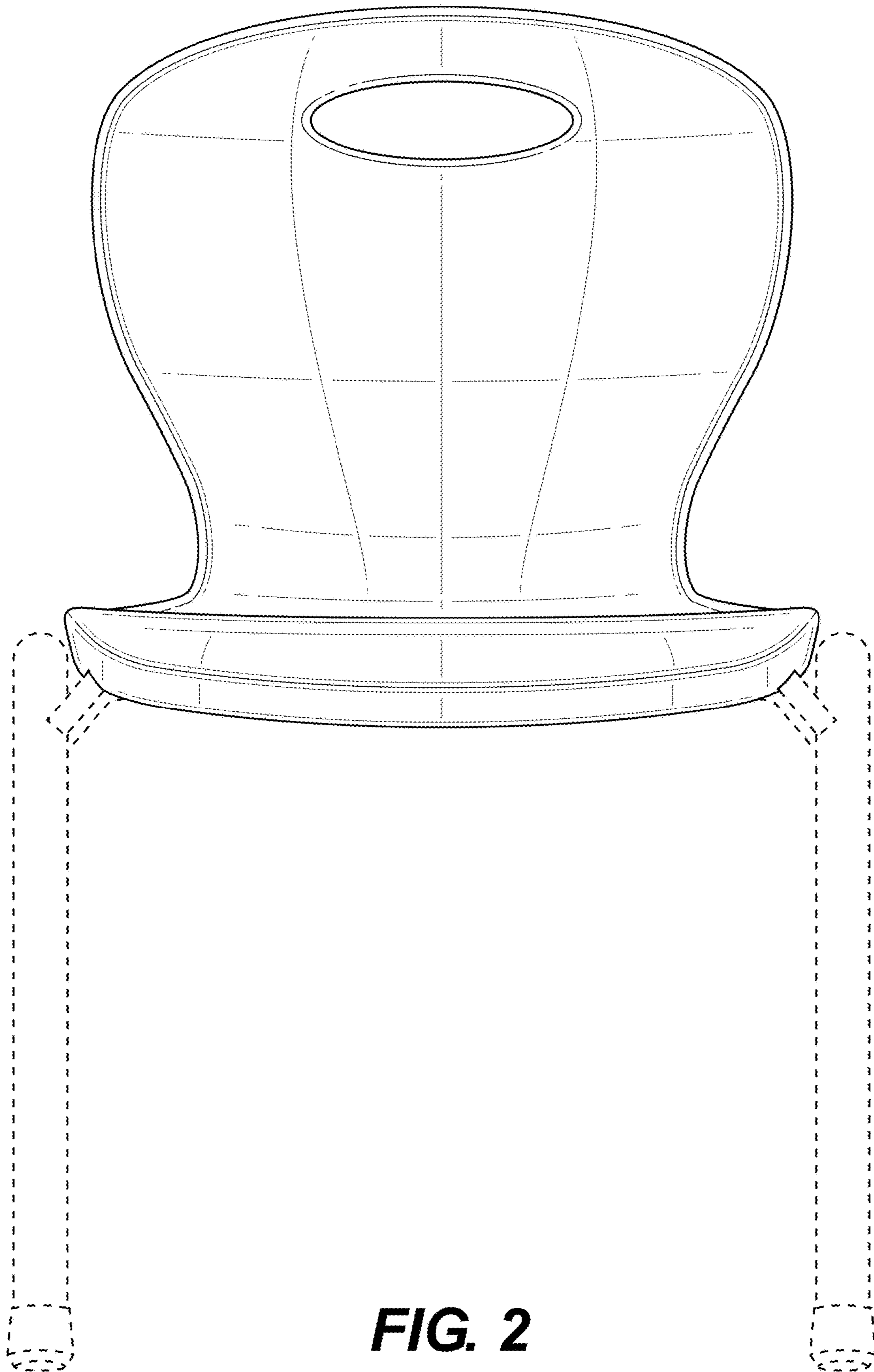


FIG. 2

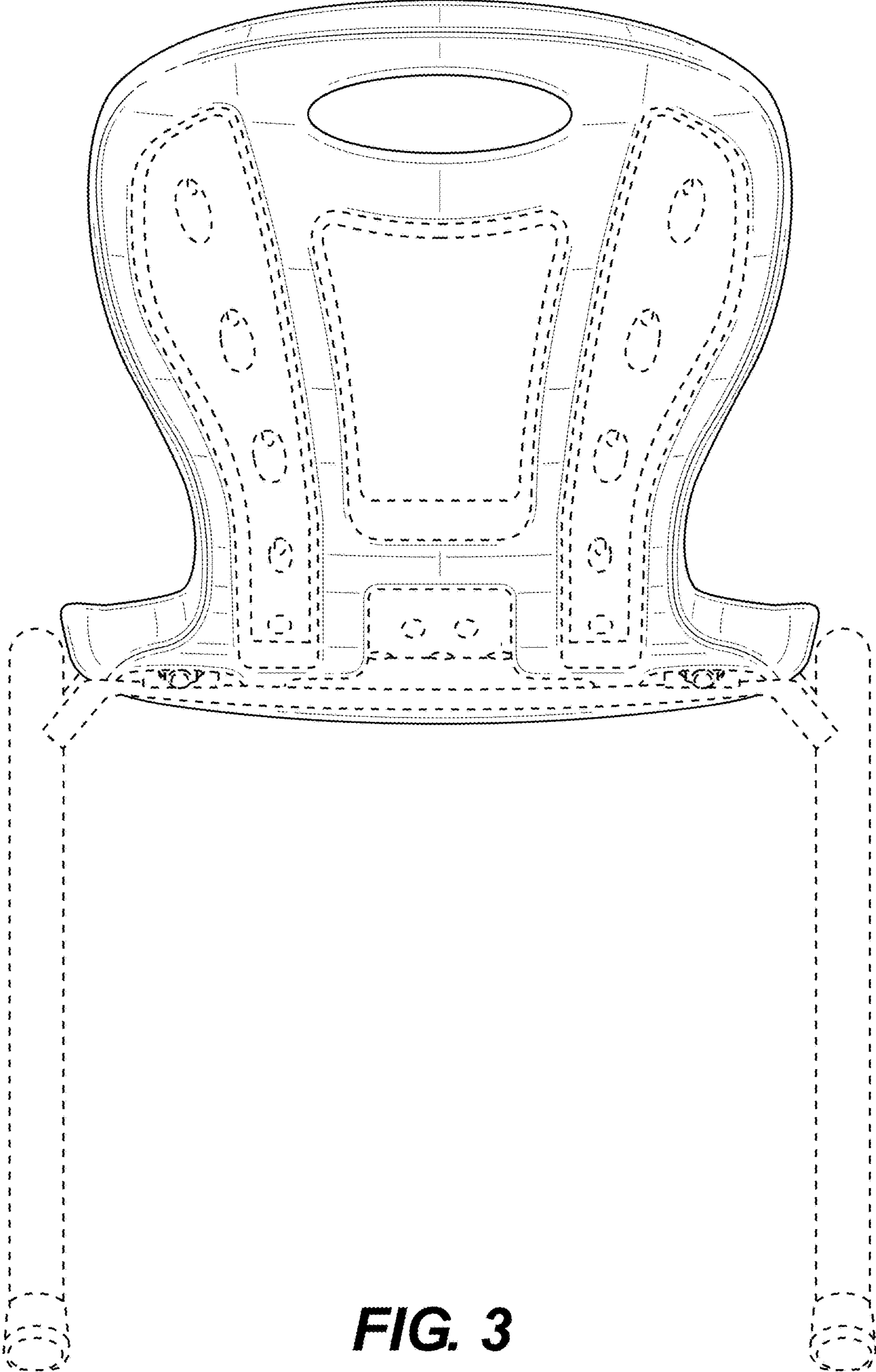


FIG. 3

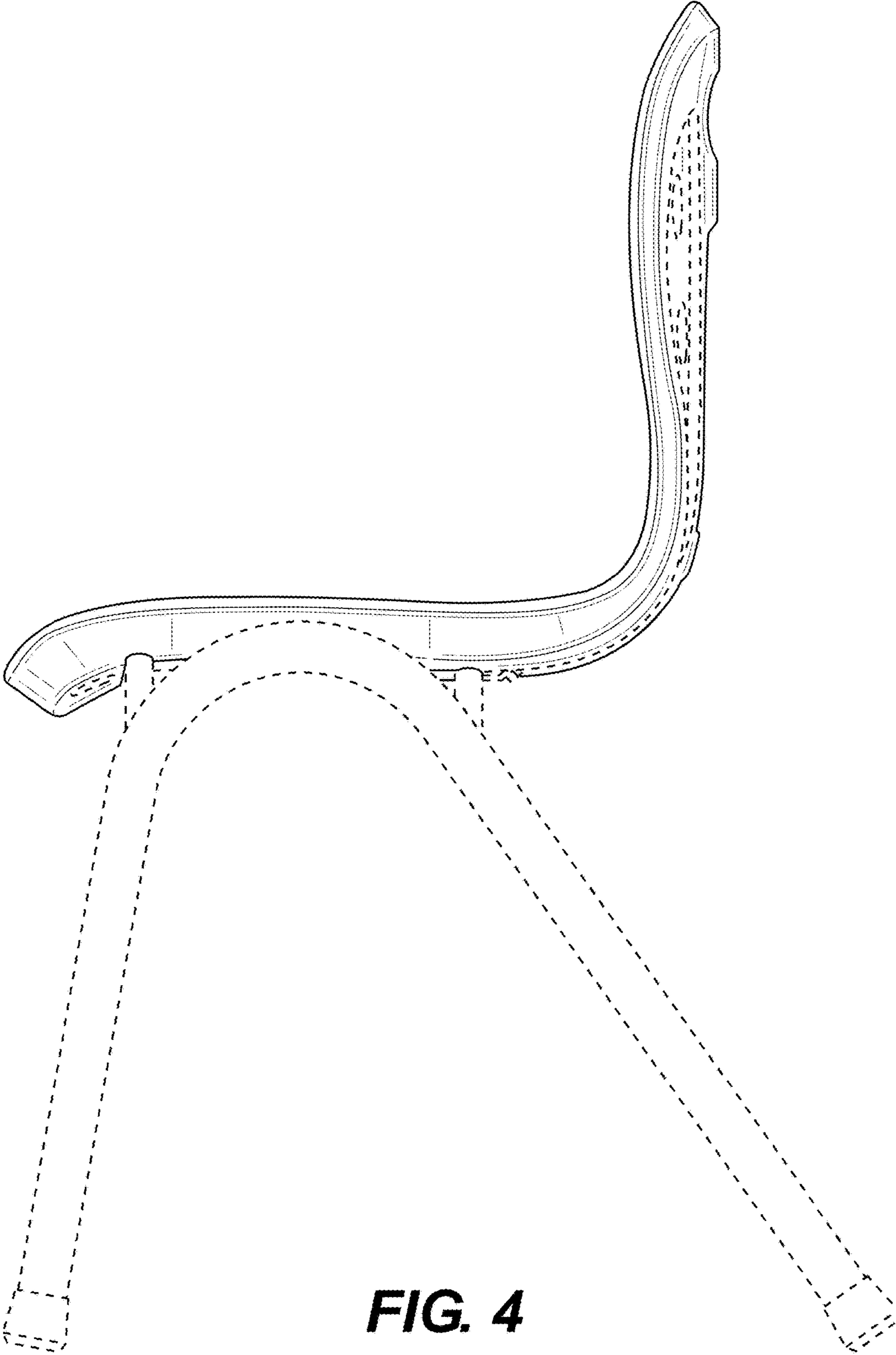


FIG. 4

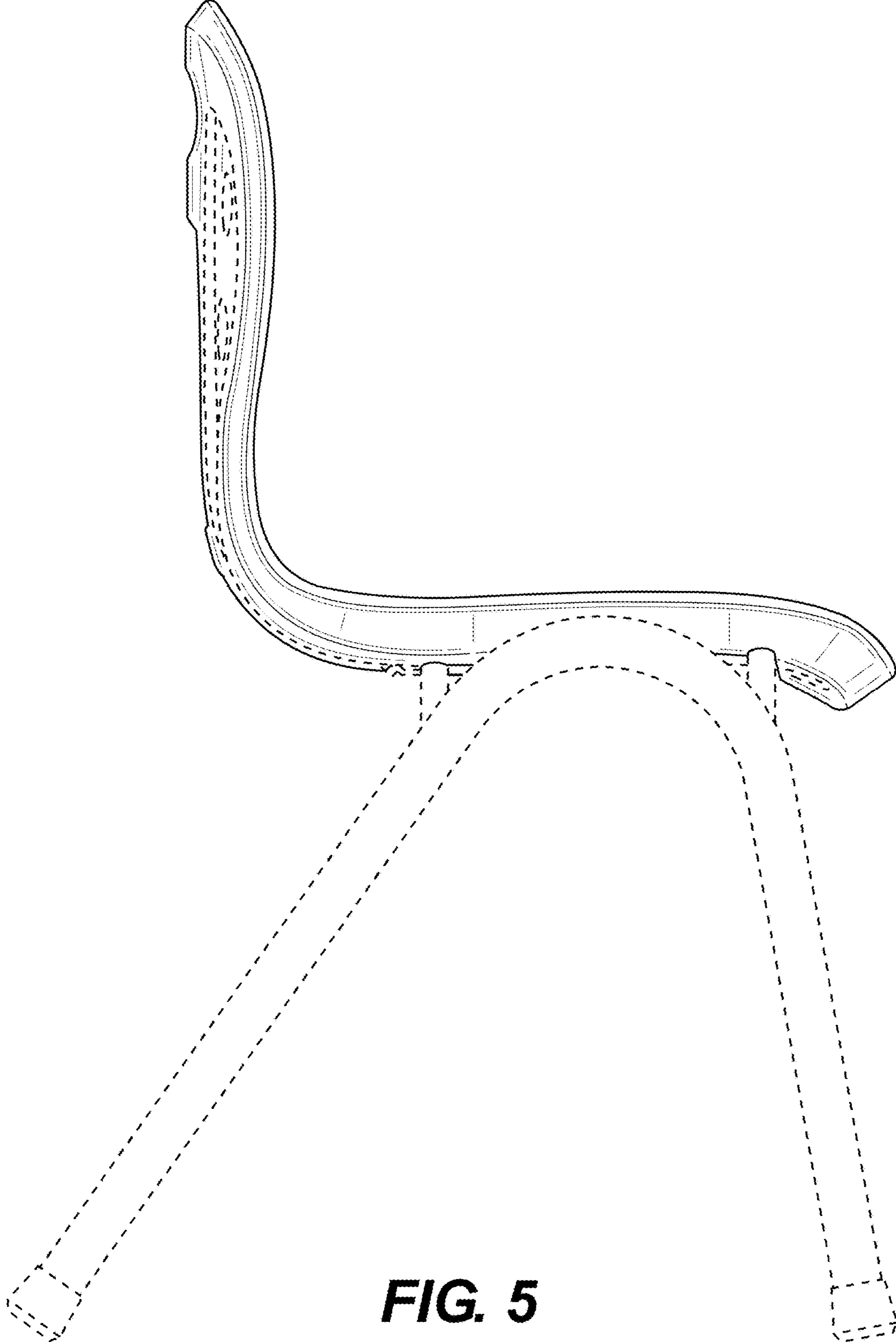


FIG. 5

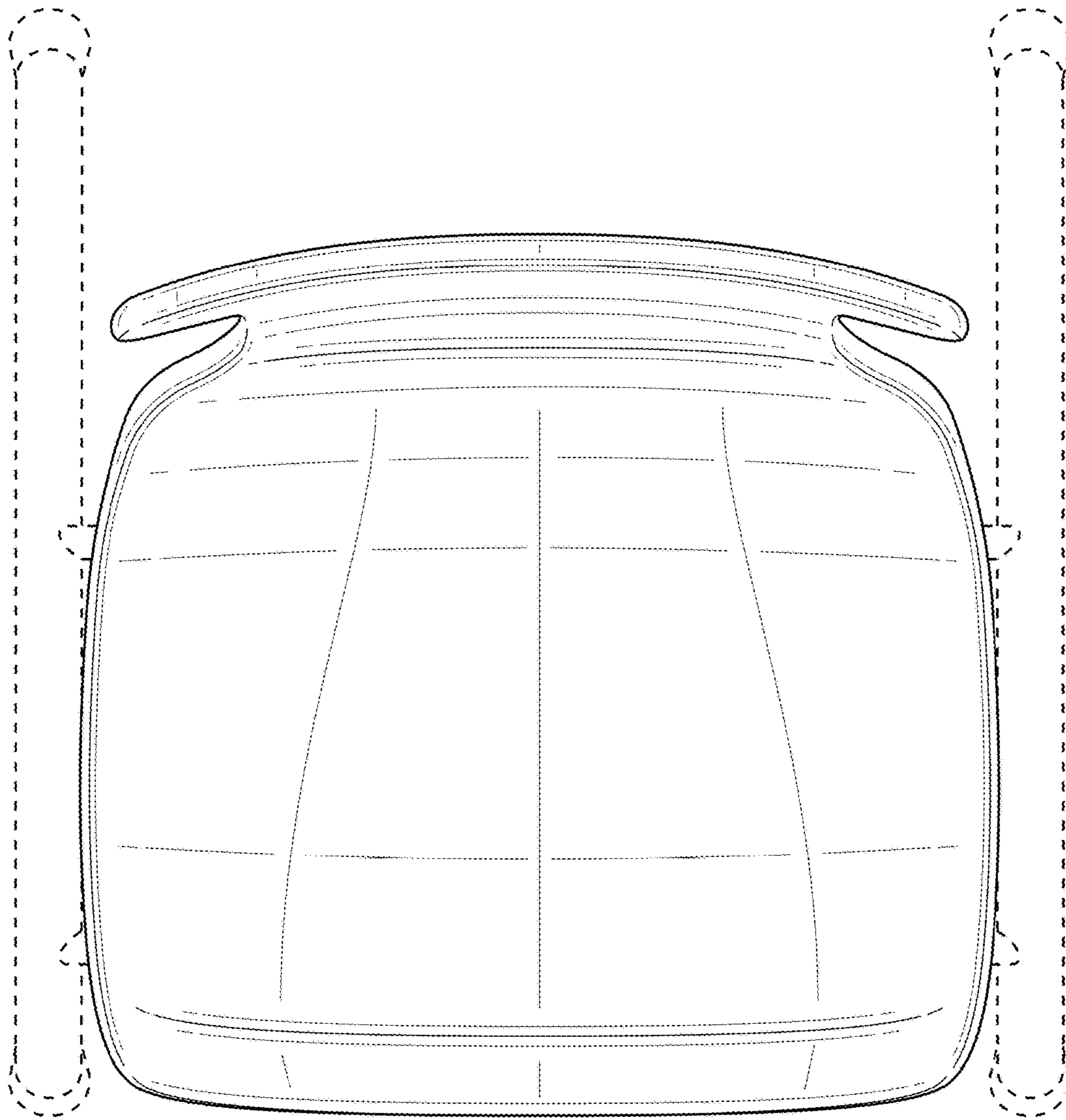


FIG. 6

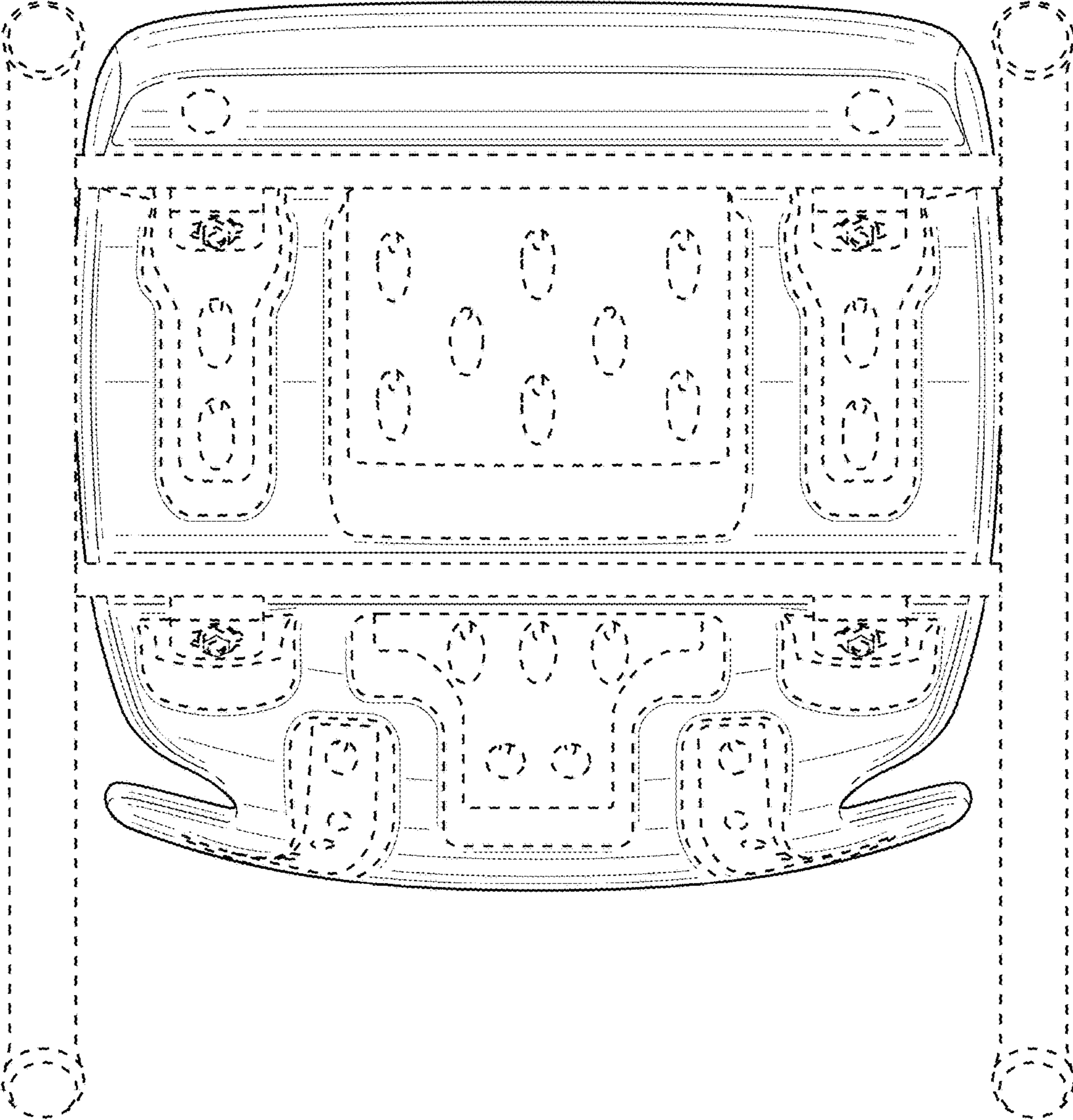


FIG. 7