



US00D801096S

(12) **United States Design Patent** (10) **Patent No.:** **US D801,096 S**  
**Grabowski et al.** (45) **Date of Patent:** **\*\* \*Oct. 31, 2017**

(54) **CHAIR SHELL**  
(71) Applicant: **Paragon Furniture, Inc.**, Arlington, TX (US)  
(72) Inventors: **Daniel Grabowski**, East Grand Rapids, MI (US); **Michael J. Sawadski**, Mount Prospect, IL (US); **Chris Brandel**, Chicago, IL (US); **Matthew Banach**, Gurnee, IL (US); **Dan Rucker**, Chicago, IL (US)

D255,183 S \* 6/1980 Locher ..... D6/366  
D255,185 S \* 6/1980 Locher ..... D6/375  
D270,211 S \* 8/1983 Oberly ..... D6/375  
D289,120 S 4/1987 Chadwick et al.  
4,852,944 A 8/1989 Hartmann  
D390,024 S 2/1998 DeJule  
5,810,438 A 9/1998 Newhouse  
5,860,697 A 1/1999 Fewchuk  
6,003,948 A 12/1999 Holbrook  
D426,973 S 6/2000 Risdall  
D427,444 S 7/2000 Risdall  
6,116,692 A 9/2000 Tarnay et al.  
D442,792 S 5/2001 Martin

(Continued)

(73) Assignee: **Paragon Furniture, Inc.**, Arlington, TX (US)

(\*) Notice: This patent is subject to a terminal disclaimer.

(\*\*) Term: **15 Years**

(21) Appl. No.: **29/551,388**

(22) Filed: **Jan. 13, 2016**

(51) **LOC (10) Cl.** ..... **06-01**

(52) **U.S. Cl.**  
USPC ..... **D6/716; D6/375**

(58) **Field of Classification Search**  
USPC ..... D6/335, 336, 356, 366, 367, 368, 374, D6/601, 611, 708.21, 716, 716.1, 716.2, D6/716.3, 716.4, 16.5, 354, 375, 348, D6/372, 376, 373, 334  
CPC .. A47C 7/022; A47C 7/18; A47C 7/40; A47C 7/383; B60N 2/22; B60N 2/48; B60N 2/66; B60N 2/449; B60N 2/4882; B60N 2/067; B60N 2/0715

See application file for complete search history.

(56) **References Cited**

**U.S. PATENT DOCUMENTS**

D197,643 S \* 3/1964 Kramer ..... D6/366  
D220,388 S \* 4/1971 Kramer ..... D6/366  
4,088,367 A 5/1978 Atkinson et al.

**OTHER PUBLICATIONS**

Sales literature—Paragon A&D Chair, Mar. 7, 2013 (2 pages).  
(Continued)

*Primary Examiner* — Sheryl Lane  
*Assistant Examiner* — Suzette Murphy  
(74) *Attorney, Agent, or Firm* — Ferguson Braswell  
Fraser Kubasta PC; Elizabeth Philip Dahm; Kelly J. Kubasta

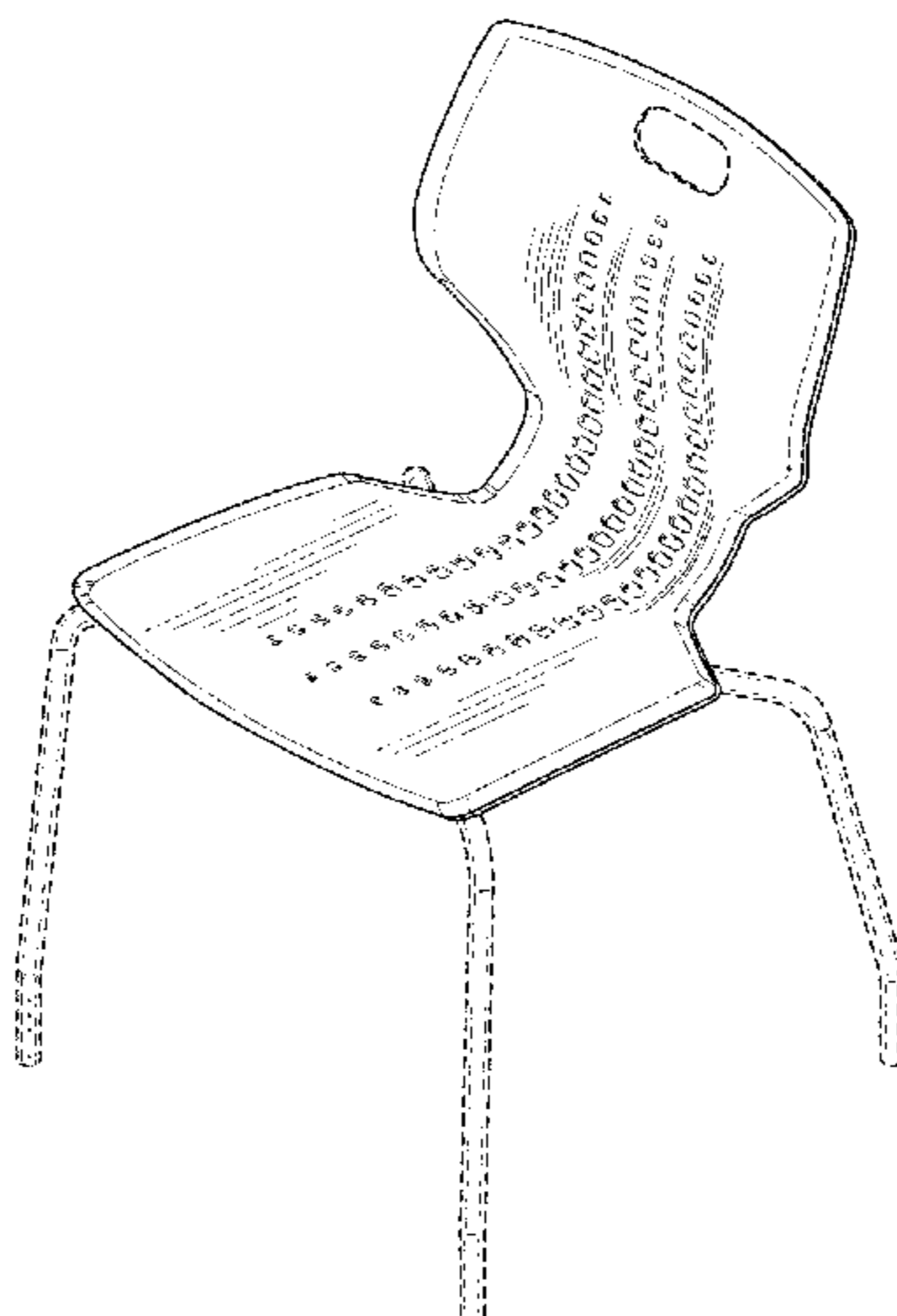
(57) **CLAIM**

The ornamental design for a chair shell, as shown and described.

**DESCRIPTION**

FIG. 1 is a front perspective view of a chair shell; FIG. 2 is a front view of the chair shell of FIG. 1; FIG. 3 is a rear view of the chair shell of FIG. 1; FIG. 4 is a right side of the chair shell of FIG. 1; FIG. 5 is a left side of the chair shell of FIG. 1; FIG. 6 is a top plan view of the chair shell of FIG. 1; and, FIG. 7 is a bottom plan view of the chair shell of FIG. 1. The broken lines showing portions of the article are included for the purpose of illustrating environmental structure and form no part of the claimed design.

**1 Claim, 7 Drawing Sheets**



(56)

References Cited

U.S. PATENT DOCUMENTS

6,250,718 B1 6/2001 Newhouse et al.  
 D456,164 S 4/2002 Vanderiet et al.  
 D456,650 S 5/2002 Ball et al.  
 D470,320 S \* 2/2003 Schloss ..... D6/375  
 D471,729 S 3/2003 Glass et al.  
 D473,407 S \* 4/2003 Ross ..... D6/375  
 6,739,663 B2 5/2004 Gevaert  
 D494,789 S \* 8/2004 Brown ..... D6/716  
 D497,065 S 10/2004 Lucci et al.  
 D499,260 S 12/2004 Glass et al.  
 6,935,690 B2 8/2005 Lucci et al.  
 D521,757 S \* 5/2006 Glass ..... D6/372  
 D522,765 S \* 6/2006 Babick ..... D6/348  
 D546,574 S 7/2007 Kaloustian  
 D549,018 S \* 8/2007 Glass ..... D6/375  
 D555,372 S \* 11/2007 Lin ..... D6/336  
 D558,491 S 1/2008 Kane  
 D566,979 S \* 4/2008 Cox ..... D6/375  
 D572,049 S \* 7/2008 Kerr ..... D6/375  
 D572,928 S \* 7/2008 Rittfeldt ..... D6/375  
 D593,761 S 6/2009 Kaloustian  
 D597,758 S 8/2009 Barrett et al.  
 D598,663 S 8/2009 Hardt, II  
 7,600,820 B2 10/2009 Bouche et al.  
 D607,654 S 1/2010 Fewchuk  
 D609,489 S \* 2/2010 Adams ..... D6/375  
 D611,740 S \* 3/2010 Koh ..... D6/375  
 7,794,022 B2 9/2010 Caruso et al.  
 D638,230 S \* 5/2011 Roy ..... D6/366  
 D638,232 S \* 5/2011 Roy ..... D6/376  
 D643,225 S \* 8/2011 Hurford ..... D6/376  
 D646,076 S \* 10/2011 Levy ..... D6/375  
 D646,916 S 10/2011 Barrett et al.  
 D648,561 S \* 11/2011 Johansson ..... D6/375  
 D648,963 S 11/2011 Brodbeck

D659,444 S \* 5/2012 James ..... D6/375  
 D679,524 S 4/2013 Corcorran et al.  
 D686,032 S 7/2013 Glass et al.  
 D686,857 S 7/2013 Fletcher  
 D686,858 S 7/2013 Fletcher  
 D693,588 S \* 11/2013 Moore ..... D6/375  
 D707,461 S 6/2014 Rada et al.  
 D728,959 S 5/2015 Lievore et al.  
 D731,222 S 6/2015 Bosman  
 D742,153 S 11/2015 Hui et al.  
 D743,180 S 11/2015 Mehaffey et al.  
 D753,945 S \* 4/2016 Johnson ..... A47C 3/04  
 D6/375  
 D766,639 S \* 9/2016 Glass ..... D6/373  
 2005/0012369 A1 1/2005 Mendenhall et al.  
 2011/0193393 A1 8/2011 Welsh  
 2012/0267934 A1 10/2012 Fewchuk  
 2014/0077573 A1 3/2014 Schneider et al.  
 2015/0289656 A1 10/2015 Saint Pierre et al.

OTHER PUBLICATIONS

Sales literature—KI Intellect Wave Classroom Furniture, 2015 (12 pages).  
 Sales literature—VS Compass-LuPo Four Legged chair, Mar. 31, 2014 (1 page).  
 Sales literature—VS PantoSwing-LuPo Forward-flexing cantilever chair, Mar. 24, 2014 (1 page).  
 Sales literature—Smith System product catalog, 2015, (251 pages).  
 Sales literature—Virco N2 Series 4-Leg Chair, no publication date (1 page).  
 Sales literature—Virco Telos Stacking Chair, no publication date (1 page).  
 Sales literature—Virco Zuma 4-Leg Chair, no publication date (1 page).

\* cited by examiner

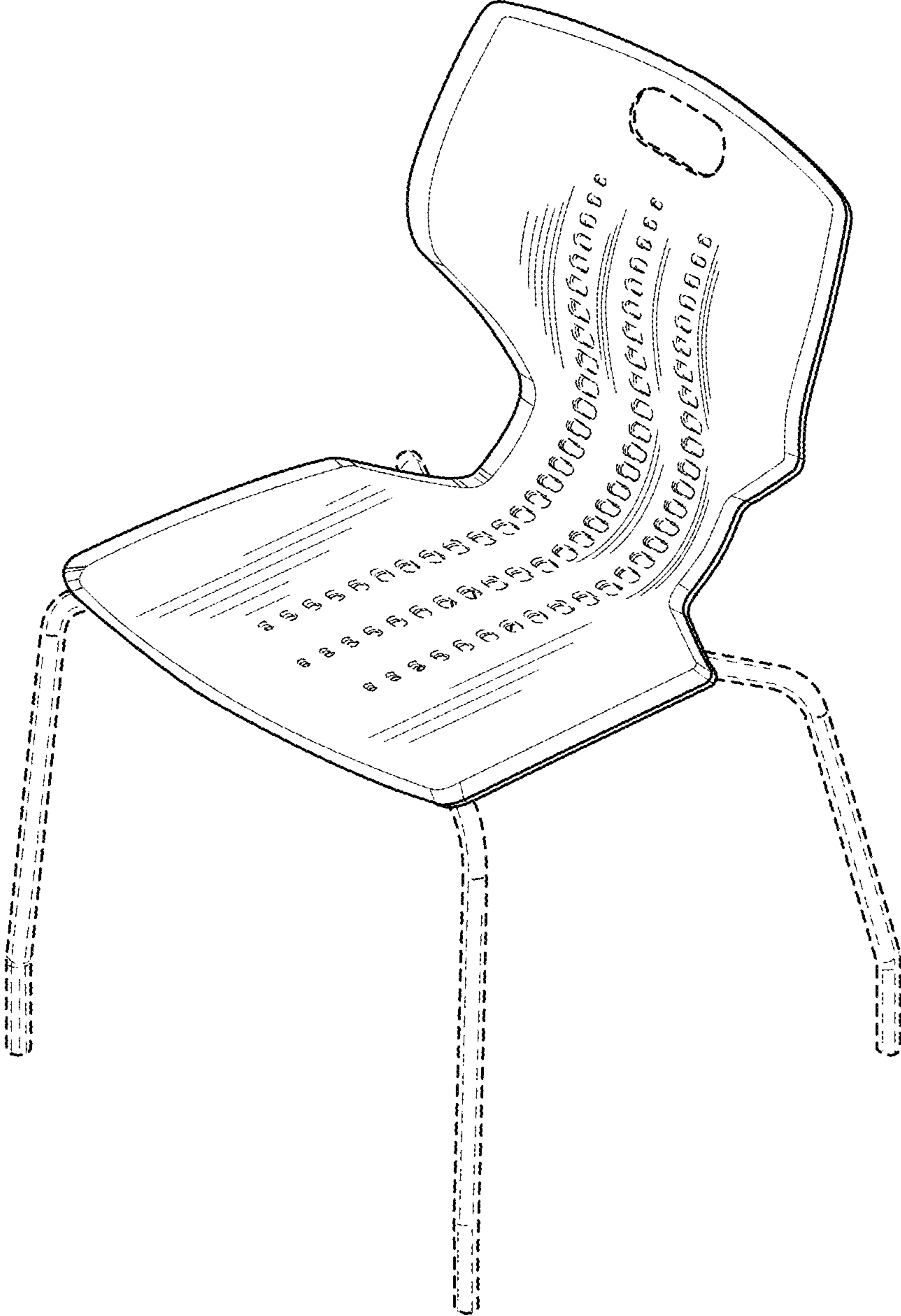
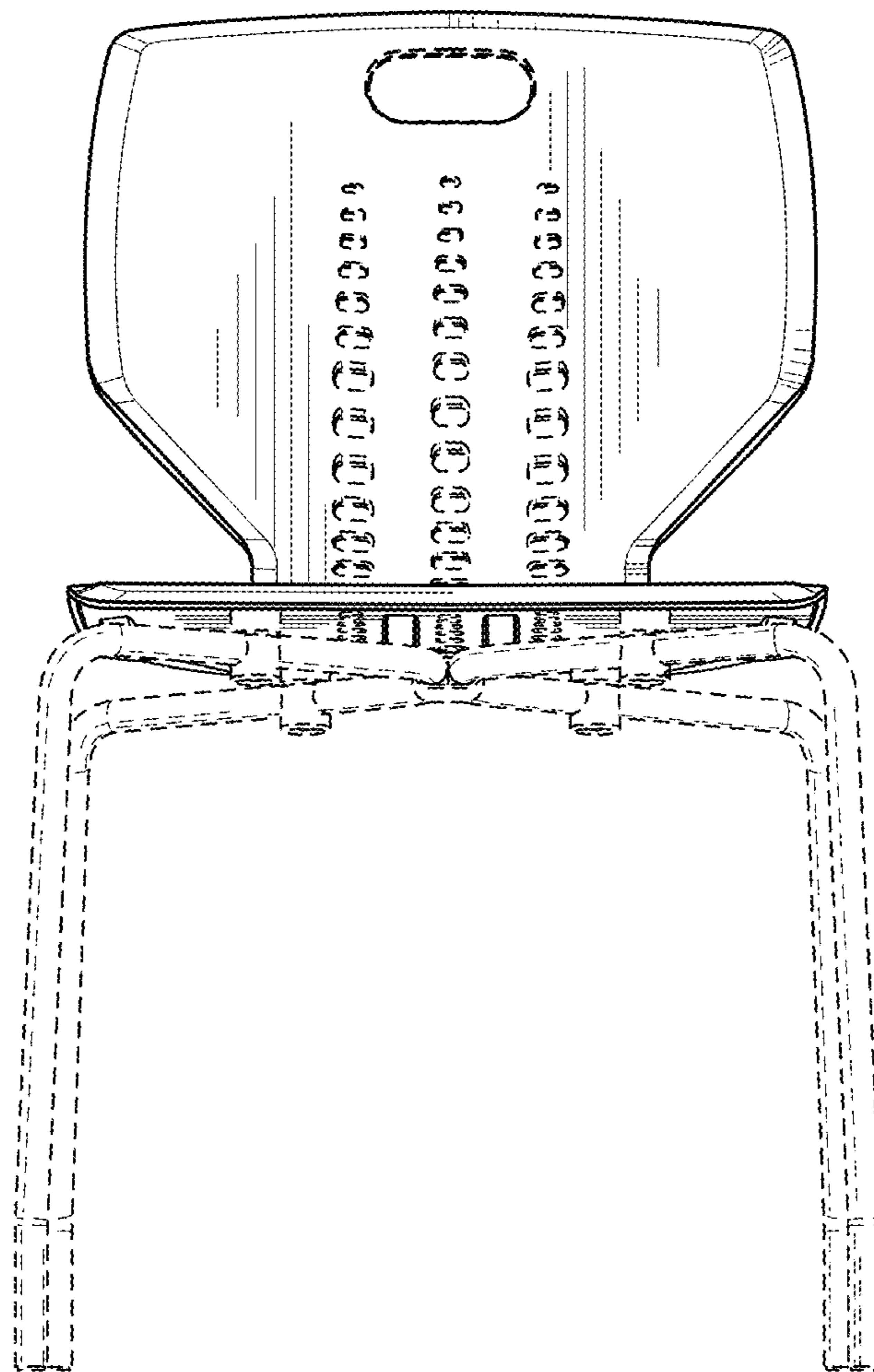


FIG. 1



**FIG. 2**

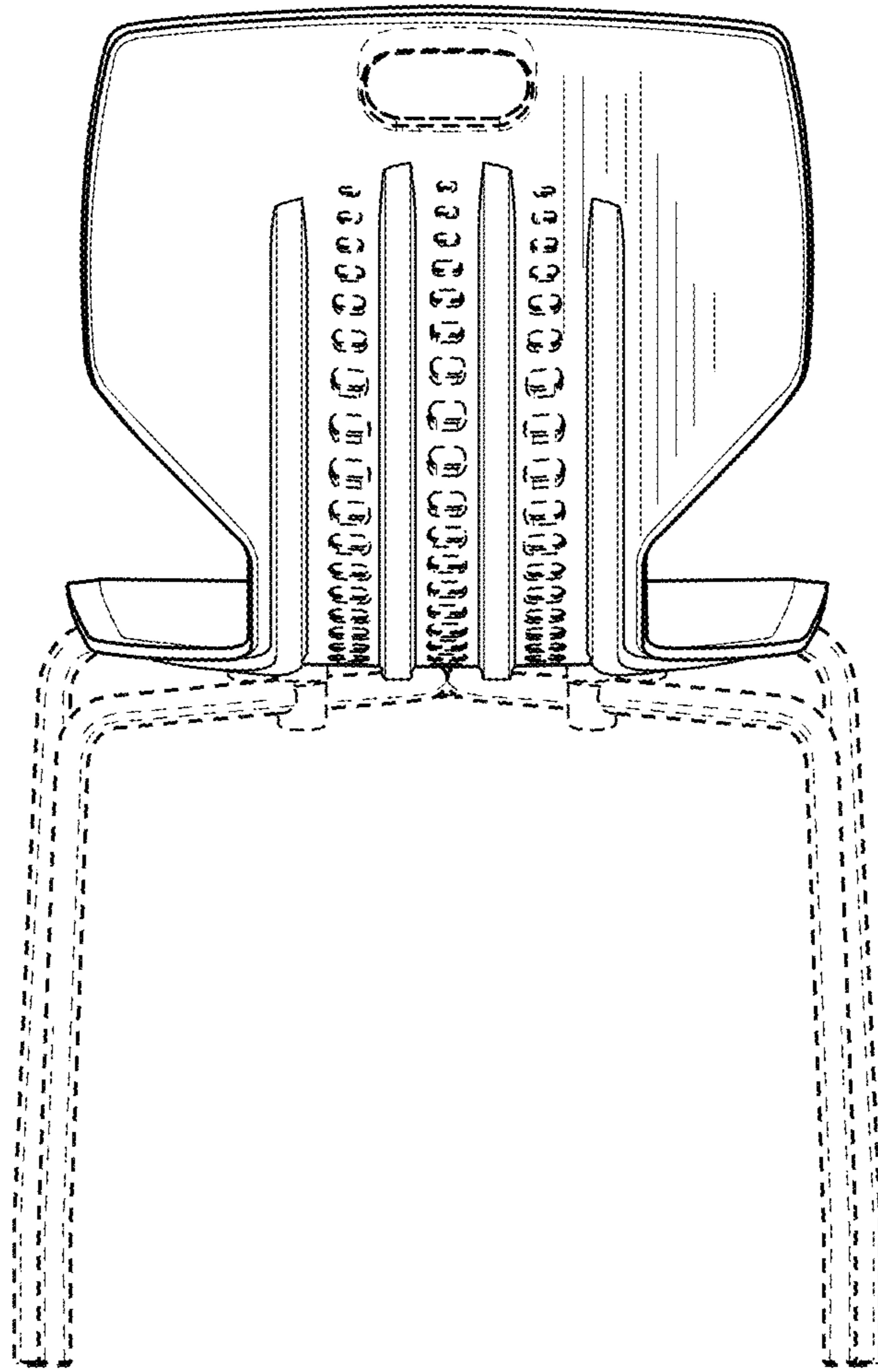
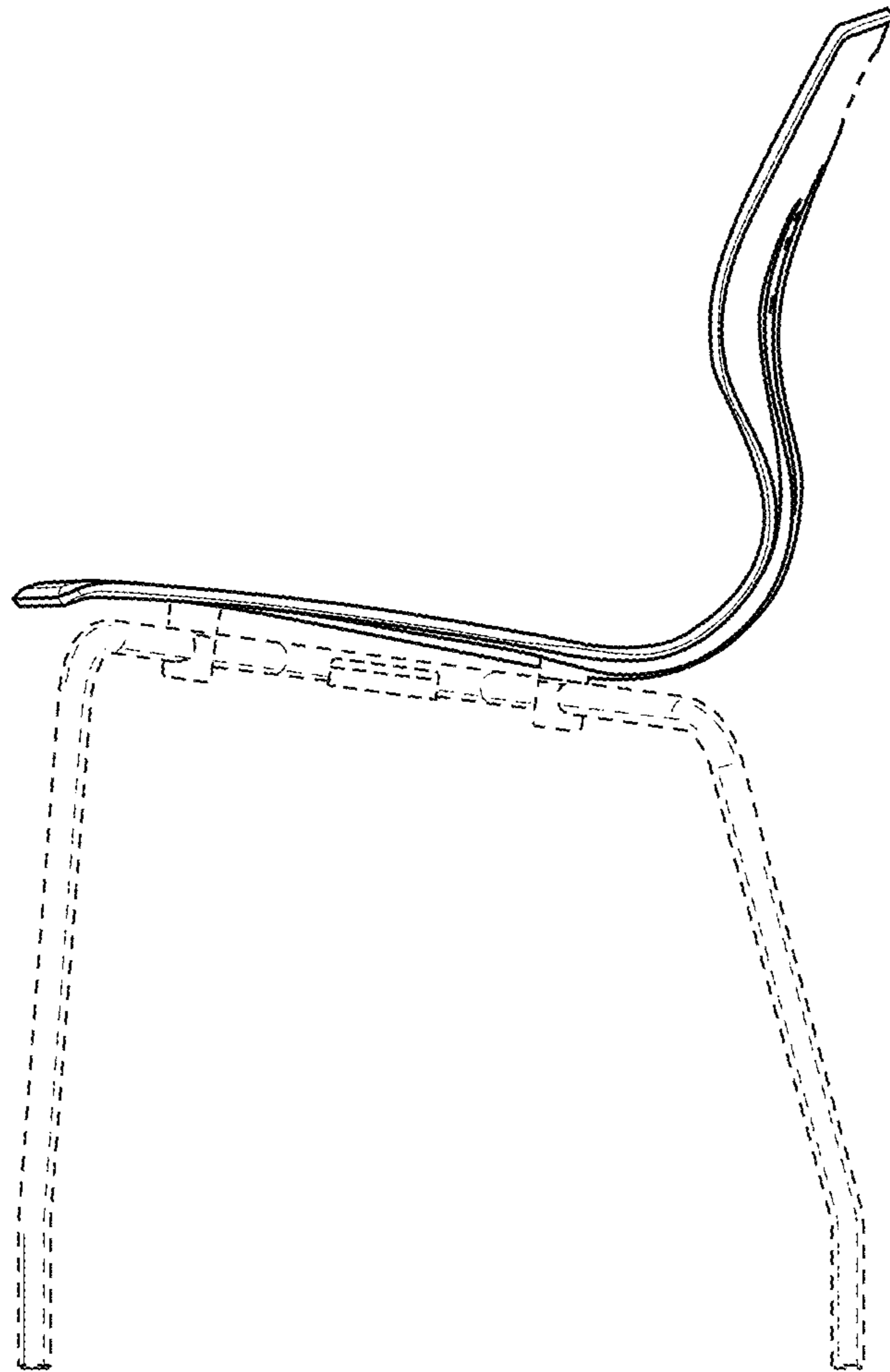
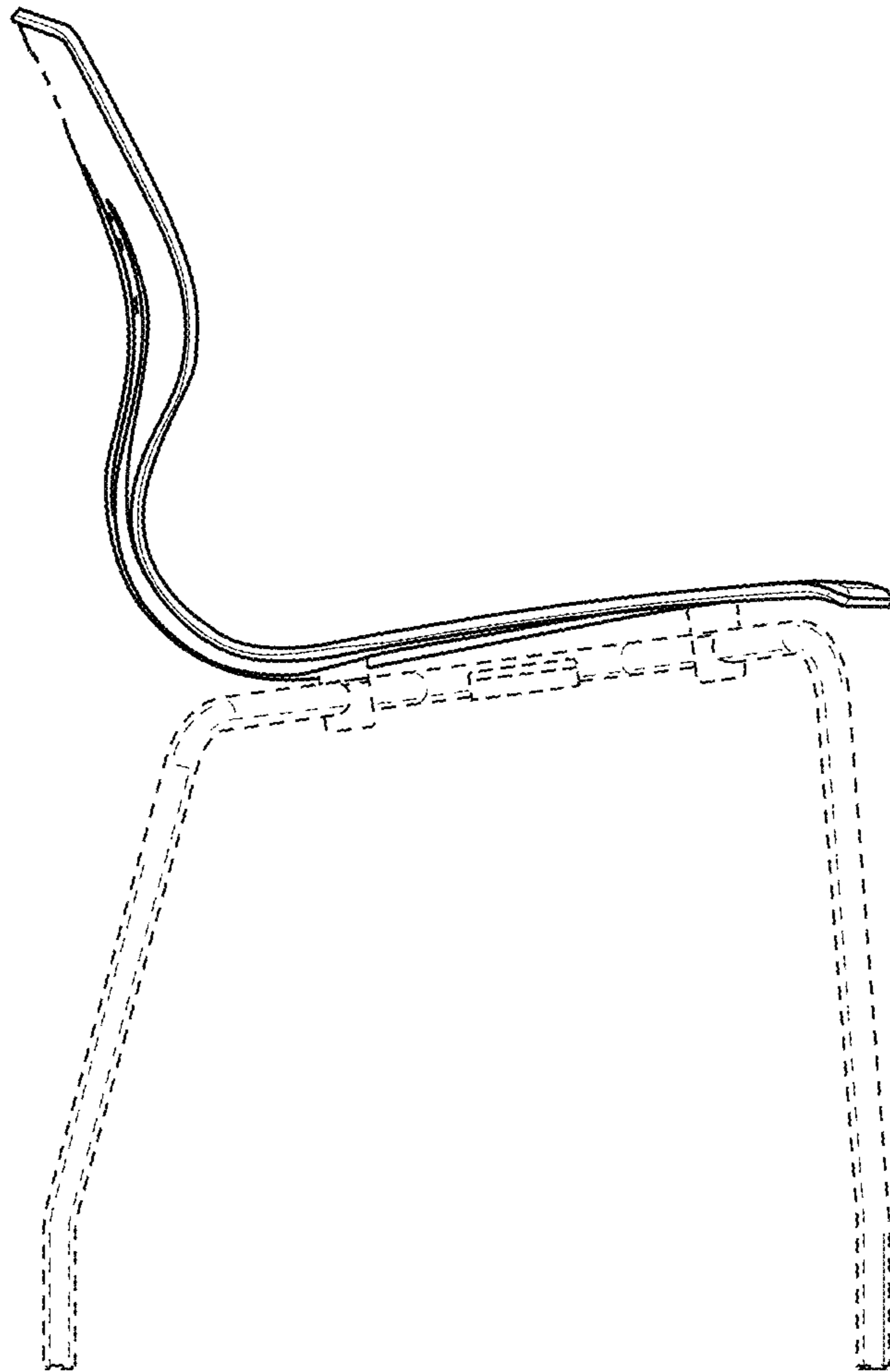


FIG. 3



**FIG. 4**



**FIG. 5**

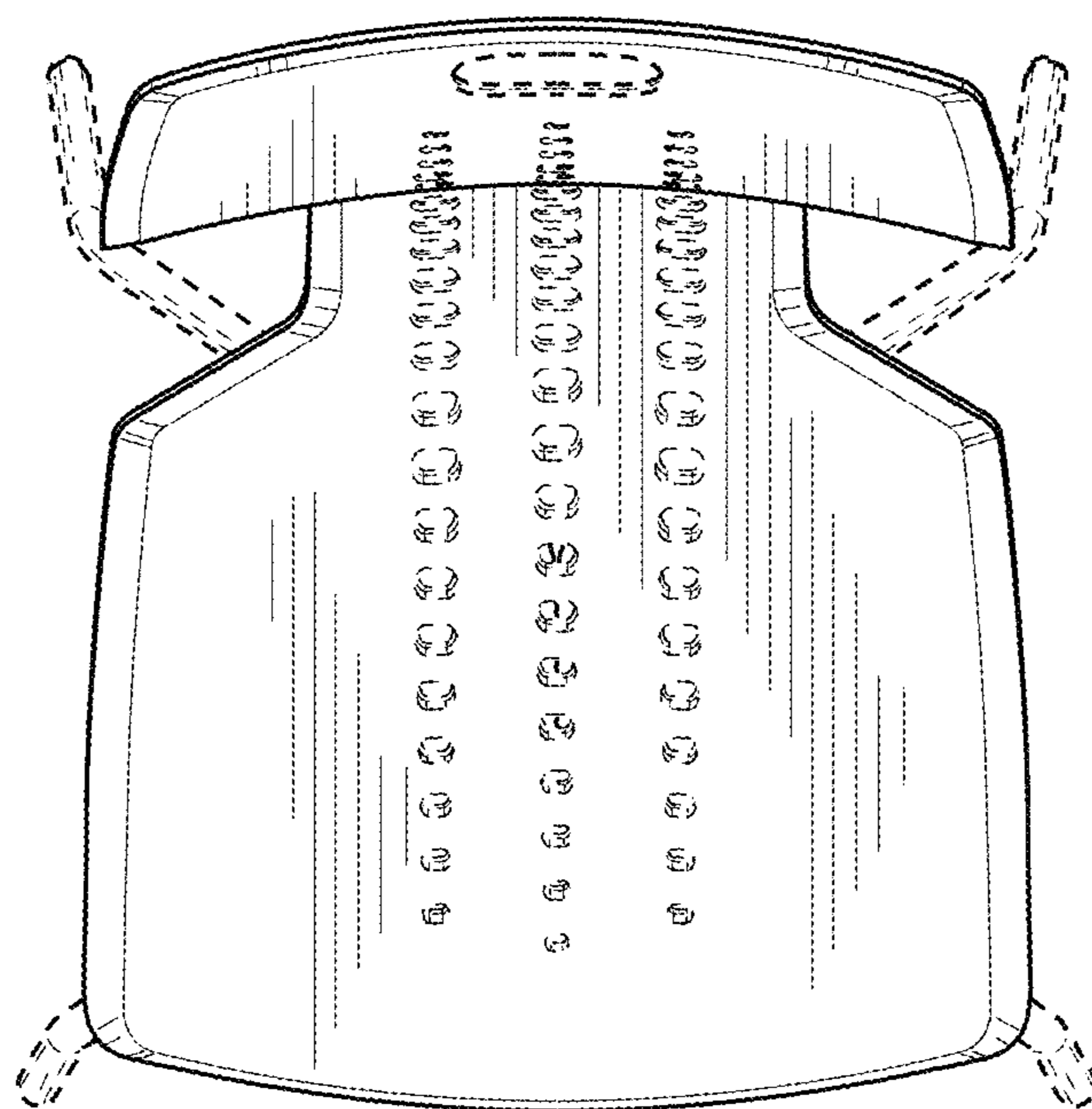


FIG. 6



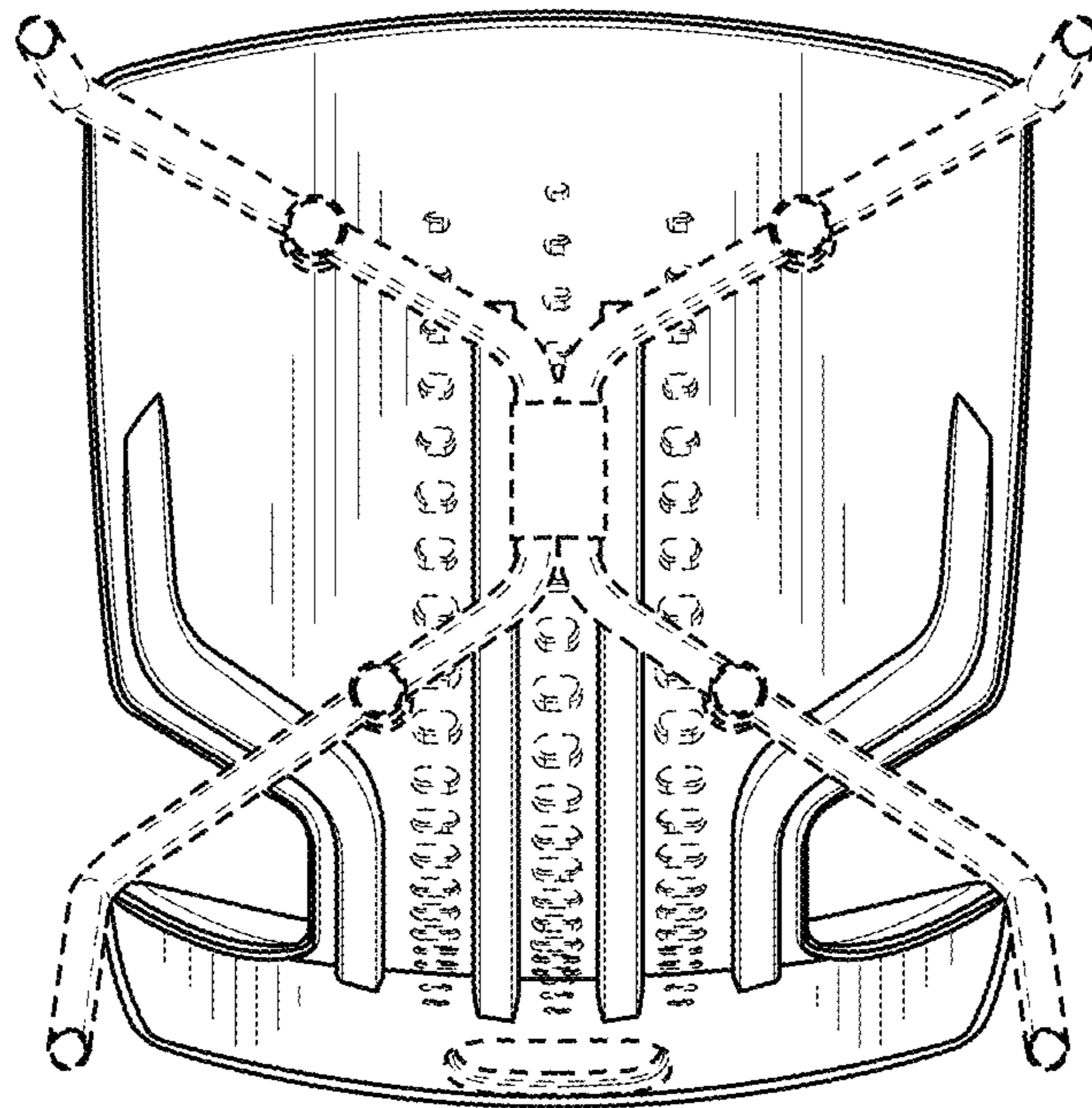


FIG. 7