



US00D801095S

(12) **United States Design Patent** (10) **Patent No.:** **US D801,095 S**
Konghe (45) **Date of Patent:** **** Oct. 31, 2017**

(54) **TOILET STOOL FOOT REST**
(71) Applicants: **Ben Zioni**, Los Angeles, CA (US);
Yaniv Zioni, Los Angeles, CA (US)
(72) Inventor: **Zhu Konghe**, Taizhou (CN)
(**) Term: **15 Years**

D629,627 S * 12/2010 Mylet D6/349
D652,222 S * 1/2012 Edwards D6/349
D668,472 S * 10/2012 Wong D6/406.5
D677,478 S 3/2013 Edwards et al.
D698,163 S * 1/2014 Edwards D6/349
D705,554 S * 5/2014 Edwards D6/349
(Continued)

(21) Appl. No.: **29/546,098**
(22) Filed: **Nov. 18, 2015**

(30) **Foreign Application Priority Data**

Jun. 2, 2015 (CN) 2015 3 0175260

(51) **LOC (10) Cl.** **06-01**
(52) **U.S. Cl.**
USPC **D6/716; D6/349**

(58) **Field of Classification Search**
USPC D6/334, 349–355, 363, 360, 368, 374,
D6/403, 405, 685, 688.17, 693–693.3,
D6/695, 708, 708.15–708.25, 709.11;
D25/62–65
CPC A47C 9/00–9/105; A47C 7/00–7/02; A47C
16/00–16/04; A47B 7/00–7/02; A47B
3/00; A47B 3/02; A47B 3/04; A47B 3/12
See application file for complete search history.

(56) **References Cited**

U.S. PATENT DOCUMENTS

D140,212 S * 1/1945 McLane 297/423.41
D148,632 S * 2/1948 Martin 297/423.41
2,834,028 A * 5/1958 Stanley A47K 13/06
297/423.1
D192,218 S * 2/1962 Forsman D6/349
D268,796 S * 5/1983 Kola D6/349
4,713,846 A * 12/1987 Hodroski, Jr. A47K 17/00
4/254
D297,789 S * 9/1988 Stepien D6/349
5,028,024 A * 7/1991 Welles A47K 17/028
248/163.1
D508,556 S * 8/2005 Palazzolo D23/309

OTHER PUBLICATIONS

Snug StoolEase Detachable Toilet Stool—9 inch Bathroom Step
(Grey). [online] Retrieved Jun. 12, 2017 from URL: <https://www.
amazon.com/Snug%C2%ADStoolEase%C2%ADDetach-
able%C2%ADToilet%C2%ADStool/dp/B01CQWQK5S/ref=as_
li_ss_tl?s=hpc&ie=UTF8&qid=1469226663&sr=1%C2%AD1
&keywords=s%E2%80%A6>.*

(Continued)

Primary Examiner — Vy N Koenig
(74) *Attorney, Agent, or Firm* — Payam Moradian

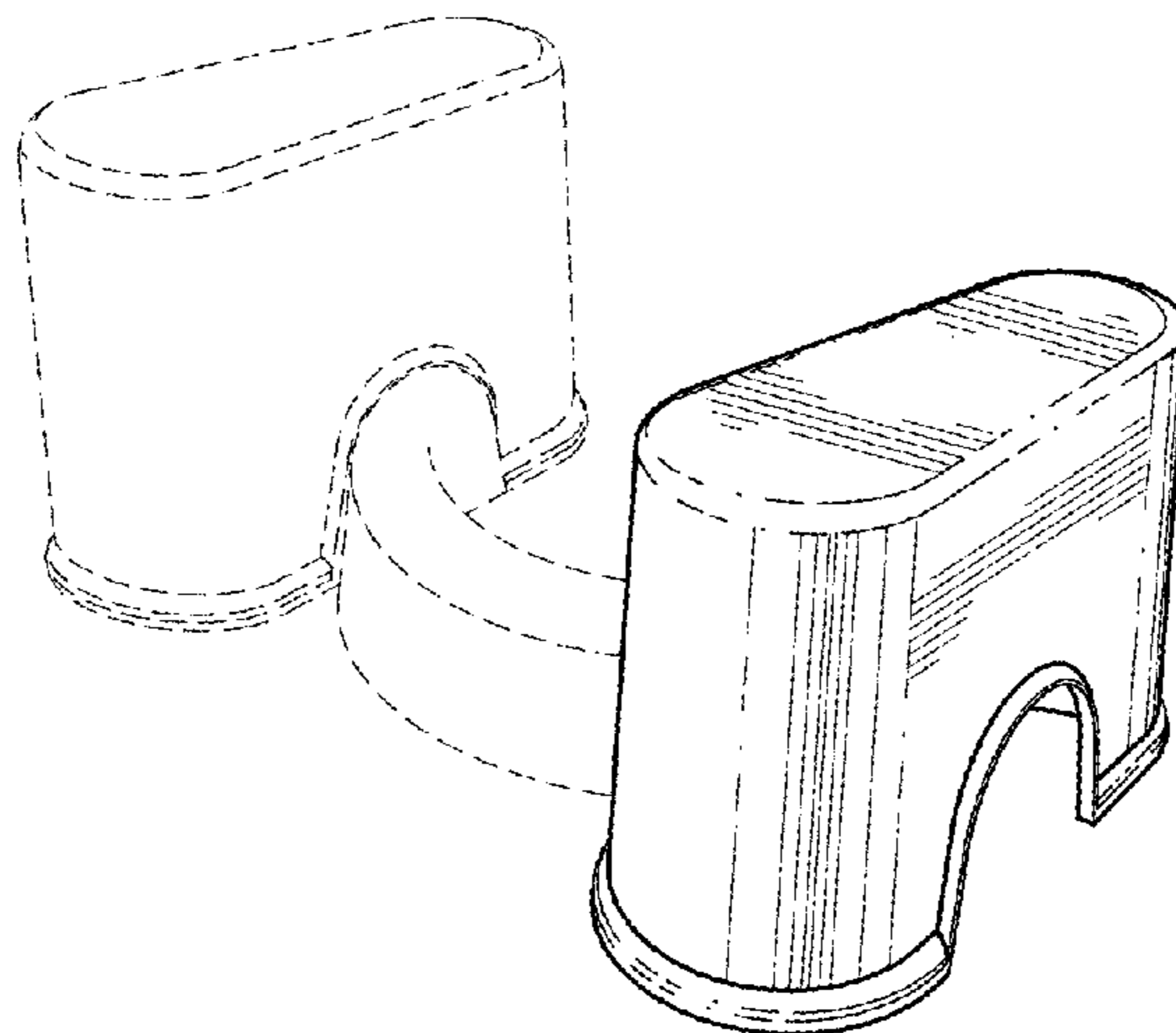
(57) **CLAIM**

The ornamental design for the toilet stool foot rest, as shown
and described.

DESCRIPTION

FIG. 1 is a perspective view of a toilet stool foot rest;
FIG. 2 is a left side view of the toilet stool, illustrating the
foot rest that is in uniform broken lines;
FIG. 3 is a right side elevation view of the toilet stool foot
rest;
FIG. 4 is a front side elevation view thereof;
FIG. 5 is a rear side elevation view thereof;
FIG. 6 is a top plan view thereof;
FIG. 7 is a bottom plan view thereof;
FIG. 8 is a cross sectional view along line 8-8 of FIG. 4; and,
FIG. 9 is a cross sectional view along line 9-9 of FIG. 4.
The uniform broken lines in the drawings depict portions of
the toilet stool foot rest that form no part of the claimed
design.

1 Claim, 4 Drawing Sheets



(56)

References Cited

U.S. PATENT DOCUMENTS

D716,065 S * 10/2014 Hubbard, Jr. D6/349
9,066,598 B1 * 6/2015 Sears A47C 16/02
D749,330 S * 2/2016 Jahns D6/349
9,307,879 B2 * 4/2016 Fagre A47K 17/028
D764,188 S * 8/2016 Brown D6/349
D766,604 S * 9/2016 Edwards A47K 17/02
D6/353
D767,291 S * 9/2016 Edwards A47C 16/025
D6/353
D767,323 S * 9/2016 Kucinic D6/358
D785,351 S * 5/2017 D'Angelo D6/349
D787,846 S * 5/2017 Naik D6/353
2014/0123376 A1 5/2014 Edwards et al.

OTHER PUBLICATIONS

Removable Toilet Stool Non-slip Squat Toilet Tool Comfortable Squat Aid Stool Bowel Movements Crouch Hole Artifact 2016 New. [online] Retrieved Jun. 12, 2017 from URL: <<https://www.aliexpress.com/item/RemovableToiletStoolNonslipSquatToilet-ToolComfortableSquatAidStoolBowelMovementsCrouchHole/32744437>>.*

Squat N Go The Only Detachable Space Saver Toilet Stool in The World Free Travel Bag Free Poop Guide, 9". [online] Retrieved Jun. 12, 2017 from URL: <<https://www.amazon.com/SquatGoDetachableToiletTravel/dp/B01CRKCCYW?th=1>>.* <<http://zjhyhexing.en.alibaba.com/>> Nov. 18, 2015.

* cited by examiner

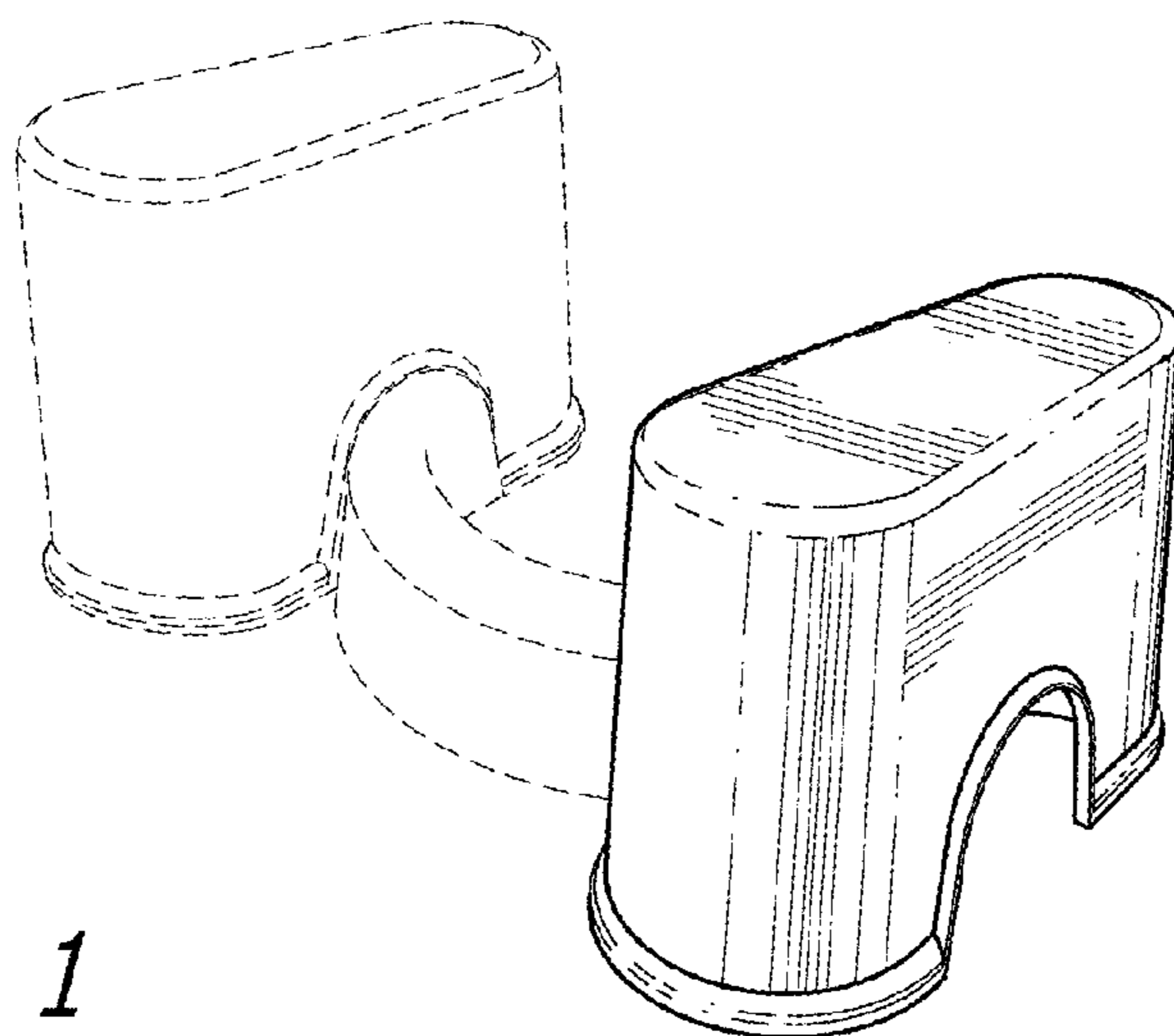


FIG. 1

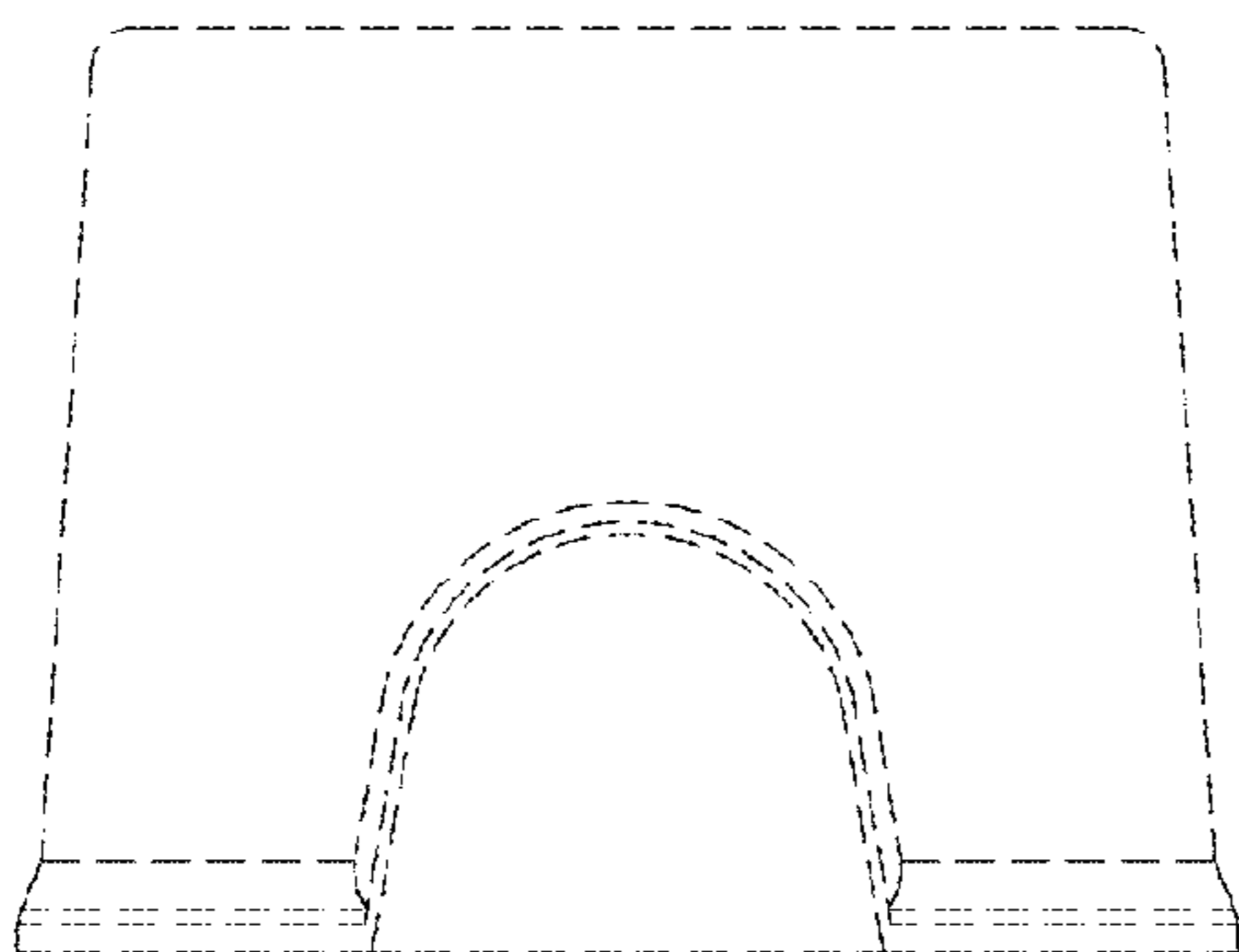


FIG. 2

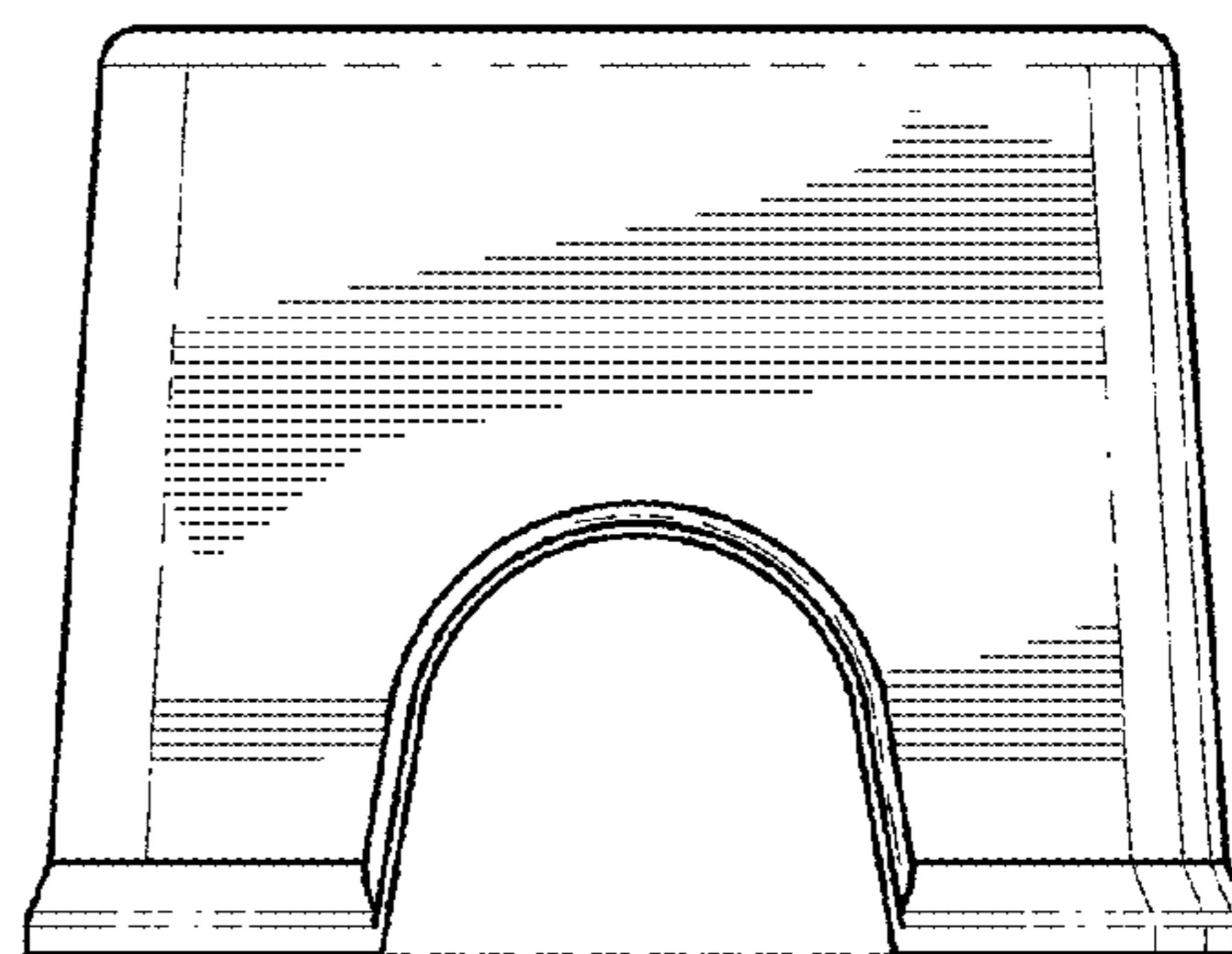
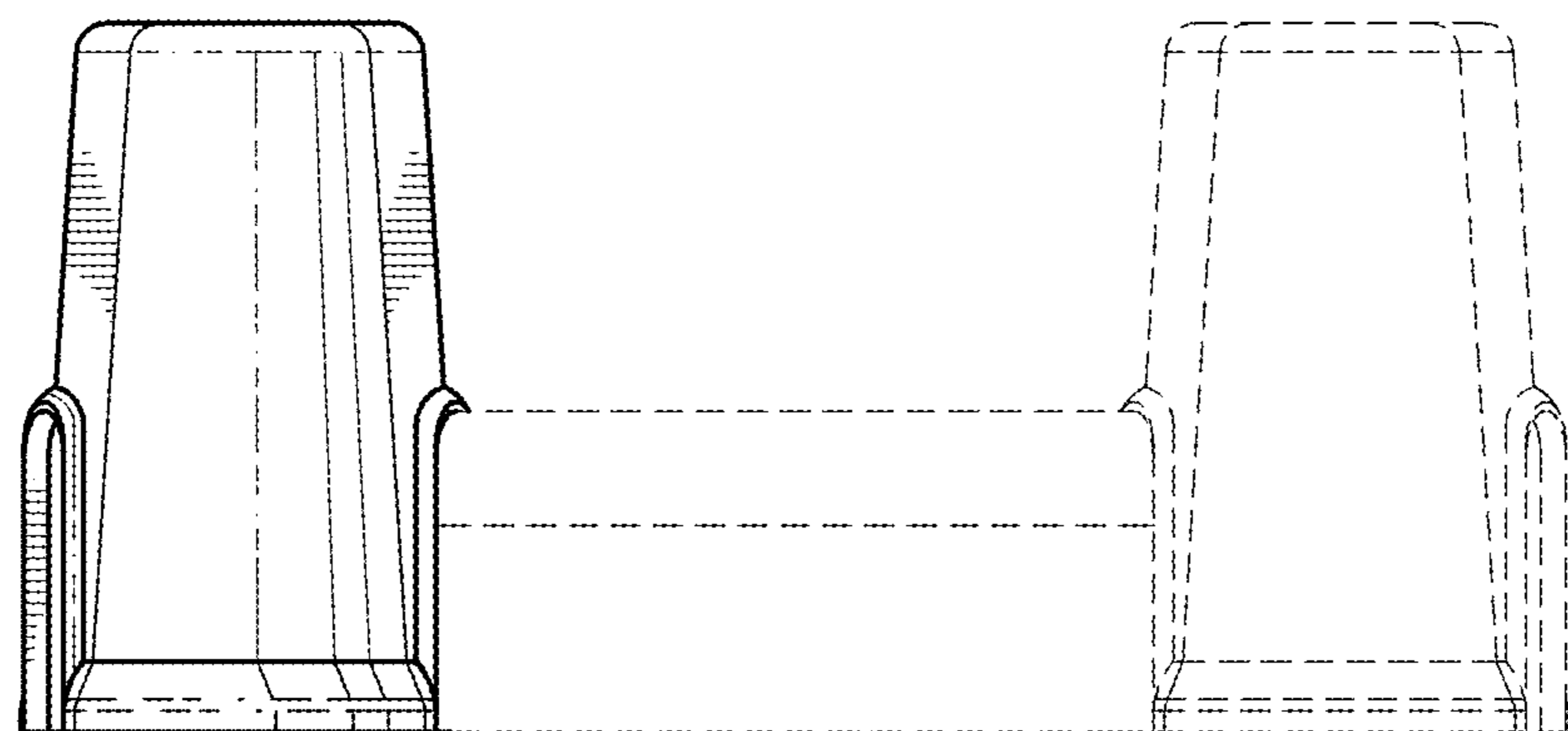
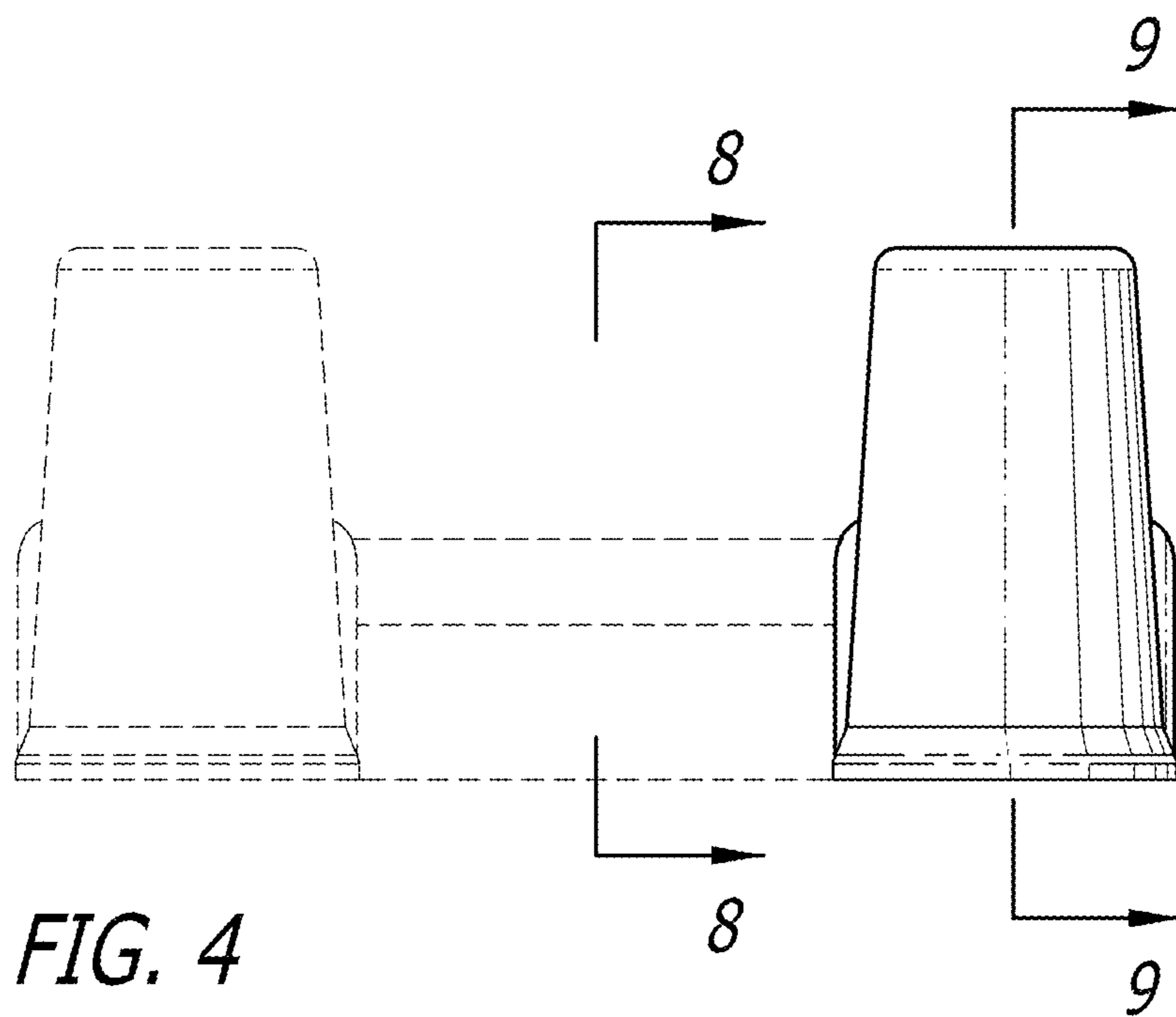


FIG. 3



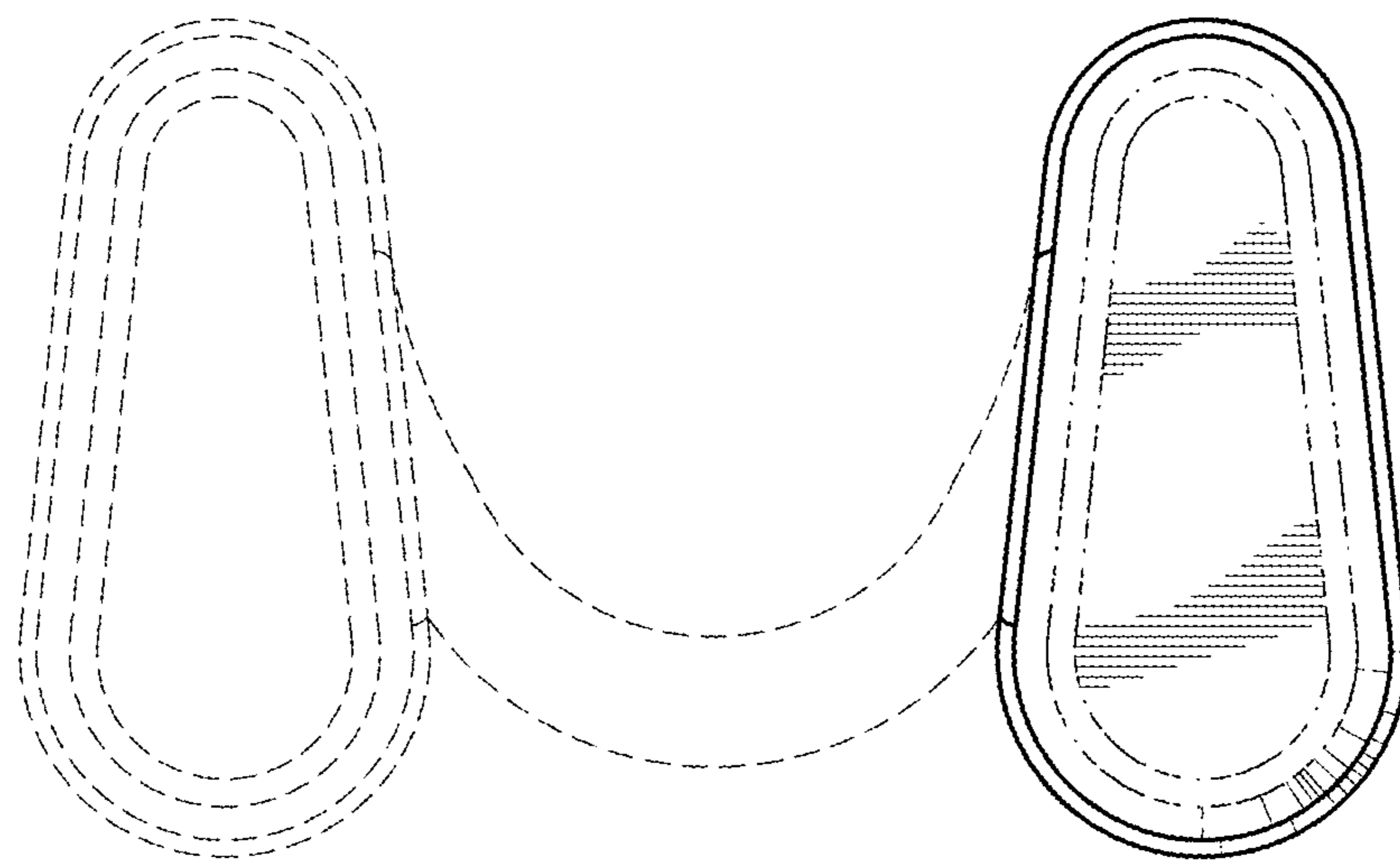


FIG. 6

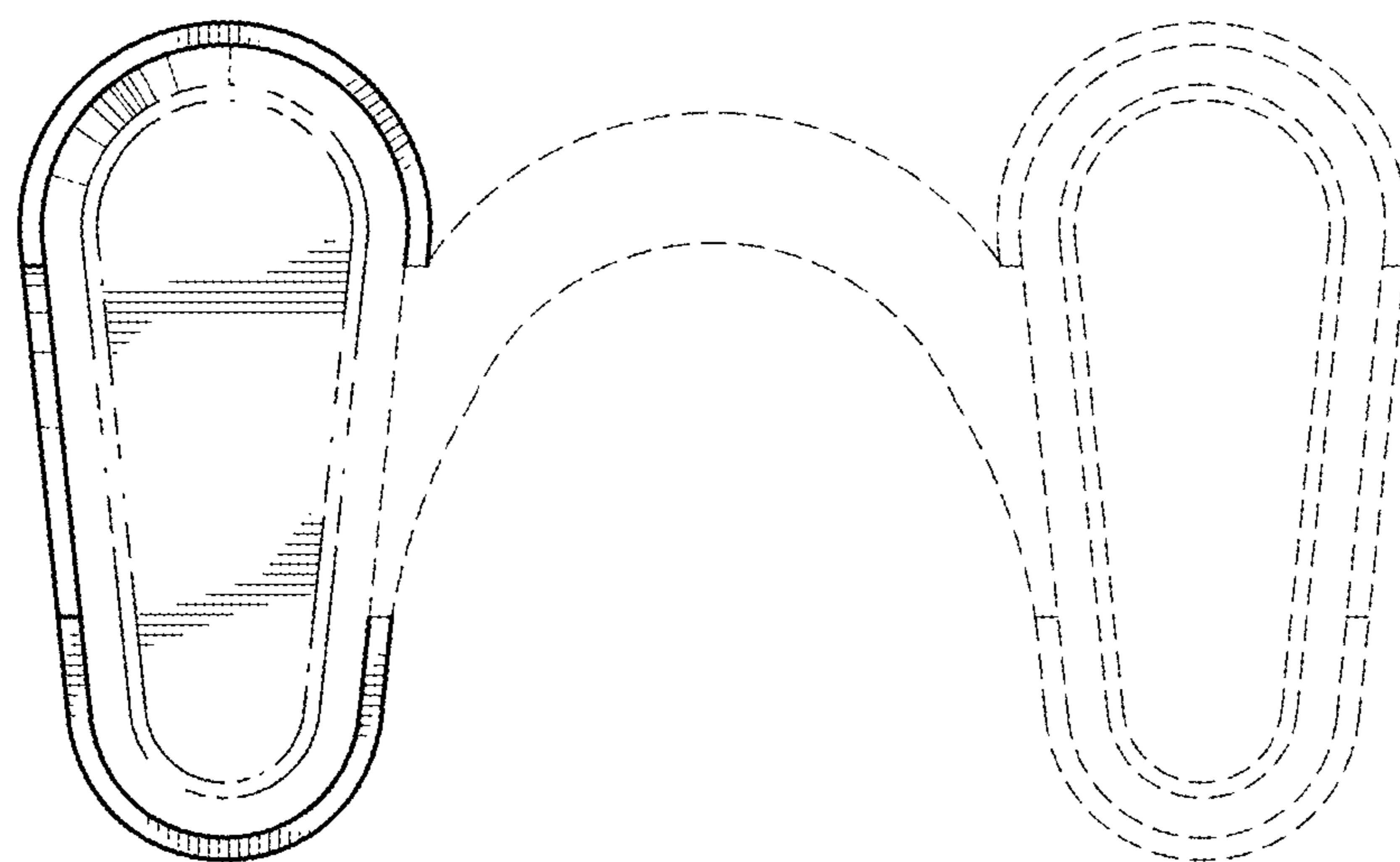


FIG. 7

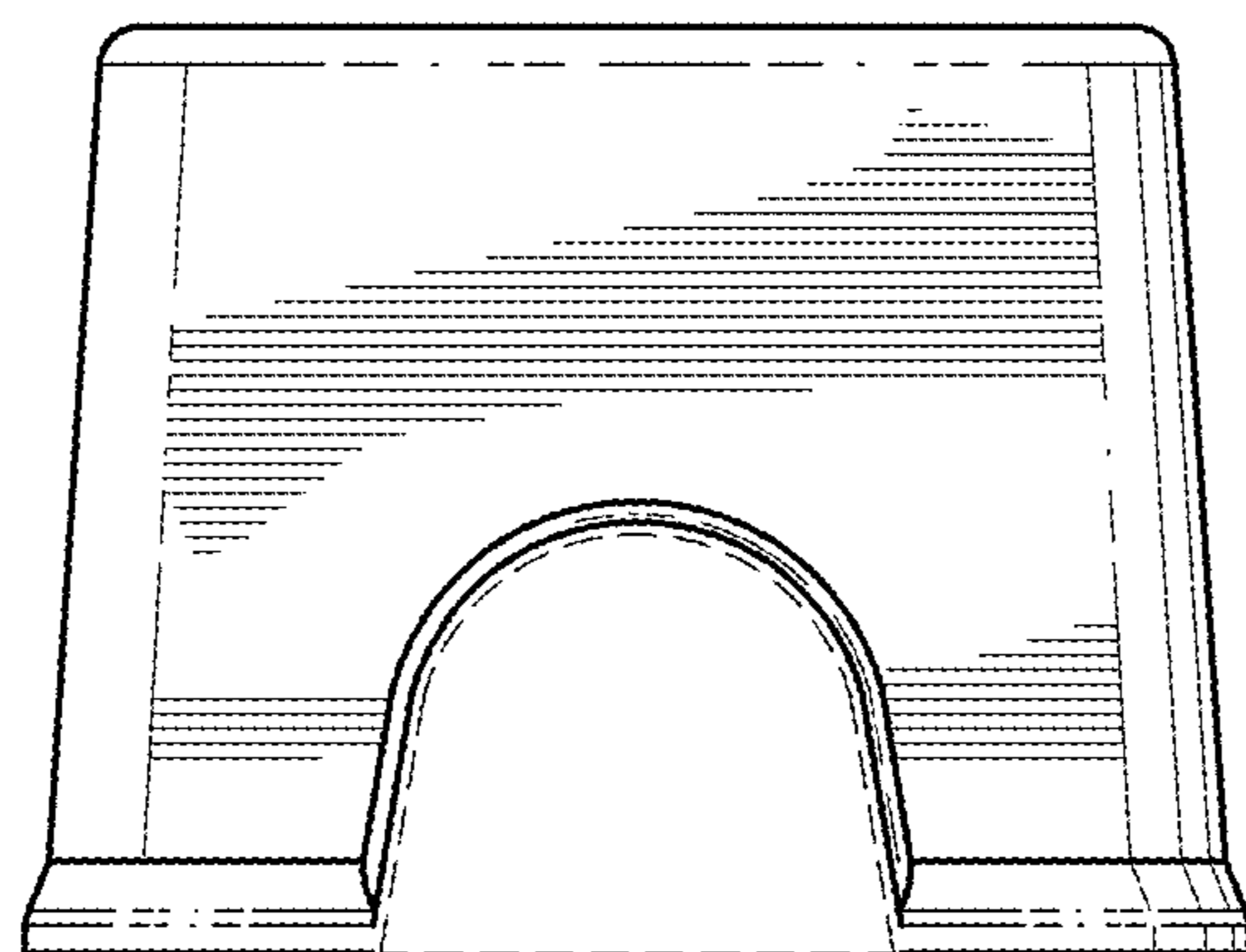


FIG. 8

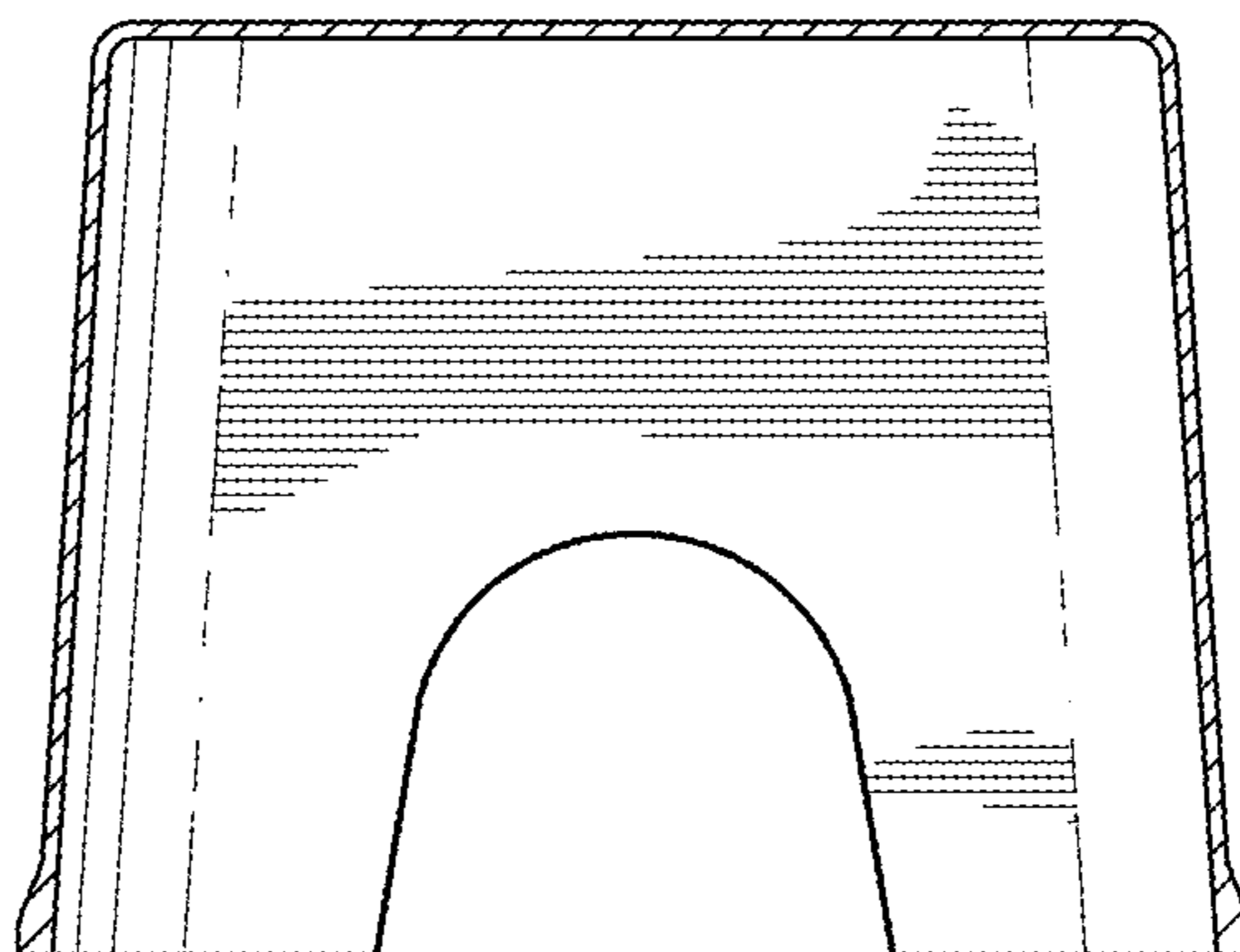


FIG. 9