



US00D801094S

(12) **United States Design Patent** (10) **Patent No.:** **US D801,094 S**
Verna (45) **Date of Patent:** **** Oct. 31, 2017**

- (54) **FURNITURE SHELF WITH FRONT ELEMENT**
- (71) Applicant: **Ricerche di Architettura Logica per Ambienti di Guido Sartoretto Verna—Società in nome collettivo, Rome (IT)**
- (72) Inventor: **Guido Sartoretto Verna, Rome (IT)**
- (73) Assignee: **Ricerche di Architettura Logica per Ambienti di Guido Sartoretto Verna—Società in nome collettivo, Rome (IT)**

- (**) Term: **15 Years**
- (21) Appl. No.: **29/542,698**
- (22) Filed: **Oct. 16, 2015**

(30) **Foreign Application Priority Data**

- Apr. 15, 2015 (EM) 002683094
- (51) **LOC (10) Cl.** **06-04**
- (52) **U.S. Cl.**
USPC **D6/705**
- (58) **Field of Classification Search**
USPC D6/672, 675, 675.1–675.4, 705, 705.1;
D7/571–572, 576–577, 600, 600.1–600.4;
D13/179; 108/61; D14/457; D25/119;
D26/51; 211/119.003; 312/350, 258
CPC A47B 73/00; A47B 73/002; A47B 73/004;
A47B 47/00; A47B 47/0058; A47B
47/008;

(Continued)

(56) **References Cited**

U.S. PATENT DOCUMENTS

- D250,621 S * 12/1978 Blum D6/672
- 4,325,597 A * 4/1982 Morrison A47B 47/04
108/61
- D292,954 S * 12/1987 Knight D6/672

(Continued)

Primary Examiner — Manpreet Matharu
Assistant Examiner — Keith Wilson
 (74) *Attorney, Agent, or Firm* — Workman Nydegger

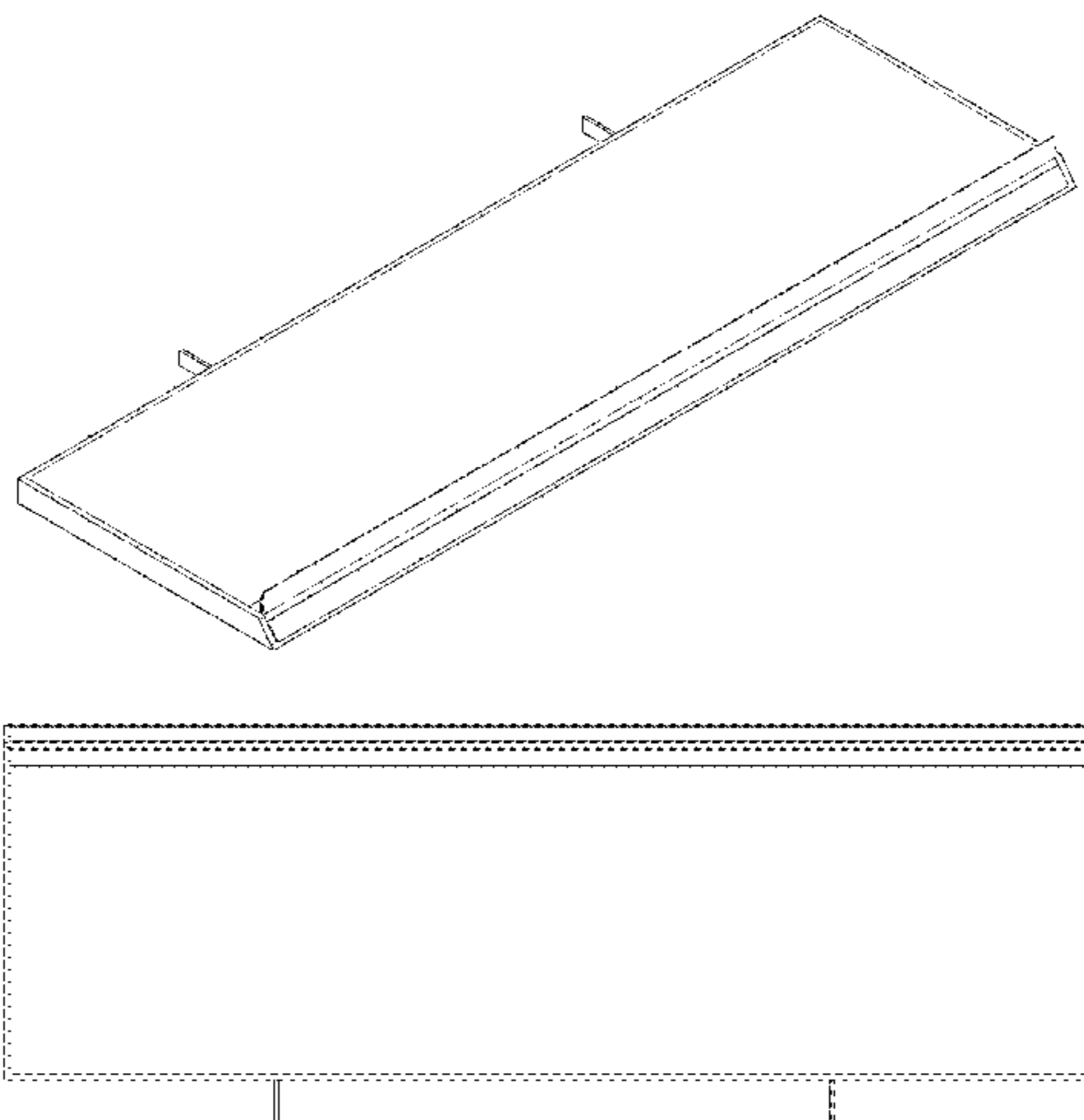
(57) **CLAIM**

The ornamental design for furniture shelf with front element, as shown and described.

DESCRIPTION

FIG. 1 is a top, left side perspective view of an assembled configuration of my new design for a furniture shelf with front element;
 FIG. 2 is an elevated front view thereof;
 FIG. 3 is an elevated rear view thereof;
 FIG. 4 is an elevated left side view thereof;
 FIG. 5 is an elevated right side view thereof;
 FIG. 6 is a top plan view thereof;
 FIG. 7 is a bottom plan view thereof;
 FIG. 8 is a top, left side perspective view of an unassembled configuration of the furniture shelf and the front element, as further seen in a typical use environment;
 FIG. 9 is an elevated front view thereof;
 FIG. 10 is an elevated back view thereof;
 FIG. 11 is an elevated left view thereof;
 FIG. 12 is an isolated, top, right right-side perspective view of the front element;
 FIG. 13 is a top plan view of the unassembled furniture shelf and front element; and,
 FIG. 14 is a bottom plan view thereof.
 The shelf and front element shown in an assembled configuration in FIGS. 1-7 are the same as shown in unassembled configuration in FIGS. 8-14. The dotted lines illustrate features of an exemplary use environment, and form no part of the claimed design. The alternating dash and dot lines in FIG. 12 illustrate the cross-sectional boundary lines from FIG. 8, form no part of the claimed design.

1 Claim, 9 Drawing Sheets



(58) **Field of Classification Search**

CPC A47B 47/25; A47F 5/00; A47F 5/0056;
A47F 5/0062; B65D 21/0211

See application file for complete search history.

(56) **References Cited**

U.S. PATENT DOCUMENTS

D345,268	S	*	3/1994	Pate	D25/119
D408,388	S	*	4/1999	Wiggins	D14/457
D510,220	S	*	10/2005	Sandy	D6/705
D521,286	S	*	5/2006	Colmenares	D26/51
D610,557	S	*	2/2010	Chen	D13/179
D659,110	S	*	5/2012	Chen	D13/179
D662,341	S	*	6/2012	Sanders	D6/705
D688,905	S	*	9/2013	Stravitz	D6/705
D694,046	S	*	11/2013	Walter	D6/705
D701,408	S	*	3/2014	Mason	D6/705.7
D707,067	S	*	6/2014	Basarich	D6/705
D726,462	S	*	4/2015	Normand	D6/705
D743,191	S	*	11/2015	Clark	D6/675
2002/0170870	A1	*	11/2002	Callis	A47B 96/02 211/119.003
2011/0291540	A1	*	12/2011	Davidson	A47B 96/021 312/350

* cited by examiner

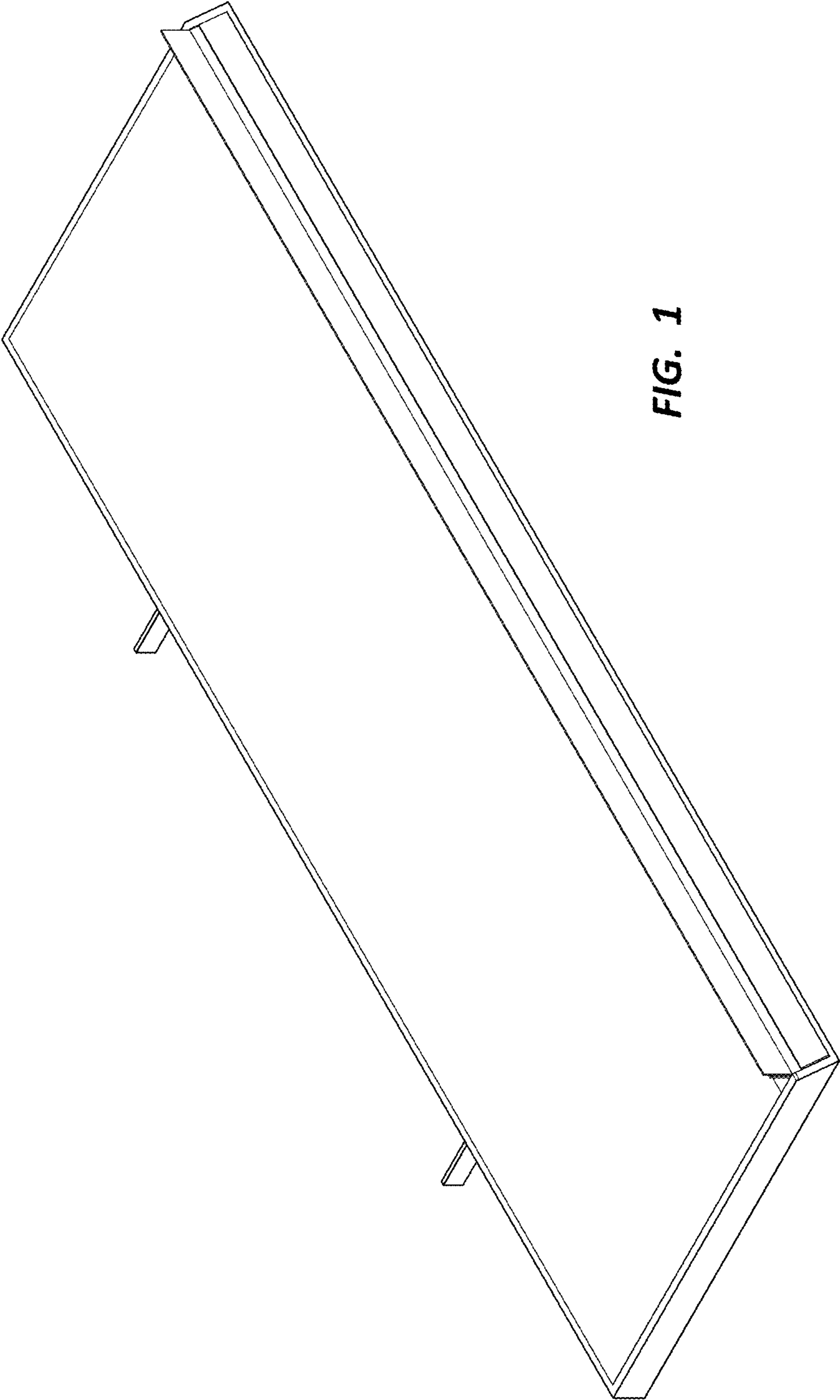


FIG. 1

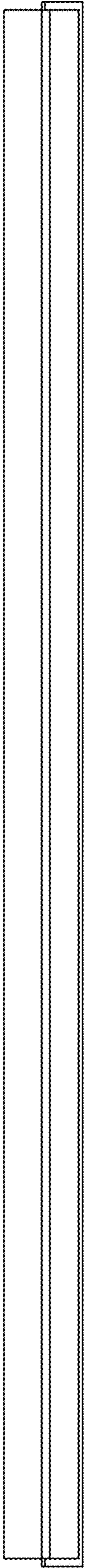


FIG. 2

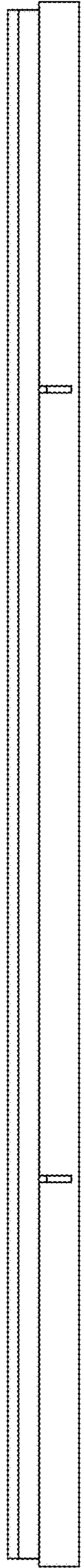


FIG. 3



FIG. 4

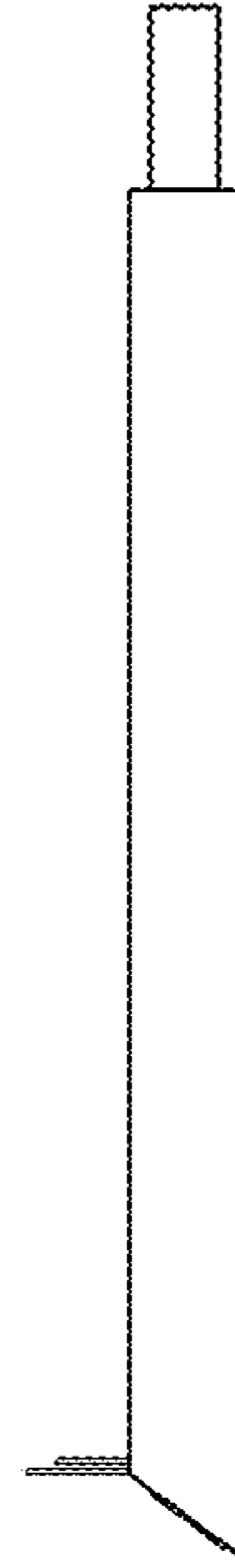


FIG. 5

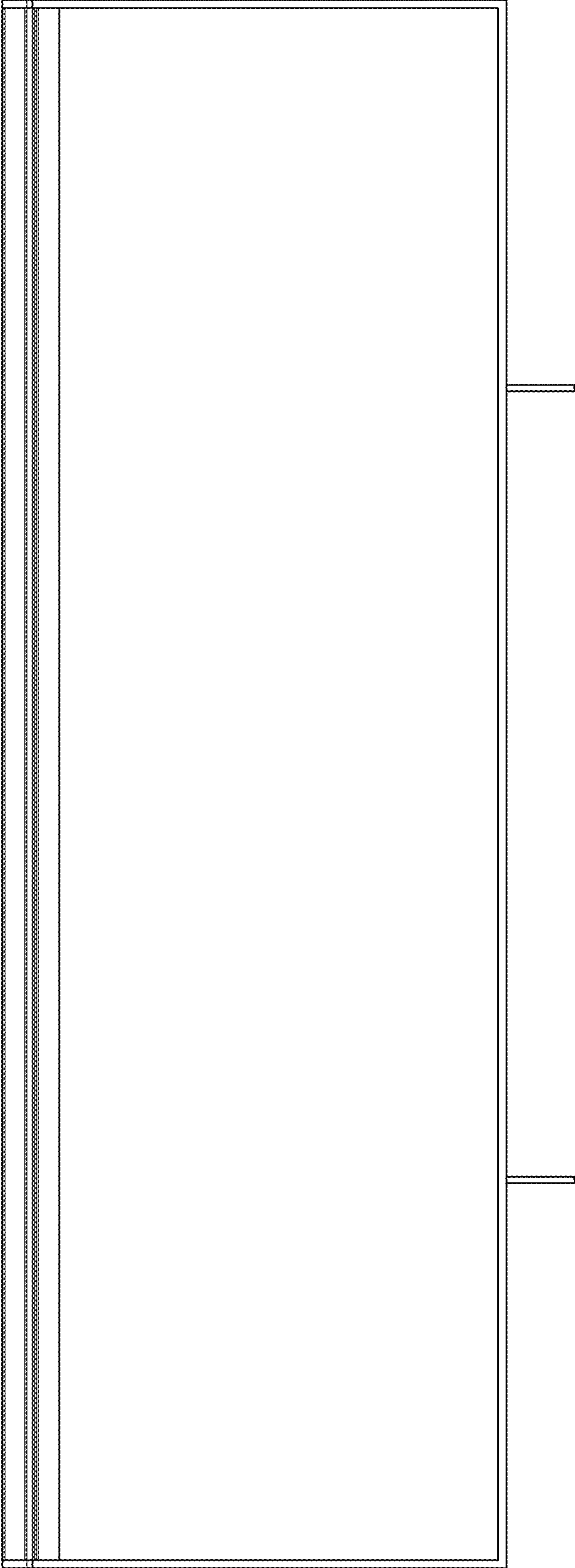


FIG. 6

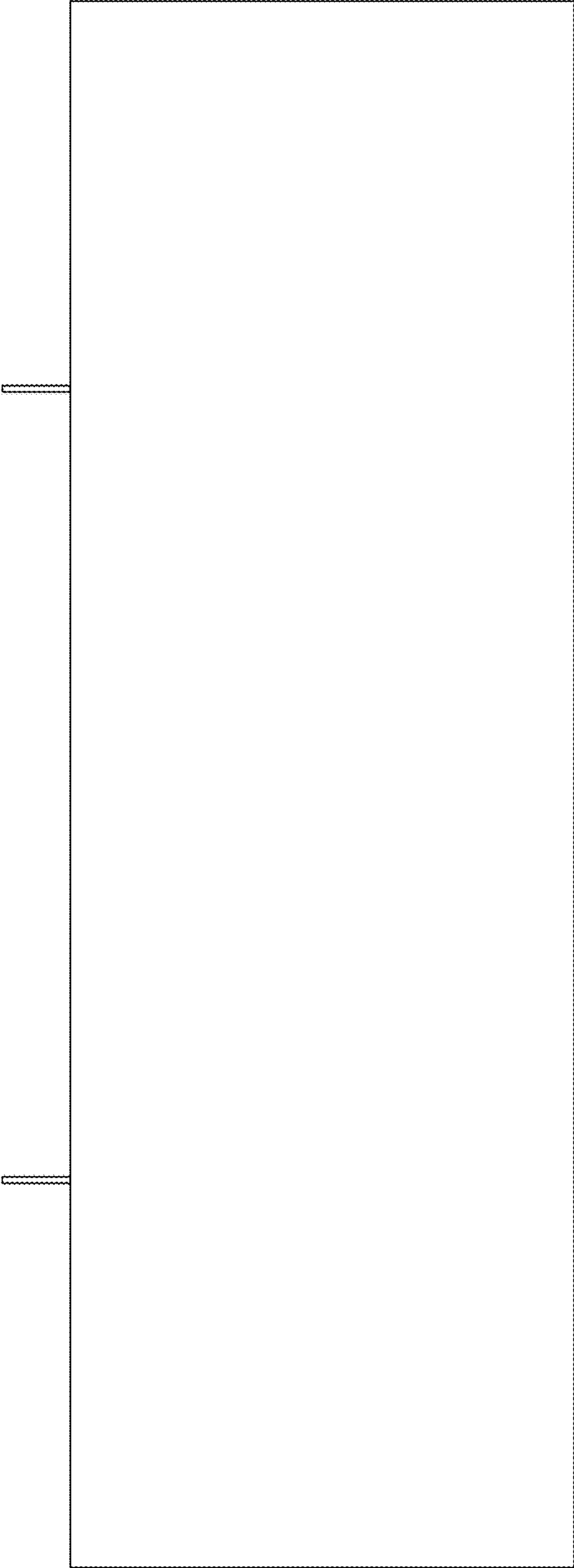


FIG. 7

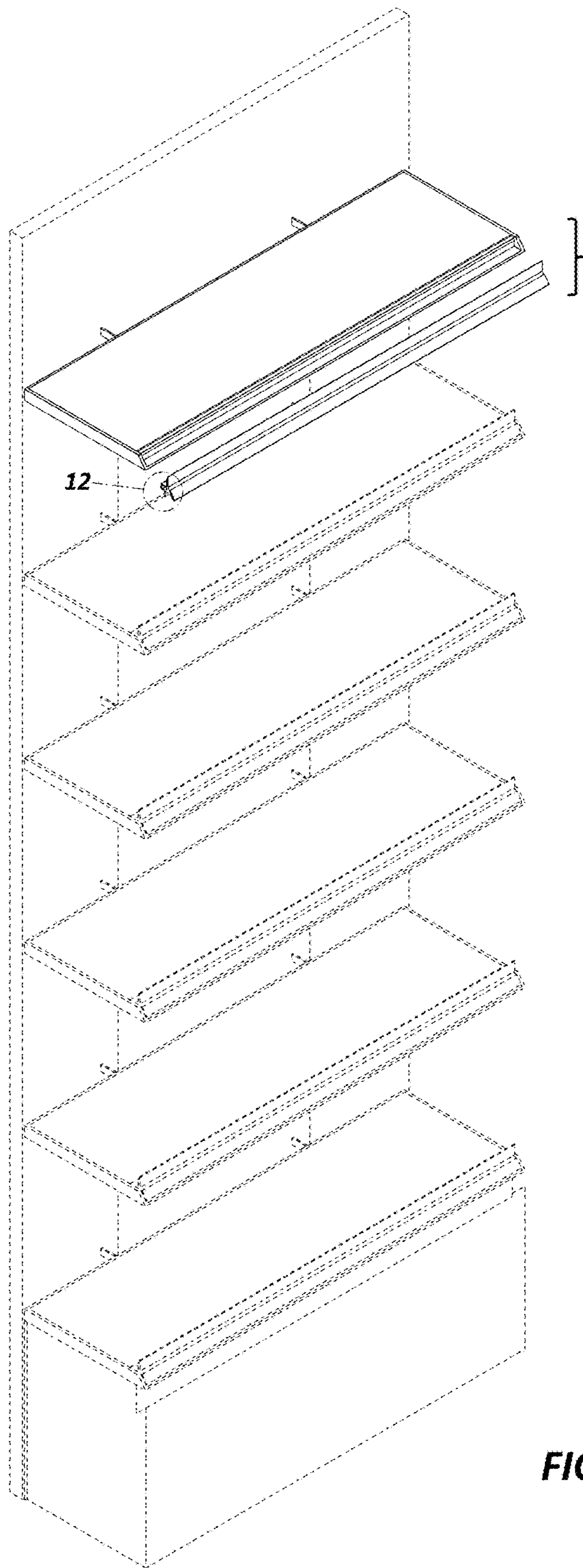


FIG. 8

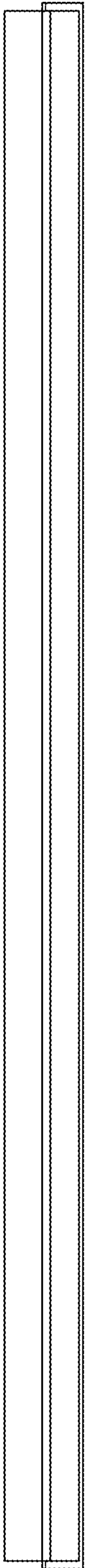


FIG. 9

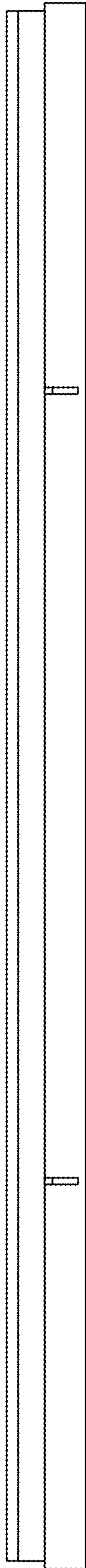


FIG. 10

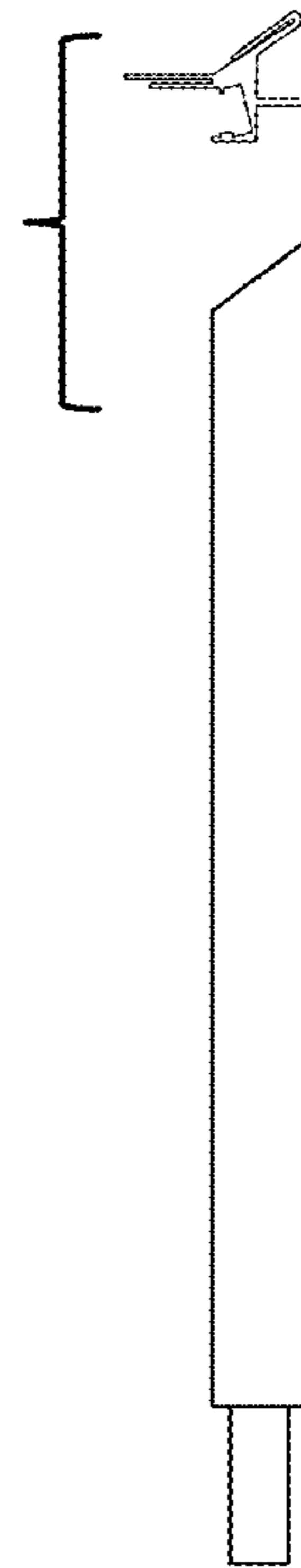


FIG. 11

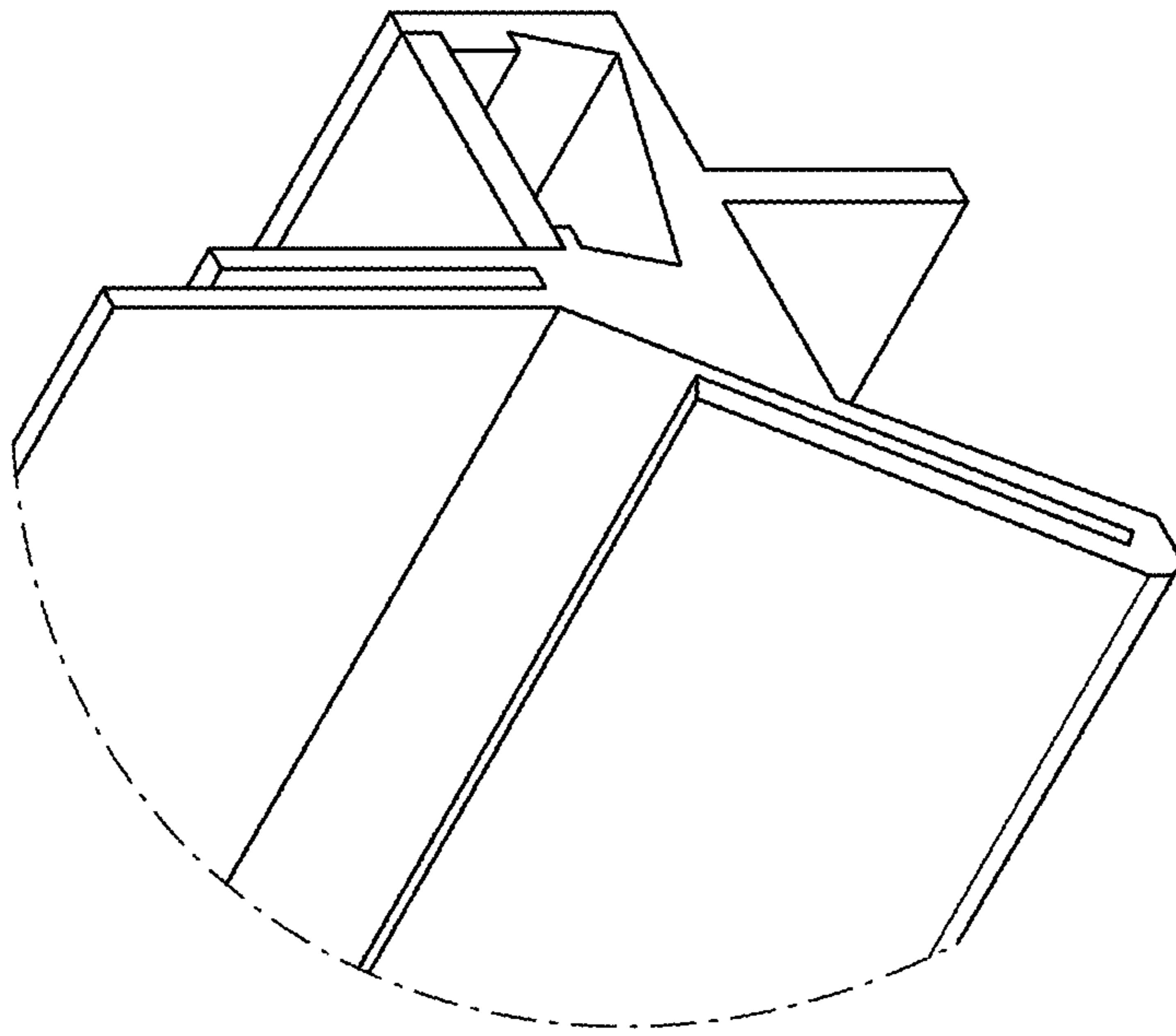


FIG. 12

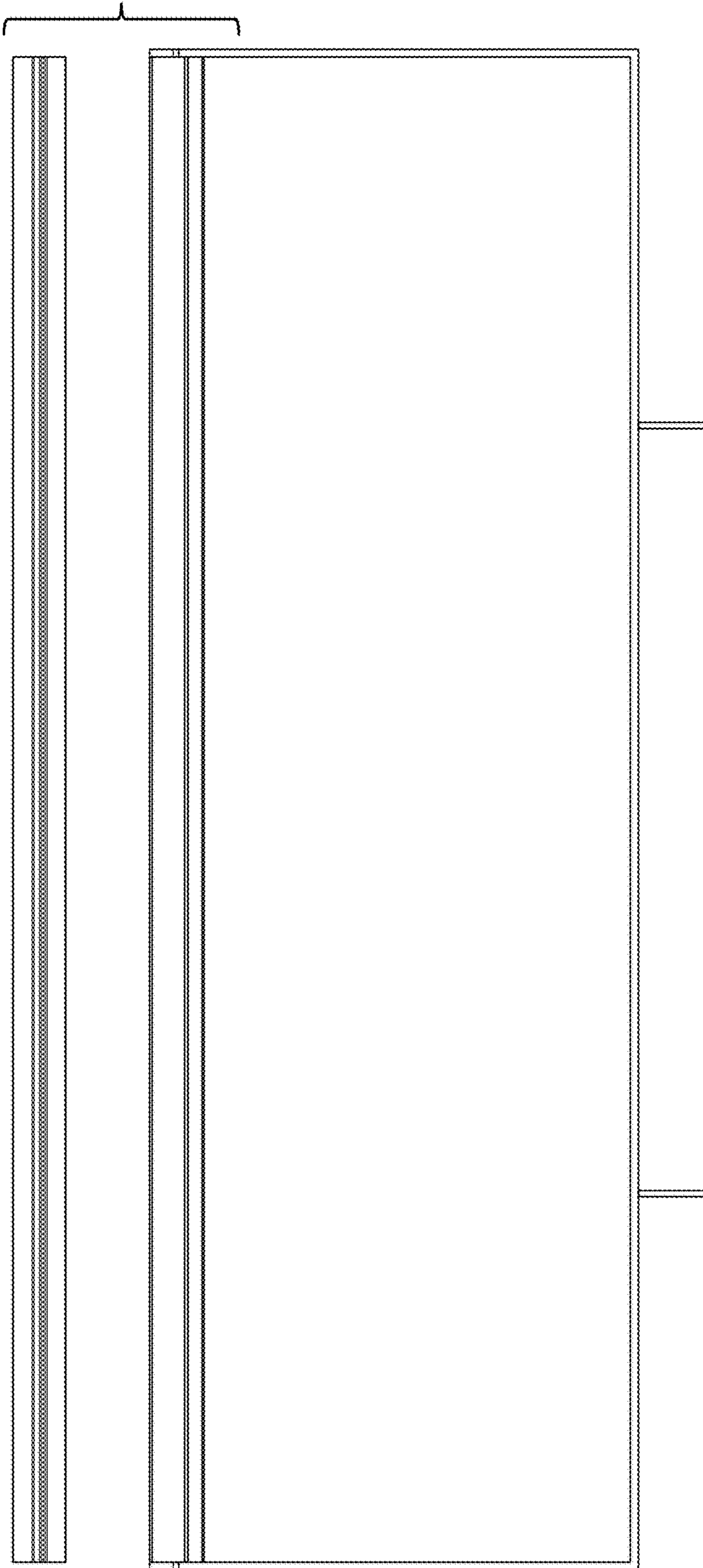


FIG. 13

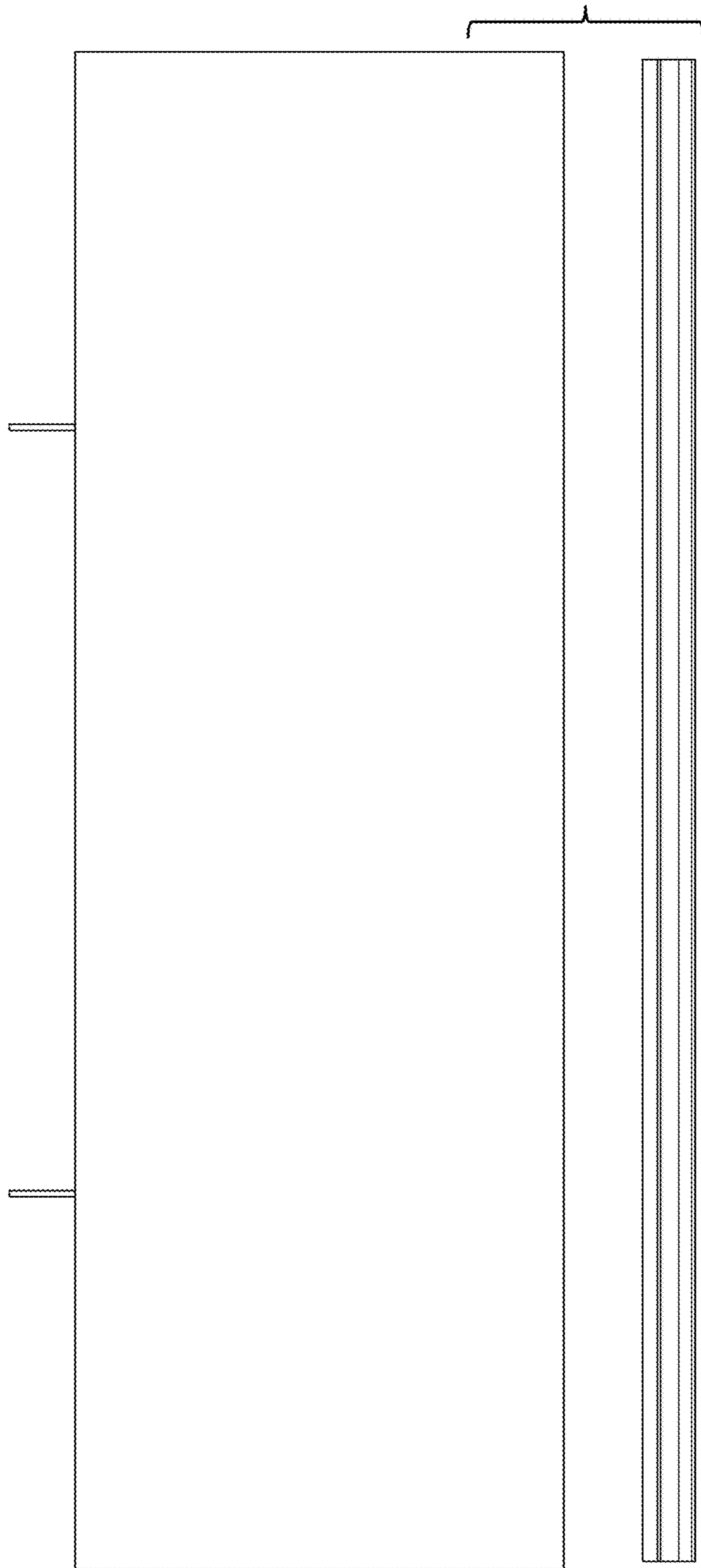


FIG. 14

UNITED STATES PATENT AND TRADEMARK OFFICE
CERTIFICATE OF CORRECTION

PATENT NO. : D801,094 S
APPLICATION NO. : 29/542698
DATED : October 31, 2017
INVENTOR(S) : Guido Sartoretto Verna

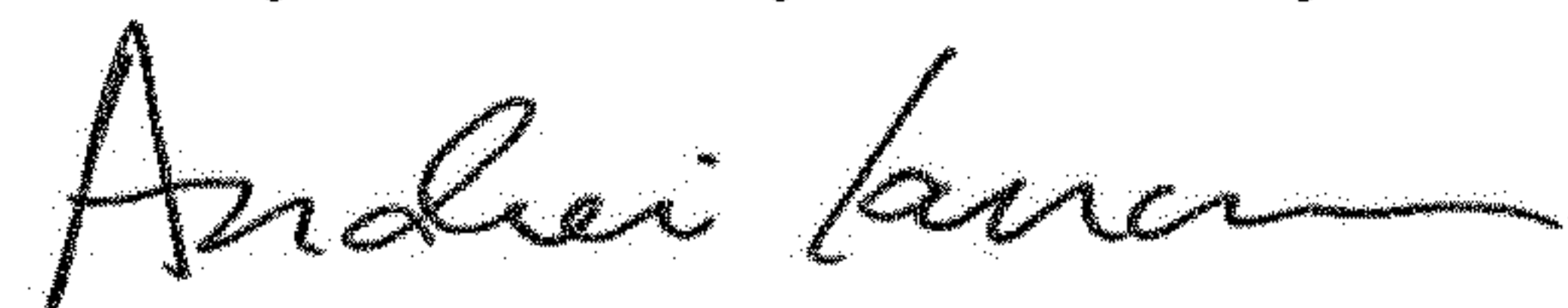
Page 1 of 1

It is certified that error appears in the above-identified patent and that said Letters Patent is hereby corrected as shown below:

On the Title Page

Item (30), Foreign Application Priority Data, change "April 15, 2015" to -April 16, 2015-

Signed and Sealed this
Twenty-ninth Day of January, 2019



Andrei Iancu
Director of the United States Patent and Trademark Office