



US00D801092S

(12) **United States Design Patent** (10) **Patent No.:** **US D801,092 S**
Merritt (45) **Date of Patent:** **** Oct. 31, 2017**

(54) **TABLE**
(71) Applicant: **Liberty Procurement Co. Inc.**, Union, NJ (US)
(72) Inventor: **John Merritt**, Brooklyn, NY (US)
(73) Assignee: **Liberty Procurement Co. Inc.**, Union, NJ (US)
(**) Term: **15 Years**
(21) Appl. No.: **29/580,861**
(22) Filed: **Oct. 13, 2016**

Related U.S. Application Data

(62) Division of application No. 29/527,681, filed on May 21, 2015.
(51) **LOC (10) Cl.** **06-03**
(52) **U.S. Cl.**
USPC **D6/691**
(58) **Field of Classification Search**
USPC D6/334-336, 349, 351, 352, 358, 360, D6/364, 365, 366, 374, 375, 379, 380, D6/611, 657, 662.1, 672, 674, 675, 675.1, D6/675.3, 683, 683.1, 685, 691, 691.5, D6/702, 708, 708.2, 708.21, 708.25, 716, D6/716.1-716.4; D3/304, 307, 309
CPC A47C 1/143; A47C 31/00; A47C 31/11; A47C 31/08; A47C 31/10; A47C 31/105; A47C 31/113; A47C 31/116; A47C 4/28; A47C 4/283; A47C 4/286; A47C 4/30; A47C 4/32; A47C 4/34; A47C 4/36; A47C 4/38; A47C 4/40; A47C 4/42; A47C 4/44; A47C 4/46; A47C 4/48; A47C 4/50; A47C 4/54; A47C 5/00; A47C 5/005; A47C 5/02; A47C 7/02; A47C 7/36; A47C 7/50; A47C 7/54; A47C 7/62; A47C 7/66; A47C 7/425; A47C 17/00; A47C 17/045; A47C 17/22; A47C 17/86; A47C 19/205; A47C 21/00; A47C 21/022; A47C 21/026; A47C

21/028; A47C 21/042; A47C 27/001; A47C 27/002; A47C 27/003; A47C 27/005; A47C 27/006; A47C 27/007; A47C 27/008; A47C
(Continued)

(56) **References Cited**

U.S. PATENT DOCUMENTS

3,742,869 A * 7/1973 Polsky A47B 87/002 108/64
3,869,993 A 3/1975 Edlund
(Continued)

OTHER PUBLICATIONS

“Mylon Table” Jan. 13, 2014, team7-spezialstudio.at, site visited Jan. 5, 2017 <<http://www.team7-spezialstudio.at/en/diningroom/tables/mylon>>.*
(Continued)

Primary Examiner — Kevin Rudzinski
Assistant Examiner — Paul Bohannon
(74) *Attorney, Agent, or Firm* — Lerner, David, Littenberg, Krumholz & Mentlik, LLP

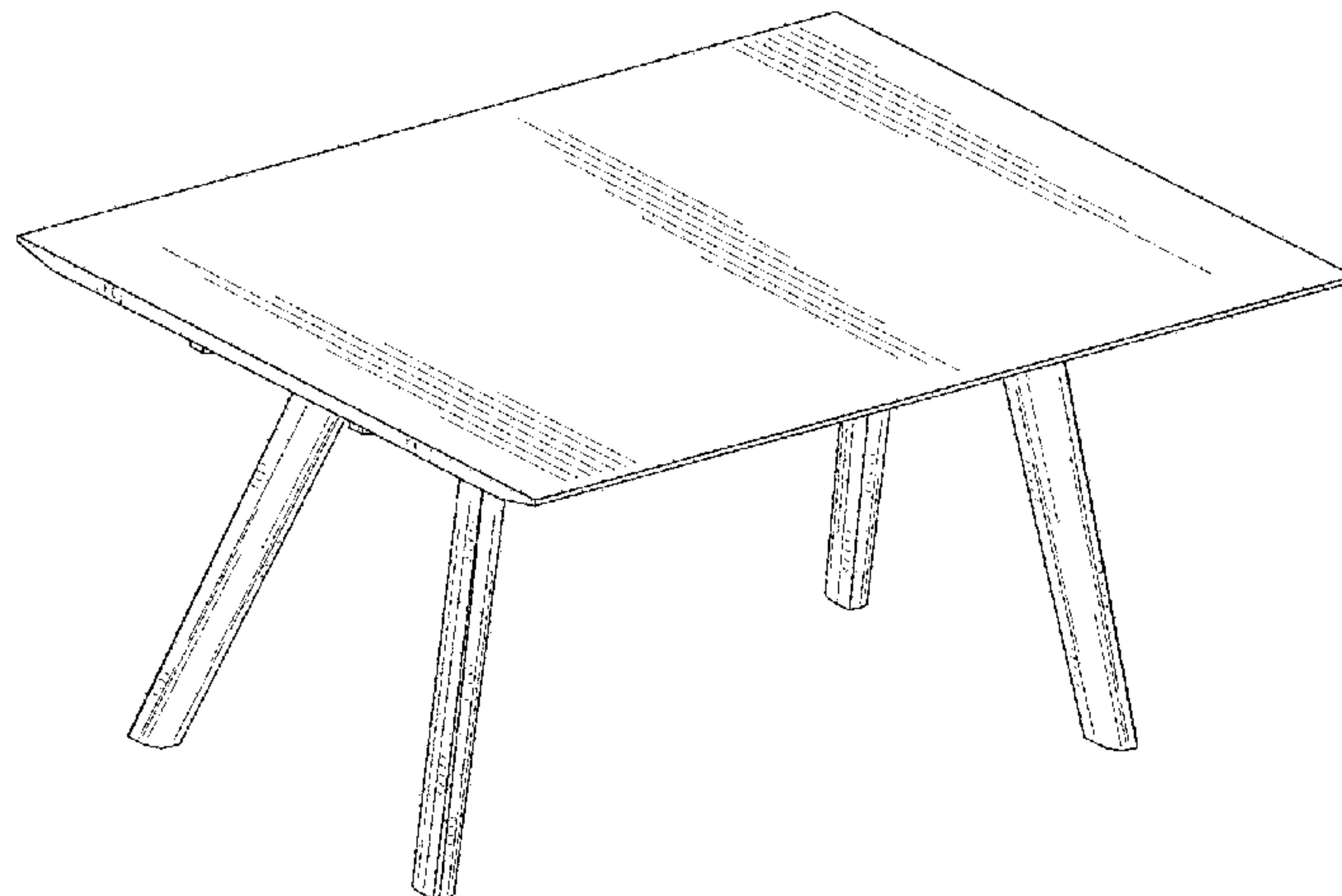
(57) **CLAIM**

The ornamental design for a table, as shown and described.

DESCRIPTION

FIG. 1 is a perspective view of the design of my table; FIG. 2 is a right-side view thereof; FIG. 3 is a left-side view thereof; FIG. 4 is a front view thereof; FIG. 5 is a back view thereof; FIG. 6 is a top plan view thereof; and, FIG. 7 is a bottom view thereof. The broken lines shown in the drawings represent portions of the table that form no part of the claimed design.

1 Claim, 6 Drawing Sheets



US D801,092 S

Page 2

(58) **Field of Classification Search**

CPC 27/05; A47C 27/053; A47C 27/056; A47C
27/067; A47C 3/16; A47D 1/00; B60N
2/60; B60N 2/2881; B60N 2/6018; B60N
2/6036

See application file for complete search history.

(56) **References Cited**

U.S. PATENT DOCUMENTS

4,705,250 A * 11/1987 Eastman A47B 3/02
248/164
4,841,878 A * 6/1989 Kriegsman A47B 13/12
108/62
5,356,204 A * 10/1994 McDonough A47D 1/006
297/181
5,435,254 A 7/1995 Amey et al.
D362,983 S * 10/1995 Magnusson D6/692
5,513,578 A * 5/1996 Tordsen A47B 1/04
108/147.19
5,678,491 A 10/1997 Price et al.
6,536,357 B1 3/2003 Hiestand
7,147,083 B1 12/2006 Colgrove
D585,218 S * 1/2009 Hamilton D6/656
D718,558 S * 12/2014 Chipman D6/692.3
9,215,923 B1 12/2015 Boone

9,504,317 B1 * 11/2016 Lo A47B 21/06
9,526,328 B2 12/2016 Illulian
2004/0006944 A1 1/2004 Miyamoto
2005/0060891 A1 3/2005 Anderson
2006/0096506 A1 * 5/2006 Brauning A47B 13/02
108/50.02
2006/0162626 A1 * 7/2006 Brauning A47B 1/08
108/143
2013/0216770 A1 8/2013 Gilbertson et al.
2013/0344303 A1 * 12/2013 Randall A47B 85/06
428/201
2015/0150370 A1 * 6/2015 Korb A47B 13/06
108/155
2016/0192771 A1 7/2016 Hoff

OTHER PUBLICATIONS

“Reverse Beveled Row Edge Boat Shape Conference Table” Feb.
25, 2013, Giovanni Furniture, site visited Jan. 10, 2017 <<http://www.giovanifurniture.com/conference-tables.html>>.*

“Mid-Century Modern Table Making Made Easy” May 2, 2013,
tablelegs.com, site visited Jan. 24, 2017 <<https://www.tablelegs.com/resources-how-tos/mid-century-modern-table-making-made-easy/>>.

* cited by examiner

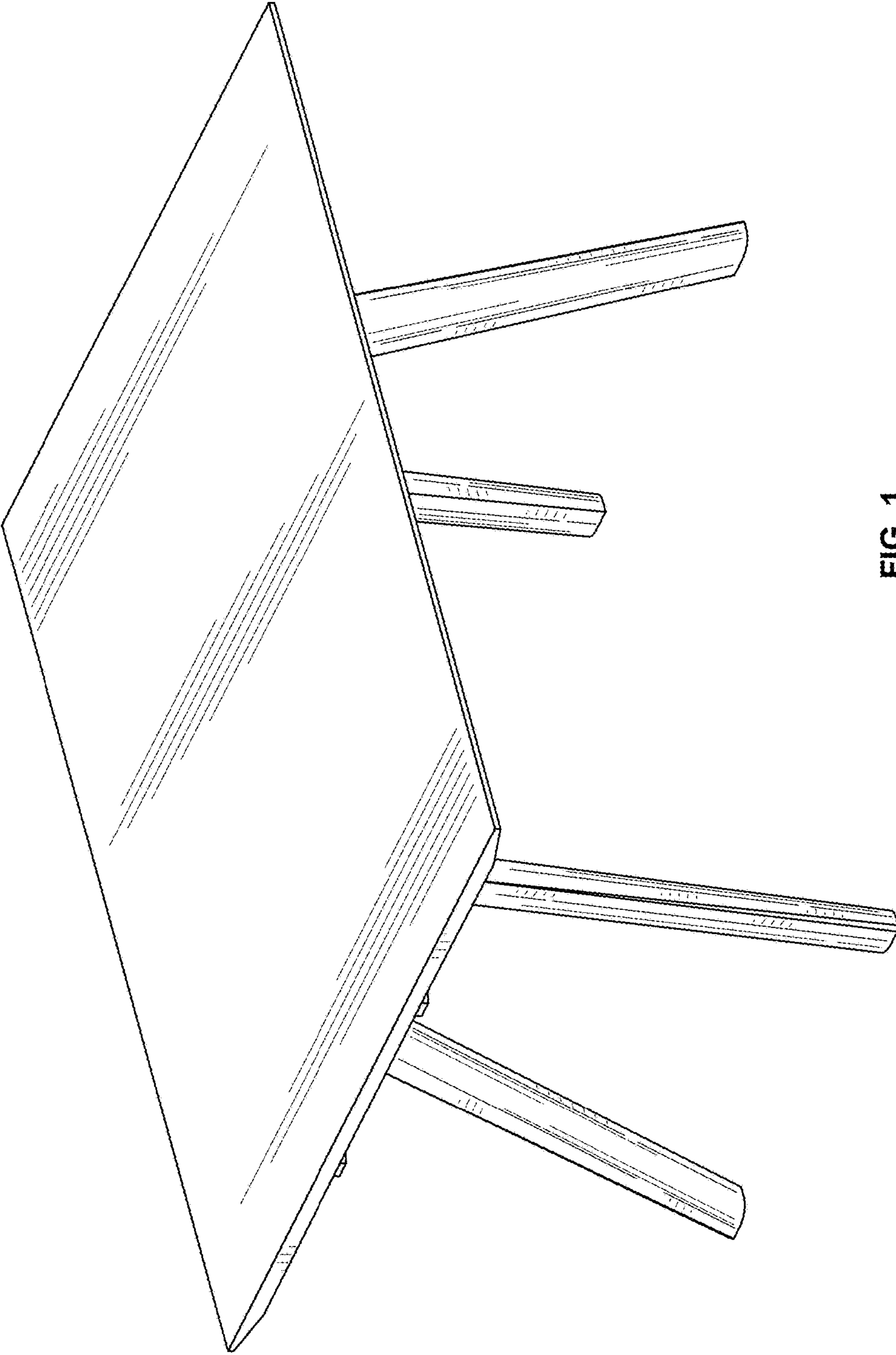


FIG. 1

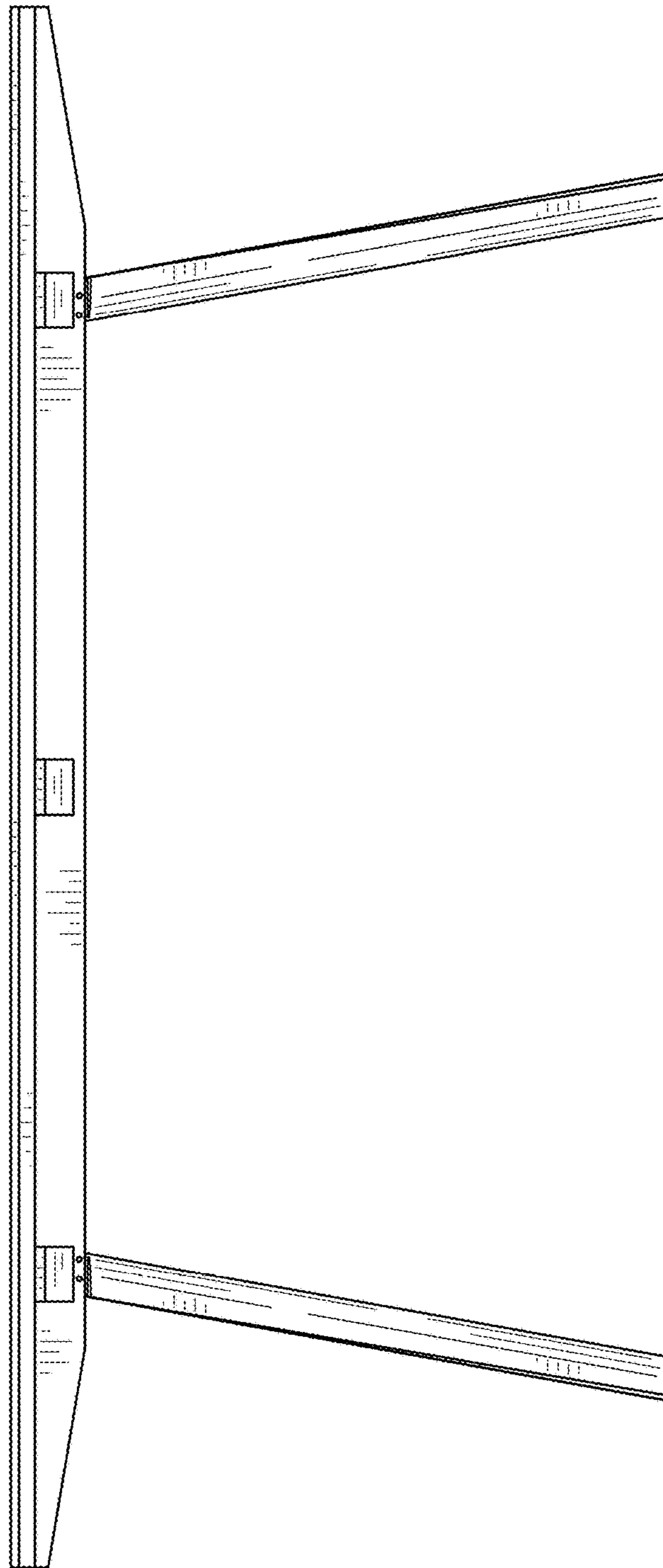


FIG. 2

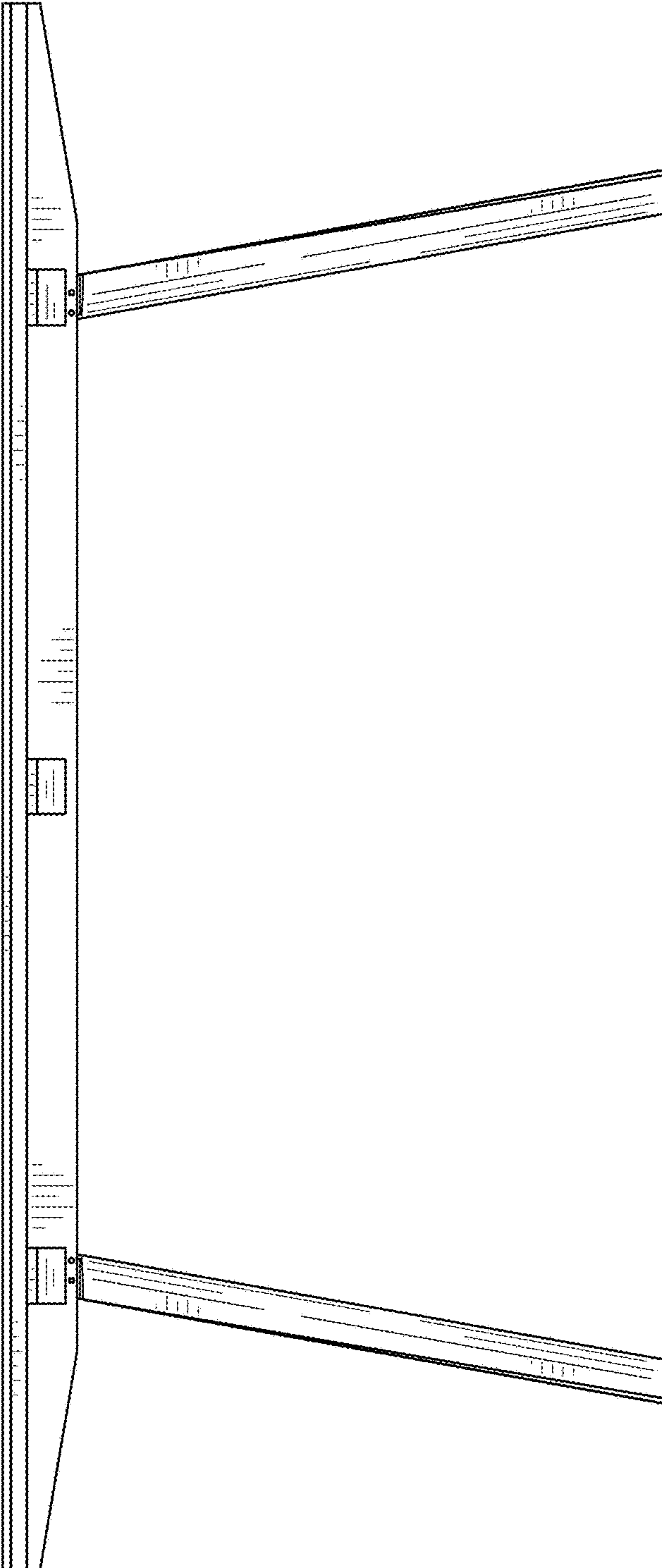


FIG. 3

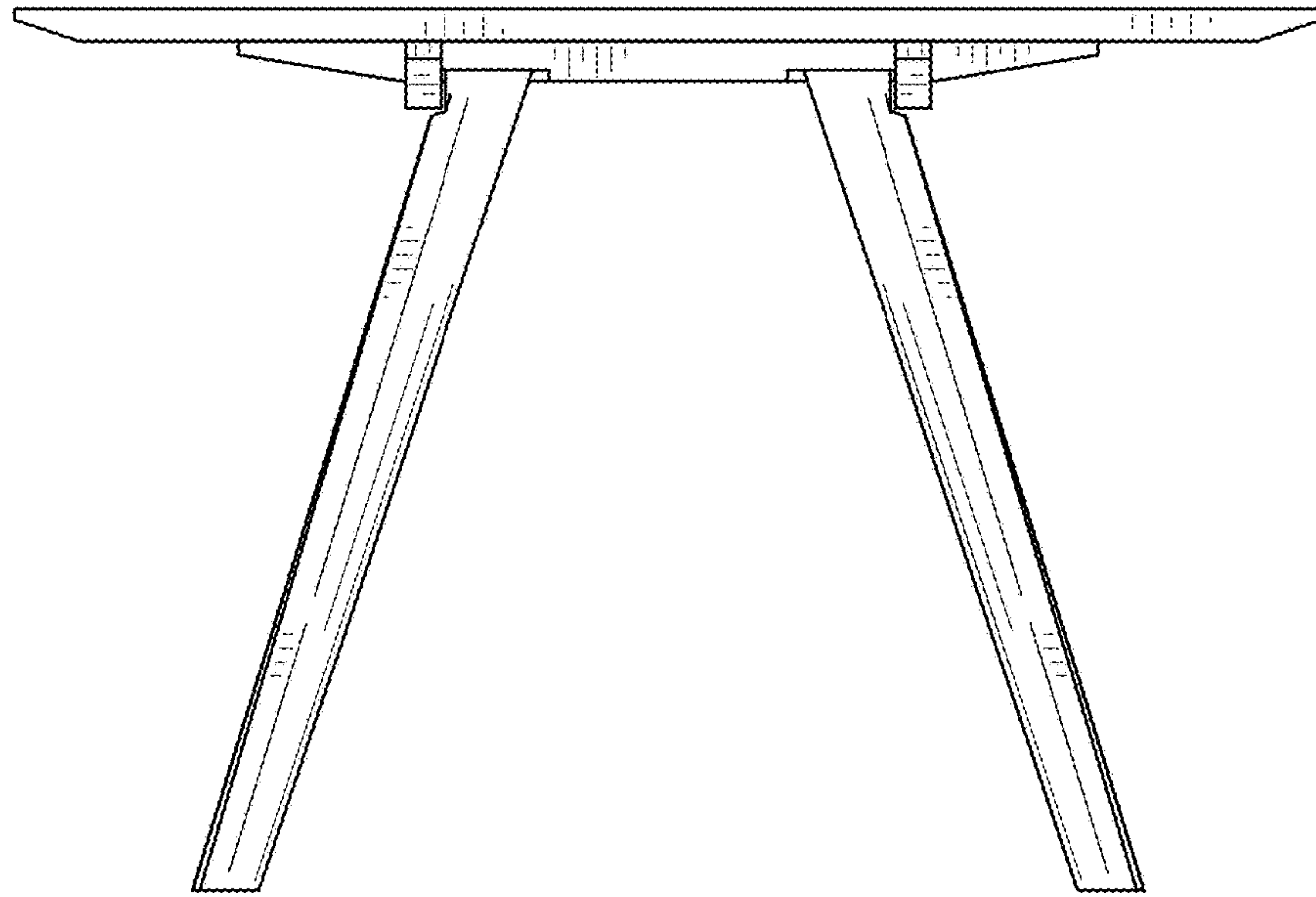


FIG. 4

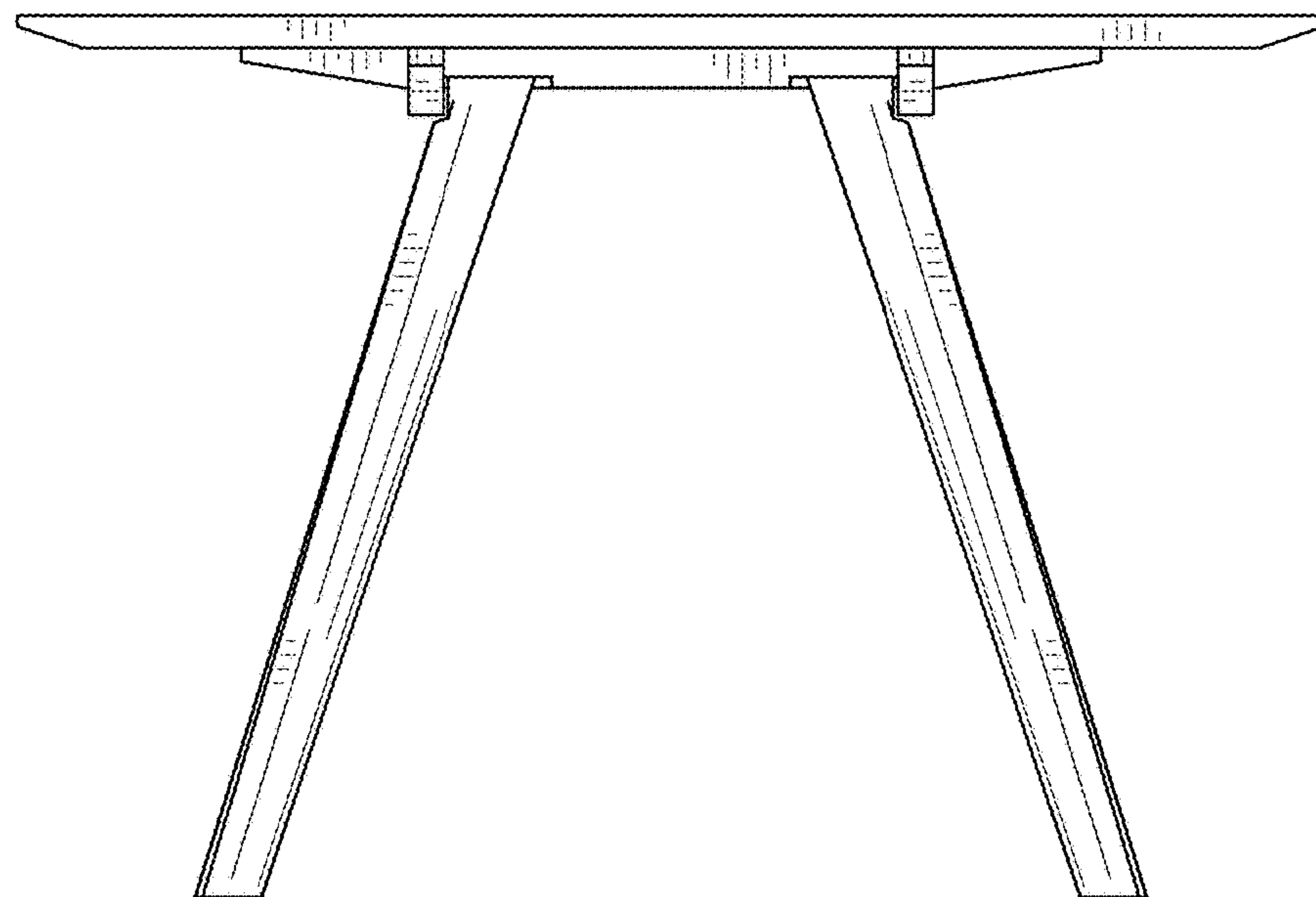


FIG. 5

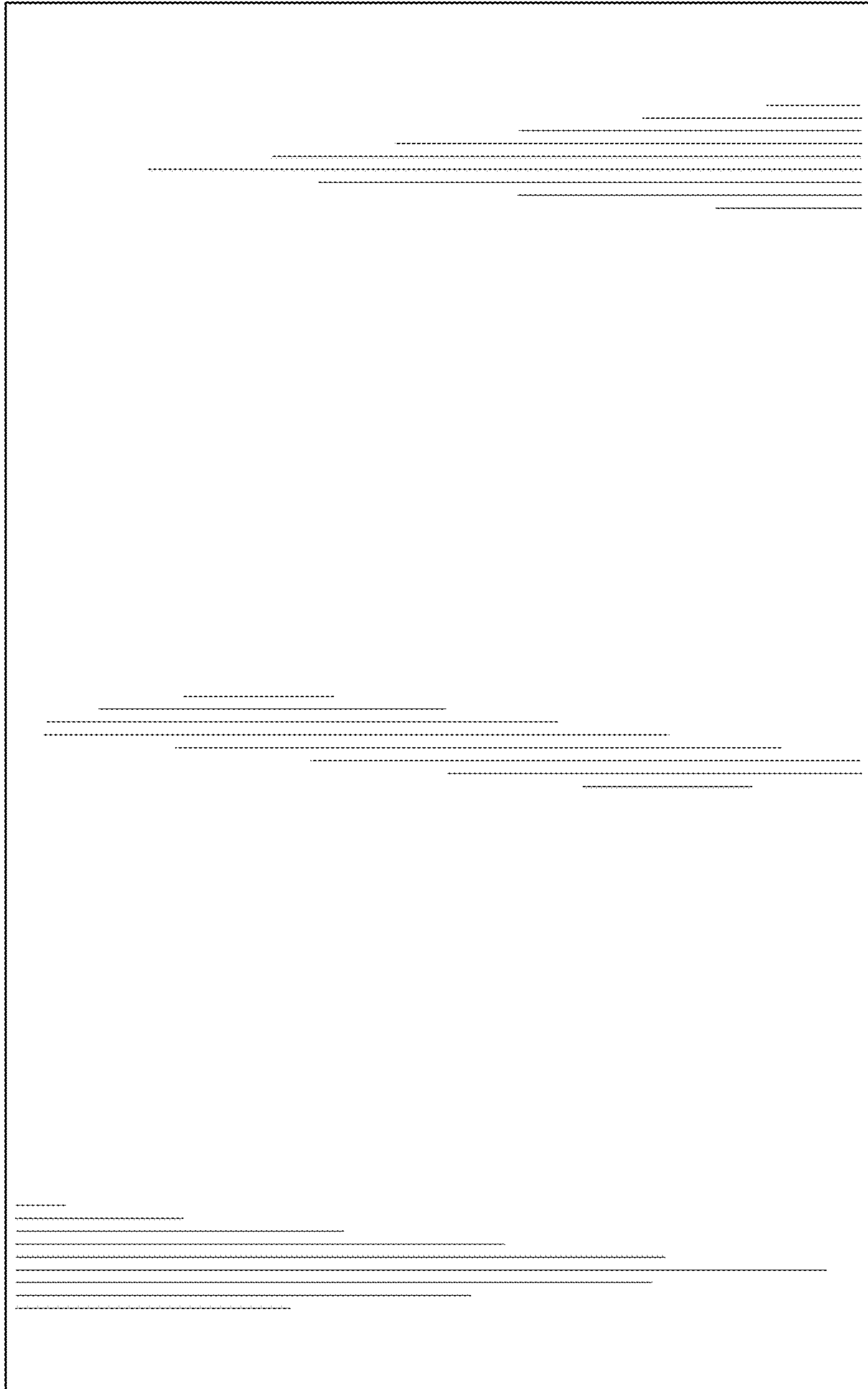


FIG. 6

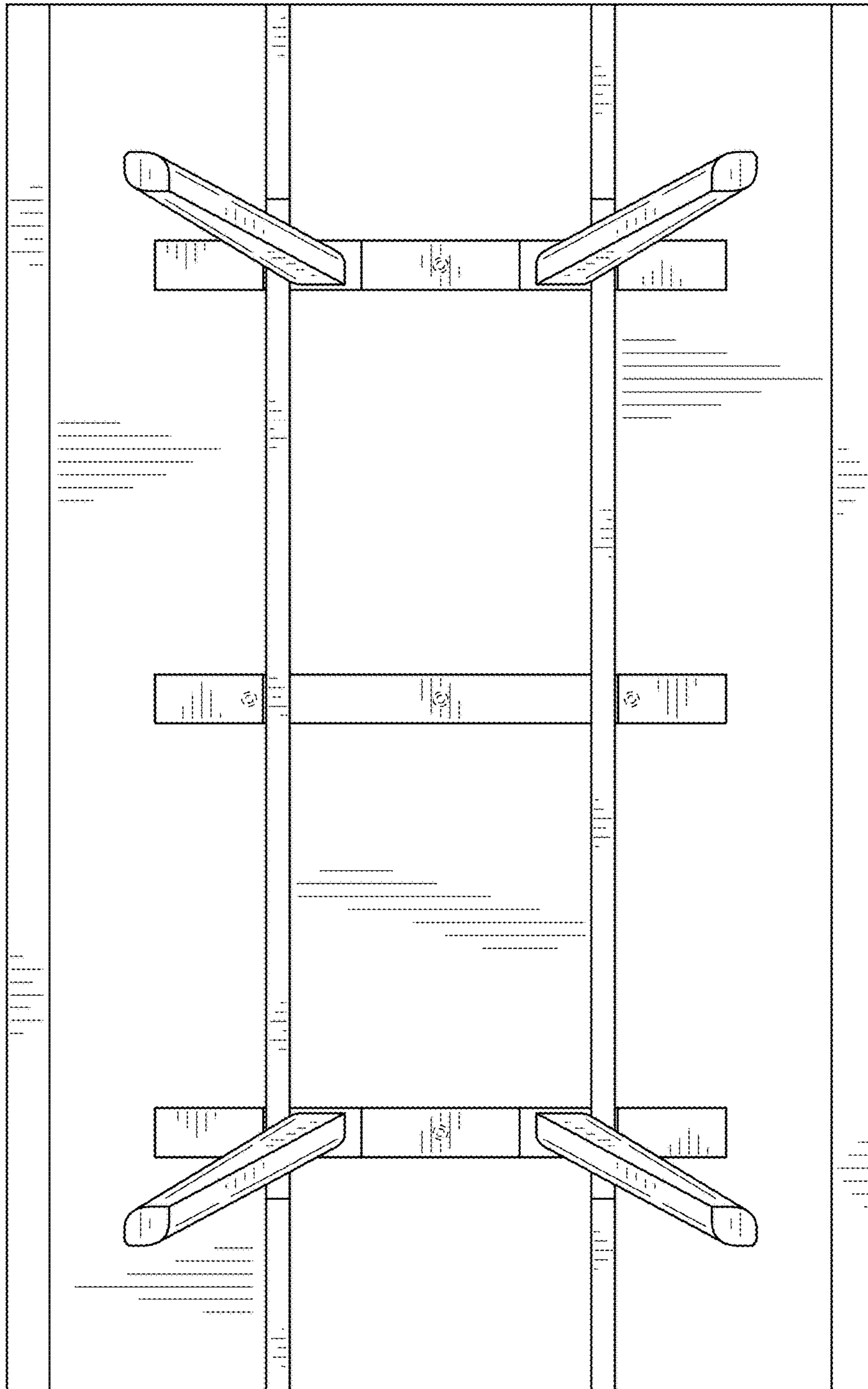


FIG. 7