



US00D801091S

(12) **United States Design Patent** (10) **Patent No.:** **US D801,091 S**
Elledge (45) **Date of Patent:** **** Oct. 31, 2017**

(54) **GOLF TEE STAND**
(71) Applicant: **AZ Golf LLC**, Scottsdale, AZ (US)
(72) Inventor: **Mark Elledge**, Scottsdale, AZ (US)
(73) Assignee: **AZ Golf LLC**, Scottsdale, AZ (US)
(**) Term: **15 Years**
(21) Appl. No.: **29/575,375**
(22) Filed: **Aug. 24, 2016**
(51) **LOC (10) Cl.** **06-06**
(52) **U.S. Cl.**
USPC **D6/682**
(58) **Field of Classification Search**
USPC D6/672, 673, 675, 675.1, 682, 682.1,
D6/682.2, 552; D21/698, 715, 717, 796
CPC A47F 7/00; A47F 7/0021; A47F 7/0028;
A47F 5/04
See application file for complete search history.

D580,192 S * 11/2008 Sparkowski D6/675.2
D641,184 S * 7/2011 Chen D6/675.3
D659,788 S * 5/2012 Vannostran D21/796
D707,209 S * 6/2014 Ranaletta D14/239
D761,600 S * 7/2016 Hsu D6/678.1

* cited by examiner

Primary Examiner — Kelley Donnelly
(74) *Attorney, Agent, or Firm* — David G. Woodral;
Gable Gotwals

(57) **CLAIM**

The ornamental design for a golf tee stand, as shown and described.

DESCRIPTION

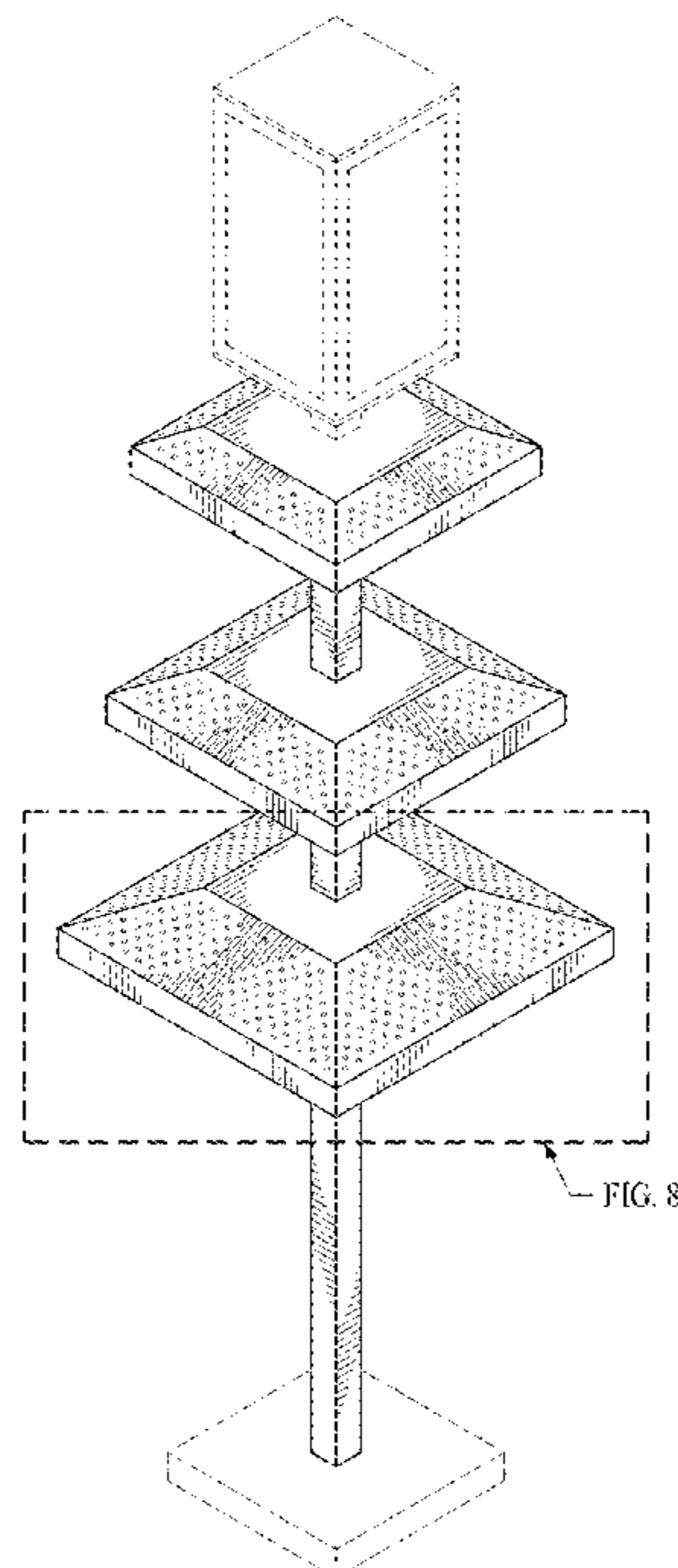
FIG. 1 is a perspective view of the golf tee stand according to the present disclosure.
FIG. 2 is a front elevation view of the golf tee stand according to the present disclosure.
FIG. 3 is a rear elevation view of the golf tee stand according to the present disclosure.
FIG. 4 is a right side elevation view of the golf tee stand according to the present disclosure.
FIG. 5 is a left side elevation view of the golf tee stand according to the present disclosure.
FIG. 6 is a superior plan view of the golf tee stand according to the present disclosure.
FIG. 7 is an inferior plan view of the golf tee stand according to the present disclosure.
FIG. 8 is a close-up perspective view of the inset denoted in FIG. 1; and,
FIG. 9 is a close-up perspective view of the inset denoted in FIG. 2.

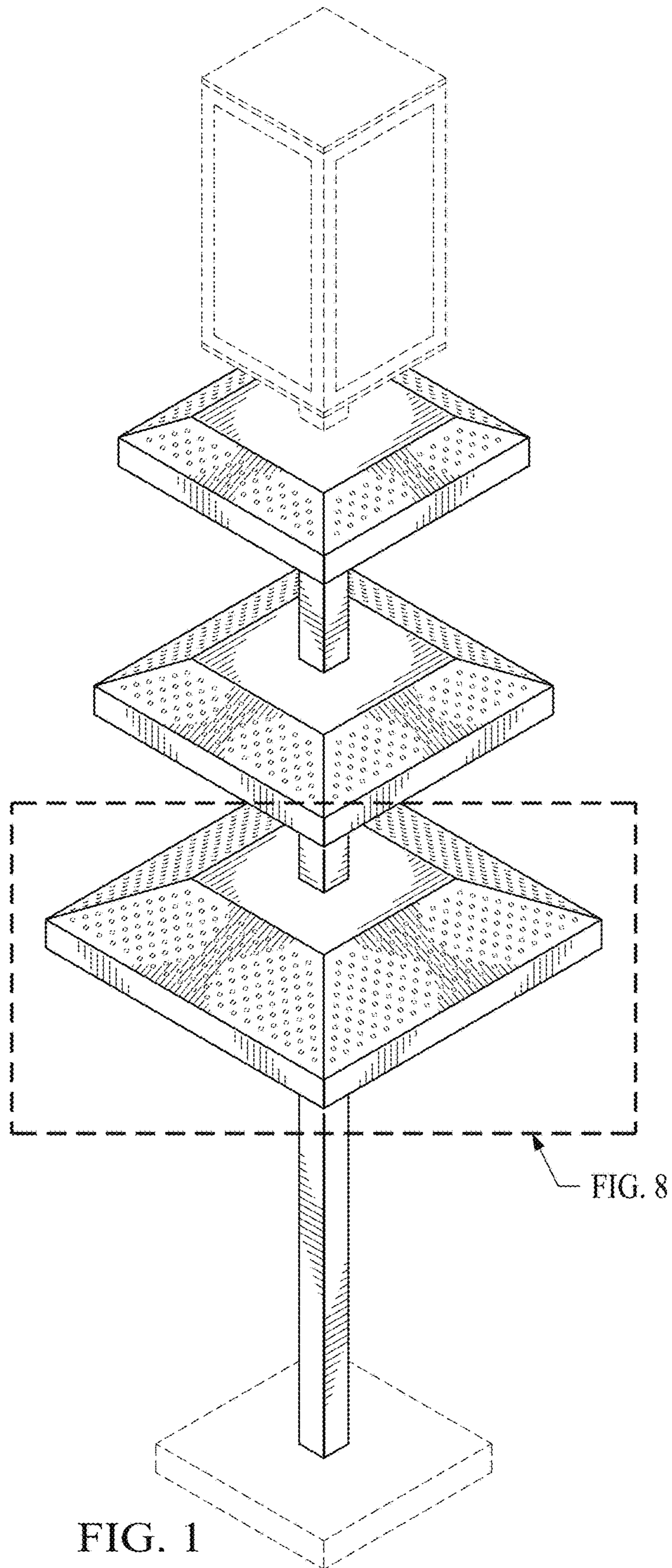
(56) **References Cited**

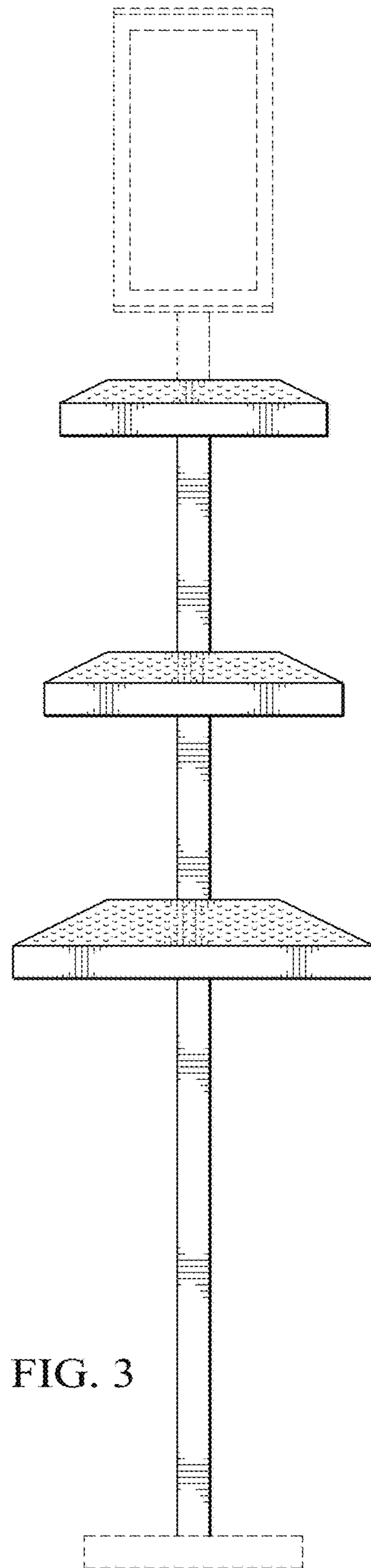
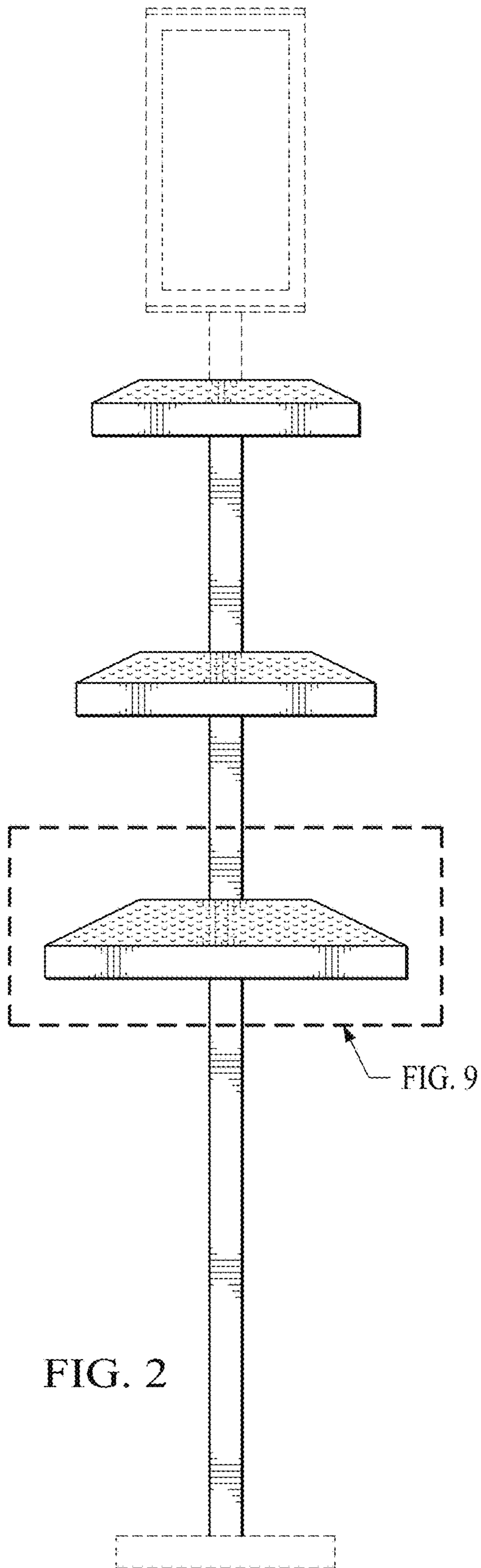
U.S. PATENT DOCUMENTS

1,688,048 A * 10/1928 Irvine A47F 5/04
108/108
D109,389 S * 4/1938 Beyrle D30/119
4,345,526 A * 8/1982 Streit A47B 47/04
108/101
D300,395 S * 3/1989 Emery, Jr. D6/675.1
D354,862 S * 1/1995 Goldberg D6/677.1
D371,696 S * 7/1996 Hutton D6/691.4
D444,323 S * 7/2001 Jeup D6/691.4
D451,703 S * 12/2001 All D6/677.1
D554,898 S * 11/2007 Sparkowski D6/675.1
D560,401 S * 1/2008 Hoglan D6/678.1

1 Claim, 6 Drawing Sheets







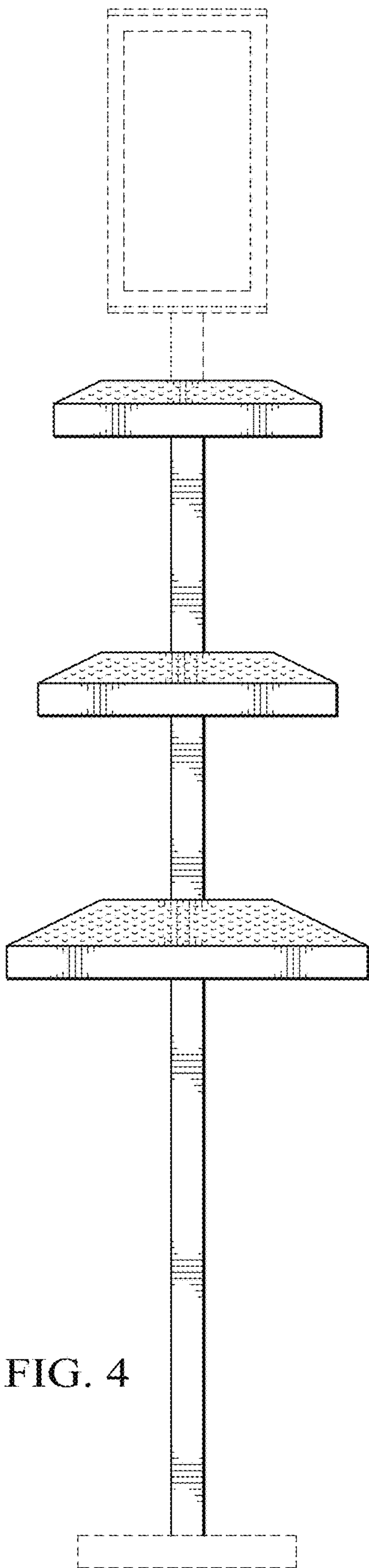


FIG. 4

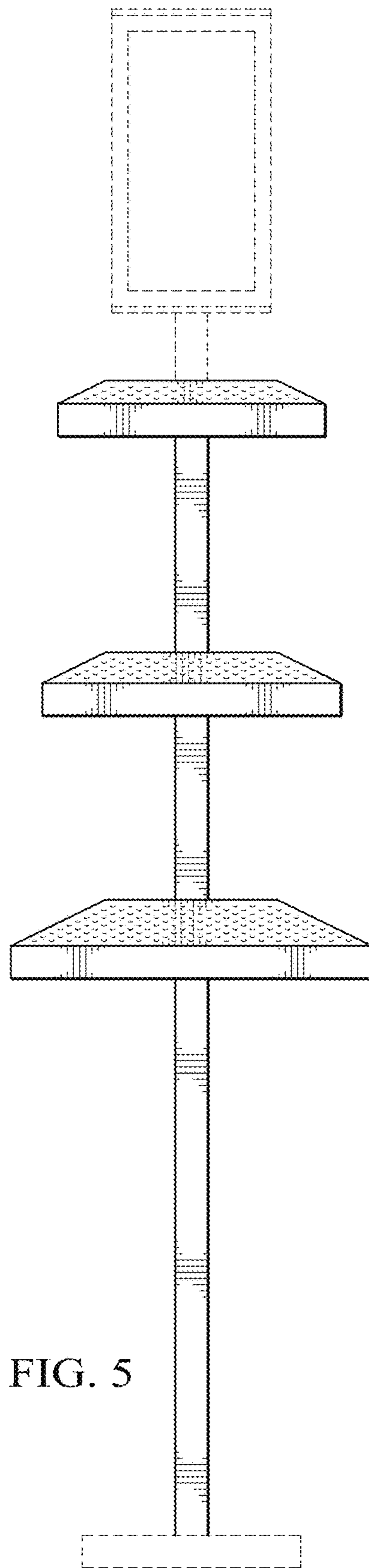


FIG. 5

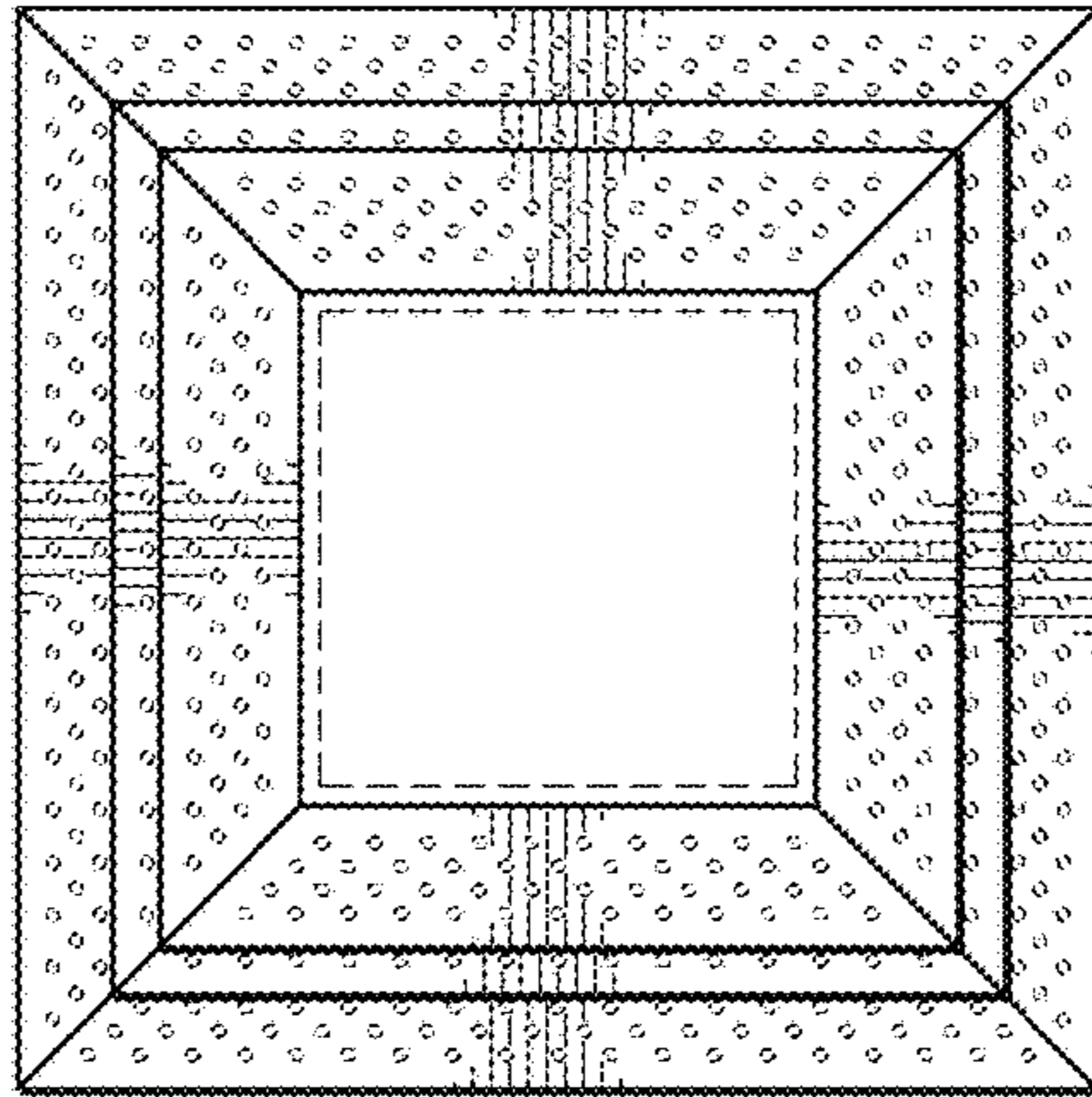


FIG. 6

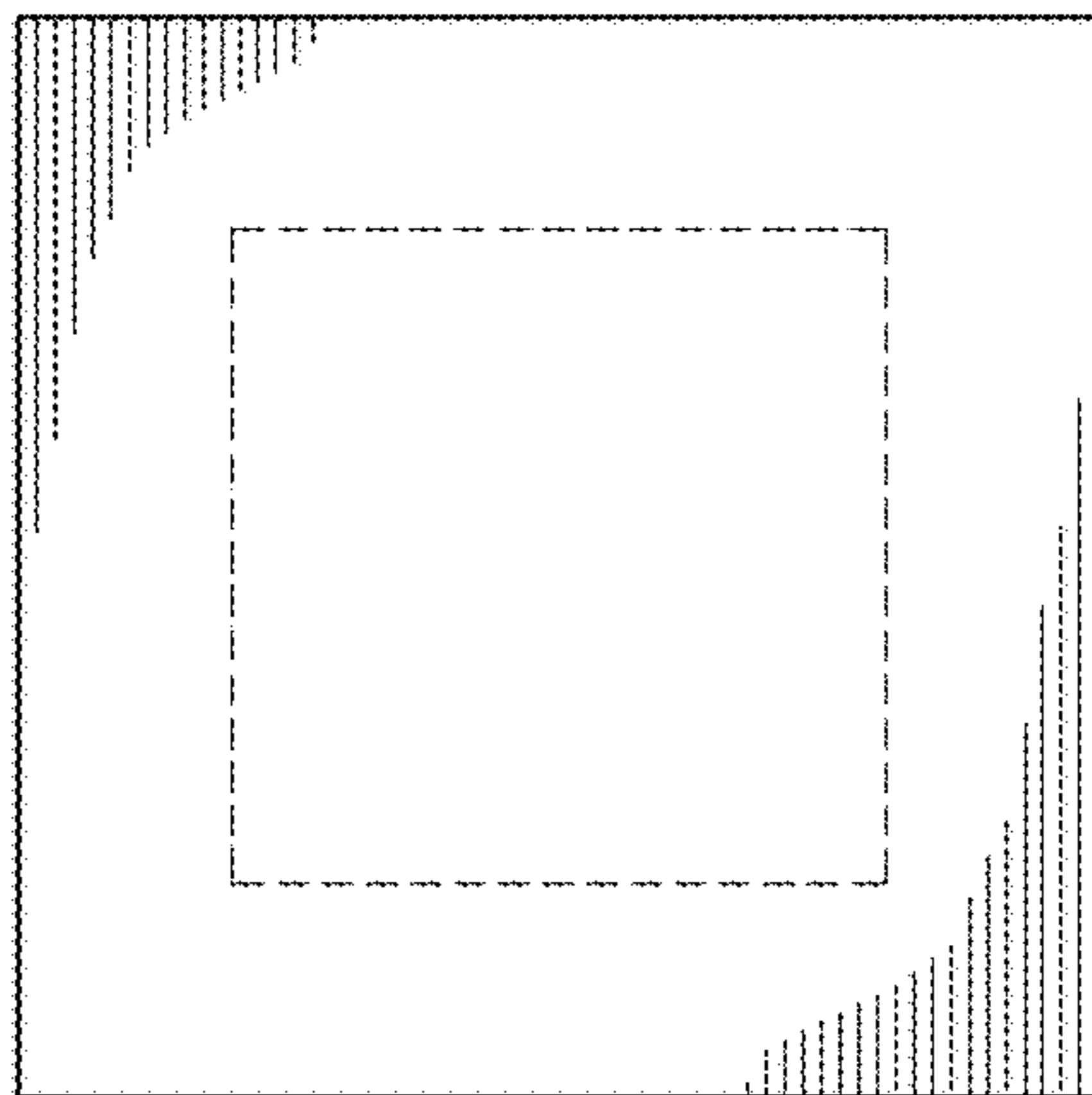


FIG. 7

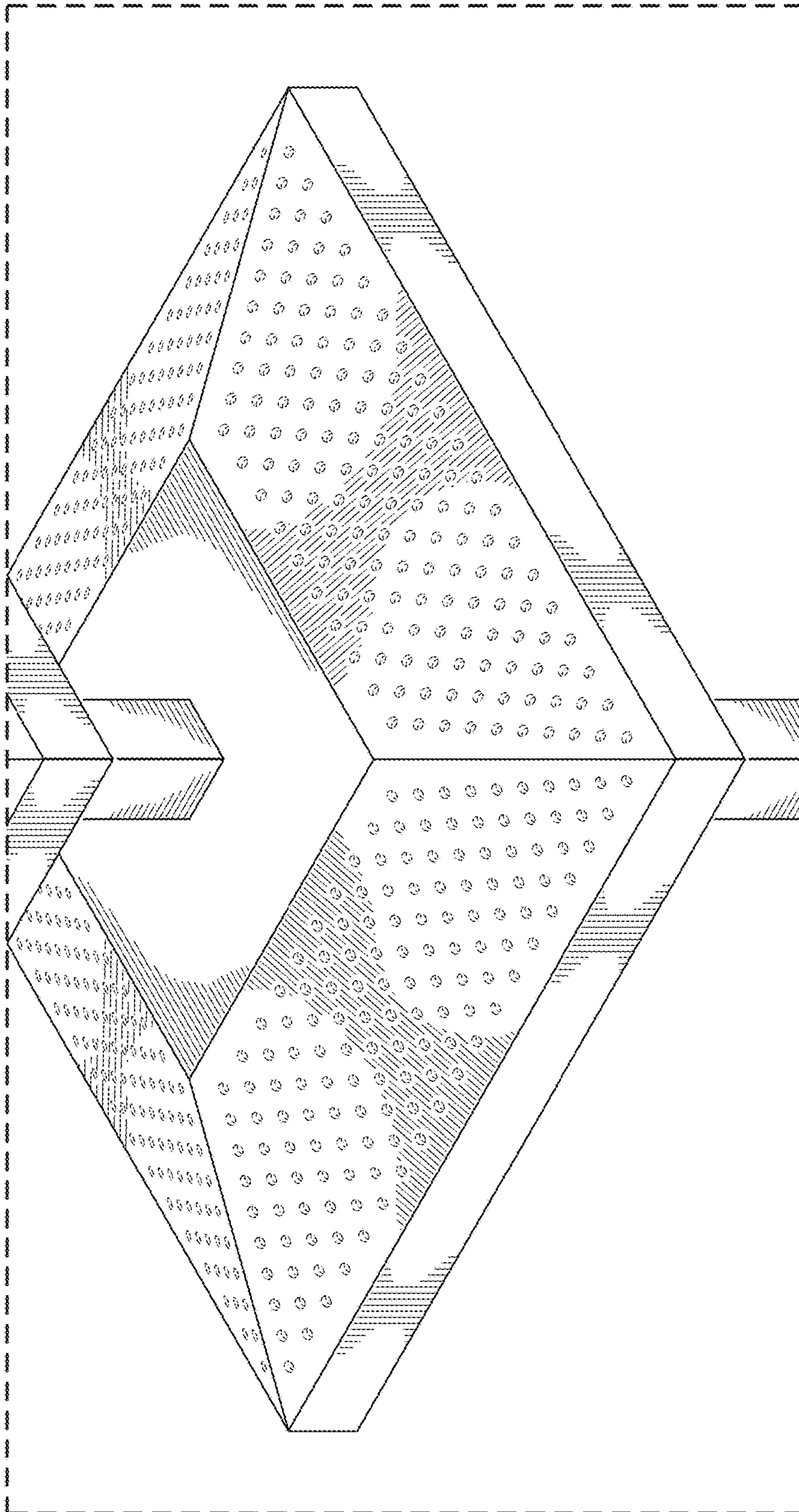


FIG. 8

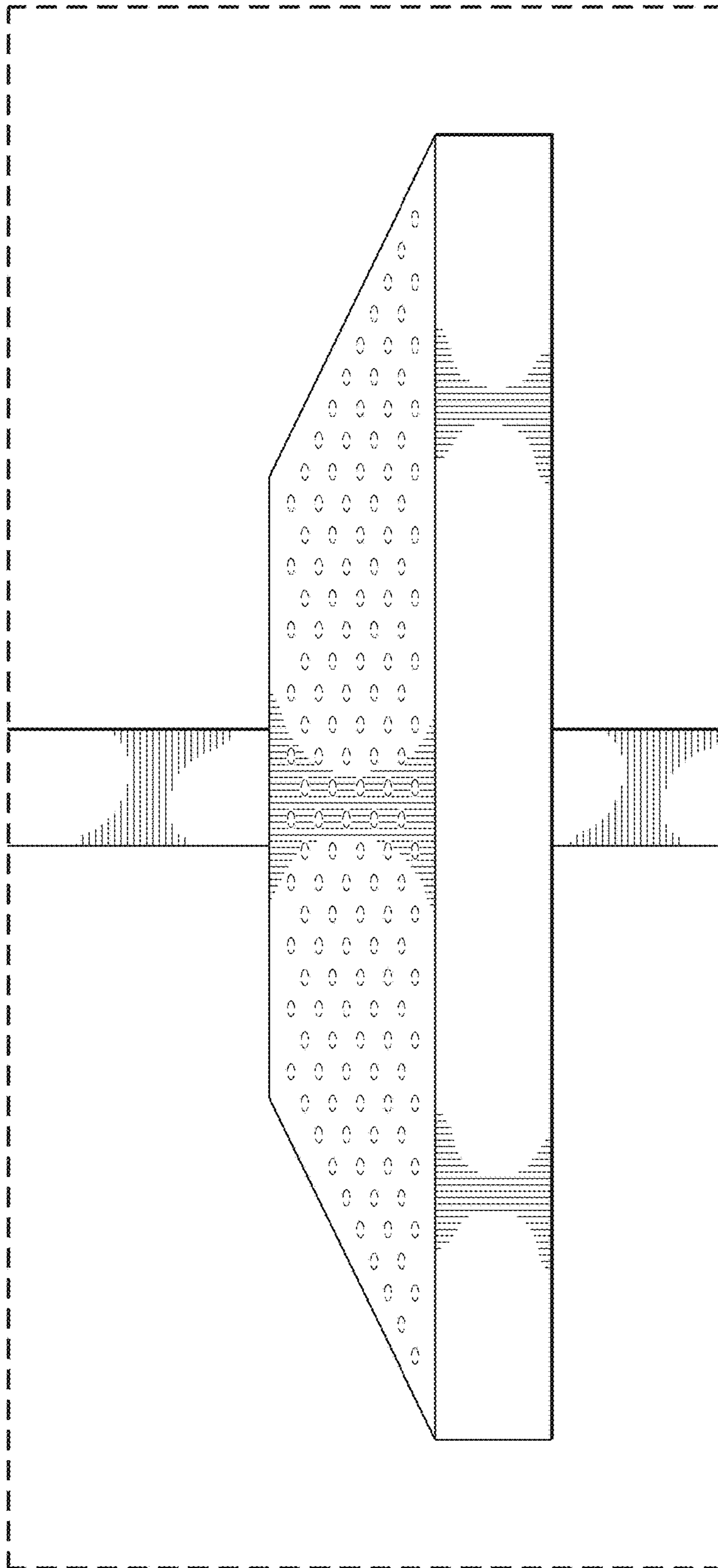


FIG. 9