



US00D801088S

(12) **United States Design Patent** (10) **Patent No.:** **US D801,088 S**
Henonin (45) **Date of Patent:** **** Oct. 31, 2017**

(54) **MODULAR FOOD PRODUCT DISPLAY STAND TRAY**

(71) Applicant: **Sabritas S. de R.L. de C.V.**, Mexico City (MX)

(72) Inventor: **Carolina Henonin**, Mexico City (MX)

(73) Assignee: **SABRITAS S. DE R.L. DE C.V.**, Mexico City (MX)

(**) Term: **15 Years**

(21) Appl. No.: **29/586,110**

(22) Filed: **Nov. 30, 2016**

(51) **LOC (10) Cl.** **06-06**

(52) **U.S. Cl.**
USPC **D6/675**

(58) **Field of Classification Search**
USPC D3/304, 307, 308, 309, 312, 314;
D6/675, 672, 683; D7/500, 550.1, 552.1,
D7/554.3, 555, 601-602, 396.1
CPC A47B 43/00; A47F 5/0018; A47F 7/0071;
A47G 19/00; B65D 1/00; B65D 1/34
See application file for complete search history.

(56) **References Cited**

U.S. PATENT DOCUMENTS

D269,672 S *	7/1983	Seltzer	D13/119
D269,868 S *	7/1983	Seltzer	D13/119
4,523,681 A *	6/1985	Kreeger	B65D 21/041 206/507
4,577,759 A *	3/1986	Kreeger	B65D 21/041 206/505
D383,339 S *	9/1997	Grosfillex	D6/705.7
5,722,544 A *	3/1998	Williams	A47B 87/008 108/107
D469,255 S *	1/2003	Hammett	B65D 1/22 D3/314
D531,379 S *	10/2006	Piner	D99/29

D557,011 S *	12/2007	Fernandez	D3/307
D615,777 S *	5/2010	Lee	D6/675.1
D637,022 S *	5/2011	Noble Colin	D6/705.7
D701,408 S *	3/2014	Mason	D6/705.7
D727,791 S *	4/2015	Montagano	D11/155
D754,458 S *	4/2016	Mason	D6/675.1
D759,998 S *	6/2016	Mason	D6/675.1
D770,232 S *	11/2016	Brown	D7/554.3
D775,883 S *	1/2017	Mason	D6/705

(Continued)

Primary Examiner — Kelley Donnelly

(74) *Attorney, Agent, or Firm* — Krista Y. Chan; Colin P. Cahoon; Carstens & Cahoon, LLP

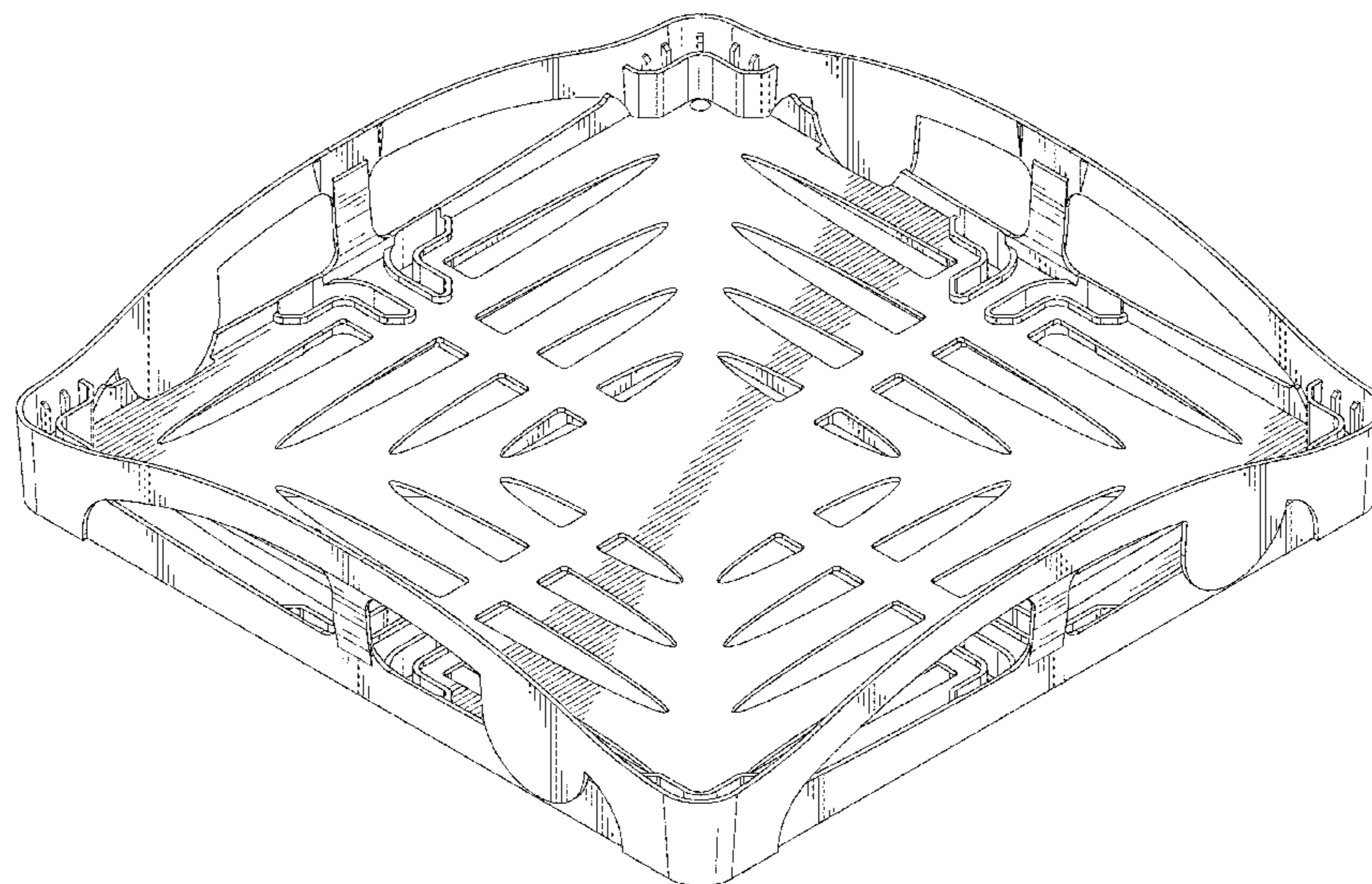
(57) **CLAIM**

The ornamental design for a modular food product display stand tray, as shown and described.

DESCRIPTION

FIG. 1 is a top perspective view of a modular food product display stand tray;
 FIG. 2 is a right side view of a modular food product display stand tray;
 FIG. 3 is a left side view of a modular food product display stand tray;
 FIG. 4 is a back view of a modular food product display stand tray;
 FIG. 5 is a front view of a modular food product display stand tray;
 FIG. 6 is a top view of a modular food product display stand tray;
 FIG. 7 is a bottom view of a modular food product display stand tray;
 FIG. 8 is a bottom perspective view of a modular food product display stand tray; and,
 FIG. 9 is a top perspective view of a modular food product display stand tray, shown with environment.
 The broken line showing of the environment is for illustrative purposes only and forms no part of the claimed design.

1 Claim, 6 Drawing Sheets



(56)

References Cited

U.S. PATENT DOCUMENTS

D782,382 S * 3/2017 Jaimes D12/203
2003/0183549 A1* 10/2003 Verna B65D 21/045
206/509
2005/0183980 A1* 8/2005 Fernandez B65D 1/34
206/509
2006/0070906 A1* 4/2006 Verna B65D 21/041
206/509
2008/0128319 A1* 6/2008 Noble Colin A47B 57/20
206/745

* cited by examiner

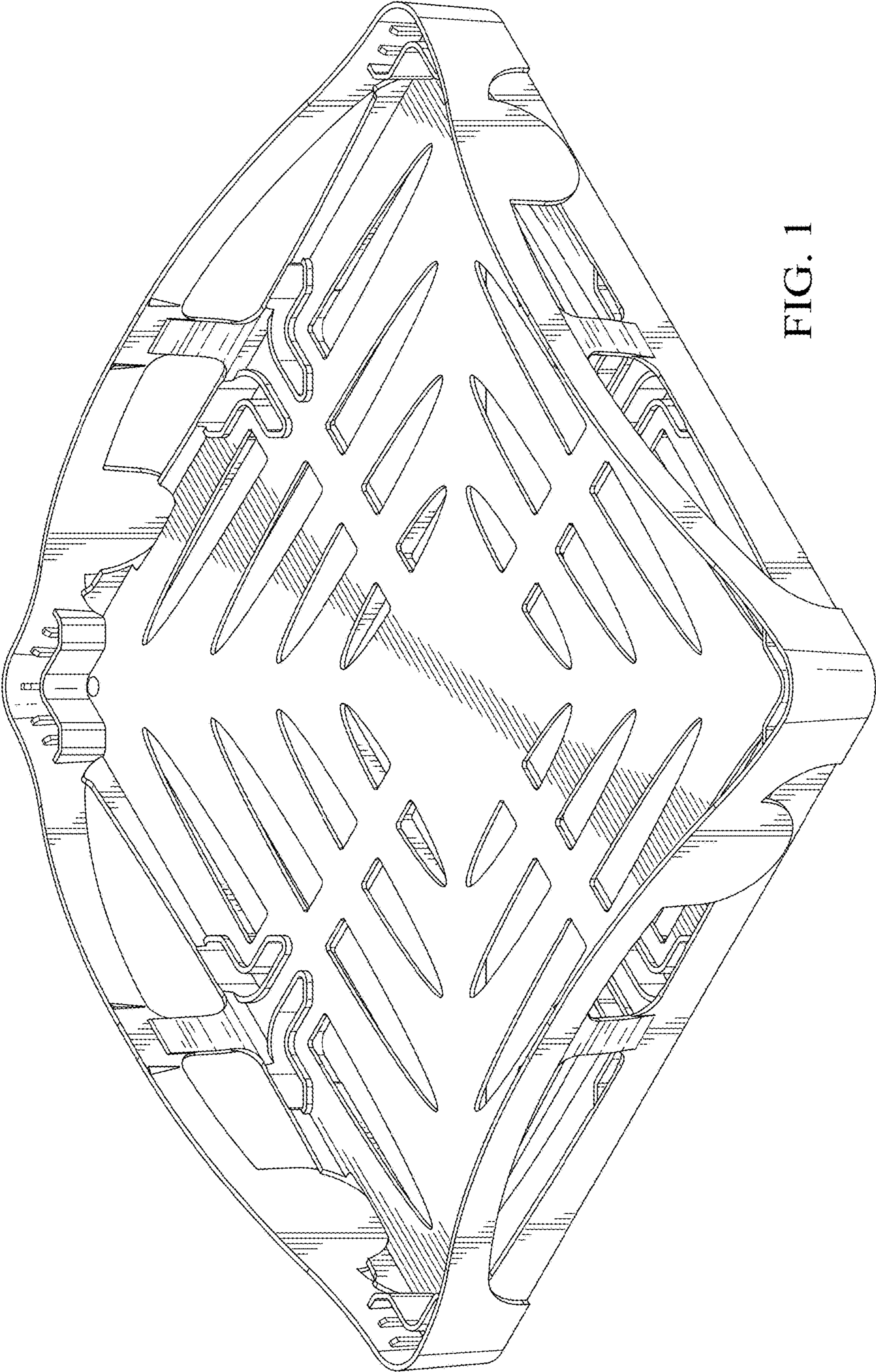


FIG. 1

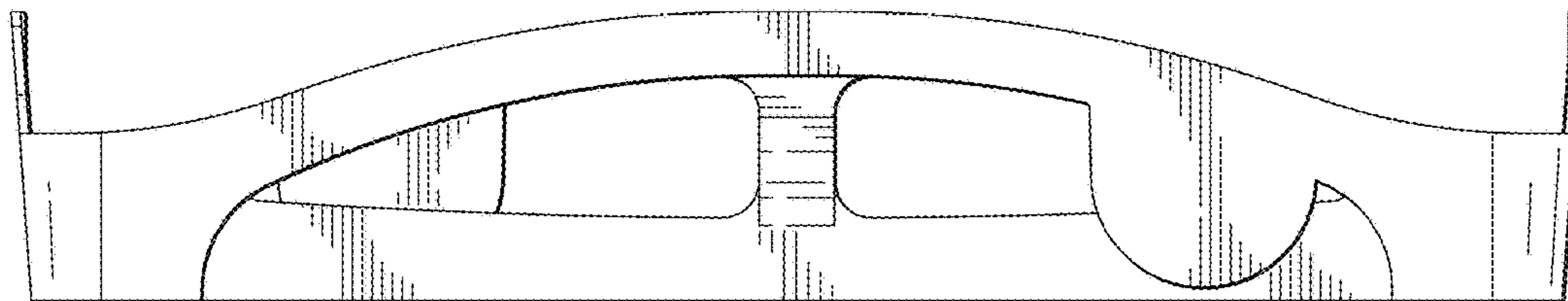


FIG. 2

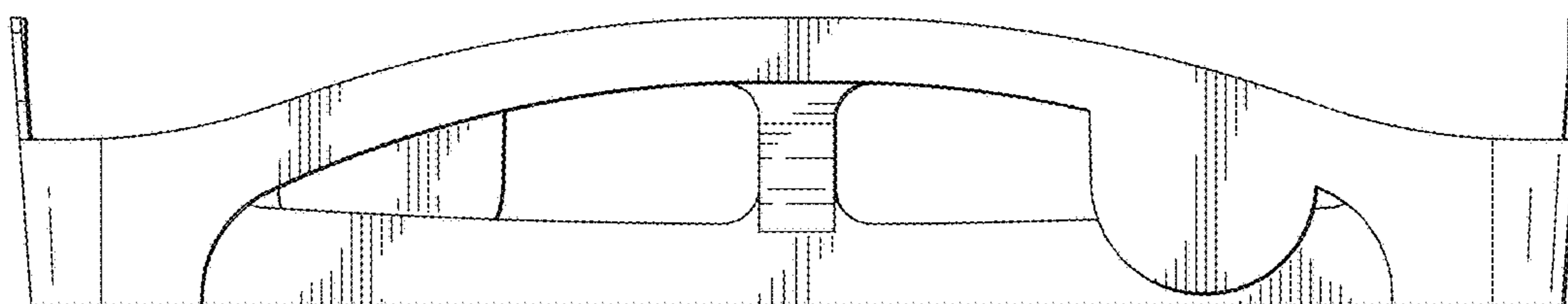


FIG. 3

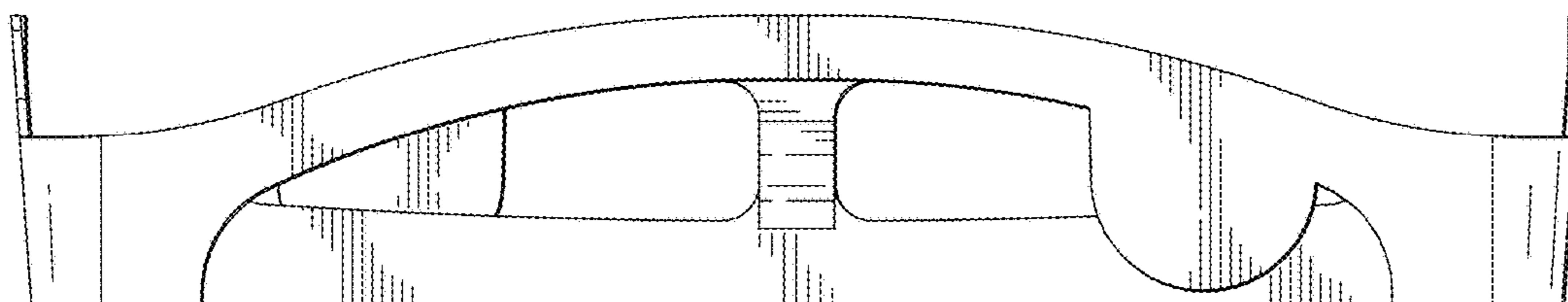


FIG. 4

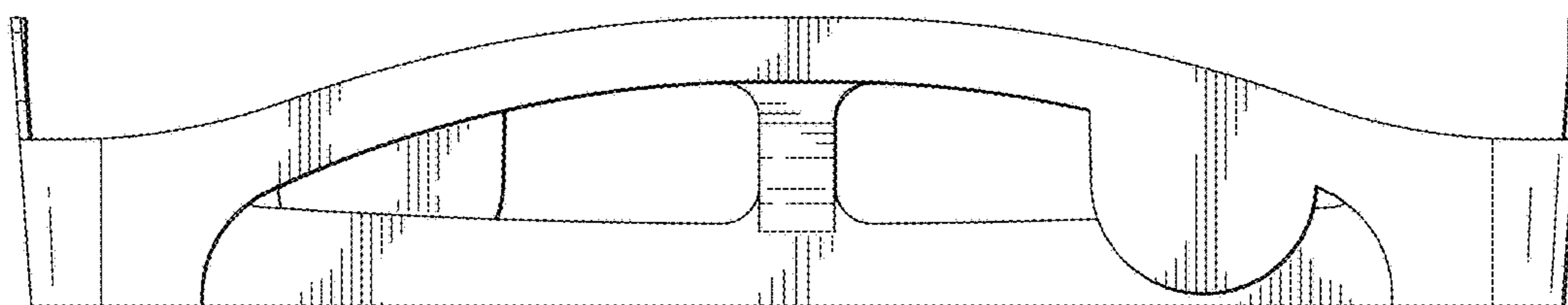


FIG. 5

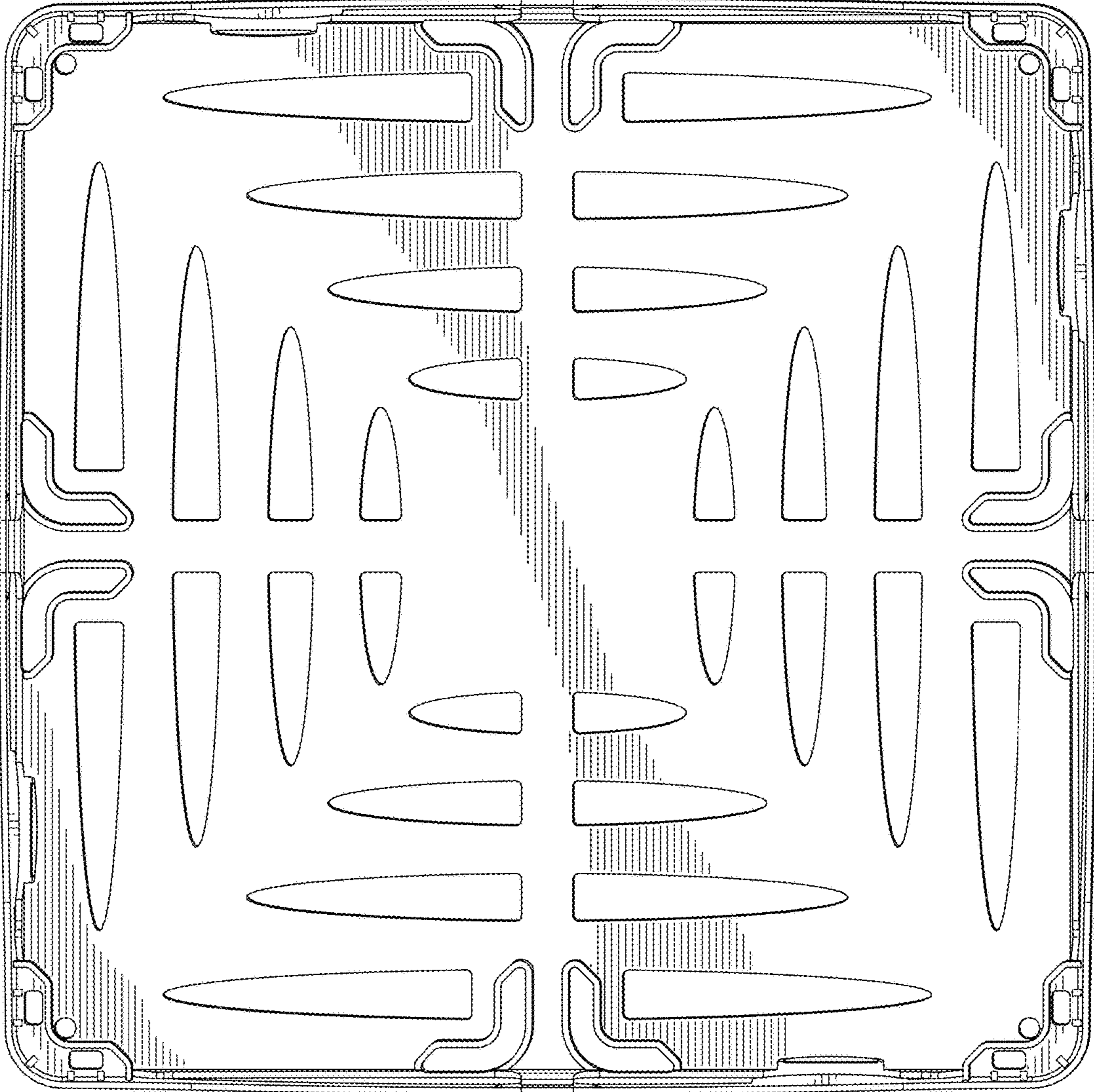


FIG. 6

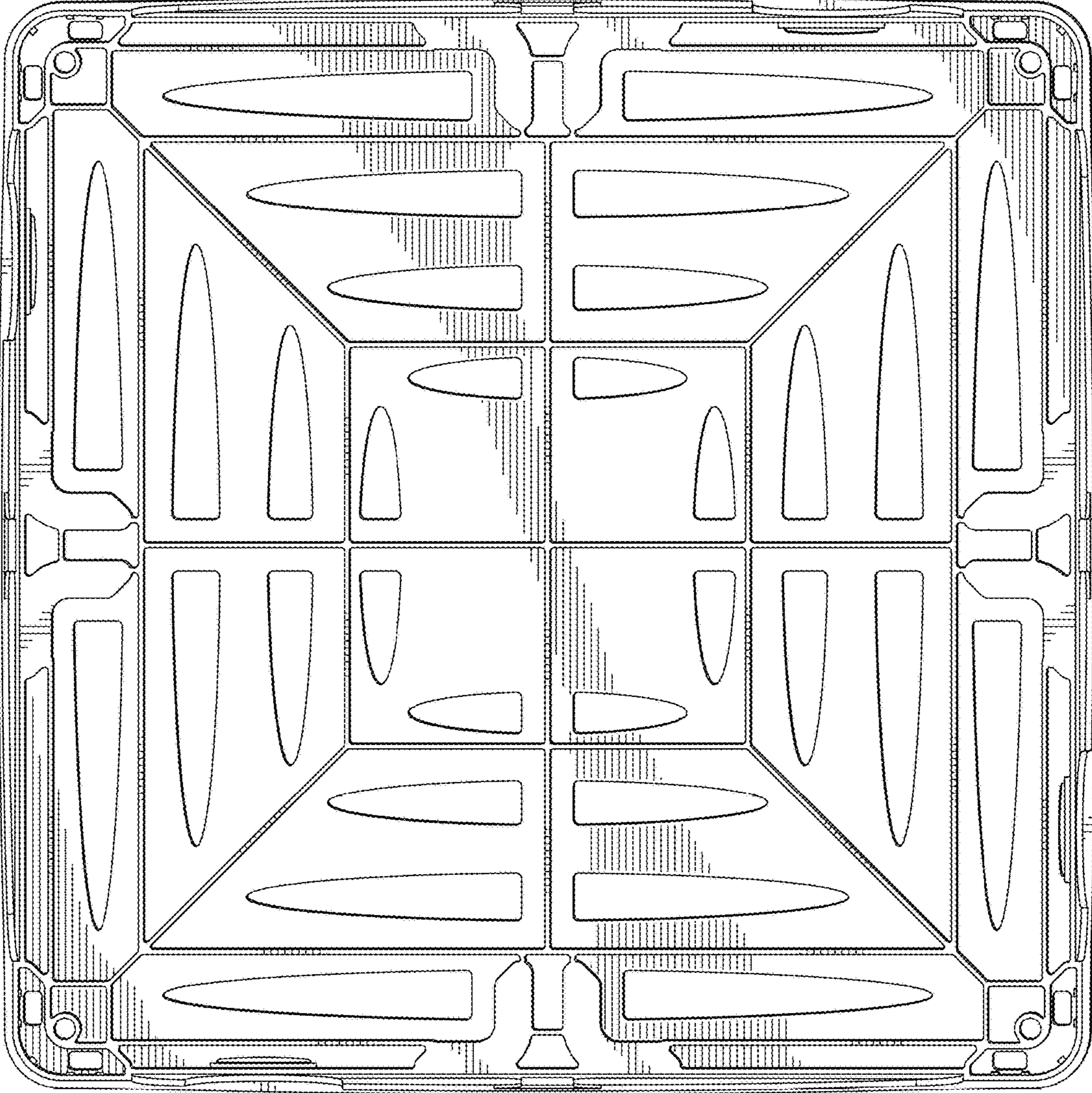


FIG. 7

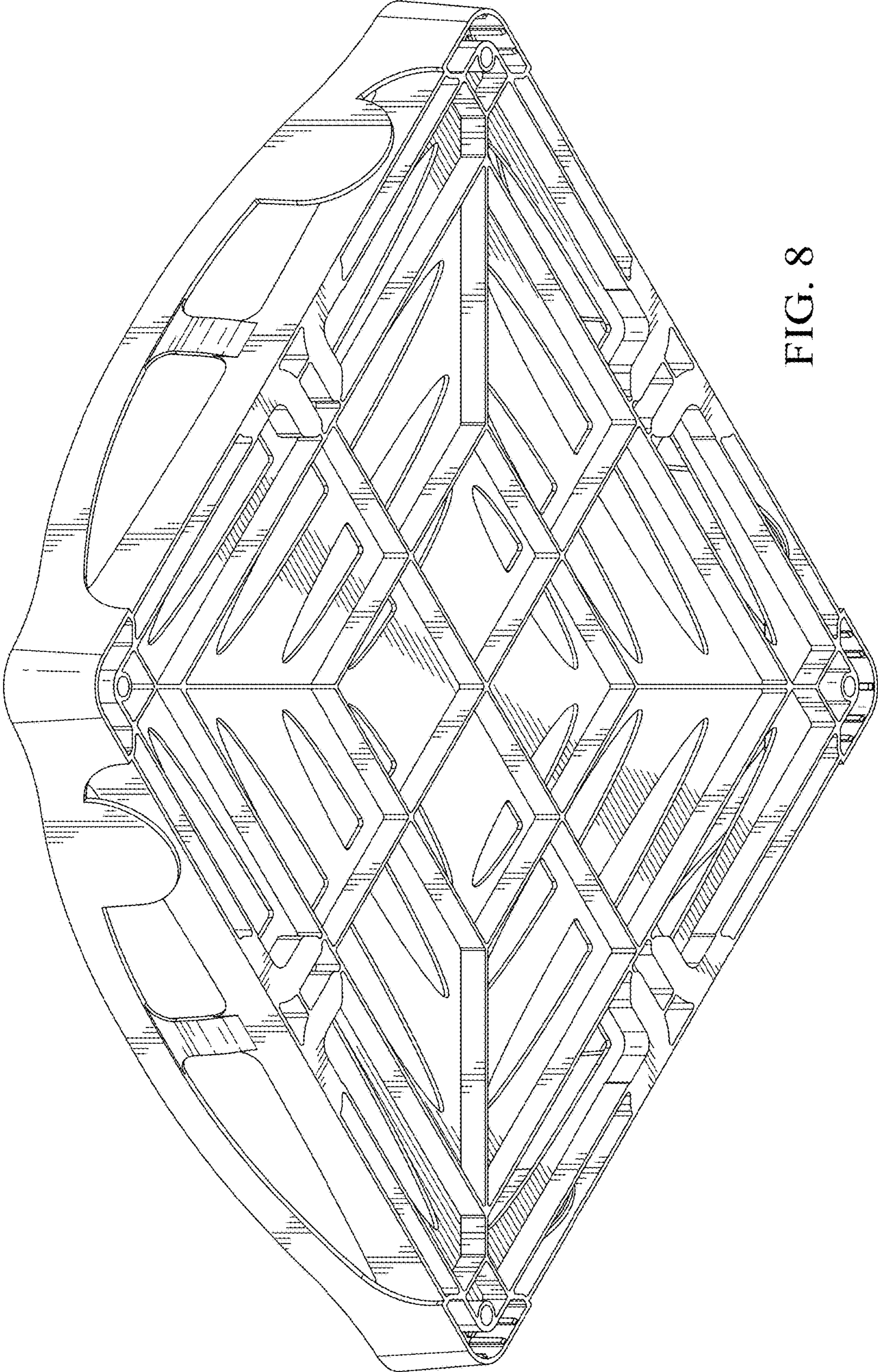


FIG. 8

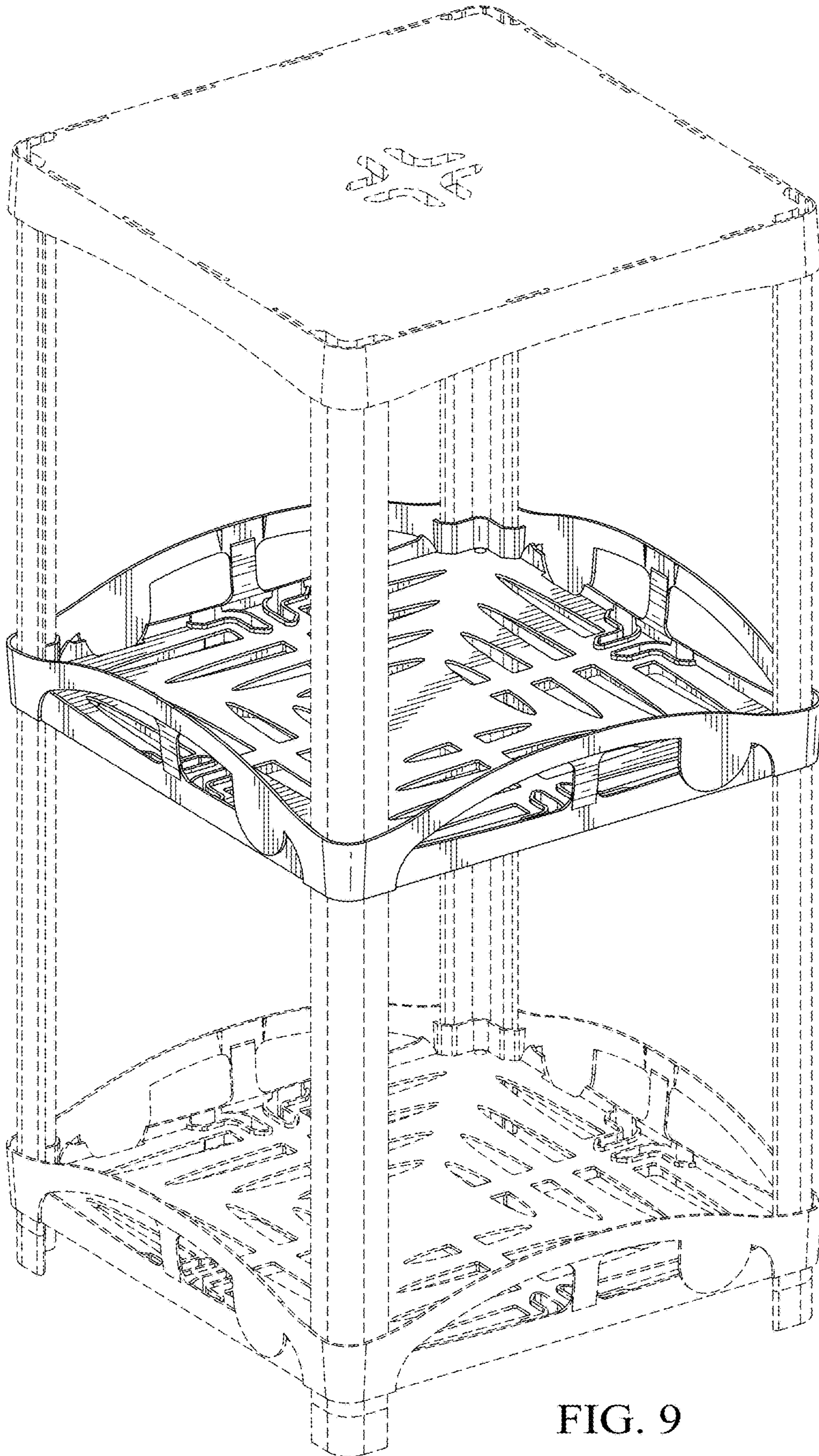


FIG. 9