



US00D801085S

(12) **United States Design Patent**  
**Moriniere et al.**

(10) **Patent No.:** **US D801,085 S**  
(45) **Date of Patent:** **\*\* Oct. 31, 2017**

- (54) **STORAGE UNIT**
- (71) Applicant: **Steelcase Inc.**, Grand Rapids, MI (US)
- (72) Inventors: **Alban Moriniere**, Strasbourg (FR);  
**Karl-Heinz Mueller**, Prutting (DE);  
**Laurent Troesch**, Strasbourg (FR)
- (73) Assignee: **Steelcase Inc.**, Grand Rapids, MI (US)
- (\*\*) Term: **15 Years**
- (21) Appl. No.: **29/551,501**
- (22) Filed: **Jan. 14, 2016**

- (30) **Foreign Application Priority Data**  
Oct. 9, 2015 (EM) ..... 002817510-0001
- (51) **LOC (10) Cl.** ..... **06-04**
- (52) **U.S. Cl.**  
USPC ..... **D6/671.4**
- (58) **Field of Classification Search**  
USPC ..... D6/663, 667, 671, 671.1, 671.2, 671.3,  
D6/671.4, 683; D32/1, 6  
CPC ..... A47B 17/04; A47B 47/03; A47B 67/00;  
A47B 67/04; A47B 88/00; A47B 88/0044  
See application file for complete search history.

- (56) **References Cited**  
U.S. PATENT DOCUMENTS

|              |         |                 |        |
|--------------|---------|-----------------|--------|
| 3,890,023 A  | 6/1975  | Mohr et al.     |        |
| 4,323,291 A  | 4/1982  | Ball            |        |
| 4,382,642 A  | 5/1983  | Burdick         |        |
| 4,560,215 A  | 12/1985 | Turner          |        |
| D286,958 S * | 12/1986 | Gualtieri       | D6/663 |
| 4,735,150 A  | 4/1988  | Roberts         |        |
| 4,861,122 A  | 8/1989  | Newhouse et al. |        |
| 4,932,332 A  | 6/1990  | Noda            |        |
| D314,913 S   | 2/1991  | Ferbrache       |        |

|              |         |                     |          |
|--------------|---------|---------------------|----------|
| D324,963 S   | 3/1992  | LaCour              |          |
| 5,526,756 A  | 6/1996  | Watson              |          |
| 5,758,934 A  | 6/1998  | Flutka et al.       |          |
| 5,873,643 A  | 2/1999  | Burgess, Jr. et al. |          |
| D424,763 S * | 5/2000  | Schinzing           | D32/6    |
| 6,447,080 B1 | 9/2002  | Rheault et al.      |          |
| D497,059 S   | 10/2004 | Jans                |          |
| D535,119 S * | 1/2007  | Bixby               | D6/671.1 |
| D535,120 S * | 1/2007  | Bixby               | D6/667   |
| D536,198 S * | 2/2007  | Bixby               | D6/671.1 |
| D536,903 S * | 2/2007  | Bixby               | D32/6    |
| D537,268 S * | 2/2007  | Bixby               | D6/671.4 |
| D537,270 S * | 2/2007  | Bixby               | D6/671.4 |
| D537,650 S   | 3/2007  | Luong               |          |
| D538,552 S * | 3/2007  | Bixby               | D6/671.4 |
| D541,553 S * | 5/2007  | Bixby               | D6/671.1 |
| D549,485 S * | 8/2007  | Bixby               | D6/671.1 |
| 7,487,729 B2 | 2/2009  | Riddiford et al.    |          |
| D626,759 S   | 11/2010 | Joh                 |          |
| D635,376 S   | 4/2011  | Cortivo et al.      |          |
| D648,568 S   | 11/2011 | Cortivo et al.      |          |
| D651,651 S   | 1/2012  | Beukema et al.      |          |

(Continued)

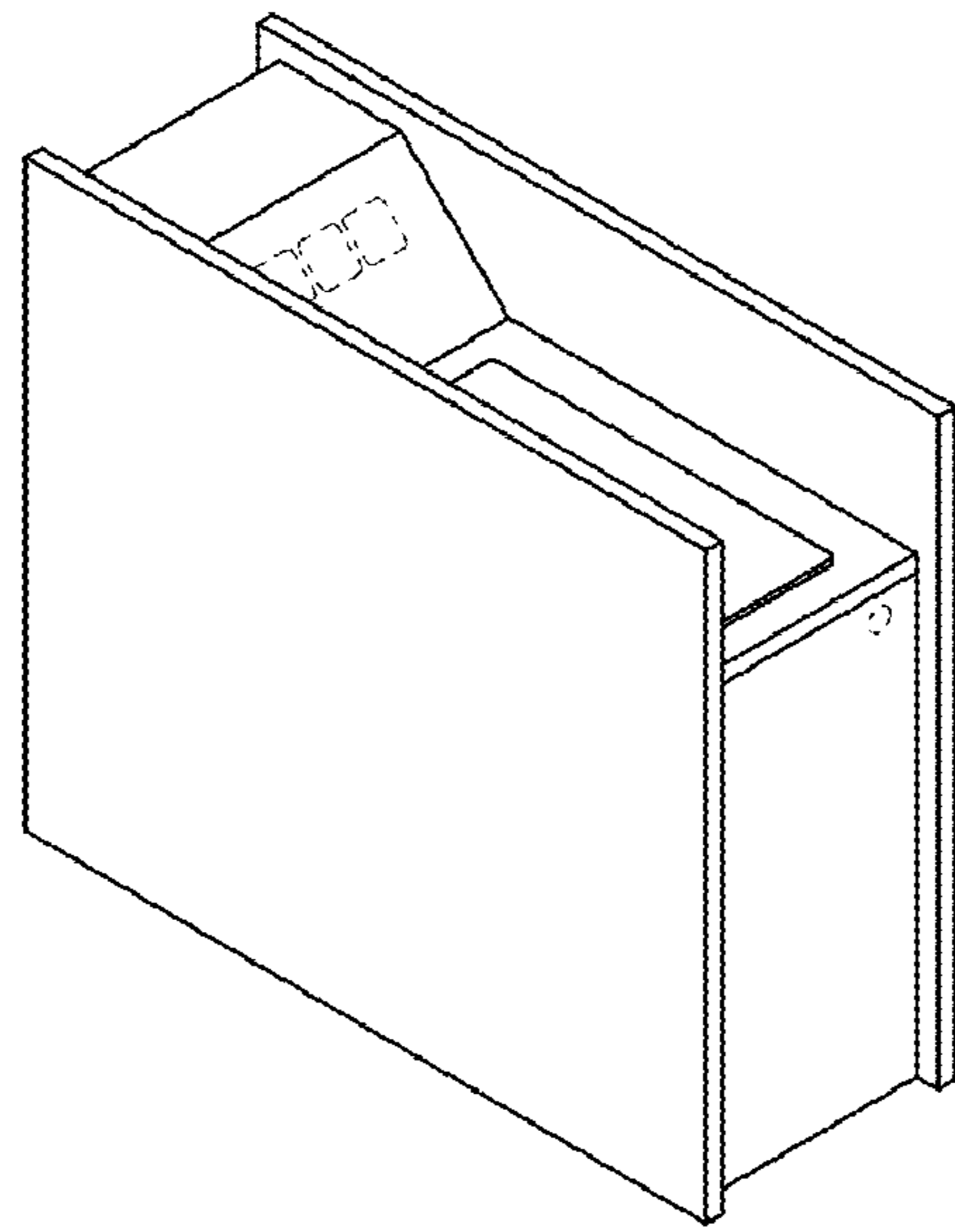
Primary Examiner — Mimososa De

(57) **CLAIM**  
We claim the ornamental design for a storage unit, as shown and described.

**DESCRIPTION**

FIG. 1 is a top perspective view of a storage unit; FIG. 2 is a front view of the storage unit of FIG. 1; FIG. 3 is a rear view of the storage unit of FIG. 1; FIG. 4 is a right side view of the storage unit of FIG. 1, the left side view is a mirror image of the right side view of FIG. 4; FIG. 5 is a top view of the storage unit of FIG. 1; and, FIG. 6 is a bottom view of the storage unit of FIG. 1. The dashed lines are for purposes of illustrating environmental structure and form no part of the claimed design.

**1 Claim, 1 Drawing Sheet**



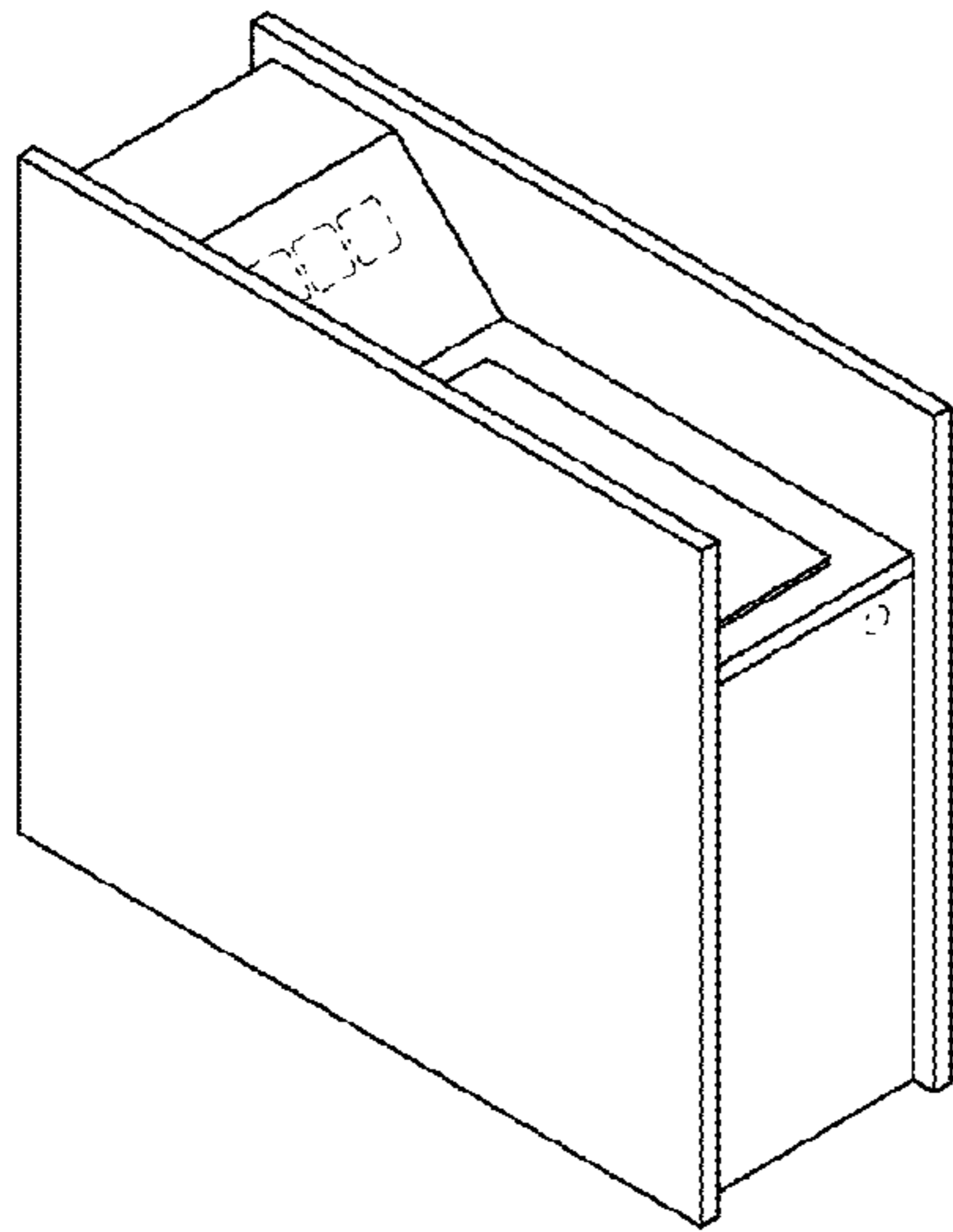
(56)

**References Cited**

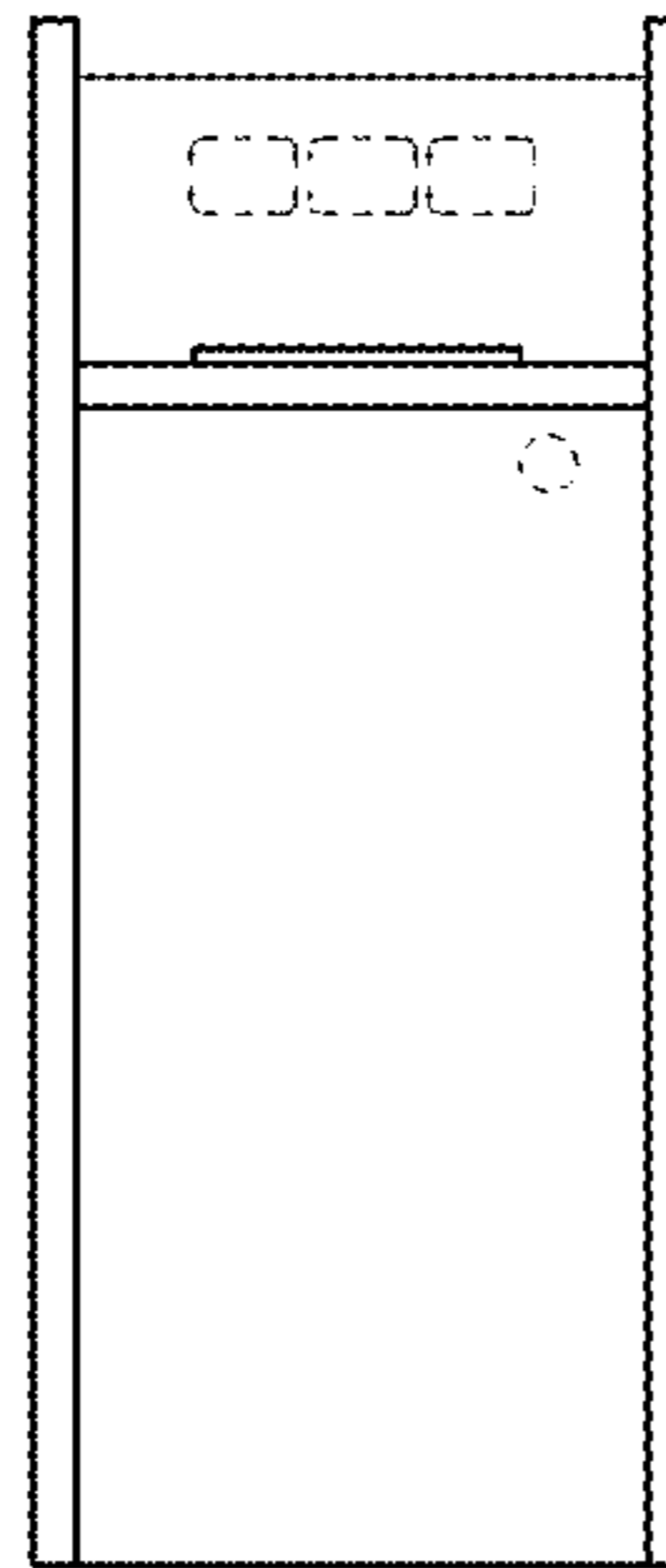
U.S. PATENT DOCUMENTS

|              |     |         |                   |        |
|--------------|-----|---------|-------------------|--------|
| D704,481     | S   | 5/2014  | Gaschy et al.     |        |
| 8,905,500    | B2  | 12/2014 | Larson et al.     |        |
| D747,568     | S * | 1/2016  | Hoffman .....     | D32/1  |
| D781,625     | S * | 3/2017  | Poniatowski ..... | D6/683 |
| 2003/0227237 | A1  | 12/2003 | Bockheim          |        |
| 2004/0065235 | A1  | 4/2004  | de Oliveira       |        |
| 2006/0042520 | A1  | 3/2006  | Stevens et al.    |        |
| 2007/0251428 | A1  | 11/2007 | Mead et al.       |        |
| 2008/0035030 | A1  | 2/2008  | Horton            |        |

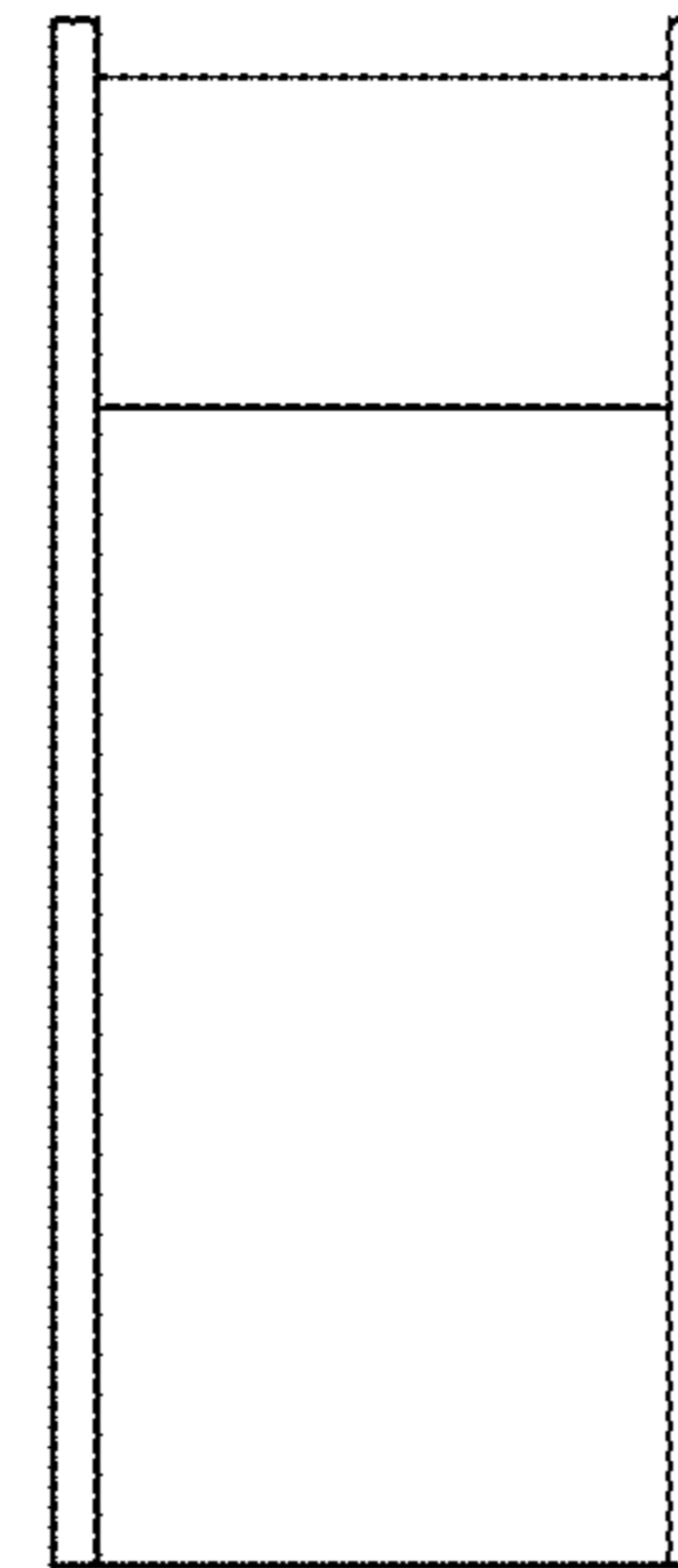
\* cited by examiner



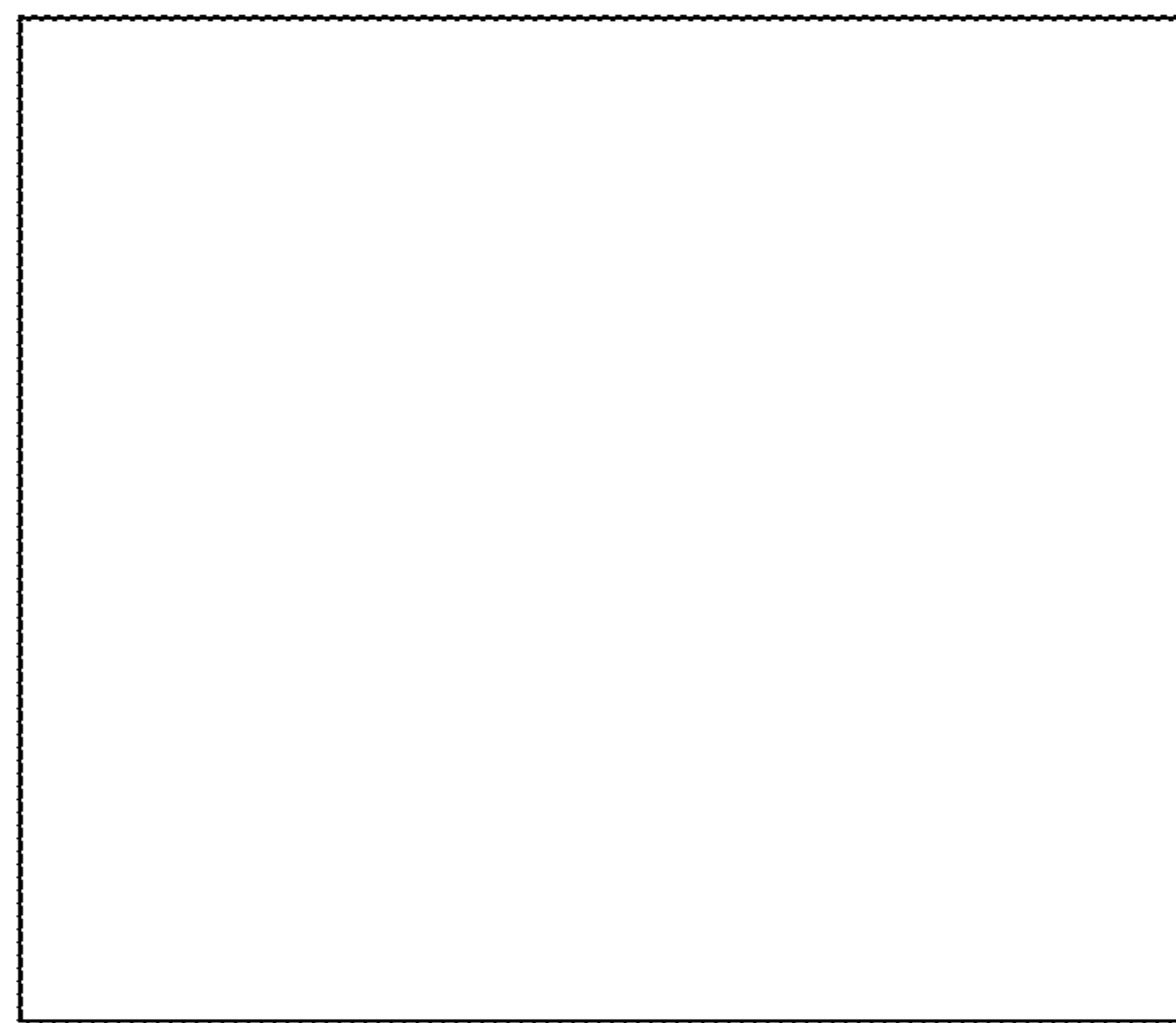
**FIG. 1**



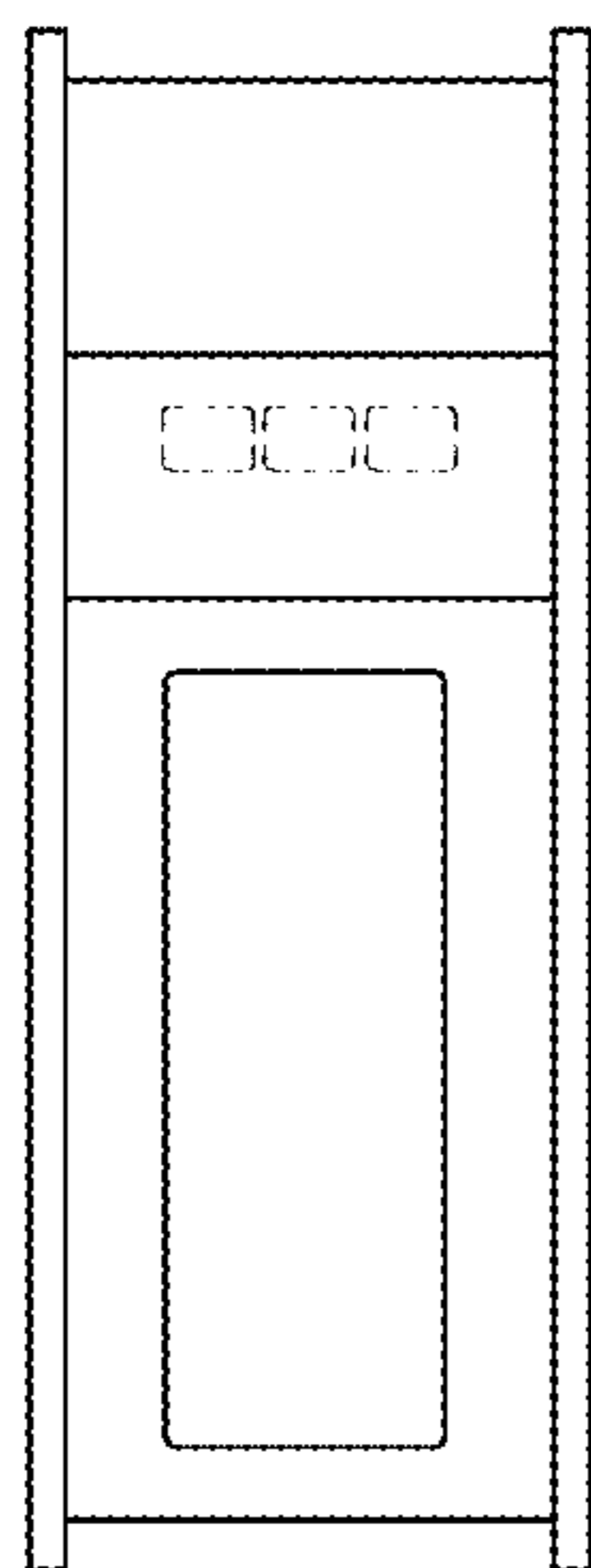
**FIG. 2**



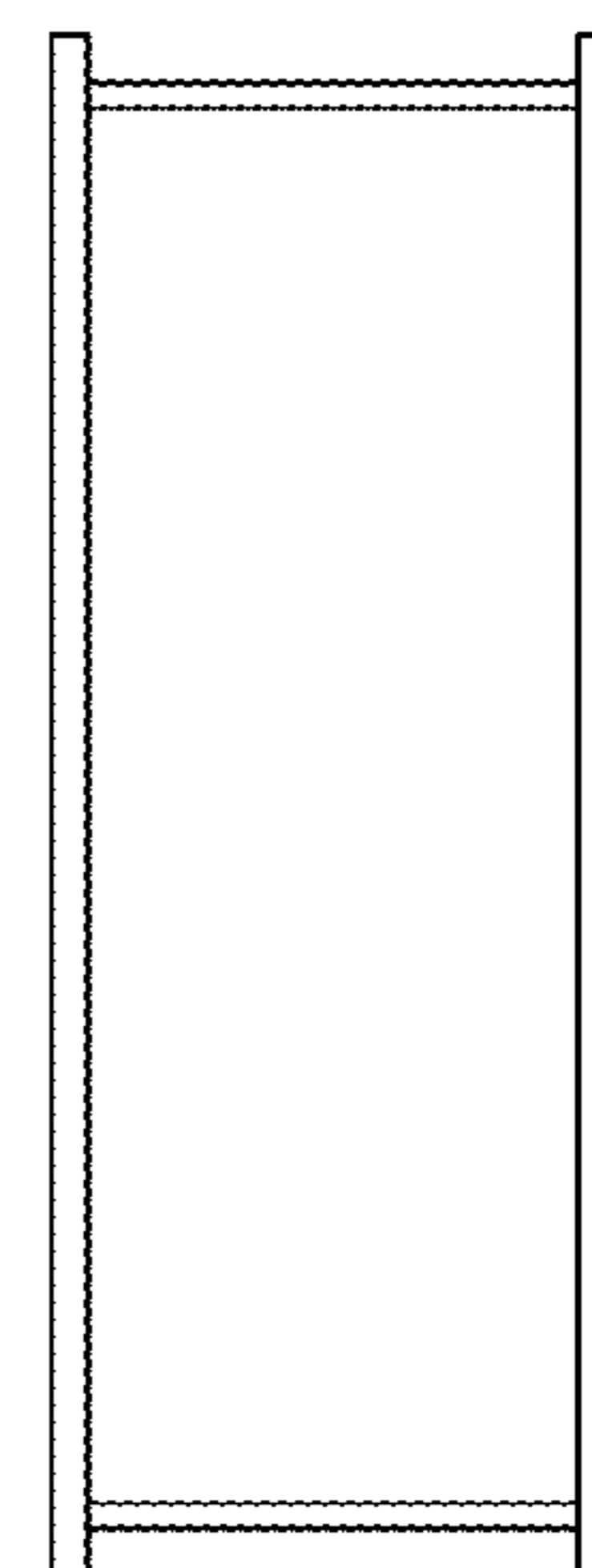
**FIG. 3**



**FIG. 4**



**FIG. 5**



**FIG. 6**