



US00D801080S

(12) **United States Design Patent** (10) **Patent No.:** **US D801,080 S**
Wilson (45) **Date of Patent:** **** Oct. 31, 2017**

(54) **TELESCOPIC STORAGE DEVICE**

(71) Applicant: **ROSWELL CANADA INC.**, Acheson (CA)

(72) Inventor: **Darrick Wilson**, Edmonton (CA)

(73) Assignee: **ROSWELL CANADA INC.**, Acheson, AB (CA)

(**) Term: **15 Years**

(21) Appl. No.: **29/573,455**

(22) Filed: **Aug. 5, 2016**

(51) **LOC (10) Cl.** **06-04**

(52) **U.S. Cl.**
USPC **D6/552**

(58) **Field of Classification Search**
USPC D6/552, 570; D8/373; D21/221, 223, 248/121, 126, 127, 176.1, 351
CPC A47B 81/00; A47B 2096/1491; A47F 5/0884; A63B 69/0093; A63C 17/017
See application file for complete search history.

(56) **References Cited**

U.S. PATENT DOCUMENTS

D472,751 S *	4/2003	Doscher	D6/552
D533,743 S *	12/2006	Eastman	D6/552
D644,054 S *	8/2011	O'Dell	D6/570
D644,055 S *	8/2011	O'Dell	D6/570
D781,614 S *	3/2017	Taylor	D6/552

* cited by examiner

Primary Examiner — Wan Laymon

Assistant Examiner — Mark Booker

(74) *Attorney, Agent, or Firm* — Tai W. Nahm; Miller Thomson LLP

(57) **CLAIM**

The ornamental design for a telescopic storage device, as shown and described.

DESCRIPTION

FIG. 1 illustrates a front right isometric view of a telescopic storage device in accordance with the new design.

FIG. 2 illustrates another front right isometric view of the telescopic storage device of FIG. 1 with a first arm telescopically extended.

FIG. 3 illustrates another front right isometric view of the telescopic storage device of FIG. 1 with a second arm telescopically extended.

FIG. 4 illustrates another front right isometric view of the telescopic storage device of FIG. 1 with both first and second arms telescopically extended.

FIG. 5 illustrates a left side view of the telescopic storage device of FIG. 1.

FIG. 6 illustrates a right side view of the telescopic storage device of FIG. 1.

FIG. 7 illustrates a front view of the telescopic storage device of FIG. 1.

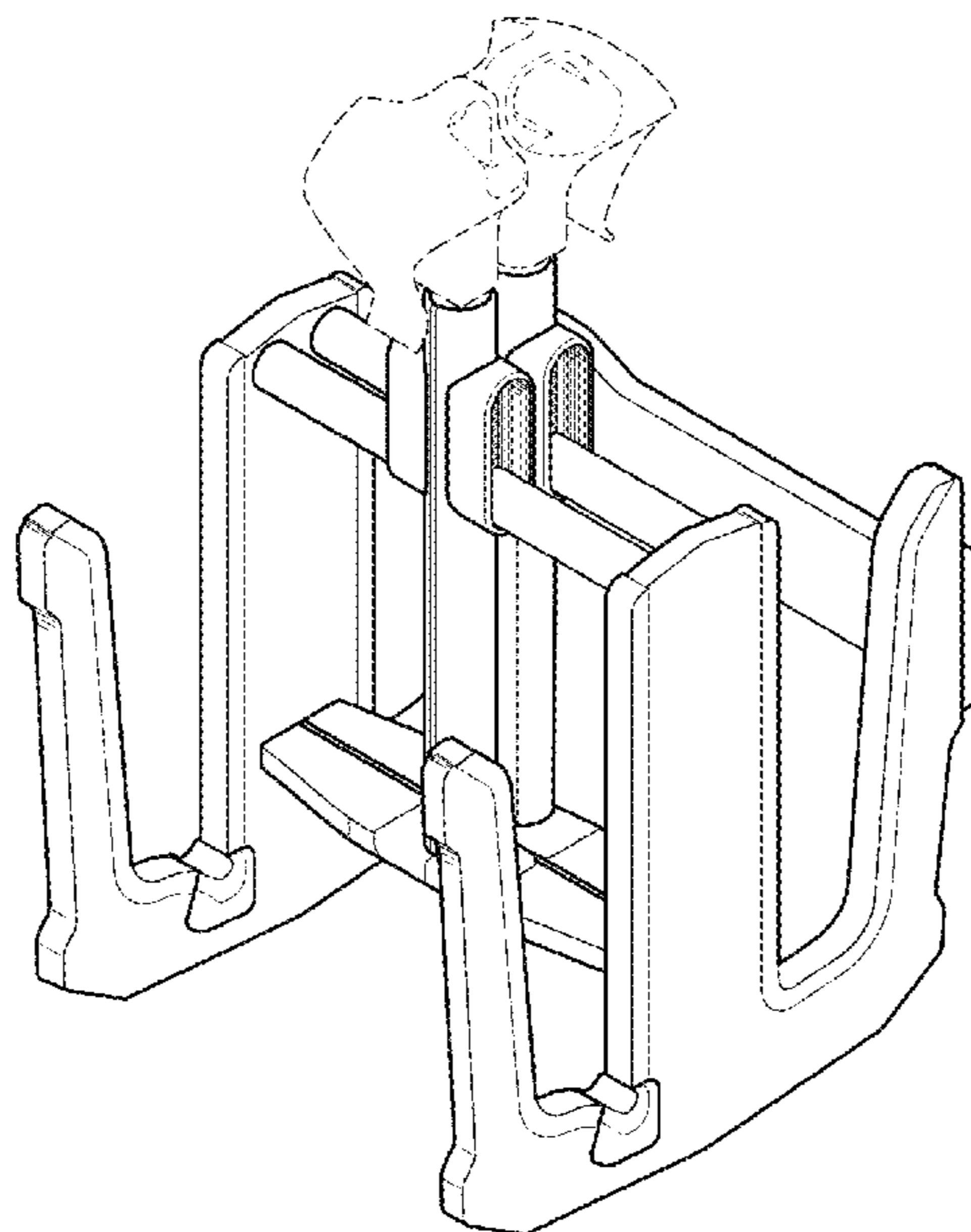
FIG. 8 illustrates a rear view of the telescopic storage device of FIG. 1.

FIG. 9 illustrates a bottom view of the telescopic storage device of FIG. 1; and,

FIG. 10 illustrates a top view of the telescopic storage device of FIG. 1.

In FIGS. 1-10, the features shown in broken lines are for environmental purposes only and form no part of the claimed design.

1 Claim, 10 Drawing Sheets



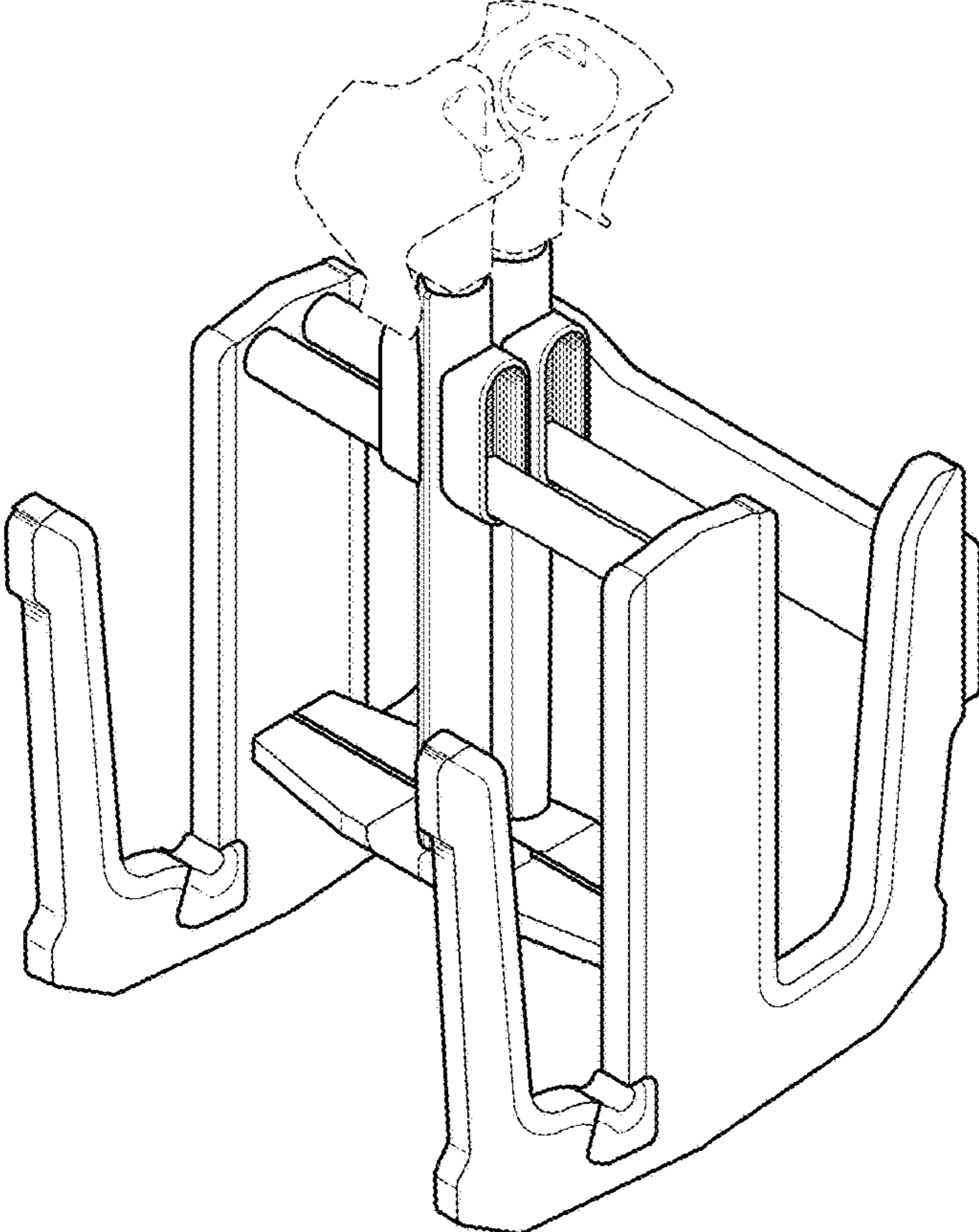


Fig. 1

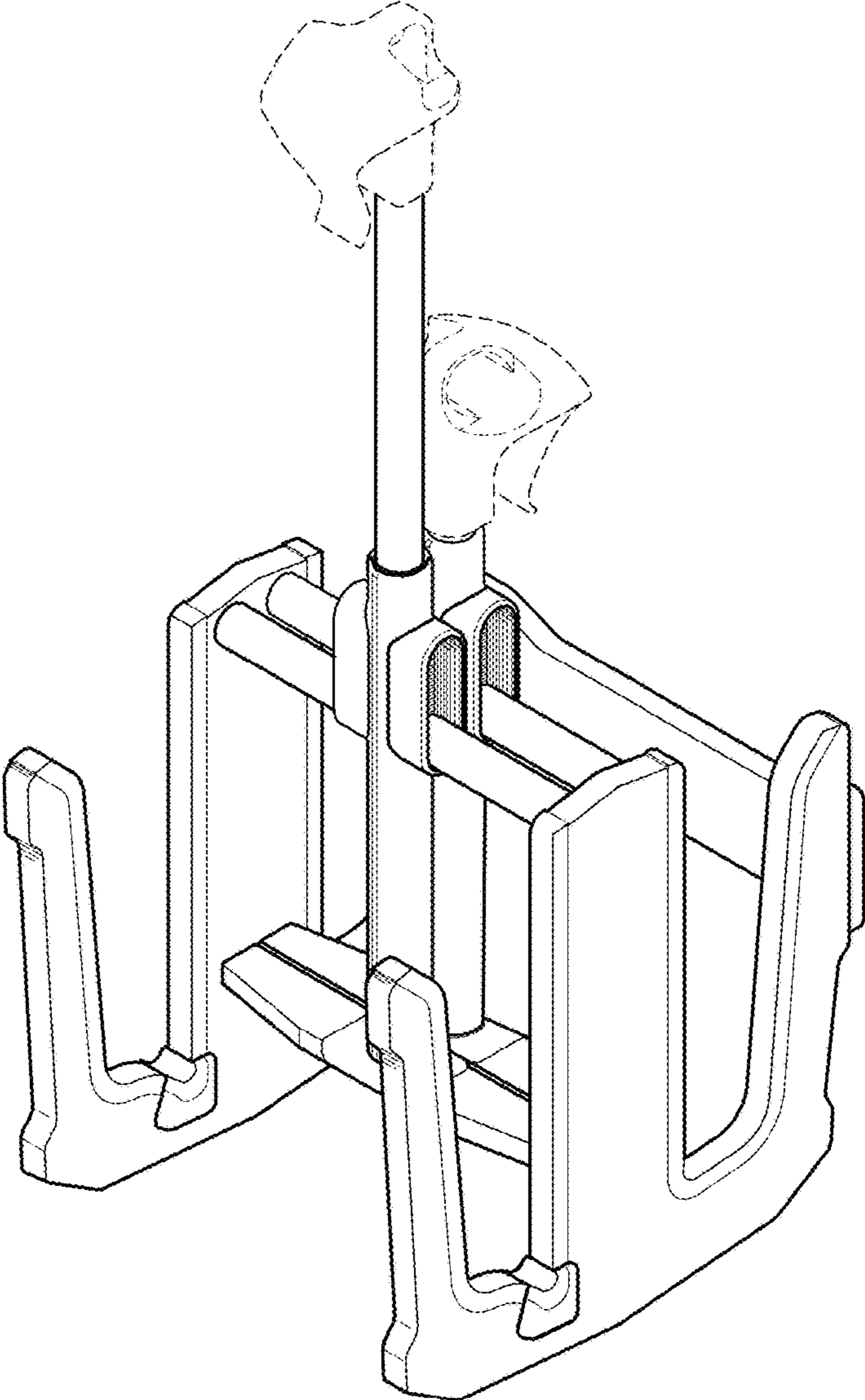


Fig. 2

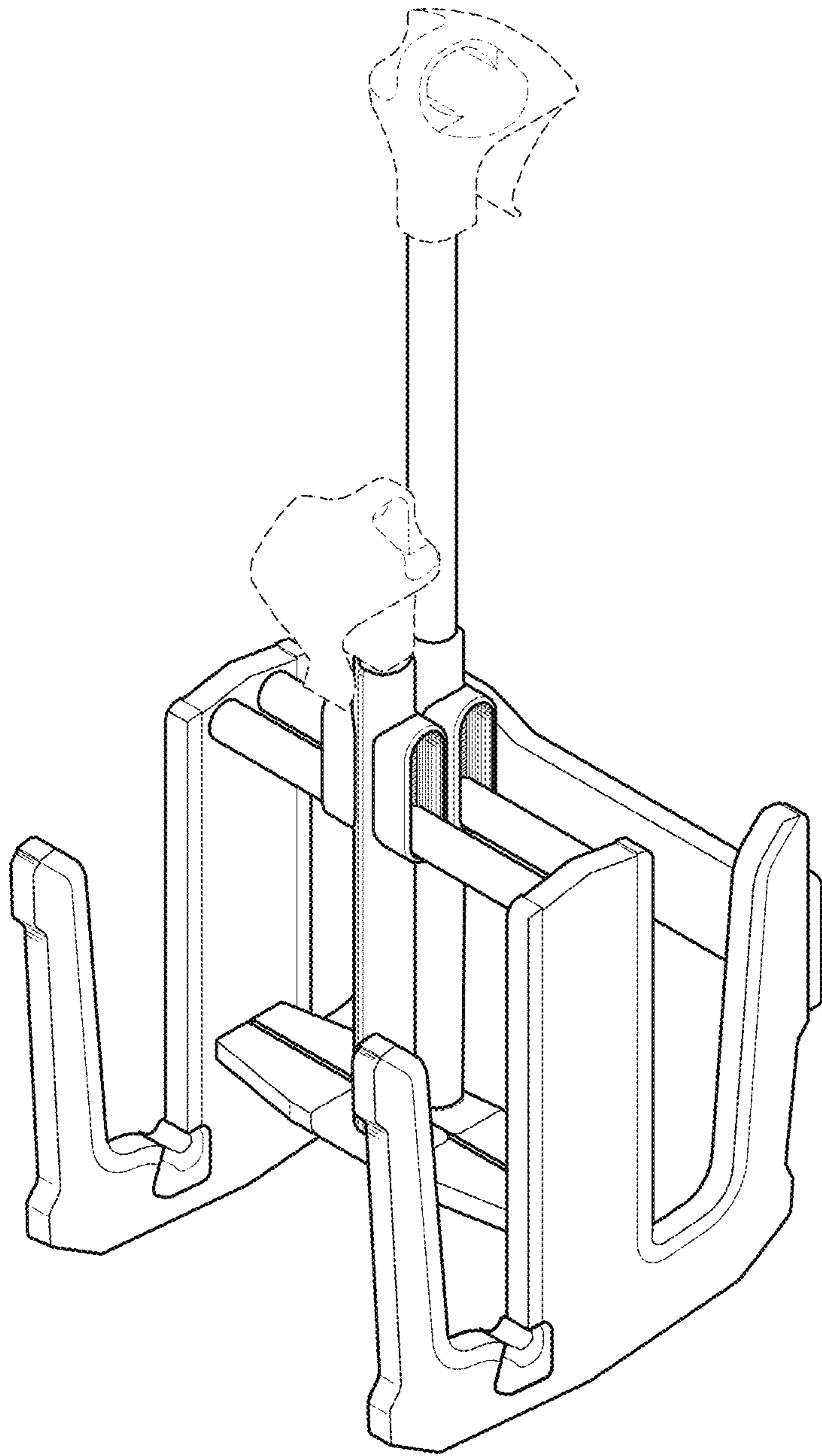


Fig. 3

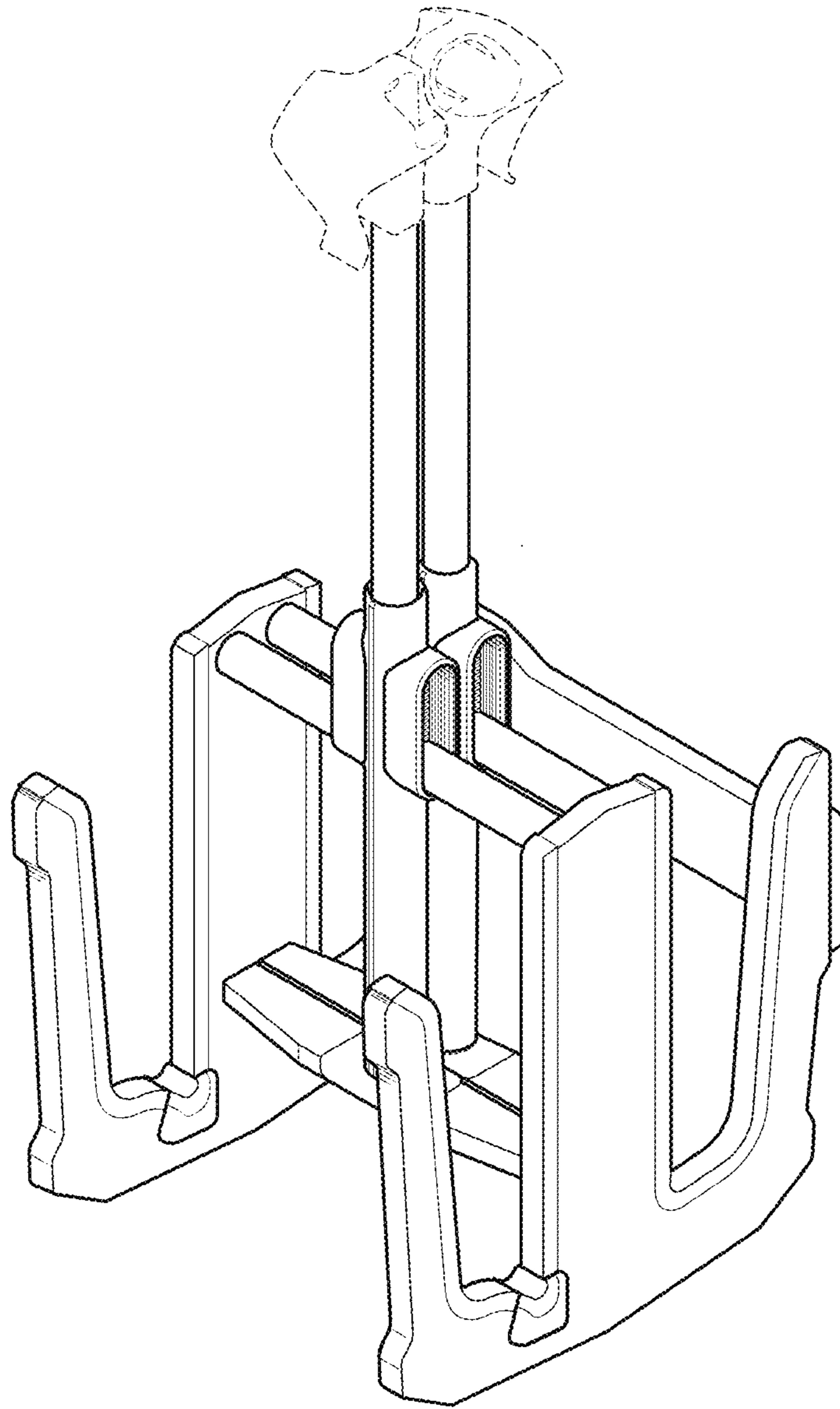


Fig. 4

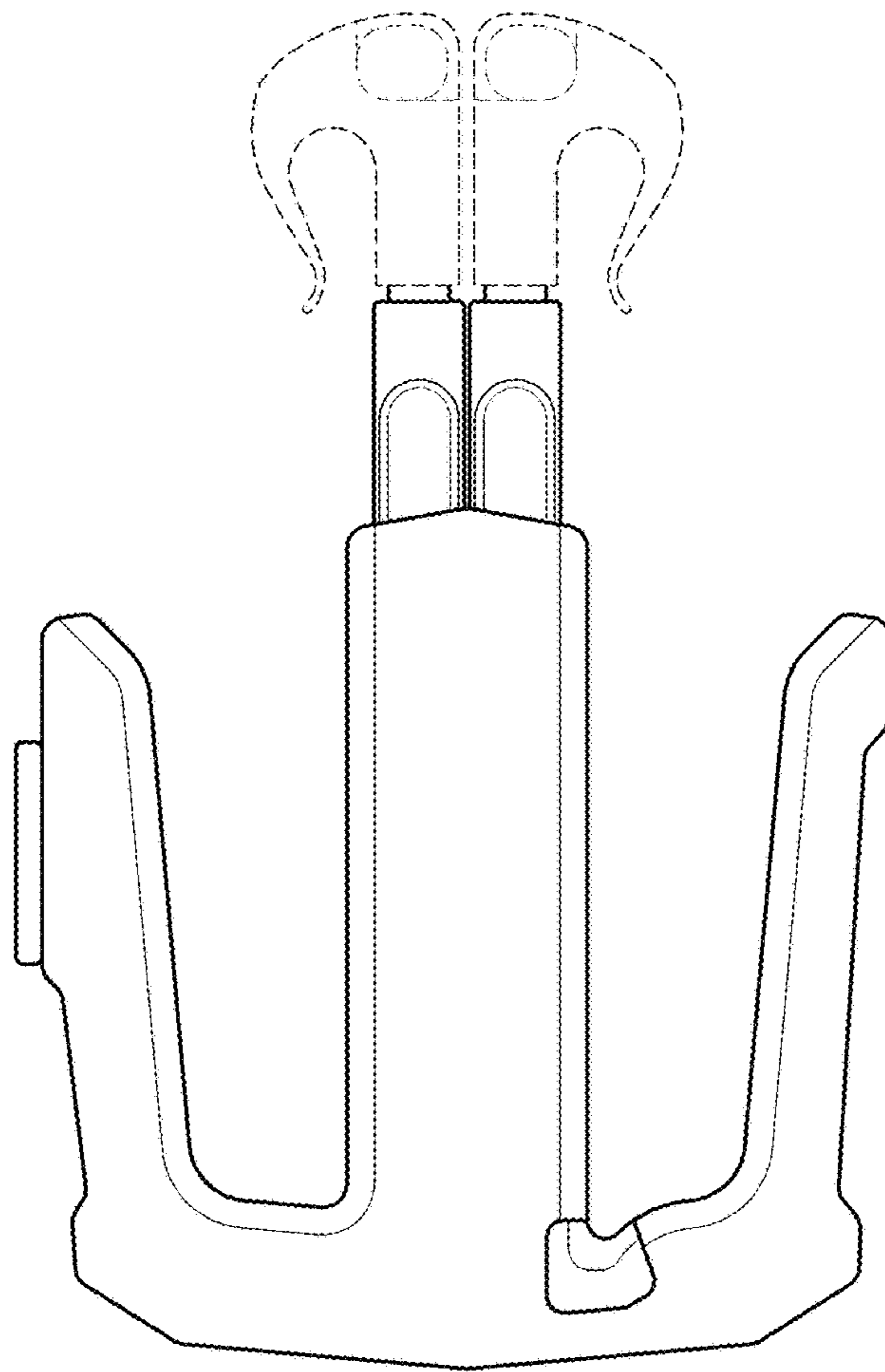


Fig. 5

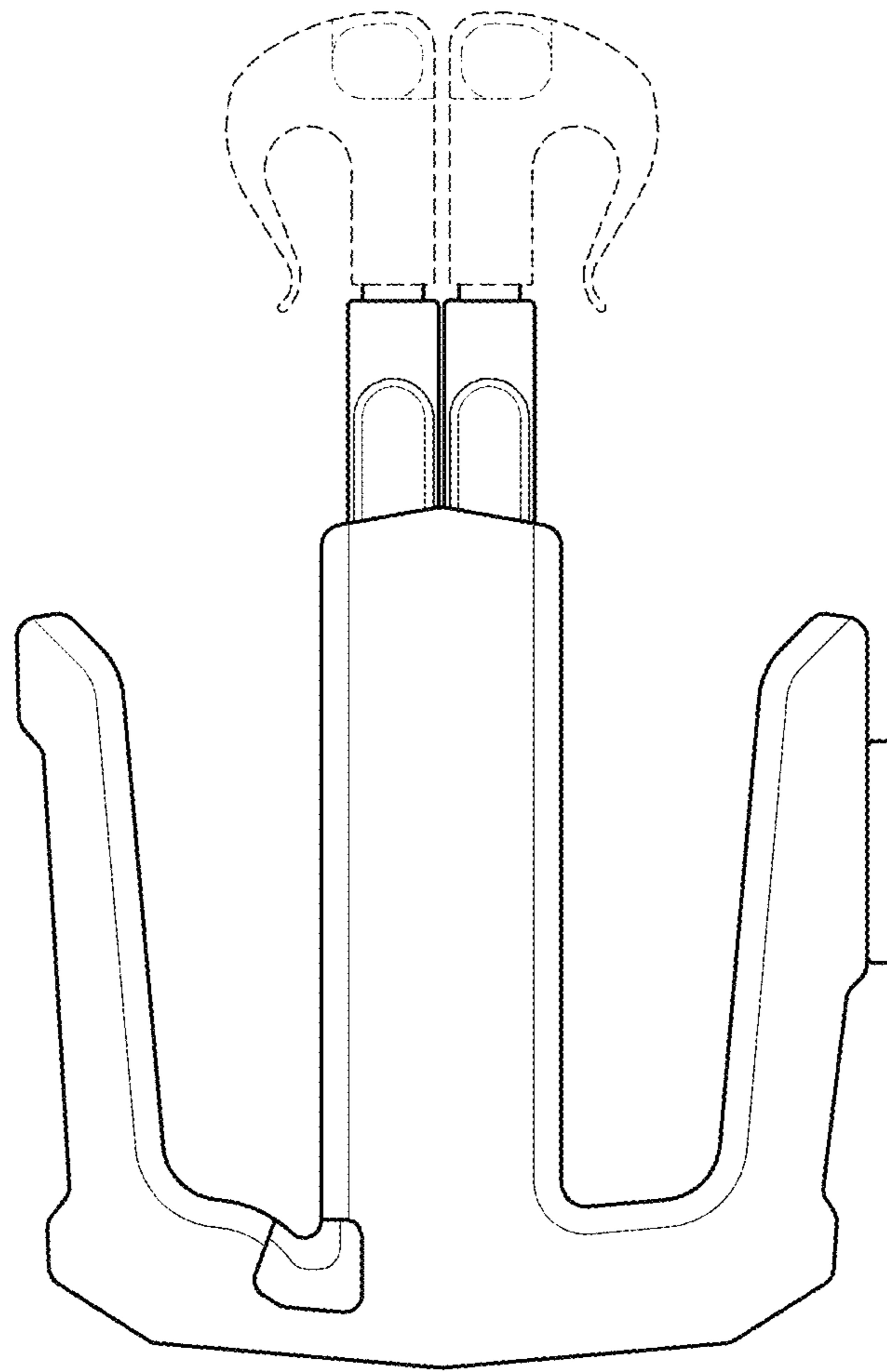


Fig. 6

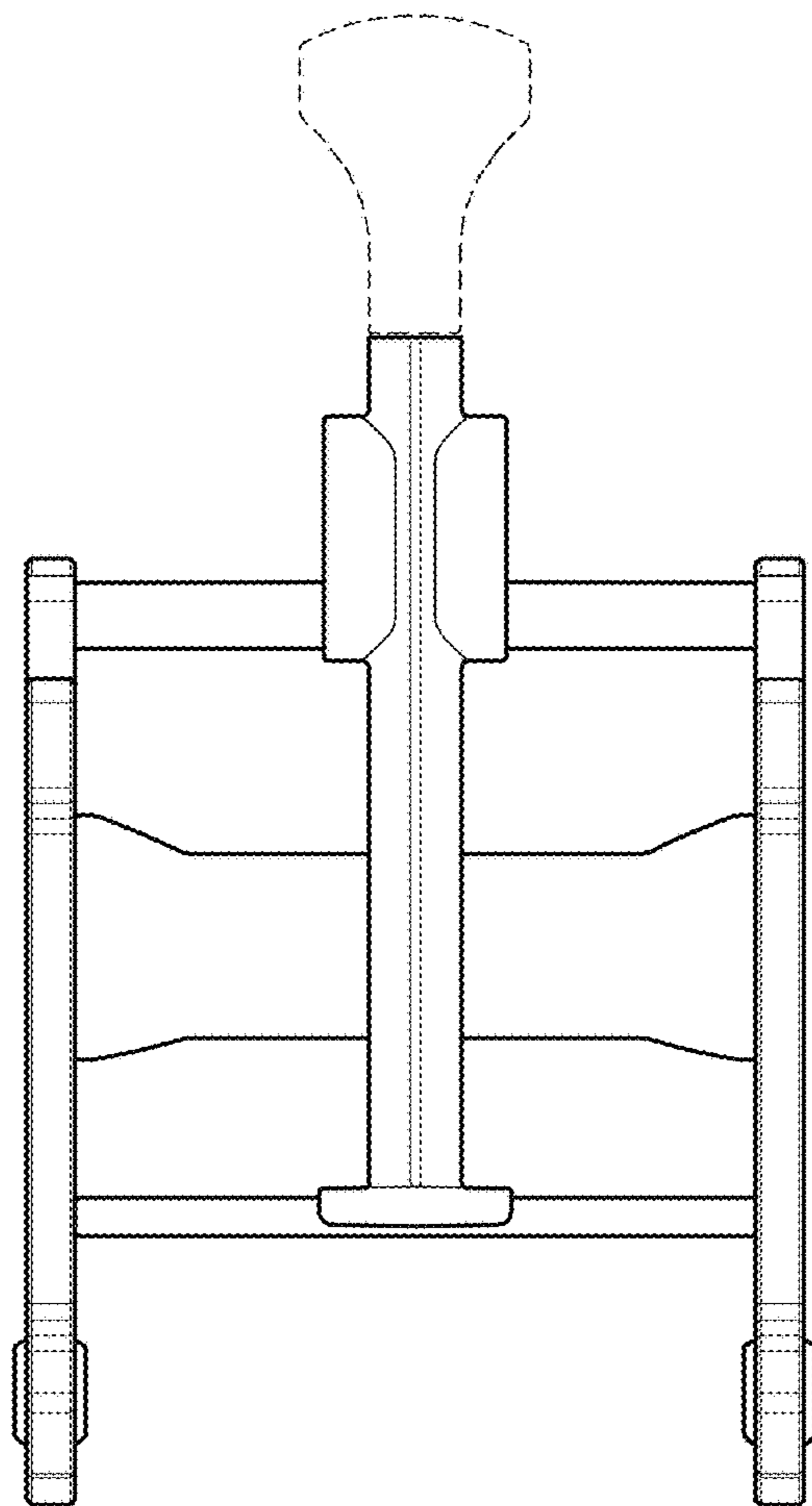


Fig. 7

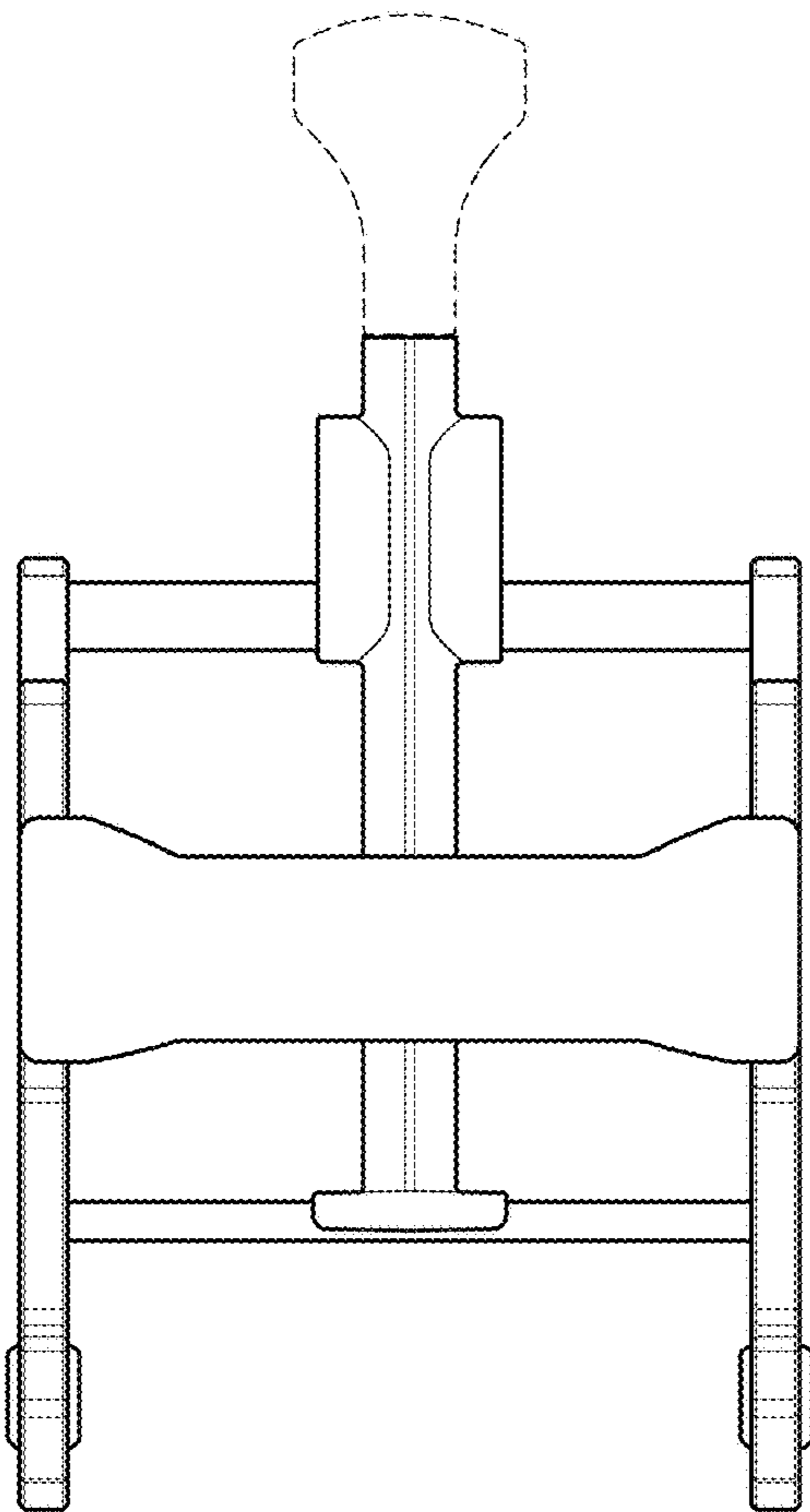


Fig. 8

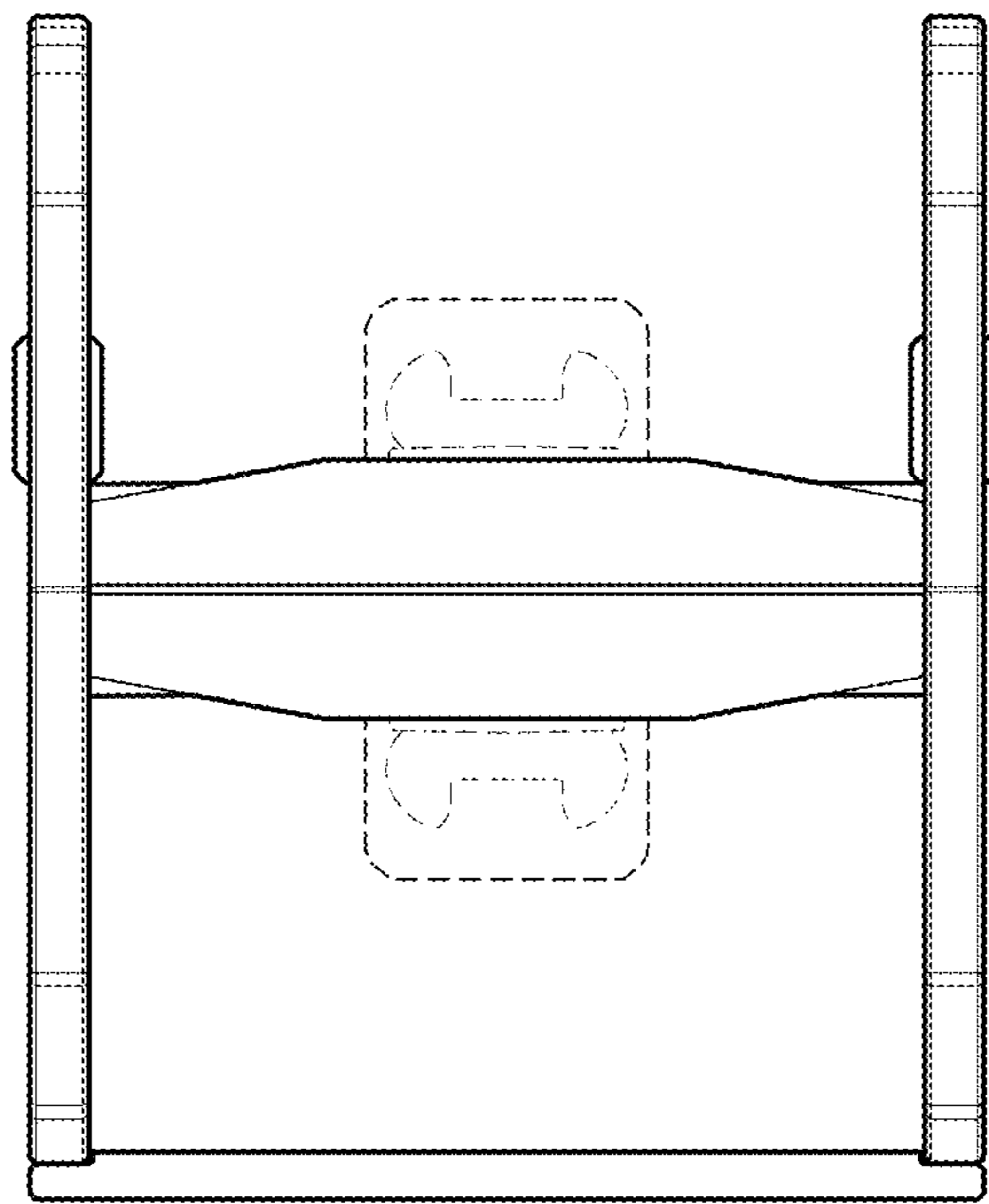


Fig. 9

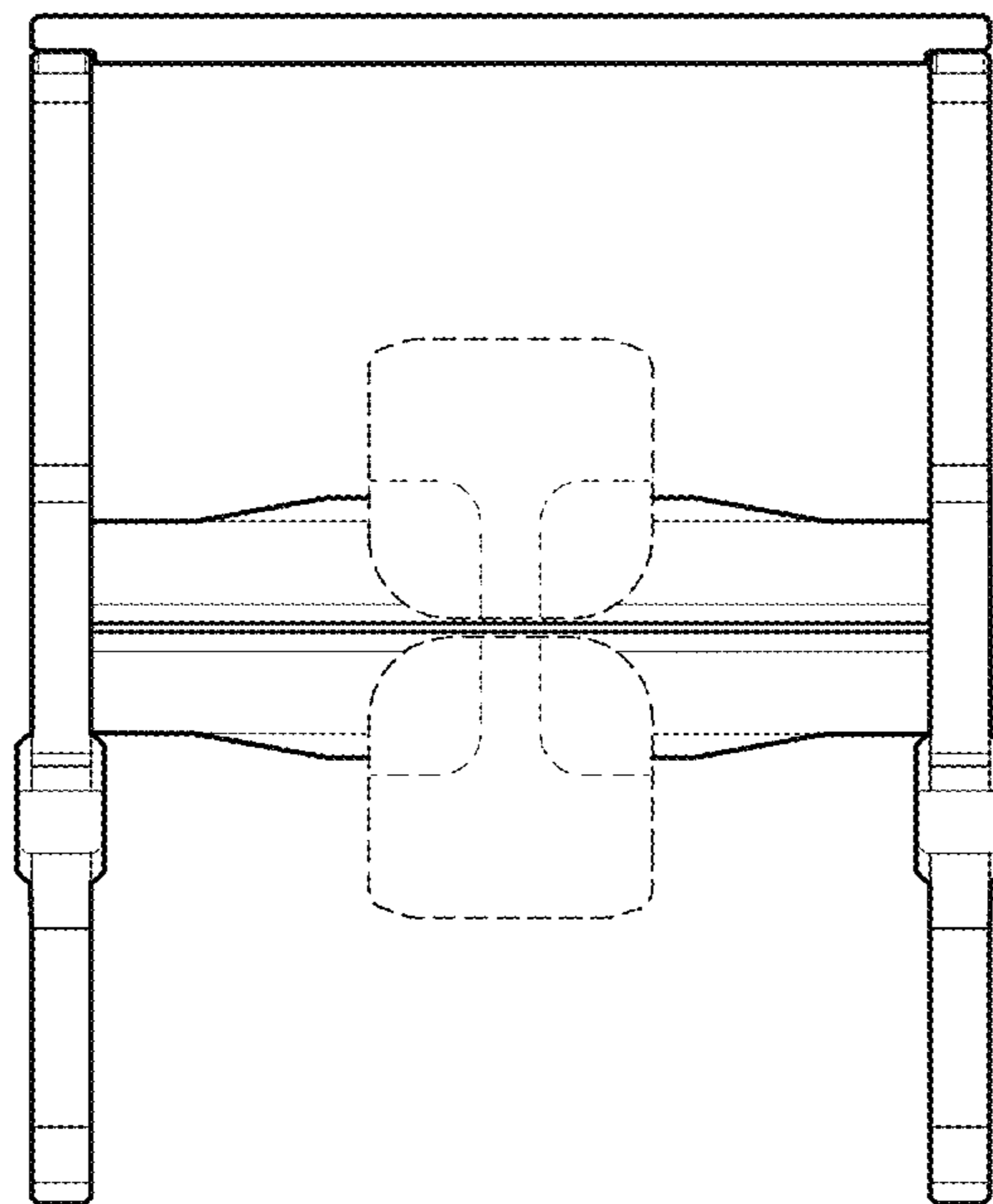


Fig. 10