



US00D801077S

(12) **United States Design Patent** (10) **Patent No.:** **US D801,077 S**
Stelmarski (45) **Date of Patent:** **** Oct. 31, 2017**

(54) **DISPENSER**

- (71) Applicant: **InterDesign, Inc.**, Solon, OH (US)
- (72) Inventor: **Brian Stelmarski**, Hudson, OH (US)
- (73) Assignee: **InterDesign, Inc.**, Solon, OH (US)
- (**) Term: **14 Years**
- (21) Appl. No.: **29/511,184**
- (22) Filed: **Dec. 8, 2014**

Related U.S. Application Data

- (63) Continuation-in-part of application No. 29/456,031, filed on May 28, 2013, now Pat. No. Des. 724,900, which is a continuation-in-part of application No. 29/444,254, filed on Jan. 29, 2013, now Pat. No. Des. 698,612, application No. 29/511,184, which is a continuation-in-part of application No. 14/513,474, filed on Oct. 14, 2014.
- (51) **LOC (10) Cl.** **23-02**
- (52) **U.S. Cl.**
USPC **D6/542**
- (58) **Field of Classification Search**
USPC D6/542, 543-545; D9/448, 449, 682, D9/688, 690, 691
CPC A47K 2005/1218; A47K 5/12; A47K 5/1205; A47K 5/1211; A47K 5/14; A47K 5/1202; A47K 2210/00; A47K 5/1215; A47K 5/1204; A47K 7/028; B05B 11/3001; B05B 11/0037; B05B 11/3014; B05B 11/3047; B05B 9/085
See application file for complete search history.

(56) **References Cited**

U.S. PATENT DOCUMENTS

D477,991 S *	8/2003	Dretzka	D6/542
D530,954 S *	10/2006	Snell	D6/542
D554,410 S *	11/2007	Snell	D6/542
D599,599 S *	9/2009	Ghiorghie	D6/542
D619,397 S *	7/2010	Snell	D6/542

* cited by examiner

Primary Examiner — Wan Laymon
Assistant Examiner — Mark Booker
 (74) *Attorney, Agent, or Firm* — Calfee, Halter & Griswold, LLP

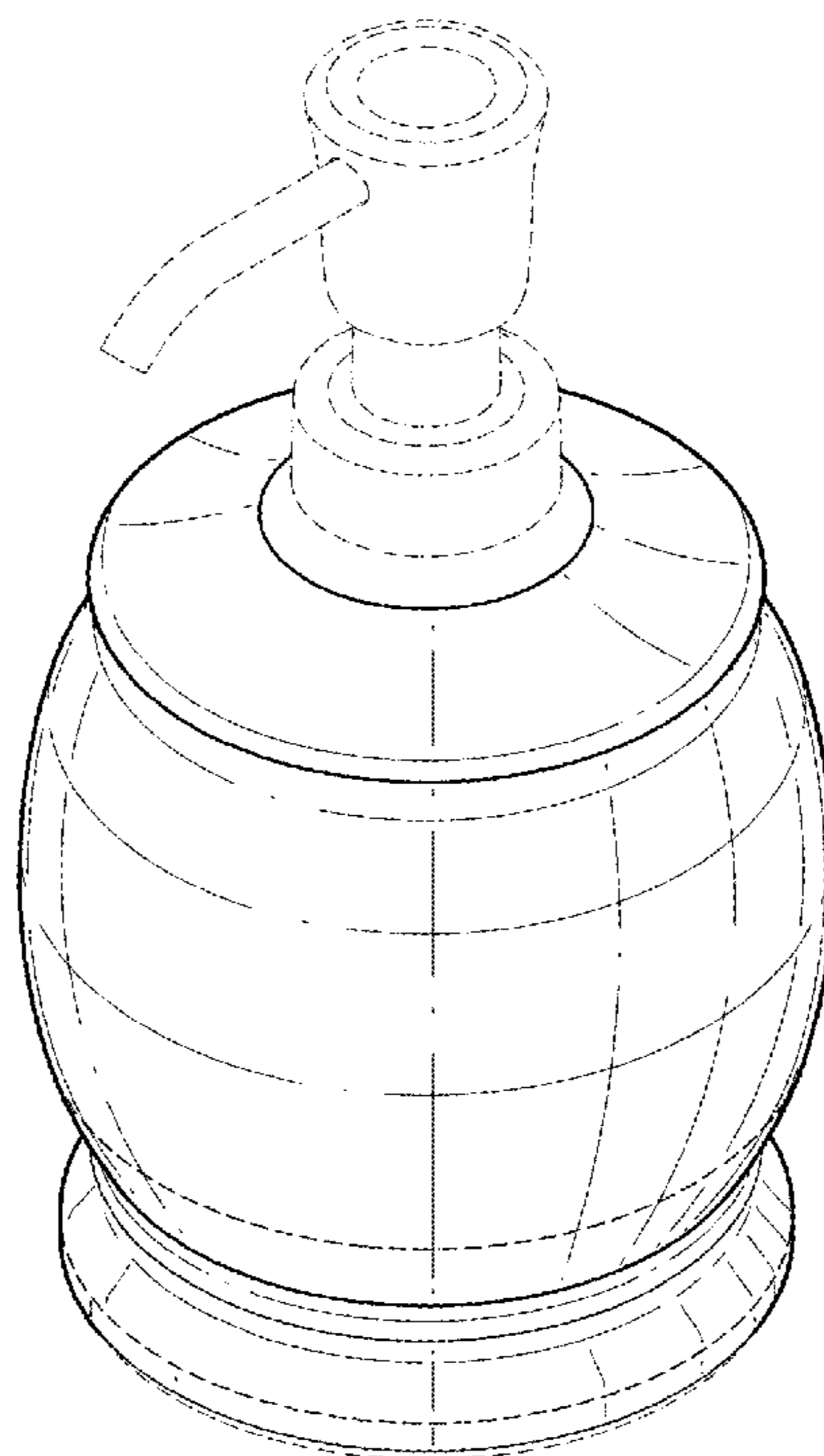
(57) **CLAIM**

I claim the ornamental design for a dispenser, as shown and described.

DESCRIPTION

FIG. 1 is a front/right/top perspective view of a holder (a front/left/top perspective view would be a mirror image thereof);
 FIG. 2 is a rear/right/bottom perspective view thereof (a rear/left/bottom perspective view would be a mirror image thereof);
 FIG. 3 is a right side elevational view thereof (a left side elevational view would be a mirror image thereof); and,
 FIG. 4 is a top plan view thereof.
 The broken lines shown in the figures represent portions of the dispenser that form no part of the claimed design.

1 Claim, 4 Drawing Sheets



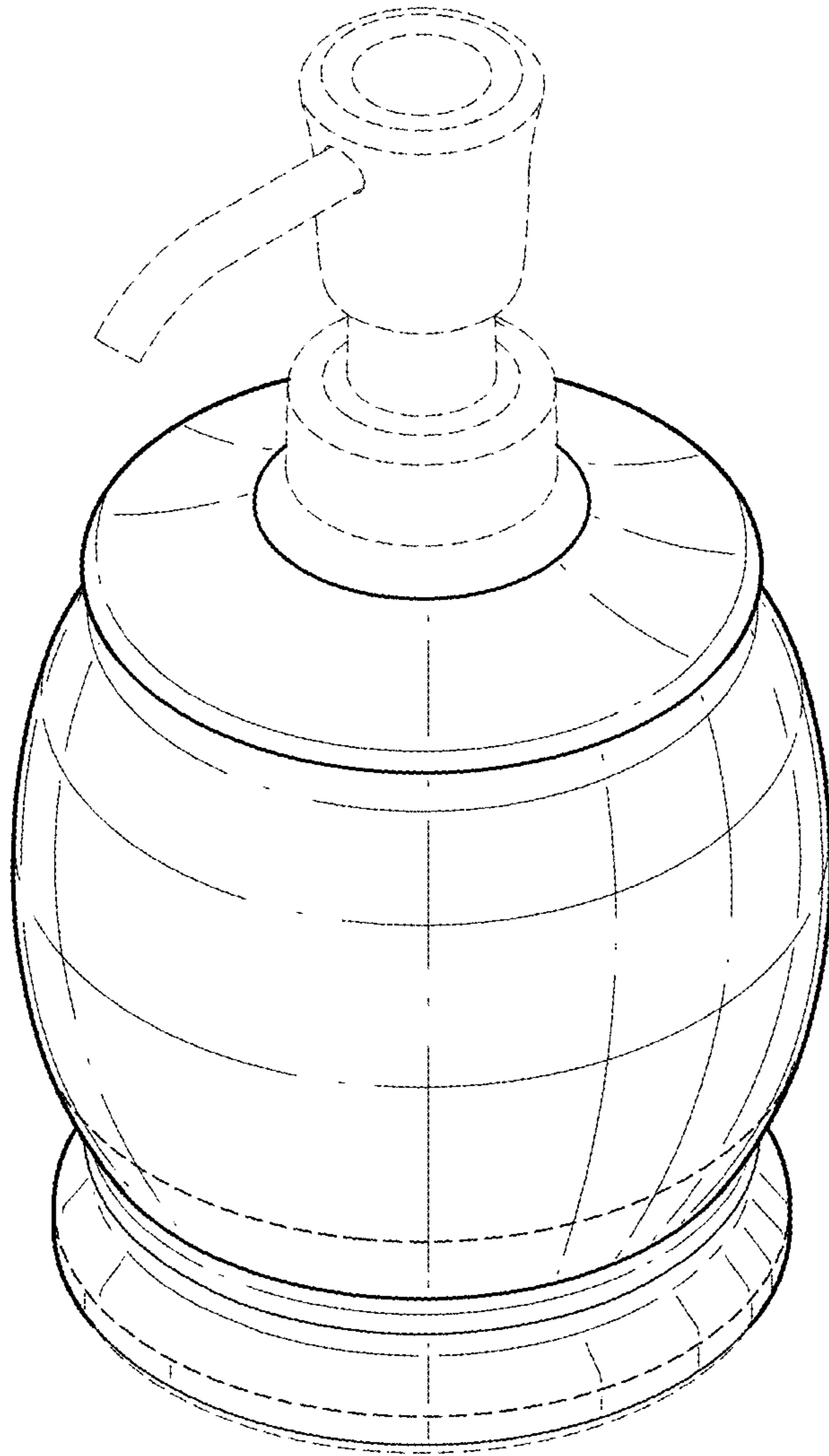


FIG. 1

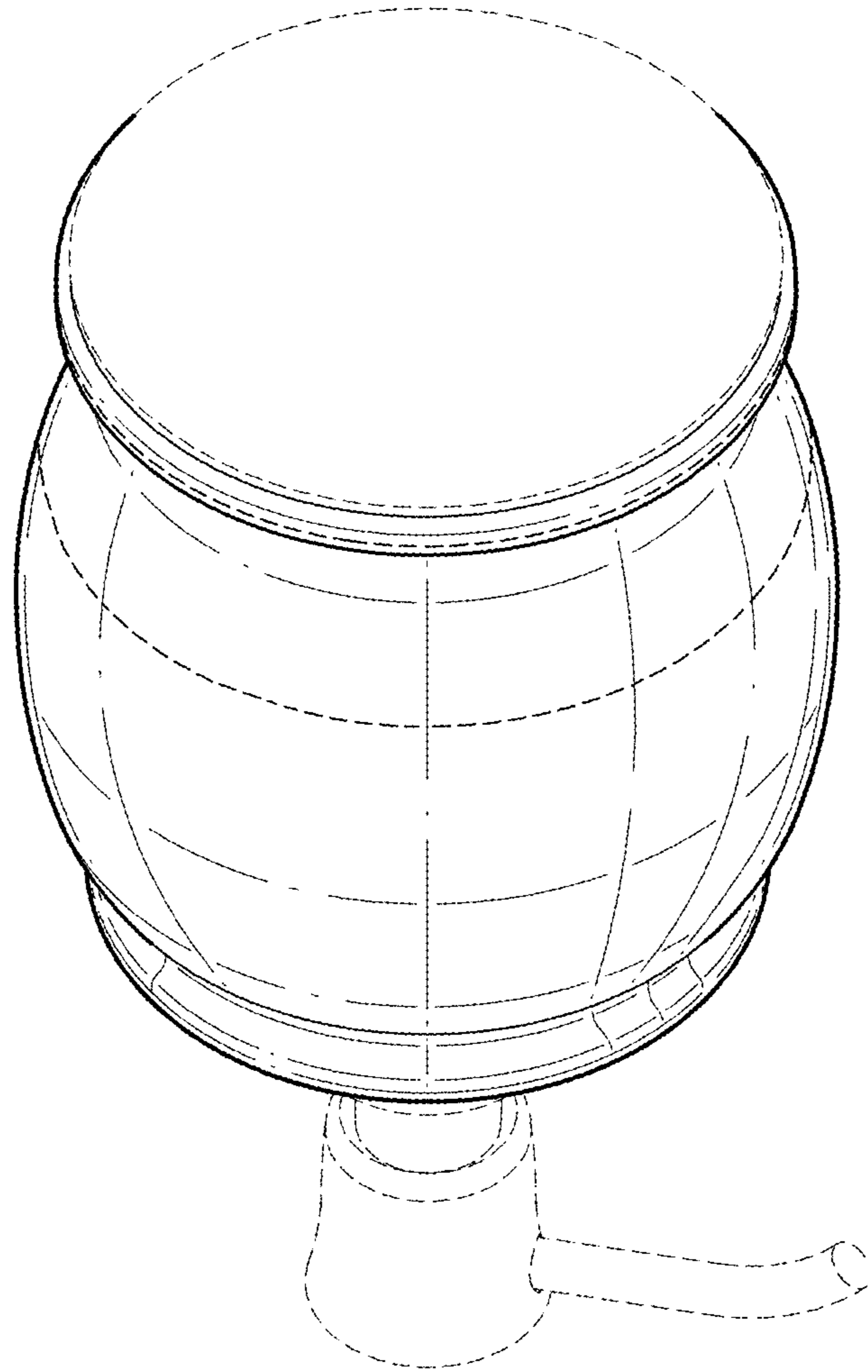


FIG. 2

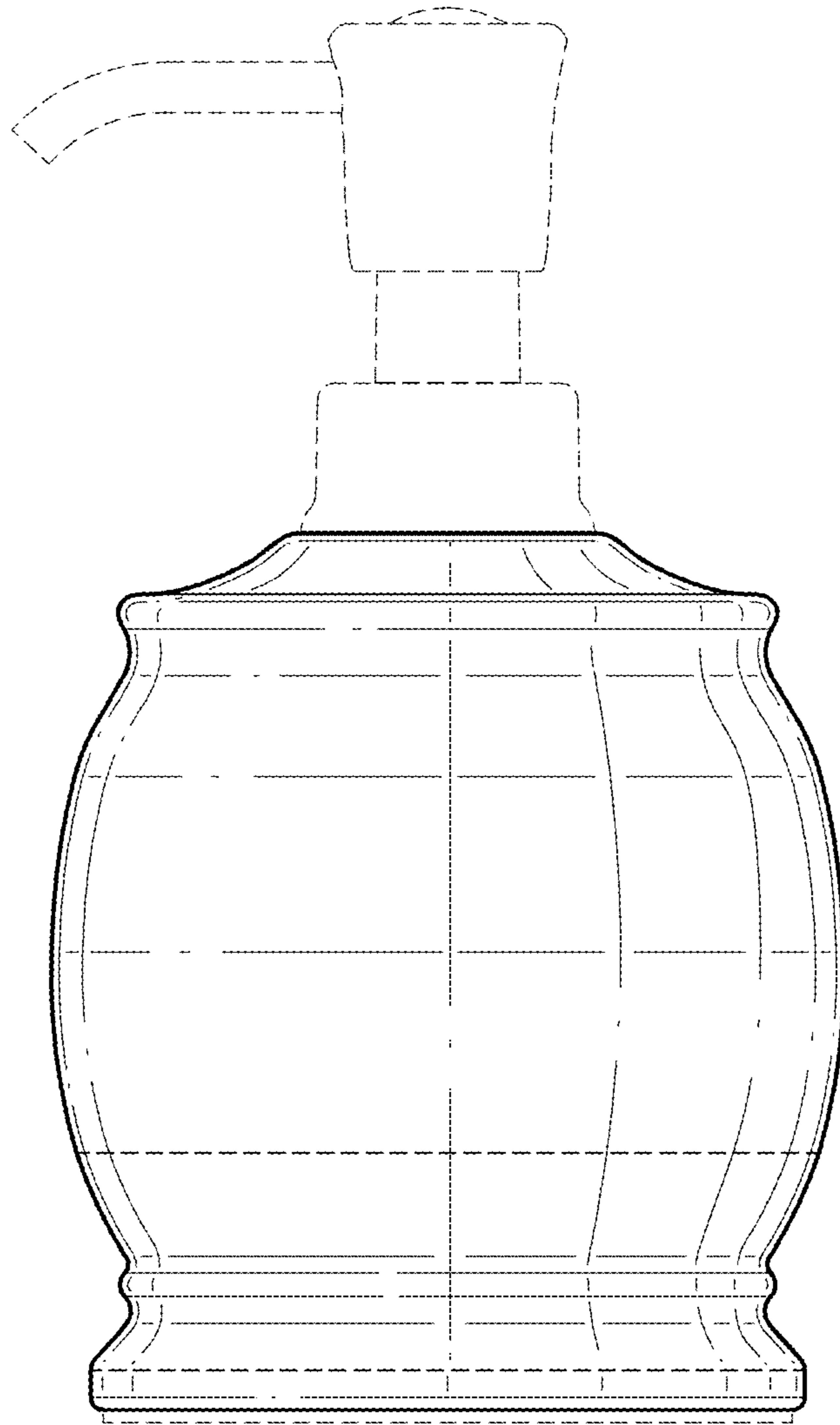


FIG. 3

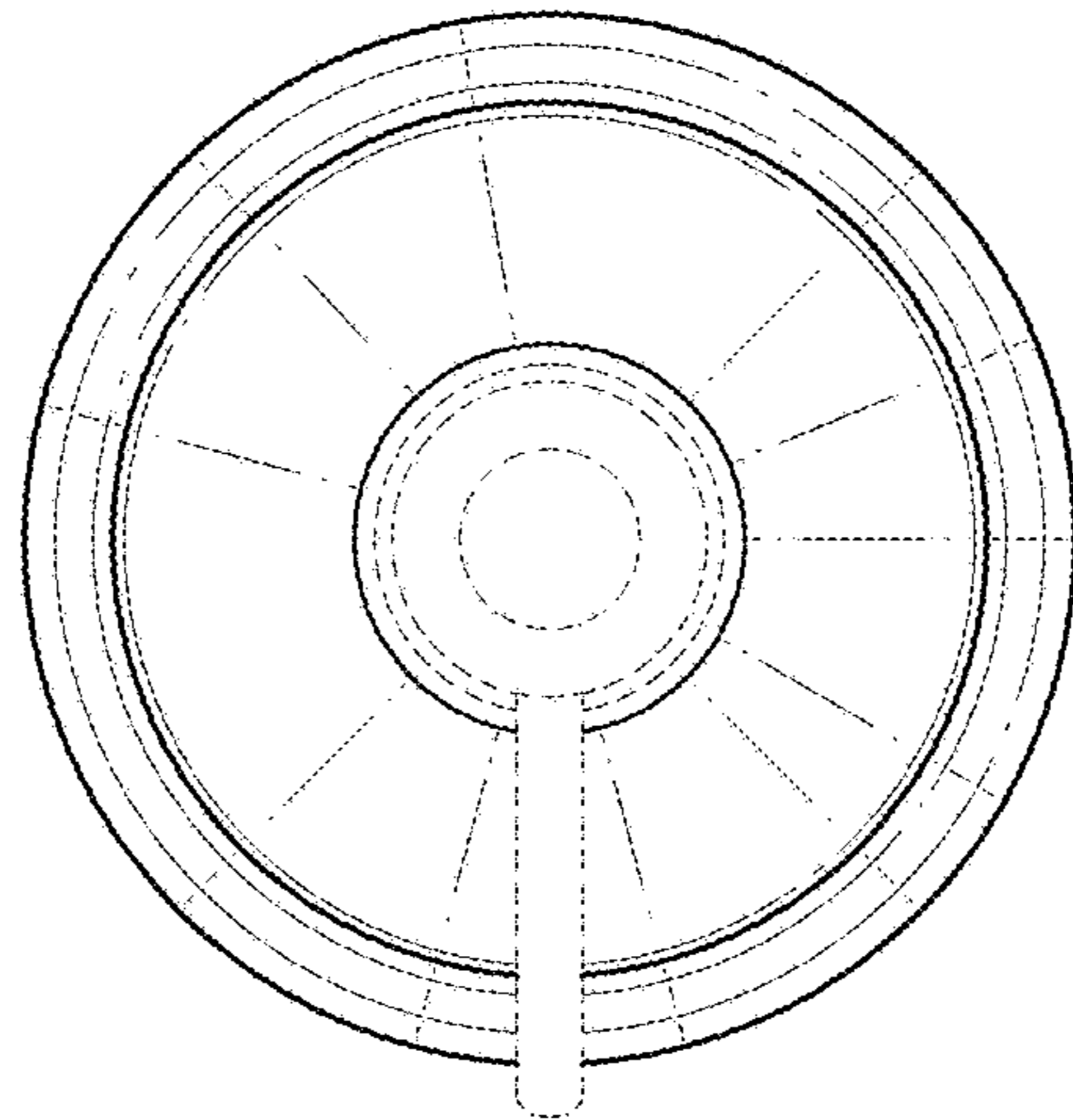


FIG. 4