



US00D801076S

(12) **United States Design Patent** (10) **Patent No.:** **US D801,076 S**
Jack (45) **Date of Patent:** **** Oct. 31, 2017**

(54) **PRODUCT CADDY**

(71) Applicant: **R2 Design Lab, Inc.**, Schaumburg, IL (US)

(72) Inventor: **Robert C. Jack**, Schaumburg, IL (US)

(73) Assignee: **R2 Design Lab, Inc.**, Schaumburg, IL (US)

(**) Term: **15 Years**

(21) Appl. No.: **29/580,369**

(22) Filed: **Oct. 7, 2016**

(51) **LOC (10) Cl.** **03-02**

(52) **U.S. Cl.**
USPC **D6/525**

(58) **Field of Classification Search**
USPC D6/525, 329, 397, 524, 562; D3/308, D3/309, 315, 313; D7/500, 505, 555, D7/601, 637, 701; D11/131, 143, 146, D11/152; D19/77, 73; 47/41.1, 65.5, 47/66.1, 66.6, 66.7, 69; 206/234, 349, 206/372, 373; 211/13.1, 69.1, 62, 70.6, 211/70.7, 119.011; 224/904
CPC . A47K 3/004; A47K 5/00; A47K 5/03; A01K 97/04; A01K 5/0114; B65D 81/365; B65D 85/00; A47B 13/16
See application file for complete search history.

(56) **References Cited**

U.S. PATENT DOCUMENTS

D364,039 S	*	11/1995	Kruger	D3/315
D375,200 S	*	11/1996	Nugent	D3/313
D619,656 S	*	7/2010	Trombly	D19/77
D663,982 S	*	7/2012	Purcell	D6/525
D767,279 S	*	9/2016	Gummo	D3/315

* cited by examiner

Primary Examiner — Wan Laymon

Assistant Examiner — Mark Booker

(74) *Attorney, Agent, or Firm* — Thomas E. Williams; Neal, Gerber & Eisenberg LLP

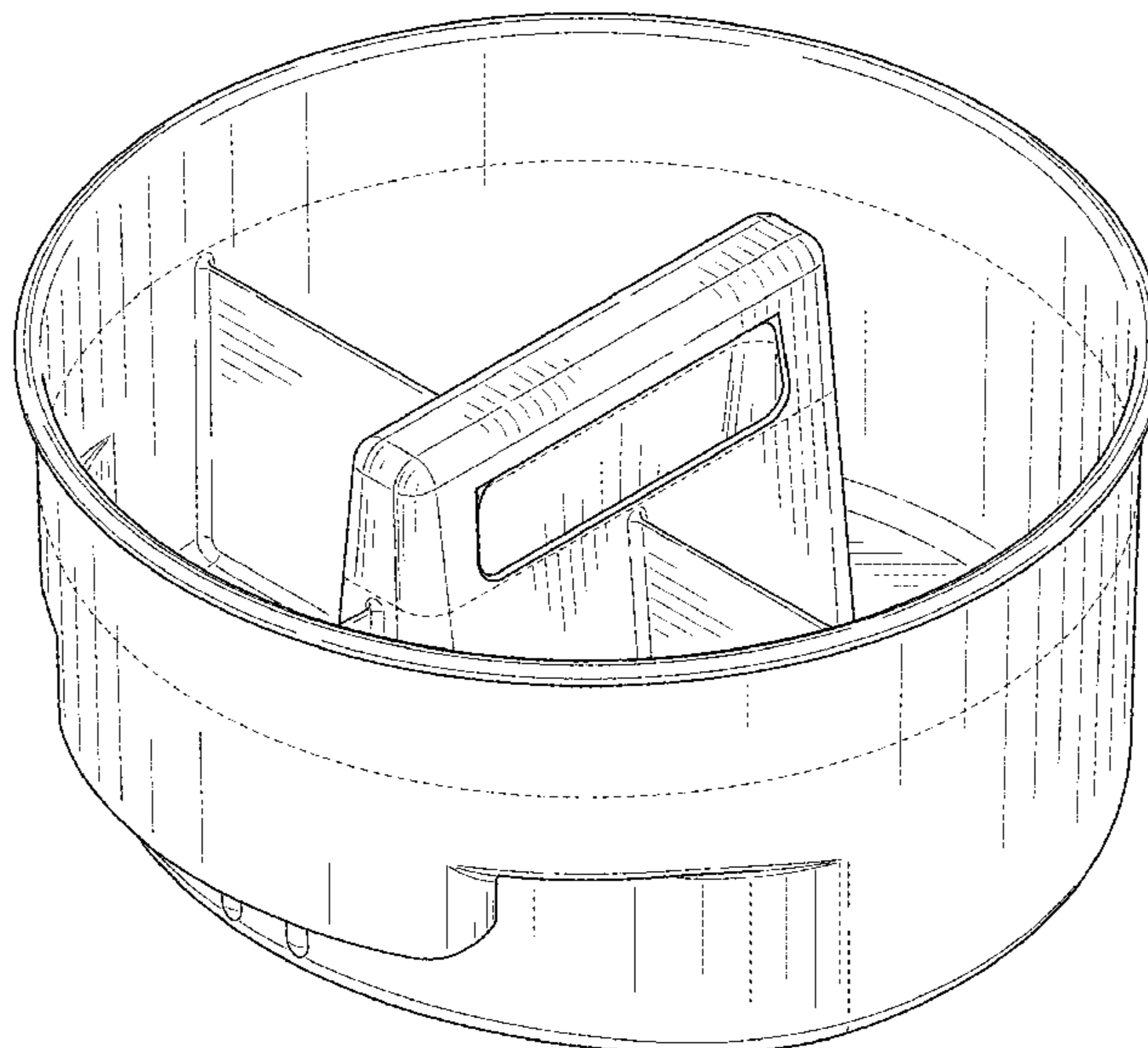
(57) **CLAIM**

The ornamental design for a product caddy, as shown and described.

DESCRIPTION

FIG. 1 is a top perspective of a product caddy in accordance with the present disclosure;
FIG. 2 is another top perspective view of a product caddy in accordance with the present disclosure;
FIG. 3 is a bottom perspective view of a product caddy in accordance with the present disclosure;
FIG. 4 is a front view of a product caddy in accordance with the present disclosure;
FIG. 5 is a rear view of a product caddy in accordance with the present disclosure;
FIG. 6 is a right side view of a product caddy in accordance with the present disclosure; and
FIG. 7 is a left side view of a product caddy in accordance with the present disclosure.
FIG. 8 is a top plan view of a product caddy in accordance with the present disclosure.
FIG. 9 is a bottom plan view of a product caddy in accordance with the present disclosure.
FIG. 10 is a cross section view of a product caddy in accordance with the present disclosure taken along line 10-10 of FIG. 8; and,
FIG. 11 is another cross section view of a product caddy in accordance with the present disclosure taken along line 11-11 of FIG. 9.
The broken lines shown in the figures represent portions of the product caddy that form no part of the claimed design.

1 Claim, 9 Drawing Sheets



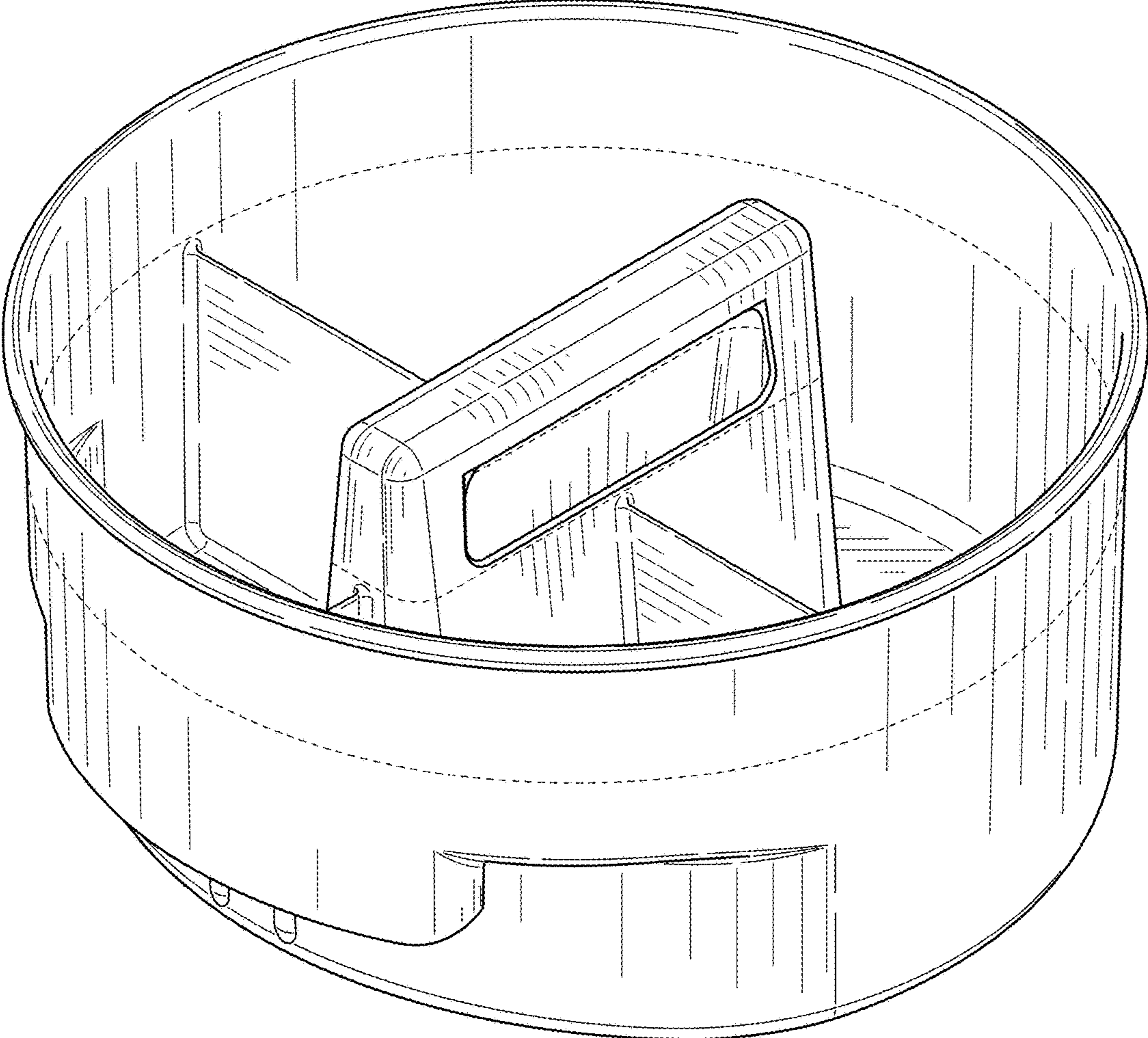


FIG. 1

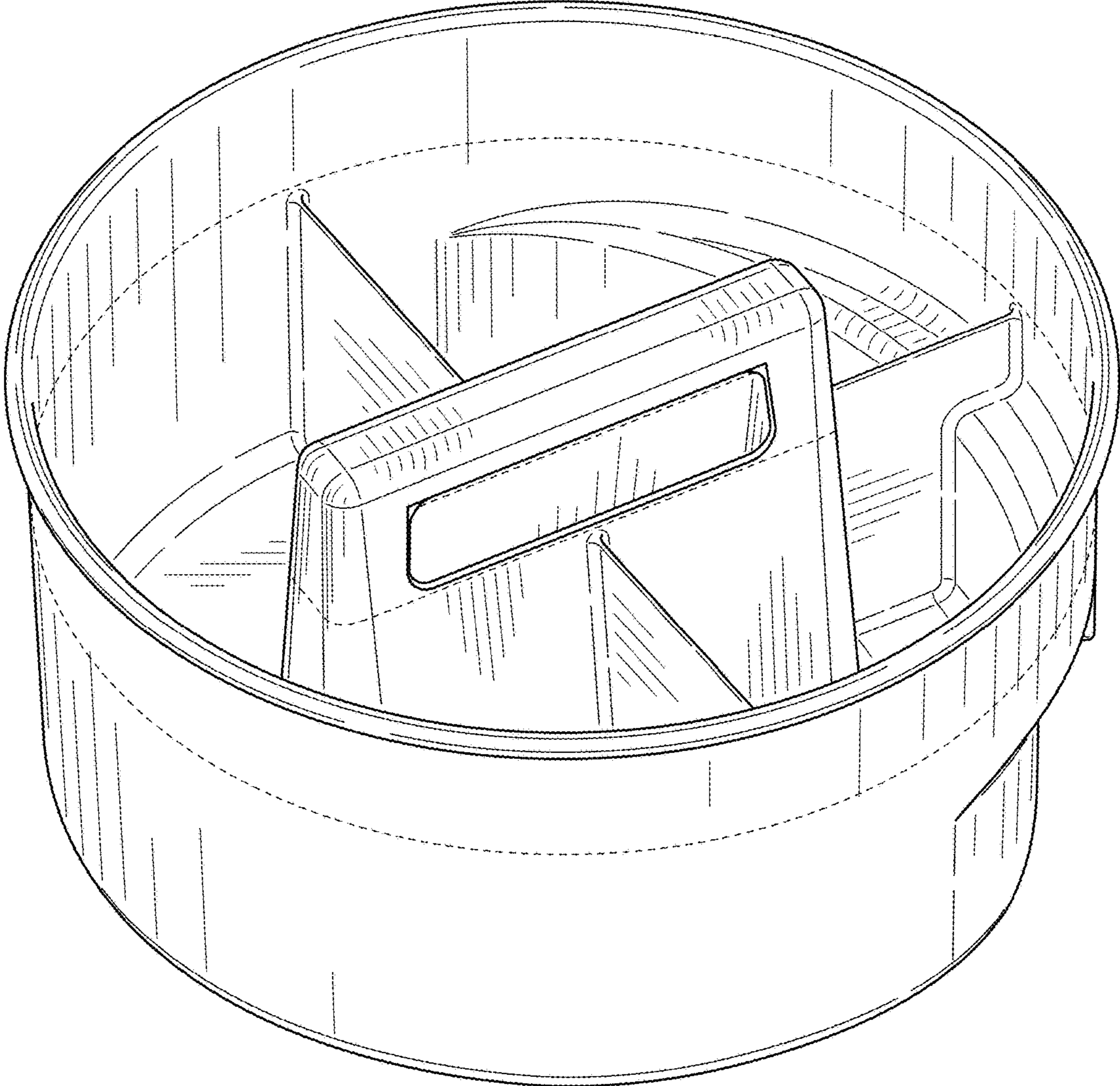


FIG. 2

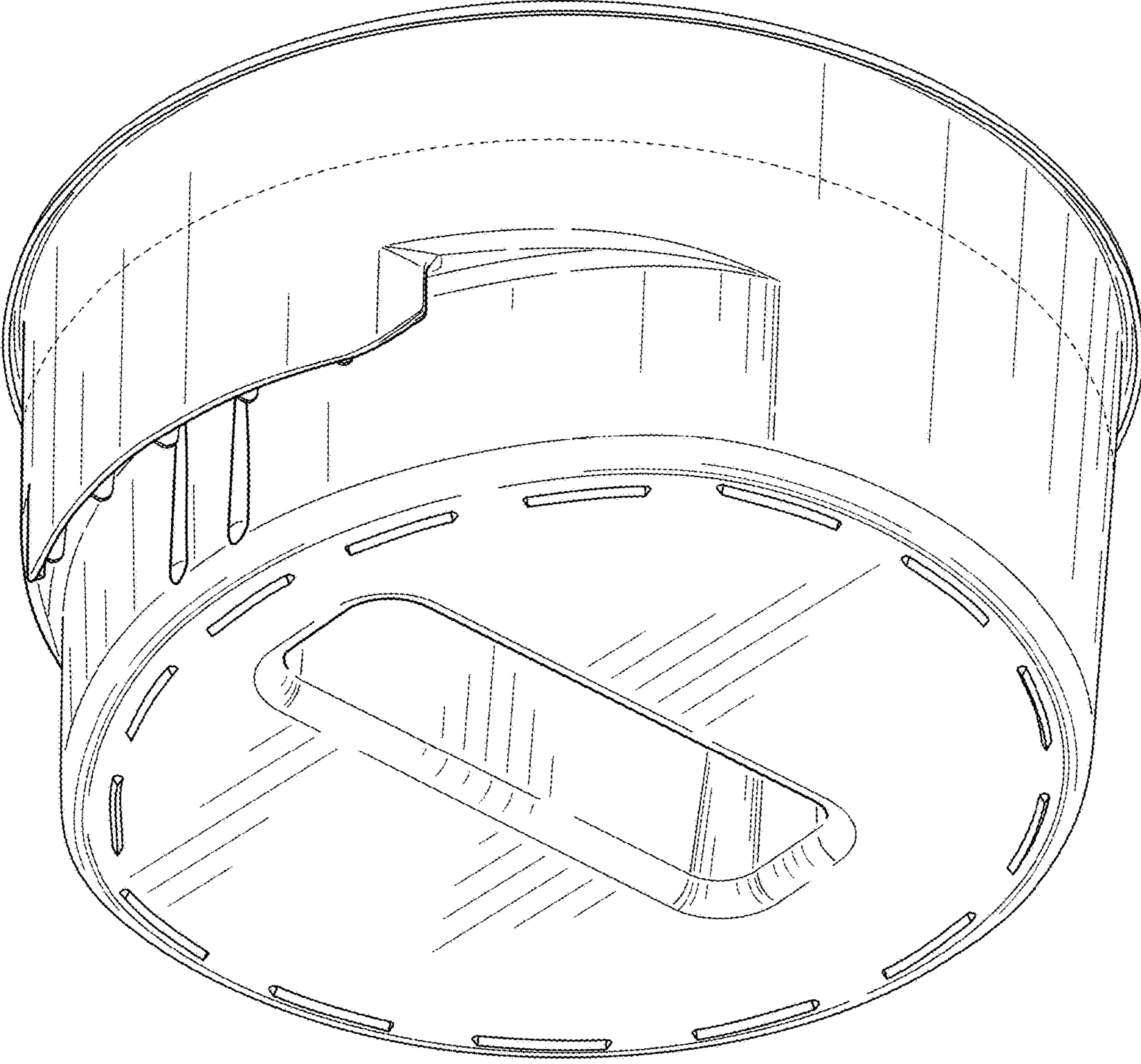


FIG. 3

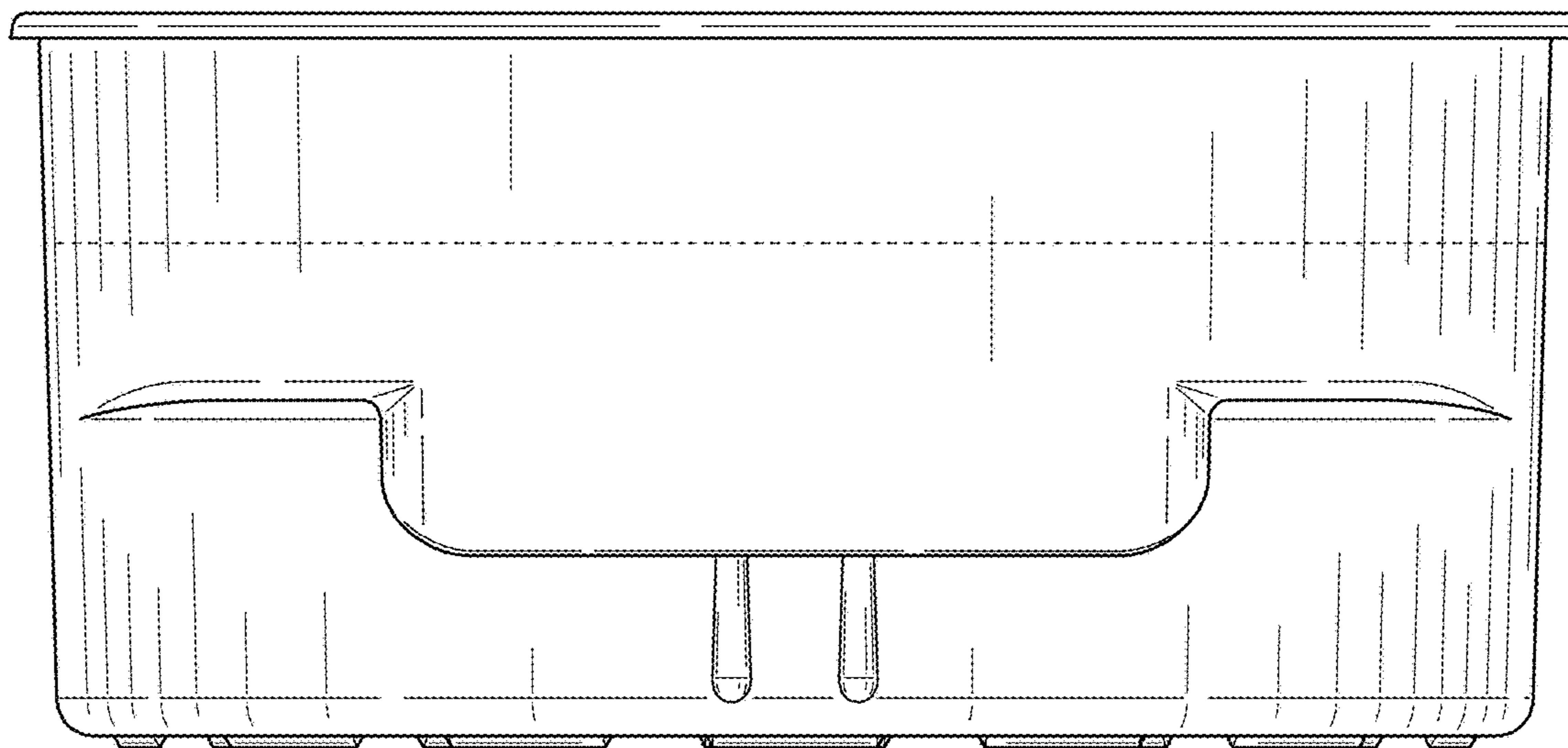


FIG. 4

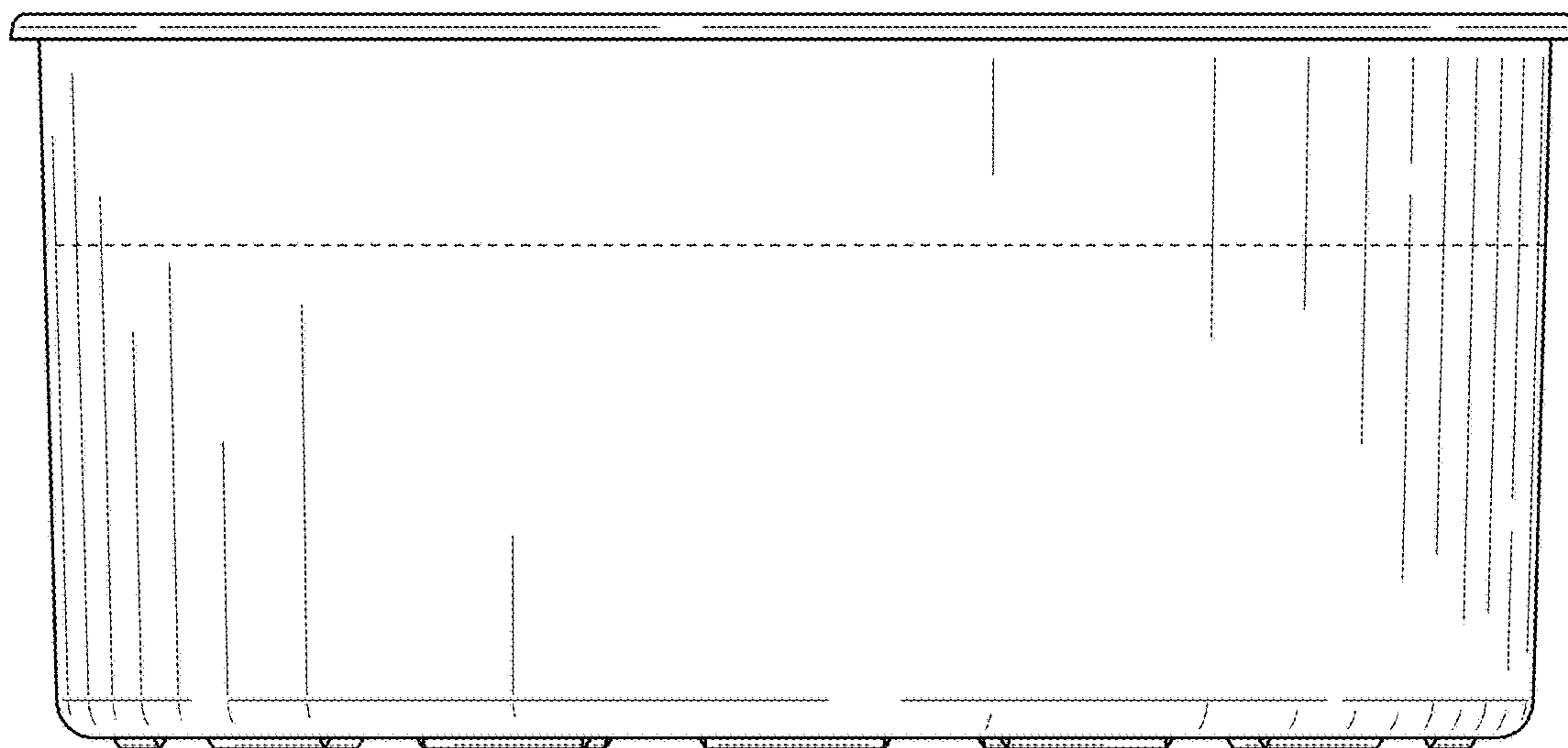


FIG. 5

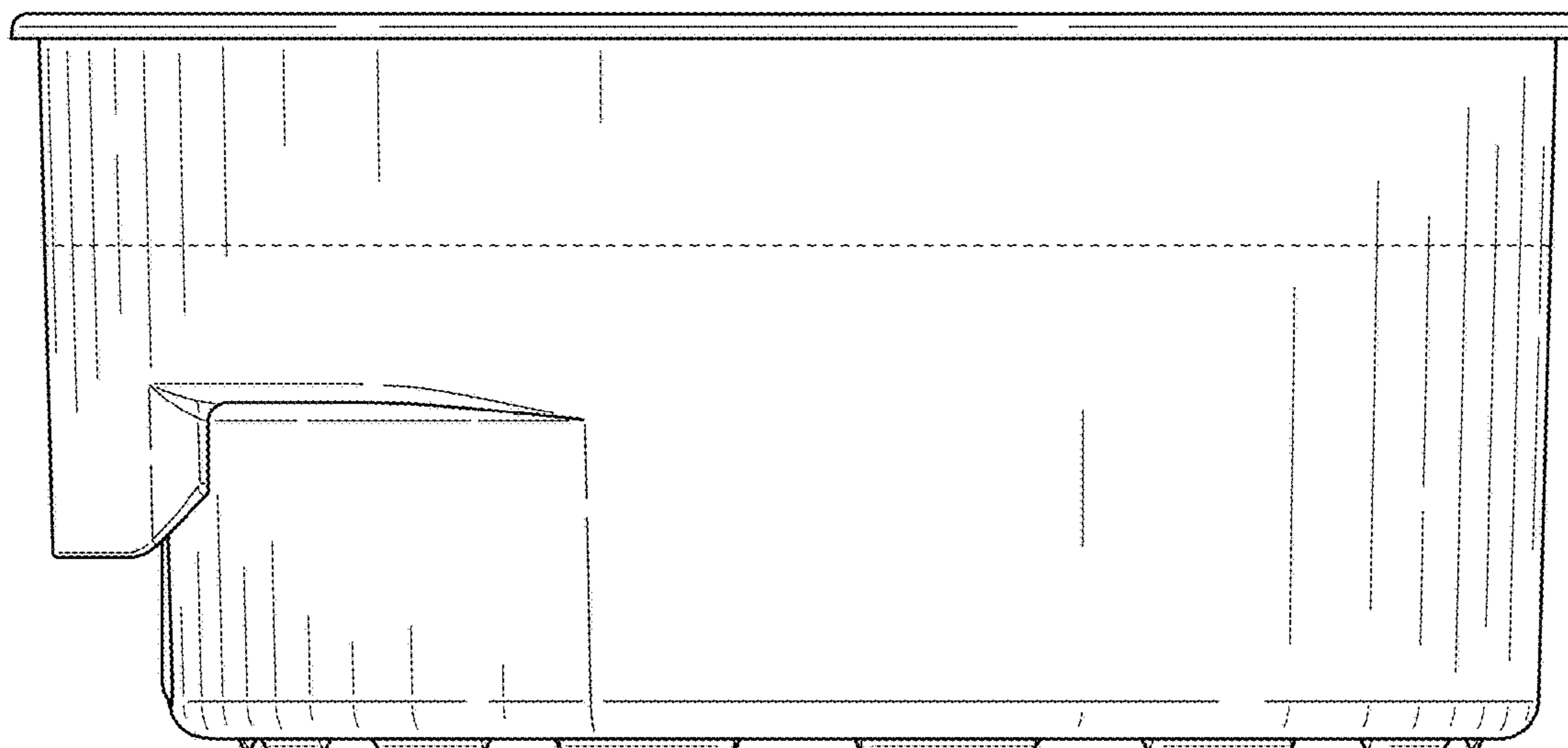


FIG. 6

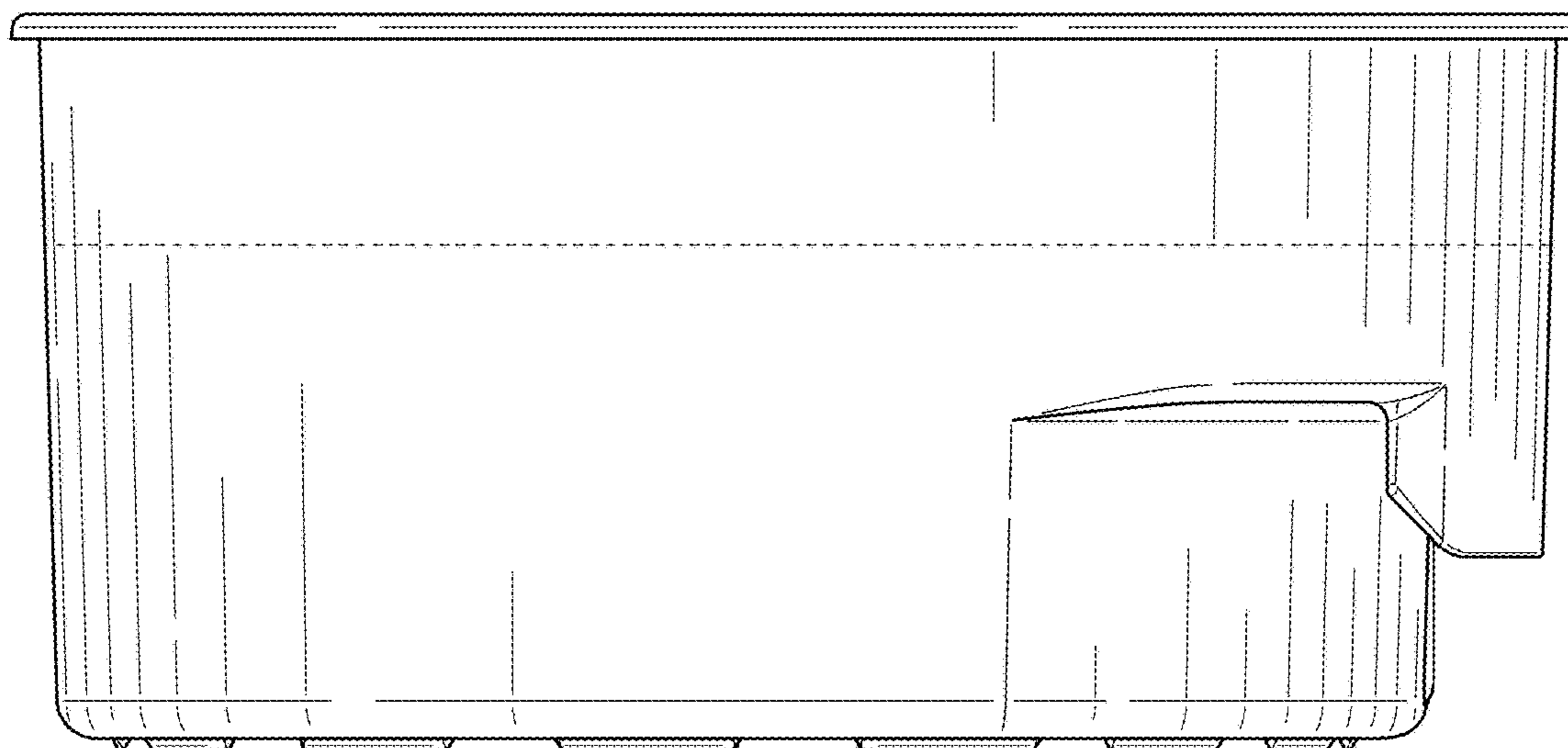


FIG. 7

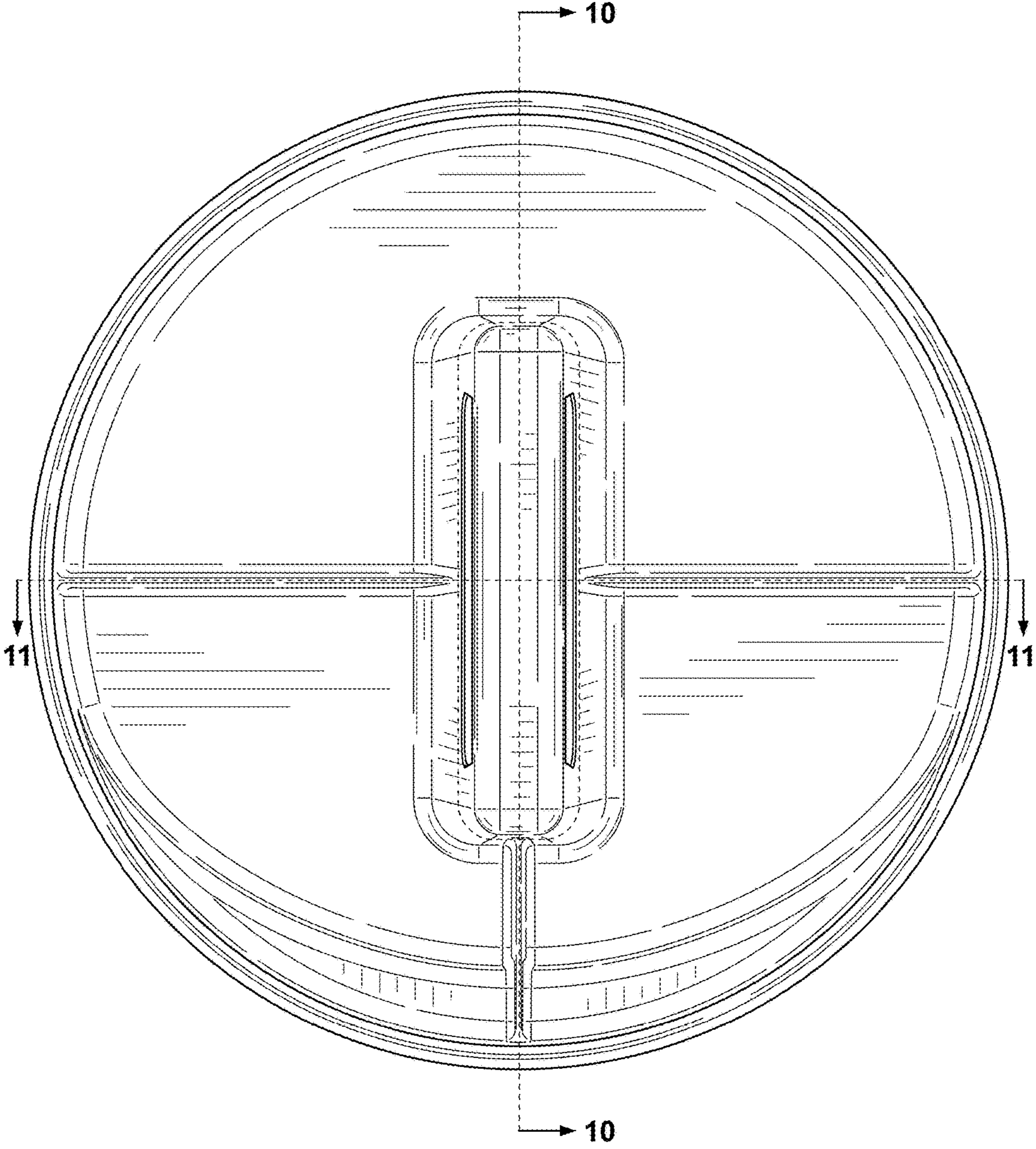


FIG. 8

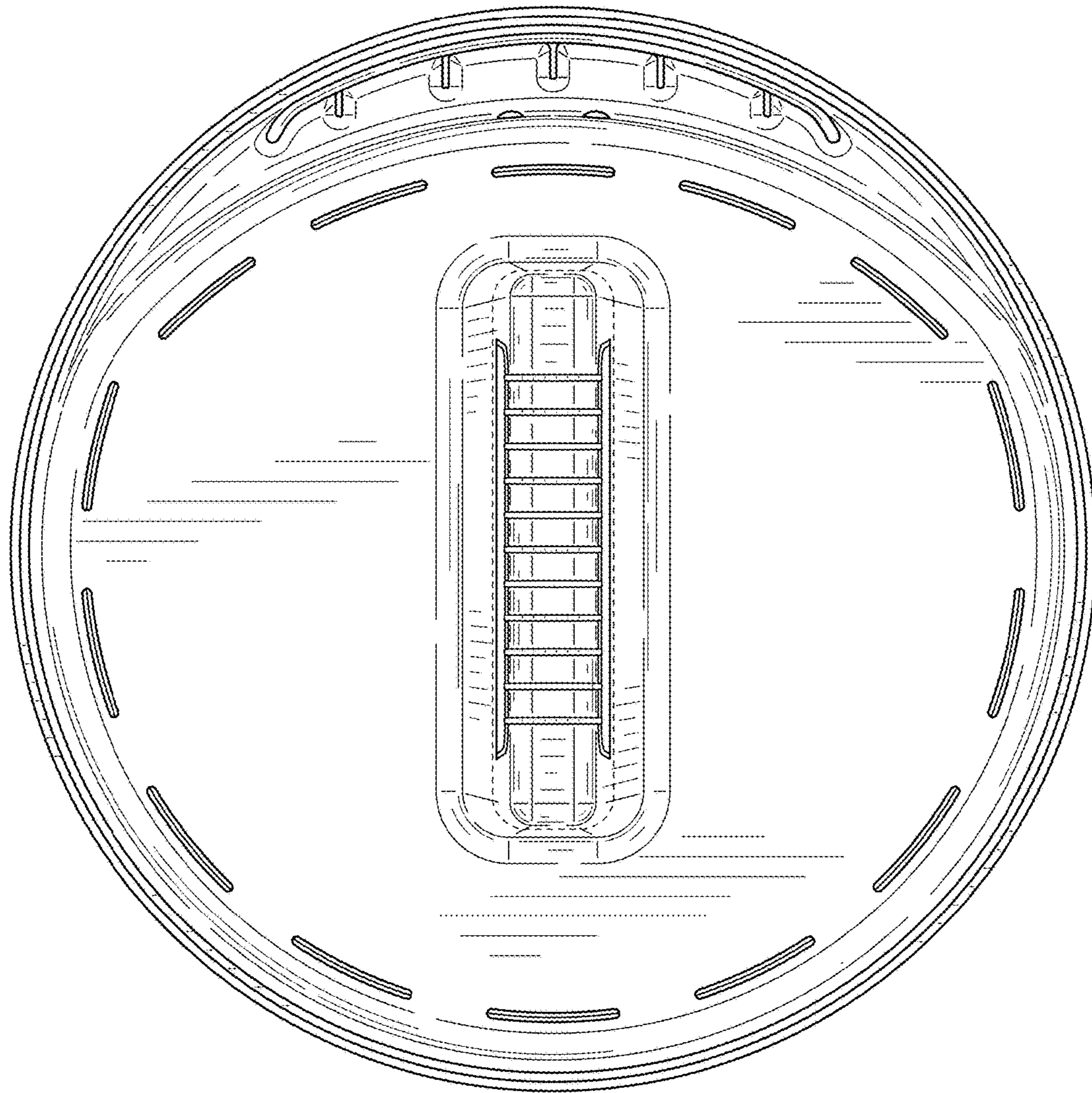


FIG. 9

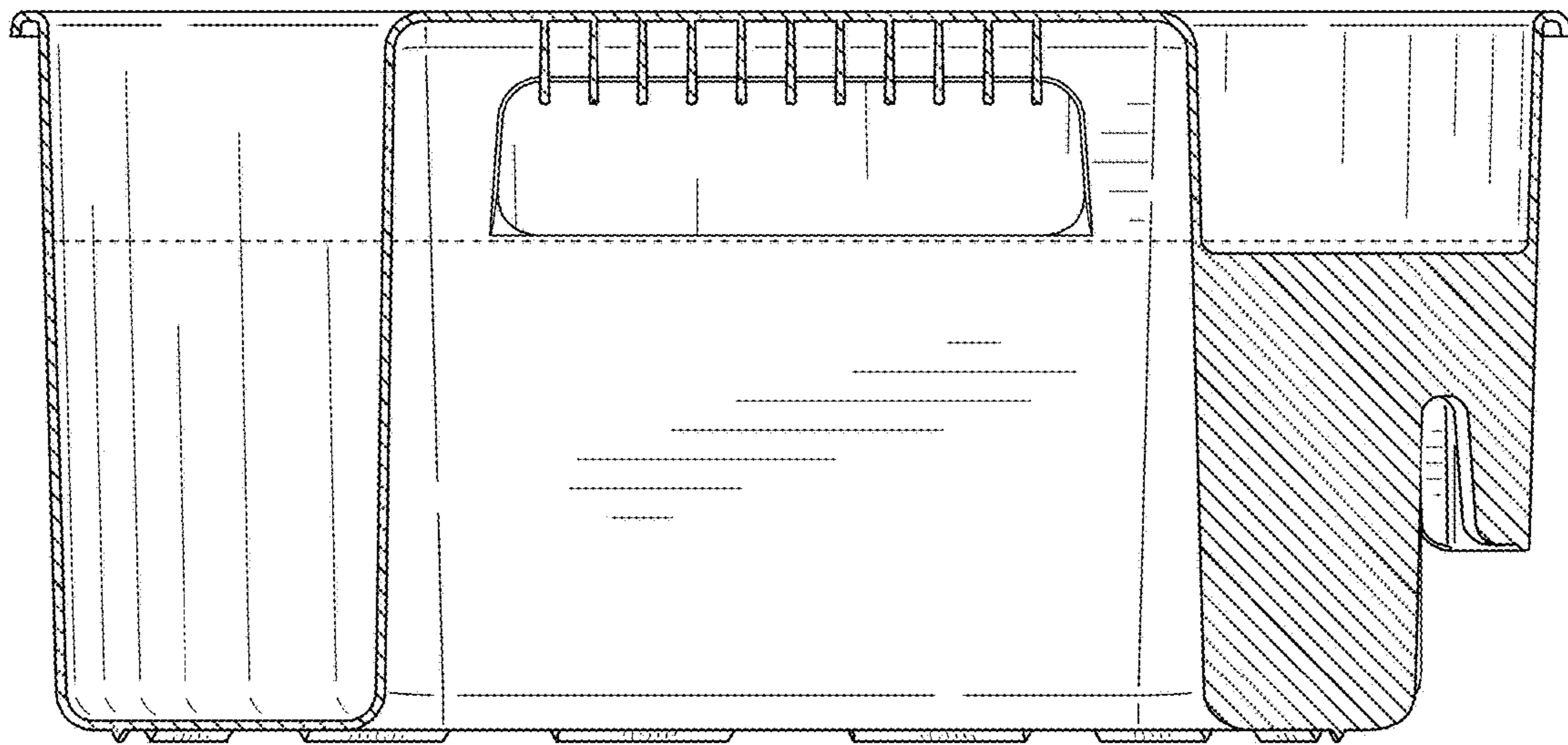


FIG. 10

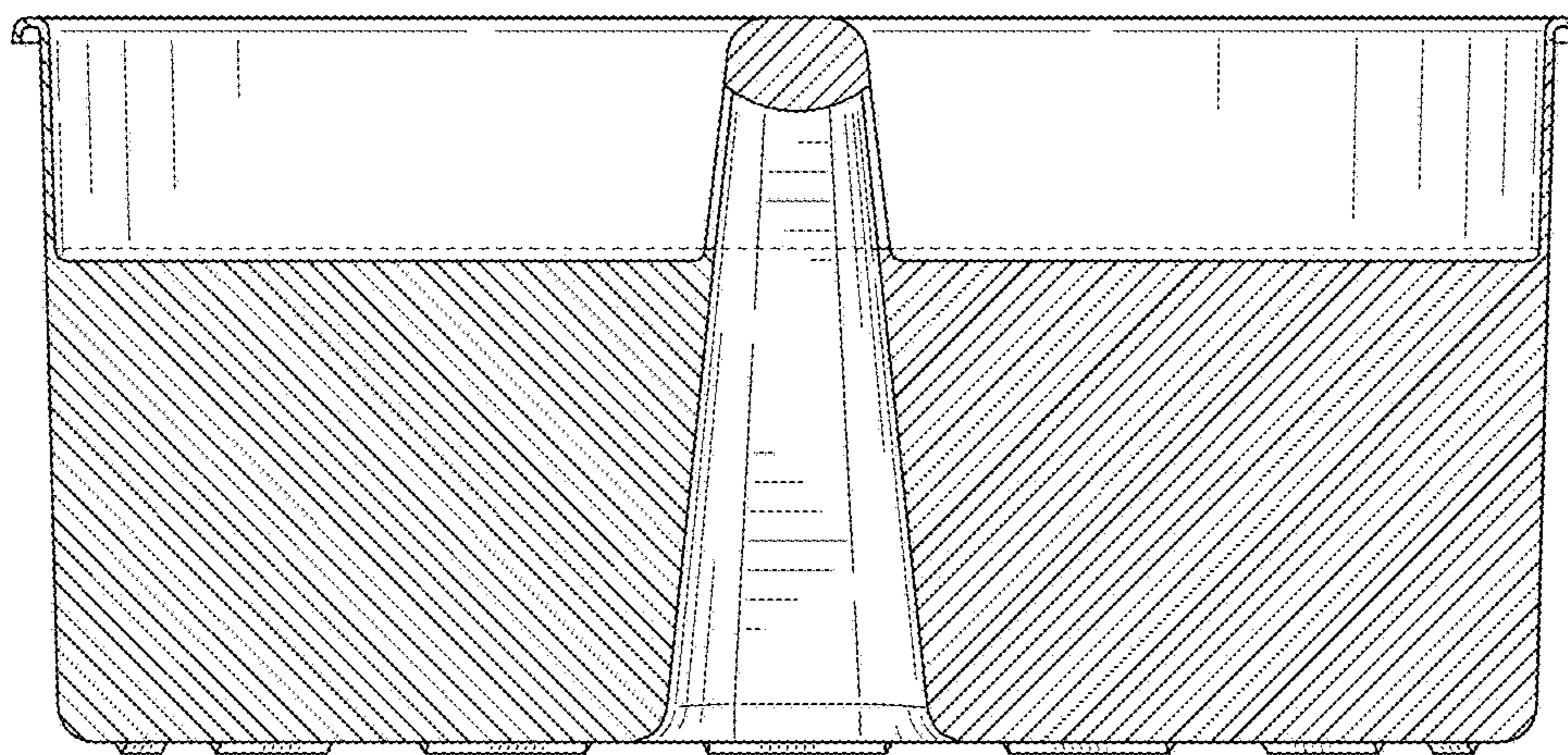


FIG. 11