



US00D801074S

(12) **United States Design Patent** (10) **Patent No.:** **US D801,074 S**
Brownley et al. (45) **Date of Patent:** **** Oct. 31, 2017**

(54) **PRODUCT DISPENSER**
(71) Applicant: **GOJO Industries, Inc.**, Akron, OH (US)
(72) Inventors: **David Brownley**, Hudson, OH (US); **Matthew Hern**, Malibu, CA (US); **Michael Jackson**, Wooster, OH (US); **Anthony Seitz**, University Heights, OH (US)
(73) Assignee: **GOJO Industries, Inc.**, Akron, OH (US)

D637,848 S * 5/2011 Kramer D6/545
D733,456 S * 7/2015 Buell D6/545
D768,407 S * 10/2016 Patterson D6/545
D780,473 S * 3/2017 Brownley D6/515
D781,064 S * 3/2017 Brownley D6/515
D781,065 S * 3/2017 Brownley D6/515
2014/0054322 A1 * 2/2014 McNulty A47K 5/14
222/190
2015/0083754 A1 * 3/2015 Proper A47K 5/12
222/180
2015/0190827 A1 * 7/2015 Ophardt B05B 11/0037
222/153.09
2015/0266657 A1 * 9/2015 Corney B65D 47/06
222/478
2017/0100001 A1 * 4/2017 Tojek A47K 5/1211

(**) Term: **15 Years**

* cited by examiner

(21) Appl. No.: **29/596,380**

Primary Examiner — Karen Kearney

(22) Filed: **Mar. 8, 2017**

Assistant Examiner — Nathan Johnston

Related U.S. Application Data

(74) *Attorney, Agent, or Firm* — Calfee, Halter & Griswold LLP

(63) Continuation of application No. 29/561,232, filed on Apr. 14, 2016, now Pat. No. Des. 781,064.

(51) **LOC (10) Cl.** **20-02**

(52) **U.S. Cl.**
USPC **D6/515**

(58) **Field of Classification Search**
USPC D6/515–523; 206/389, 391; 312/34, 312/34.8, 34.22, 309.1; 211/13.1, 16, 44, 211/49.1, 50, 59.2, 86.01; 221/282, 283; 222/173, 181.1
CPC A47K 5/14; A47K 5/1217; A47K 5/12; B05B 11/3087; B05B 7/0037
See application file for complete search history.

(56) **References Cited**

U.S. PATENT DOCUMENTS

D416,416 S * 11/1999 Kelso D6/525
D611,747 S * 3/2010 Kramer D6/545

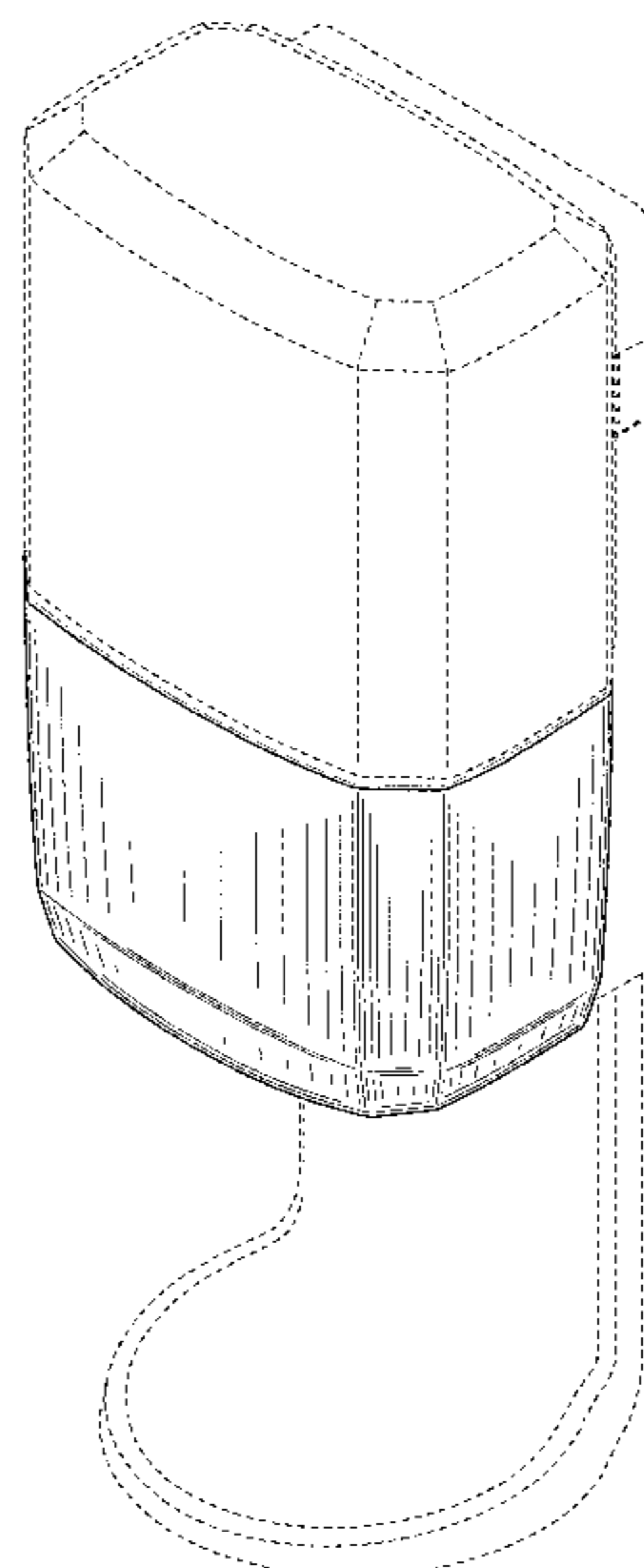
(57) **CLAIM**

The ornamental design for a product dispenser, as shown and described.

DESCRIPTION

FIG. 1 is a perspective view of a product dispenser showing our new design;
FIG. 2 is a front elevation view thereof;
FIG. 3 is a rear elevation view thereof;
FIG. 4 is a right side elevation view thereof;
FIG. 5 is a left side elevation view thereof;
FIG. 6 is a top plan view thereof; and,
FIG. 7 is a bottom plan view thereof.
The broken line showing of product dispenser is included for the purpose of illustrating portions of the “article” and forms no part of the claimed design.

1 Claim, 6 Drawing Sheets



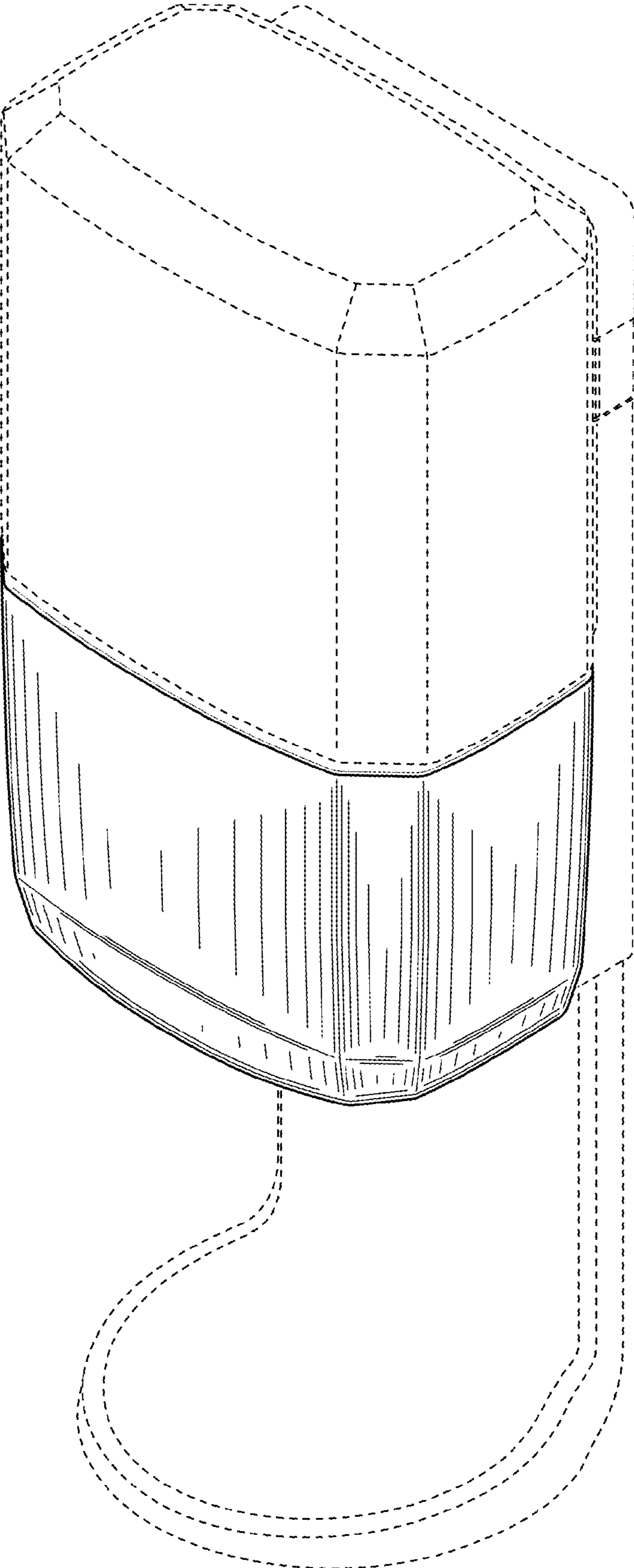


FIG. 1

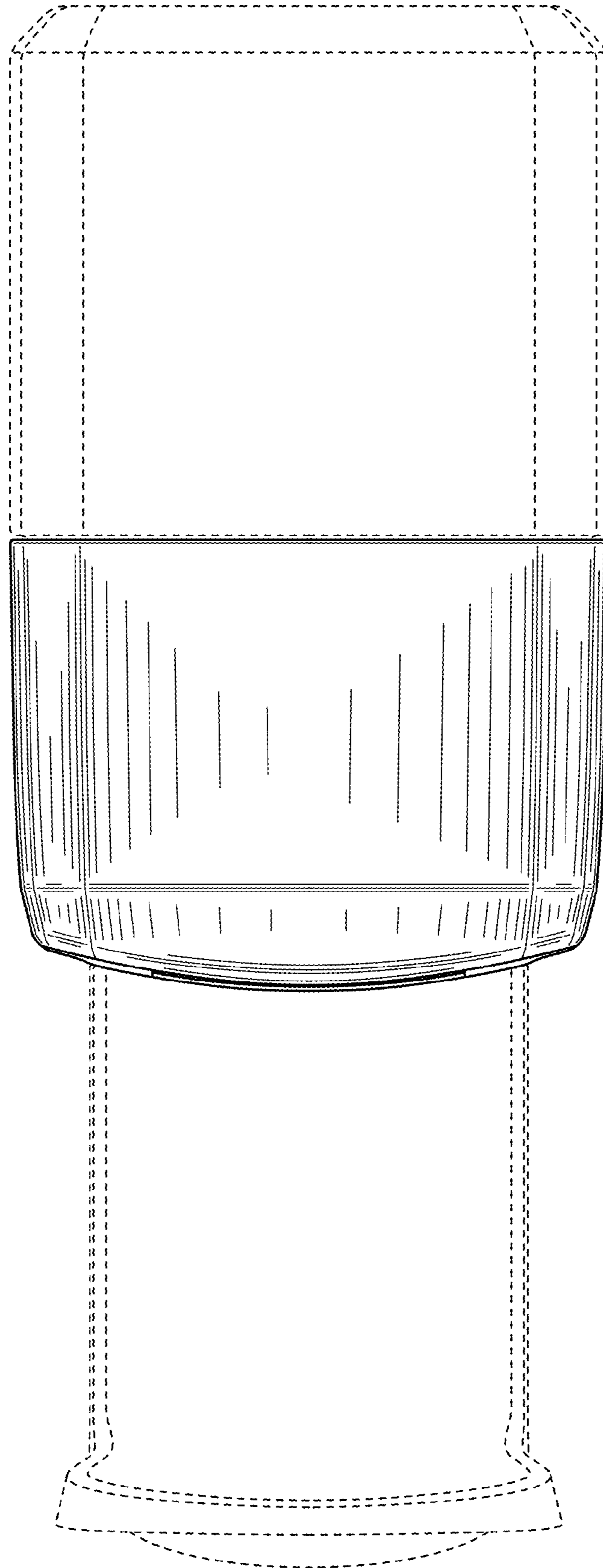


FIG. 2

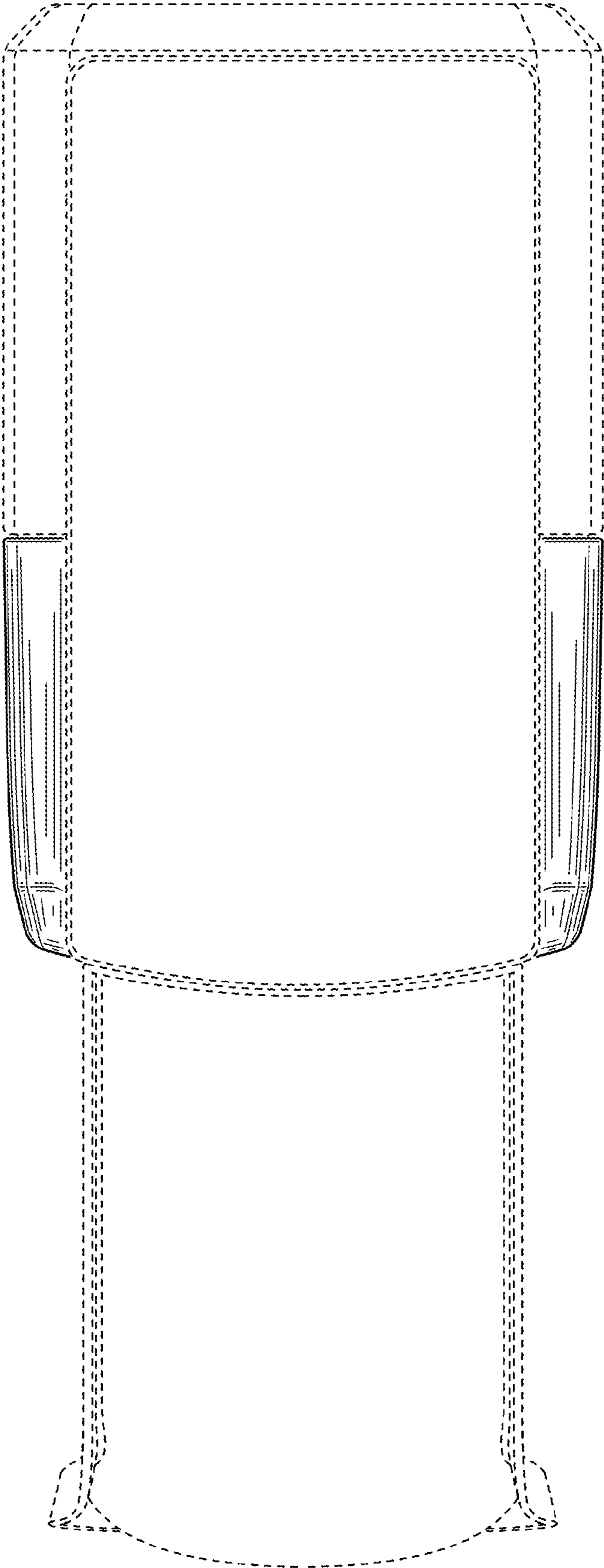


FIG. 3

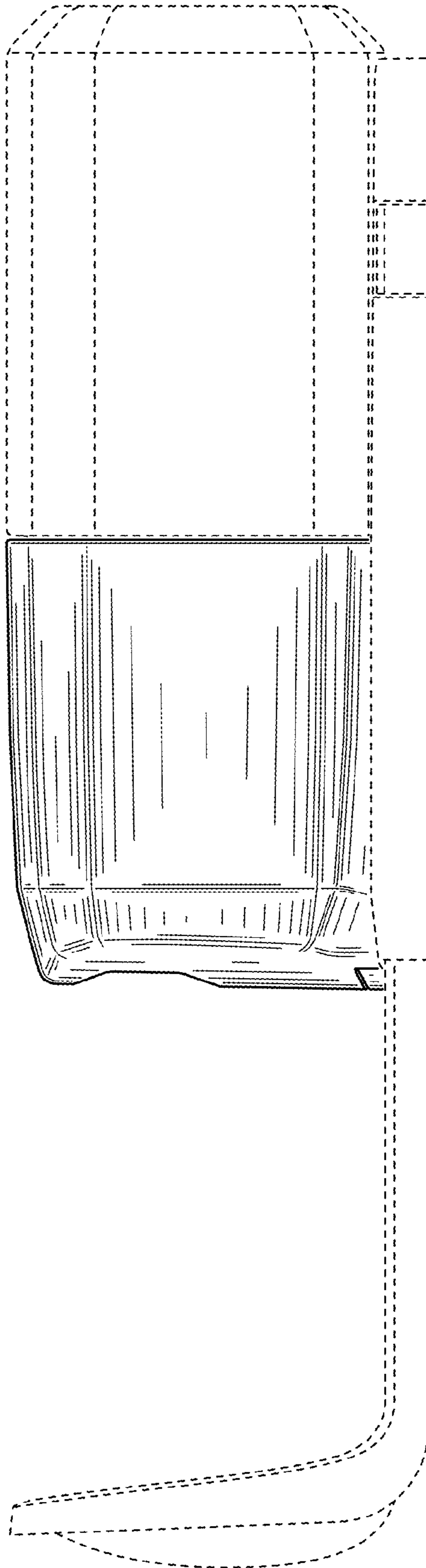


FIG. 4

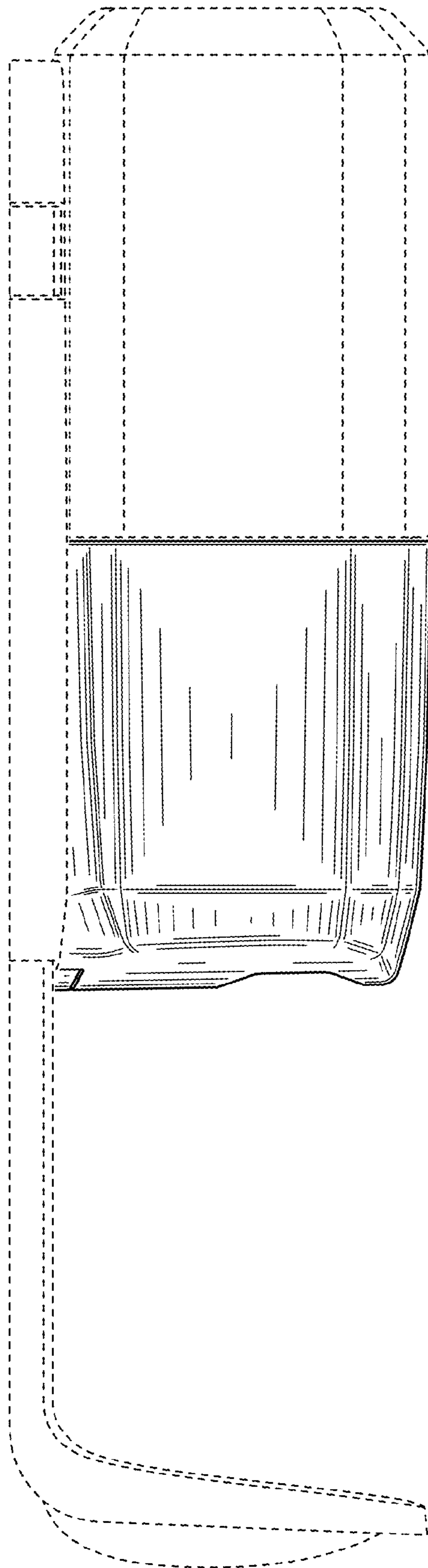


FIG. 5

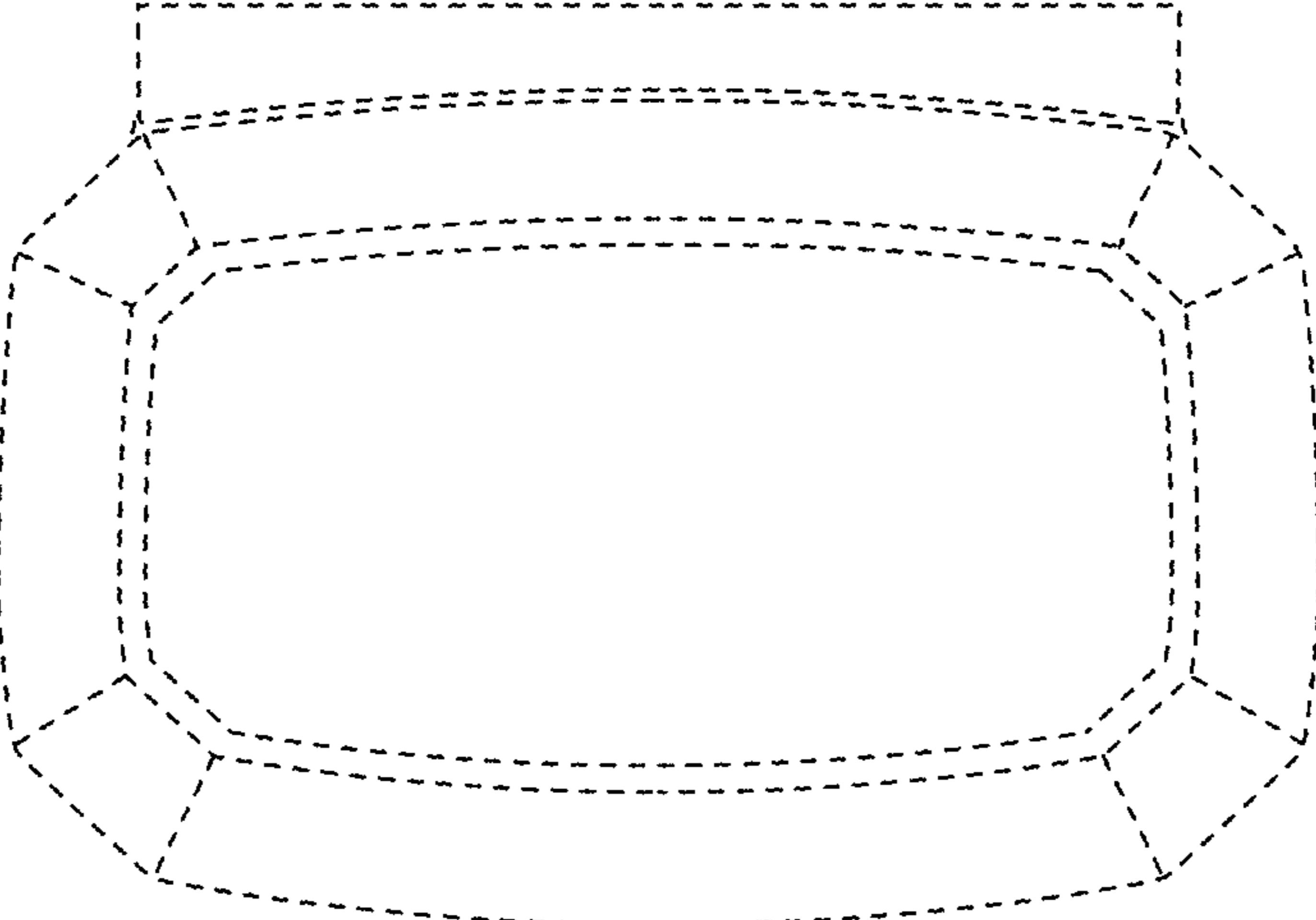


FIG. 6

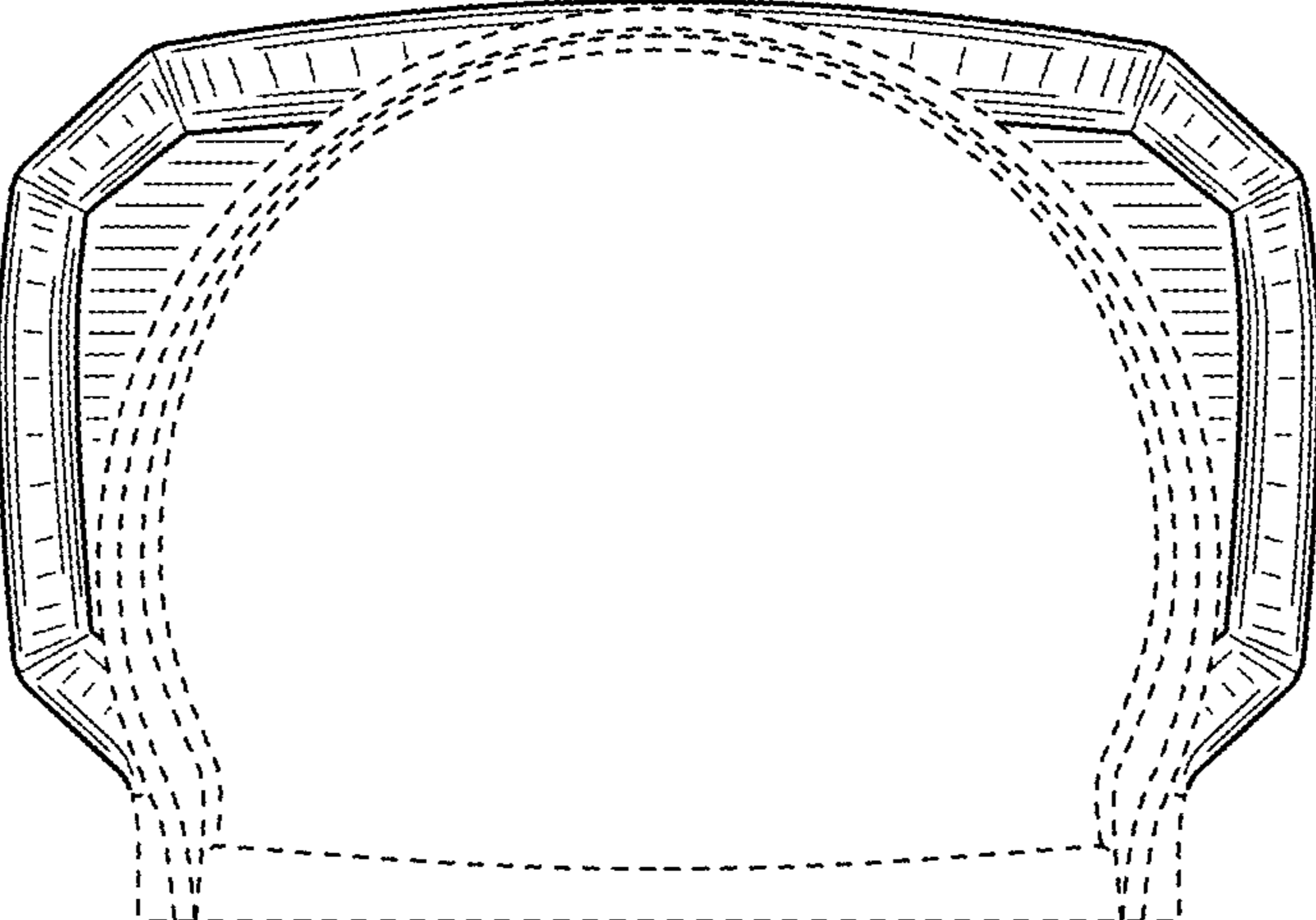


FIG. 7