



US00D801073S

(12) **United States Design Patent** (10) **Patent No.:** **US D801,073 S**
Soegyanto (45) **Date of Patent:** **** Oct. 31, 2017**

(54) **DISPLAY CARTON**
(71) Applicant: **Mars, Incorporated**, McLean, VA (US)
(72) Inventor: **Eric Soegyanto**, McLean, VA (US)
(73) Assignee: **MARS, INCORPORATED**, Mclean, VA (US)

D295,590 S * 5/1988 Merl D6/515
D365,705 S * 1/1996 Deeley D6/552
D369,708 S * 5/1996 Breen D6/515
D405,622 S * 2/1999 Linz D6/515
D459,927 S * 7/2002 Flowers D6/517
7,204,376 B2 * 4/2007 Richardson A47F 5/00
211/126.4
D582,190 S * 12/2008 Valiulis D6/567
2013/0056376 A1 * 3/2013 Hasegawa G02B 6/25
206/349

(**) Term: **15 Years**

(21) Appl. No.: **29/547,100**

(22) Filed: **Dec. 1, 2015**

(30) **Foreign Application Priority Data**

Jun. 1, 2015 (EP) 002710624

(51) **LOC (10) Cl.** **20-02**

(52) **U.S. Cl.**
USPC **D6/515**

(58) **Field of Classification Search**
USPC D6/515, 517; 206/730, 734, 327, 703;
221/282-283, 191; 222/173, 628;
235/439, 441
CPC A47F 1/10; A47F 2001/103
See application file for complete search history.

(56) **References Cited**

U.S. PATENT DOCUMENTS

1,390,184 A * 9/1921 Windecker A47K 5/03
206/77.1
3,208,583 A * 9/1965 Kamps A47F 5/112
206/557
3,259,269 A * 7/1966 Asenbauer B65D 21/0213
206/509
D231,760 S * 6/1974 Molzen D6/571
D277,819 S * 3/1985 Crosslen D6/555

FOREIGN PATENT DOCUMENTS

EP 002190488-0005 2/2013
JP 1193537 A 1/2004
JP 1463612 3/2013

* cited by examiner

Primary Examiner — David Muller

Assistant Examiner — Nathan Johnston

(74) *Attorney, Agent, or Firm* — Greenberg Traurig

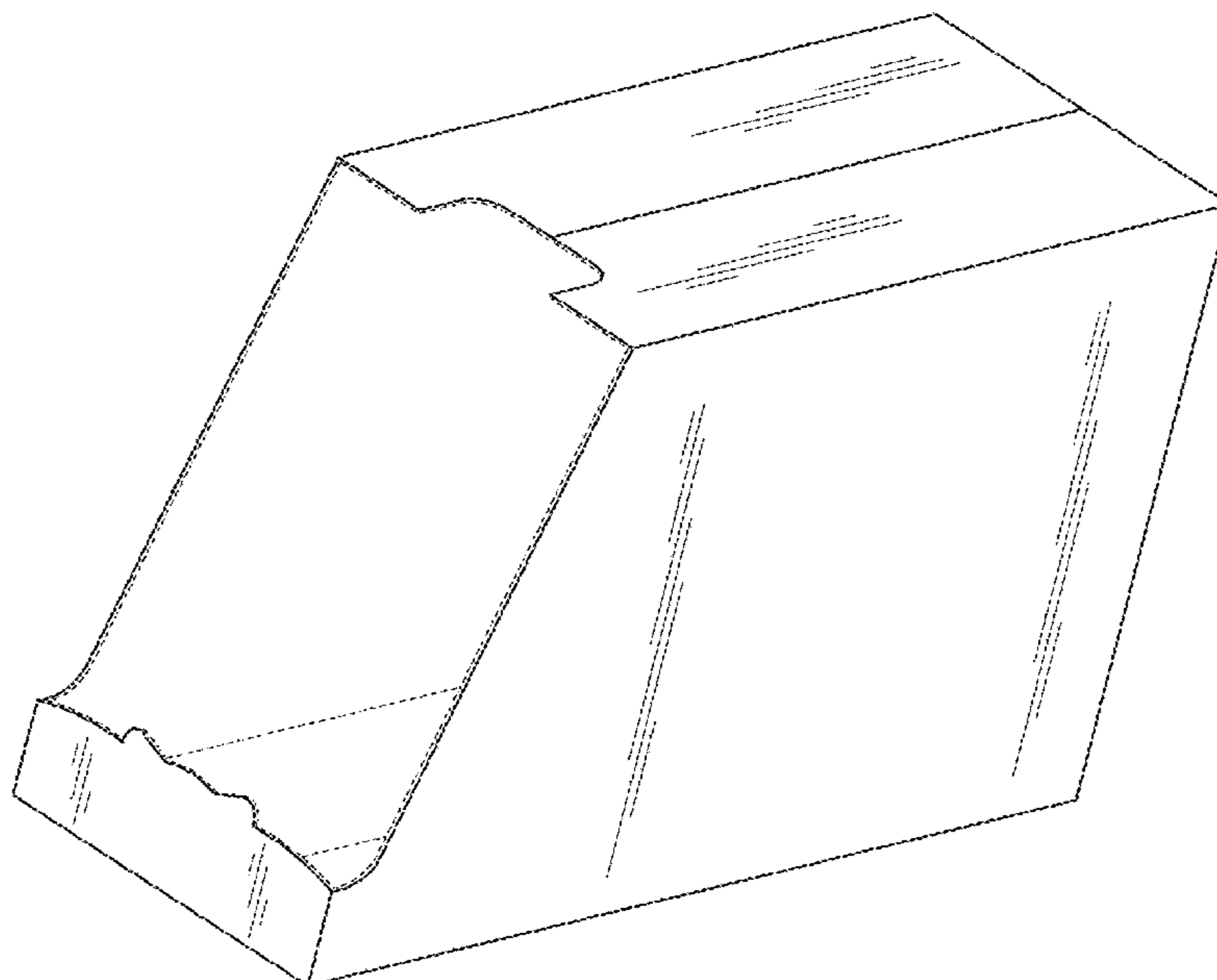
(57) **CLAIM**

The ornamental design for a display carton, as shown and described.

DESCRIPTION

FIG. 1 is an elevated perspective view of a display carton showing my new design;
FIG. 2 is a front elevation view thereof.
FIG. 3 is a back elevation view thereof.
FIG. 4 is a left side elevation view thereof.
FIG. 5 is a right side elevation view thereof.
FIG. 6 is a top plan view thereof; and,
FIG. 7 is a bottom plan view thereof.
The broken lines in the figures illustrate the portions of the design that form no part of the claimed design.

1 Claim, 7 Drawing Sheets



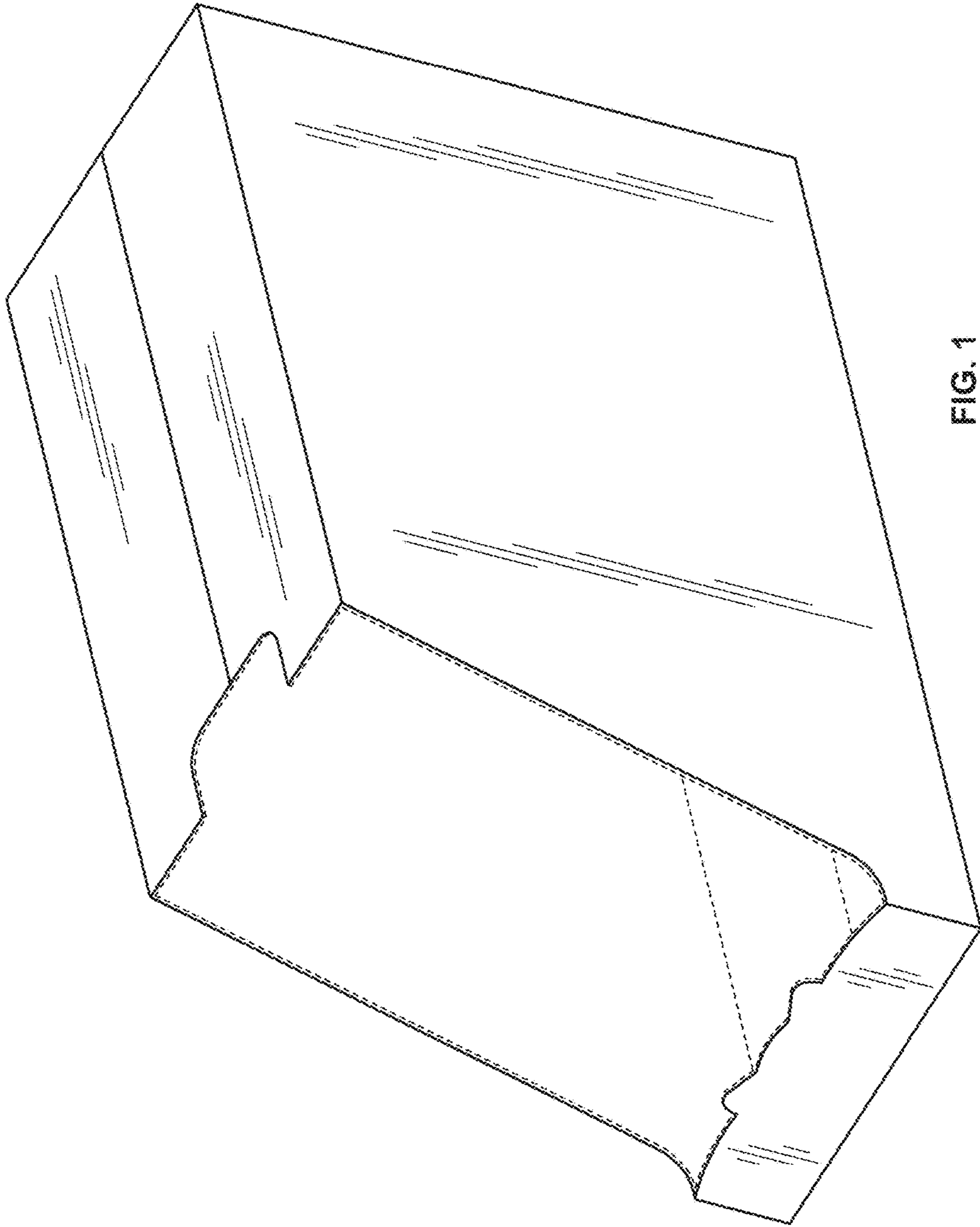


FIG. 1

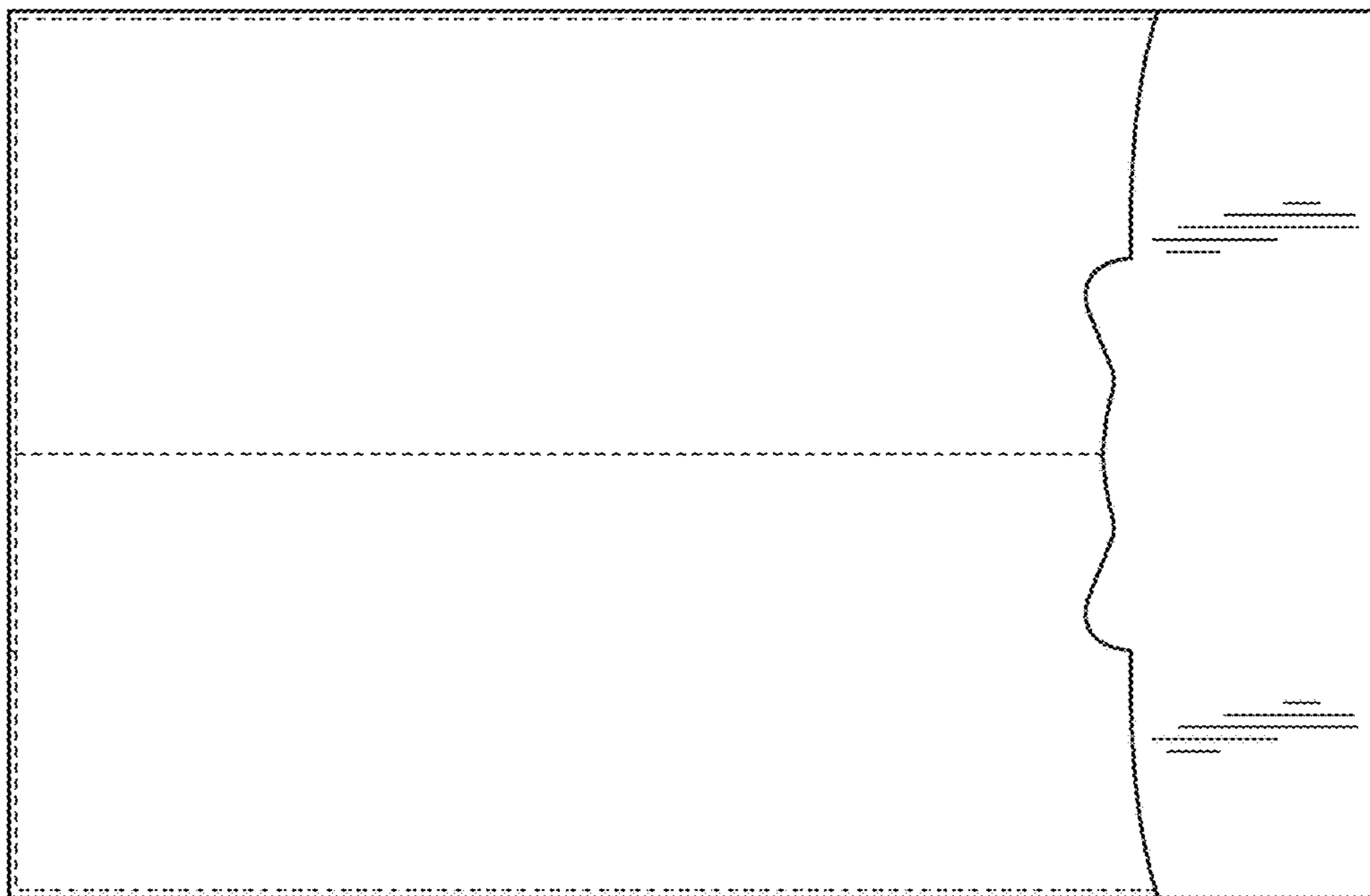


FIG. 2

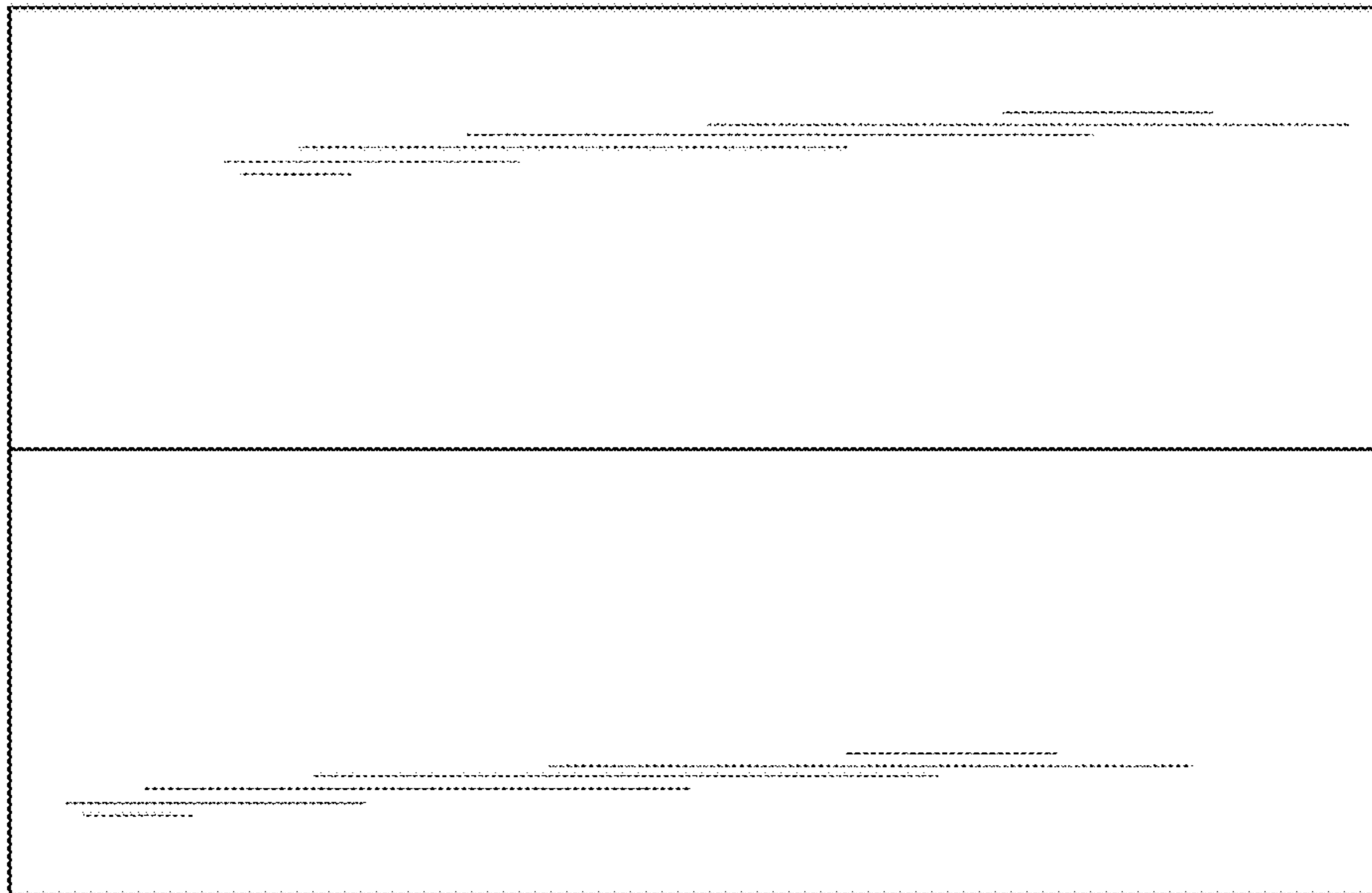


FIG. 3

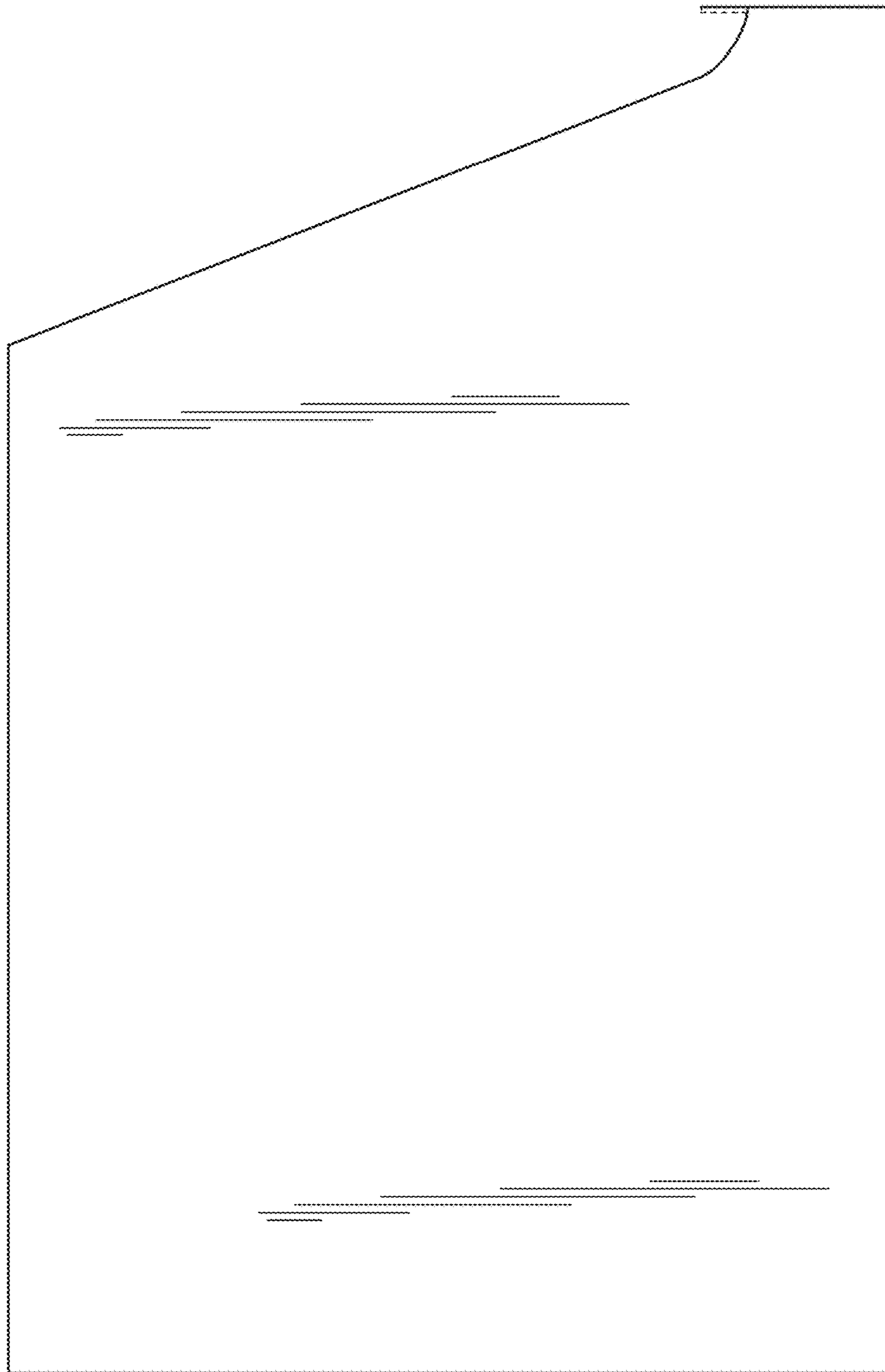


FIG. 4

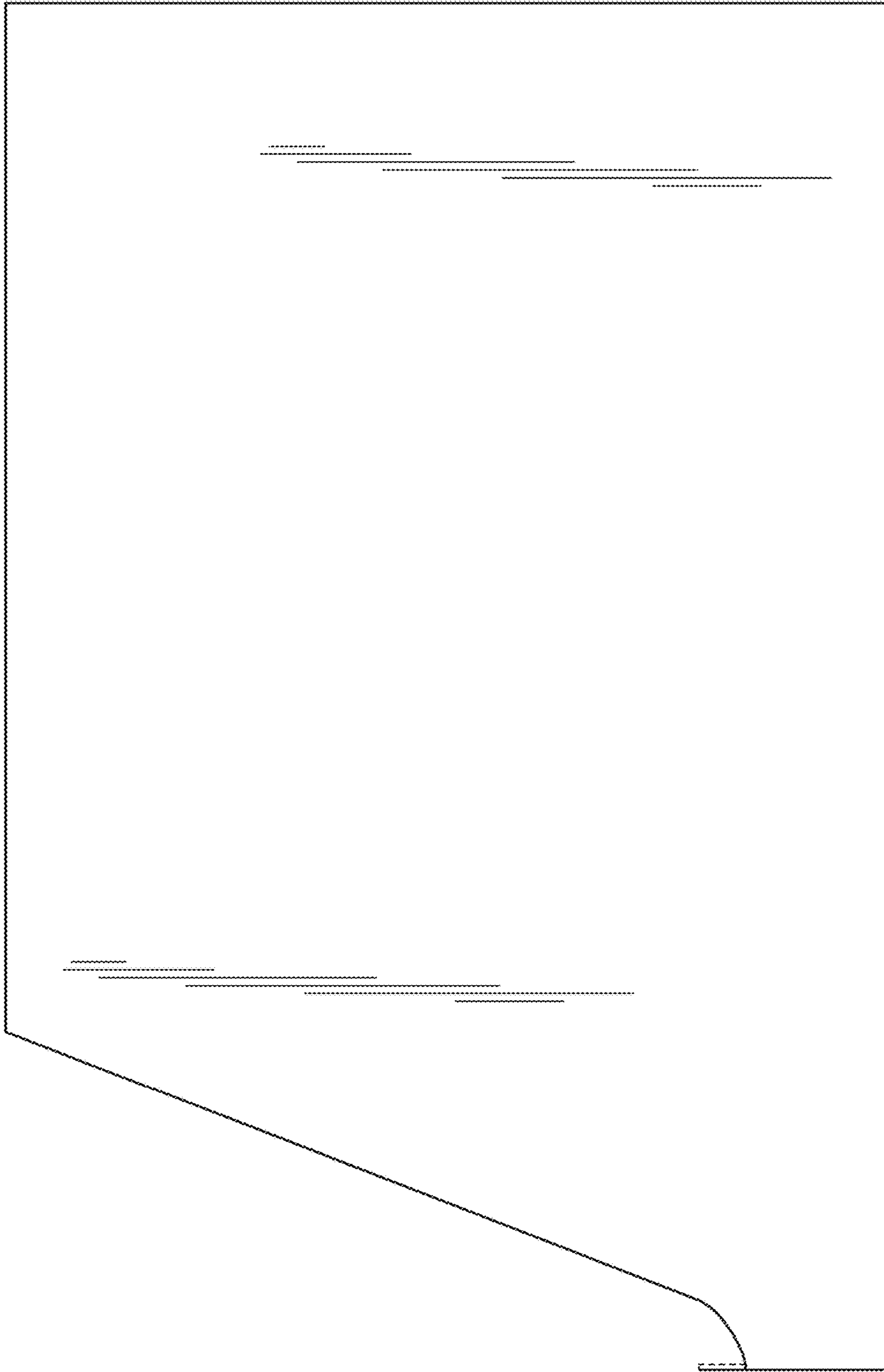


FIG. 5

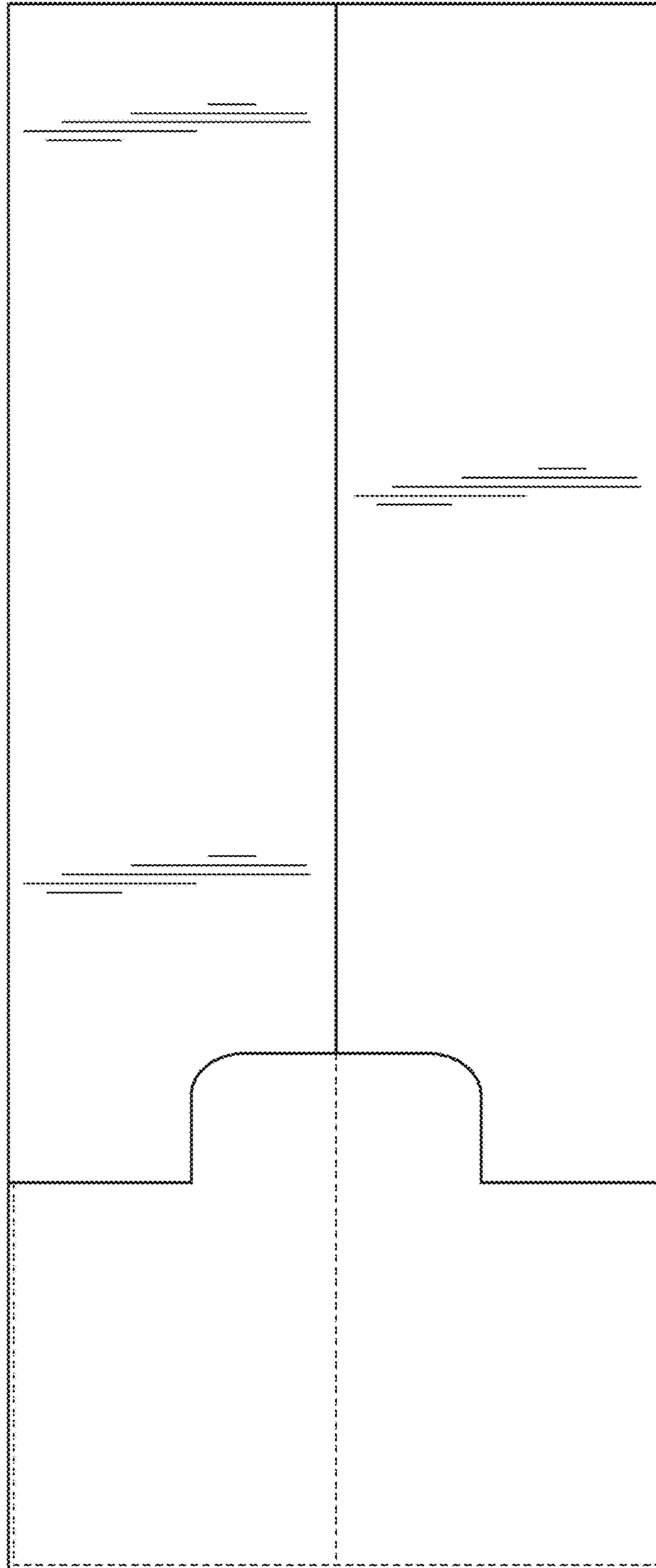


FIG. 6

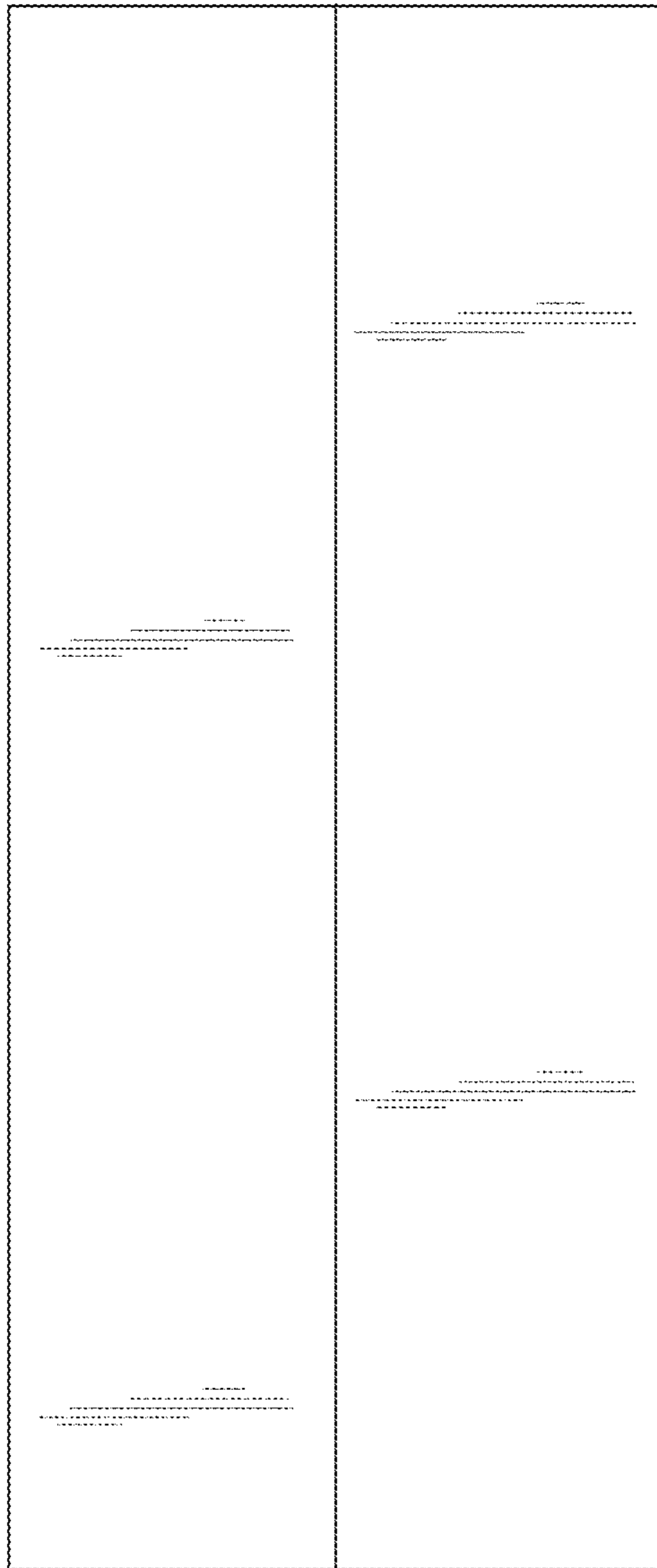


FIG. 7