



US00D801072S

(12) **United States Design Patent** (10) **Patent No.:** **US D801,072 S**
Miller (45) **Date of Patent:** **** Oct. 31, 2017**

(54) **FURNITURE TRAY**
(71) Applicant: **Stander Inc.**, Logan, UT (US)
(72) Inventor: **F. Troy Miller**, Logan, UT (US)
(73) Assignee: **Stander Inc.**, Logan, UT (US)
(**) Term: **15 Years**

5,746,334 A 5/1998 Brandenburg
5,787,530 A 8/1998 Brix
5,806,548 A 9/1998 Goldstein
D418,997 S 1/2000 Leveen et al.
6,138,301 A 10/2000 Battiston
6,224,026 B1 5/2001 Dubois
6,240,583 B1 6/2001 Brooke et al.
6,240,856 B1 6/2001 Paskey et al.
(Continued)

(21) Appl. No.: **29/563,993**
(22) Filed: **May 10, 2016**
(51) **LOC (10) Cl.** **06-03**
(52) **U.S. Cl.**
USPC **D6/406.2**
(58) **Field of Classification Search**
USPC D6/406.1-406.5, 421, 422, 675.1, 675.3,
D6/678.2, 680.2; D3/274; D19/91;
108/43, 115; 434/432
CPC A47B 3/087
See application file for complete search history.

OTHER PUBLICATIONS

Omni Tray: Announced Aug. 10, 2016 [online], site visited May 4, 2017. Available from Internet URL: <http://stander.com/product/69-omni-tray>.
Final Office Action dated Aug. 20, 2003 in U.S. Appl. No. 09/150,268.
Final Office Action dated Mar. 24, 2005 in U.S. Appl. No. 10/764,903.

(Continued)

Primary Examiner — John Windmuller
Assistant Examiner — Melvin L Davis
(74) *Attorney, Agent, or Firm* — Stoel Rives LLP

(56) **References Cited**

U.S. PATENT DOCUMENTS

1,862,237 A 6/1932 Pepler
2,612,422 A 9/1952 Sarkus
D169,460 S * 4/1953 Smith D6/406.2
2,991,487 A 7/1961 Beckwell
D198,168 S * 5/1964 Armstrong D6/406.2
4,077,333 A 3/1978 Ballas
D261,837 S 11/1981 Sonder et al.
D292,956 S 12/1987 Inoue et al.
4,724,559 A 2/1988 Bly et al.
D295,348 S 4/1988 Muller
4,932,090 A 6/1990 Johansson
5,337,430 A 8/1994 Schlein
5,359,741 A 11/1994 Lang
5,374,019 A 12/1994 Fischer
5,400,450 A 3/1995 Leoutsakos
5,448,791 A 9/1995 Brown
5,507,044 A 4/1996 Williamson et al.
D375,641 S 11/1996 Dhanapal et al.
5,586,352 A 12/1996 O'Brien et al.

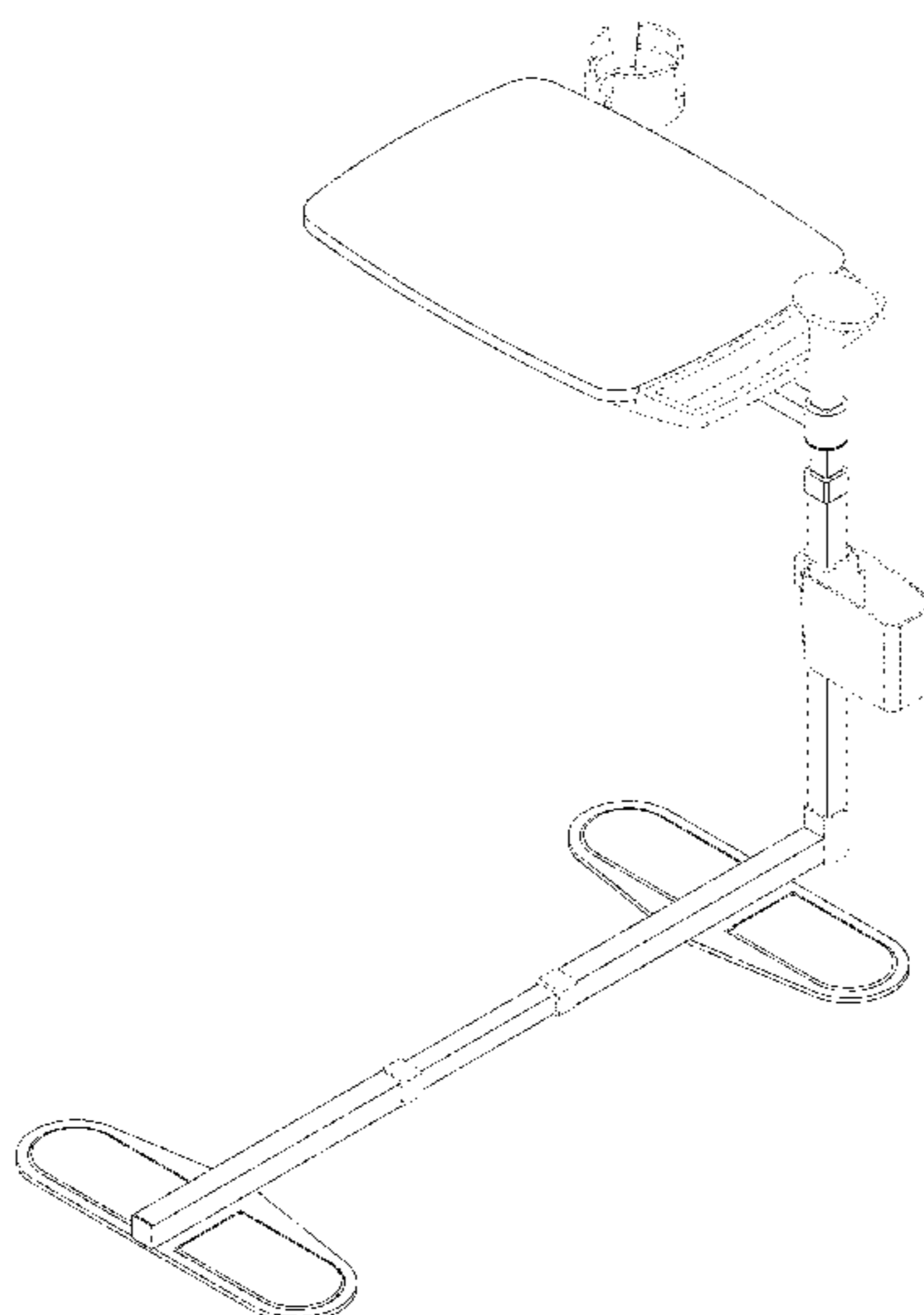
(57) **CLAIM**

The ornamental design for a furniture tray, substantially as shown and described.

DESCRIPTION

FIG. 1 is a perspective view of a furniture tray.
FIG. 2 is a top plan view of the furniture tray of FIG. 1.
FIG. 3 is a front end view of the furniture tray of FIG. 1.
FIG. 4 is a left side elevation view of the furniture tray of FIG. 1.
FIG. 5 is a back end view of the furniture tray of FIG. 1.
FIG. 6 is a right side elevation view of the furniture tray of FIG. 1; and,
FIG. 7 is a bottom plan view of the furniture tray of FIG. 1.
The portions of the drawings shown in broken lines form no part of the claimed design.

1 Claim, 7 Drawing Sheets



(56)

References Cited

U.S. PATENT DOCUMENTS

6,311,942 B1 11/2001 Rotter et al.
 6,401,280 B1 6/2002 Baker
 D467,754 S 12/2002 Chen
 6,519,794 B1 2/2003 Aarestad et al.
 6,688,634 B2 2/2004 Noffsinger
 D588,829 S 3/2009 Rheault et al.
 7,584,973 B2* 9/2009 Brager B25H 3/026
 108/141
 7,631,604 B2* 12/2009 Huang A47B 3/08
 108/115
 D620,276 S * 7/2010 Miller D6/406.2
 D656,760 S * 4/2012 Fox D6/406.1
 D687,656 S * 8/2013 Copeland D6/656.15
 D692,702 S * 11/2013 Miller D6/677.3
 D714,073 S * 9/2014 Pittman D6/406.2
 D774,810 S * 12/2016 Biddle D6/691.4
 2002/0096091 A1* 7/2002 Cloud A47C 7/68
 108/43
 2007/0234934 A1 10/2007 Branch et al.
 2013/0284077 A1* 10/2013 Copeland A47B 3/00
 108/117

OTHER PUBLICATIONS

Final Office Action dated Sep. 12, 2005 in U.S. Appl. No. 10/973,153.
 Non-Final Office Action dated Aug. 15, 2006 in U.S. Appl. No. 10/973,153.
 Non-Final Office Action dated Jan. 27, 2003 in U.S. Appl. No. 09/150,268.
 Non-Final Office Action dated Mar. 24, 2005 in U.S. Appl. No. 10/973,153.
 Non-Final Office Action dated Sep. 21, 2004 in U.S. Appl. No. 10/764,903.
 Notice of Allowance dated Dec. 2, 2005 in U.S. Appl. No. 10/764,903.
 Notice of Allowance dated Feb. 23, 2007 in U.S. Appl. No. 10/973,153.
 Notice of Allowance dated Jun. 19, 2013 in U.S. Appl. No. 29/427,431.
 Notice of Allowance dated Mar. 22, 2010 in U.S. Appl. No. 29/335,369.
 Standers, Inc., Empowering the World to Its Feet, Oct. 2006.

* cited by examiner

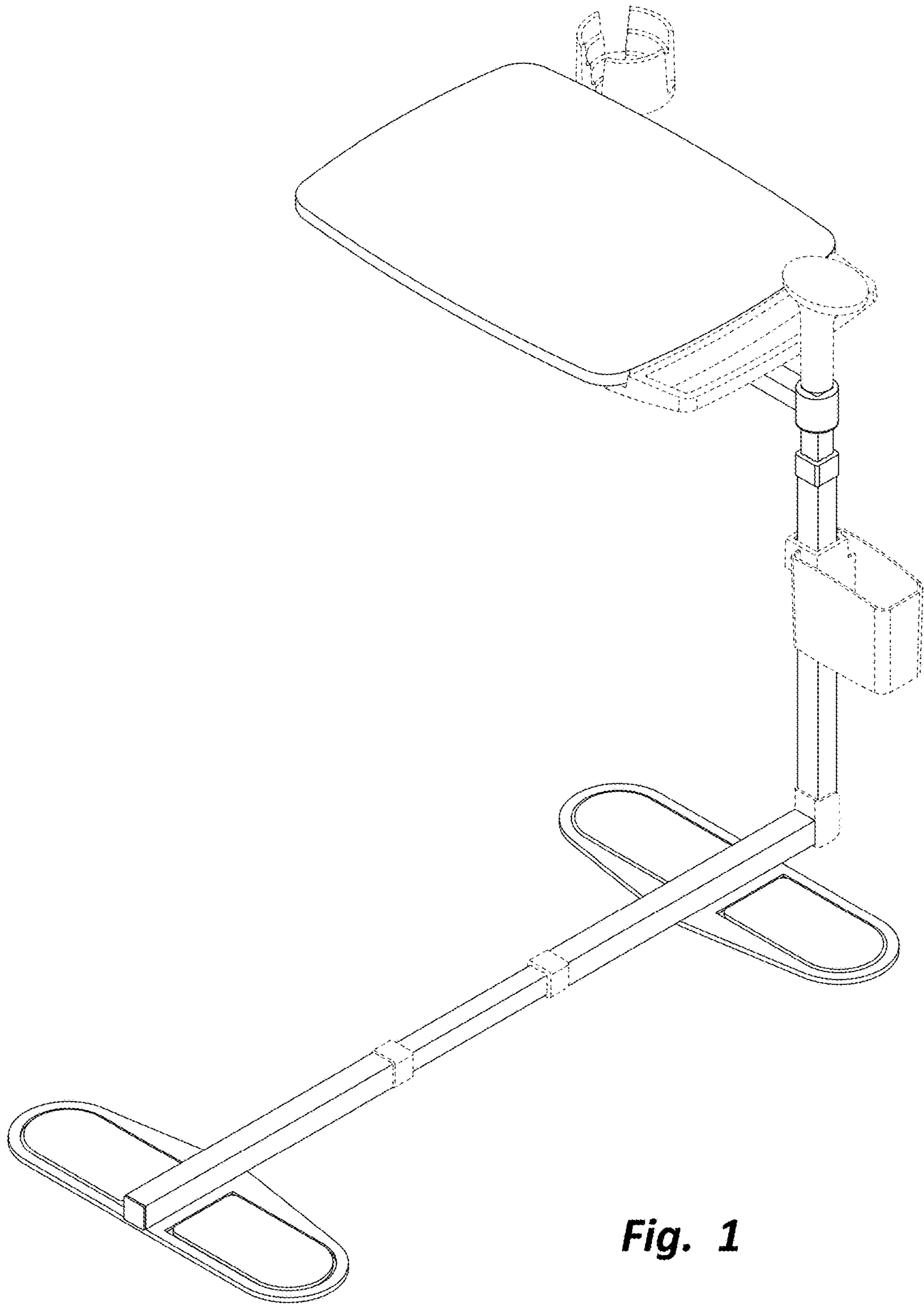


Fig. 1

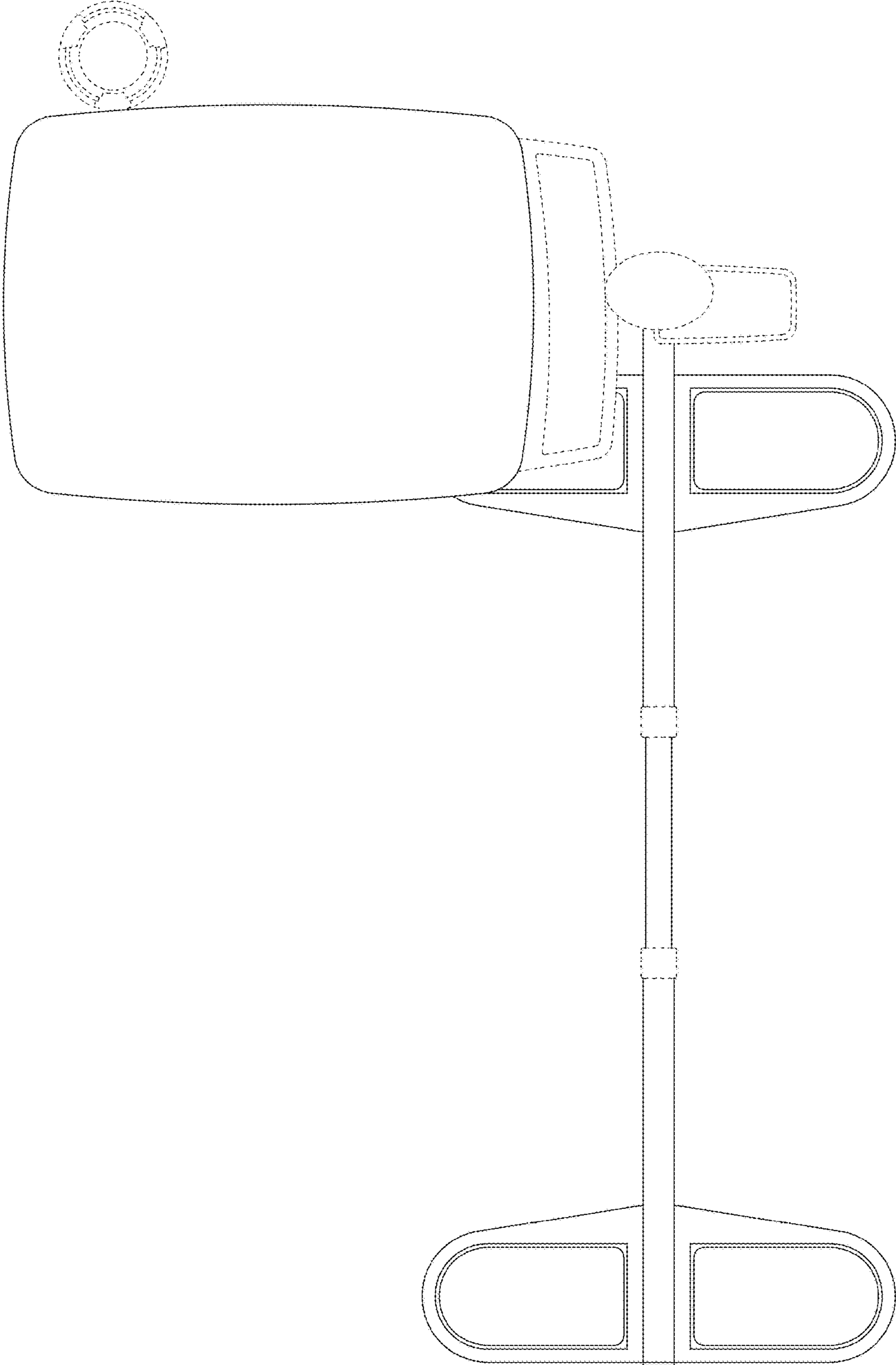


Fig. 2

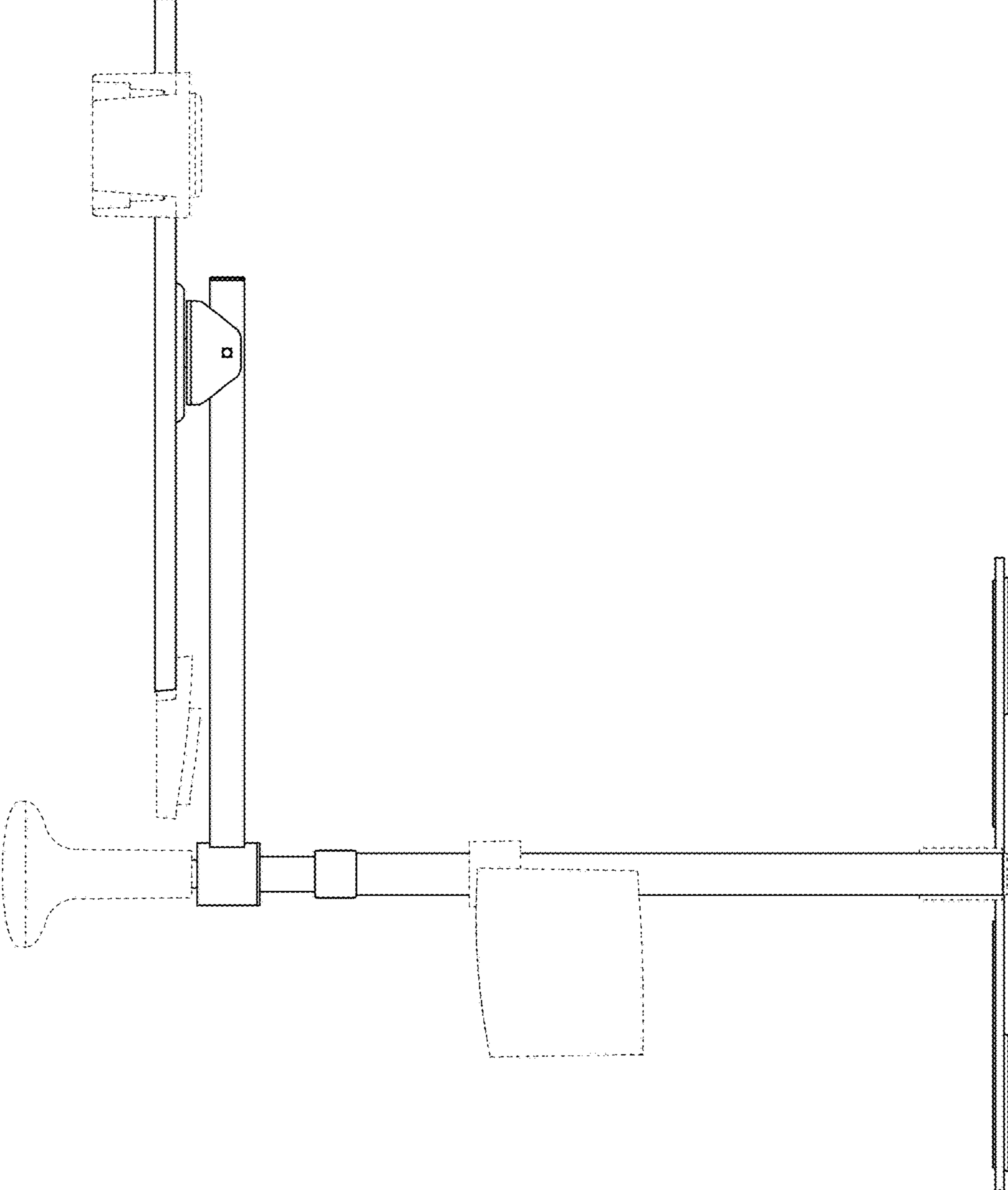


Fig. 3

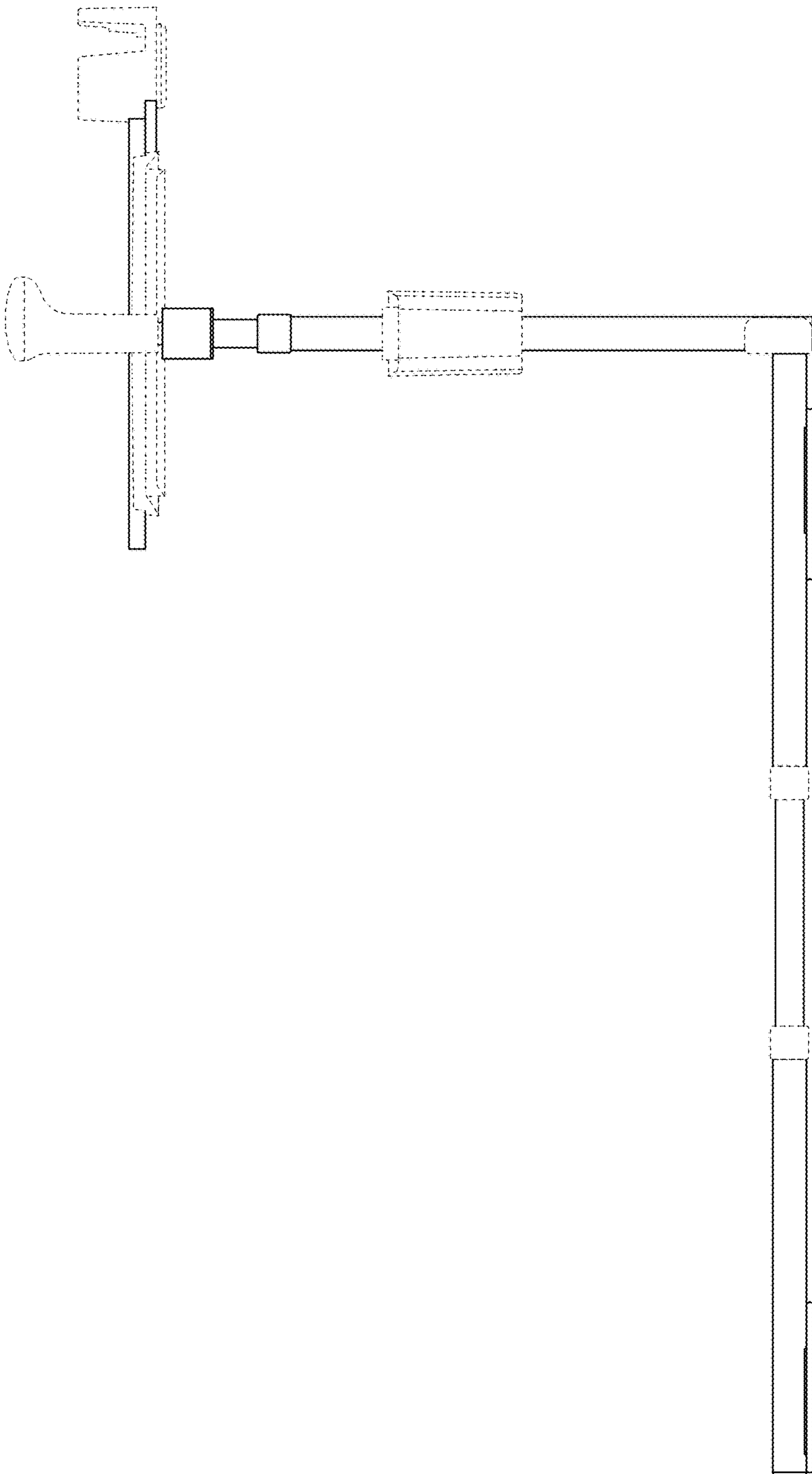


Fig. 4

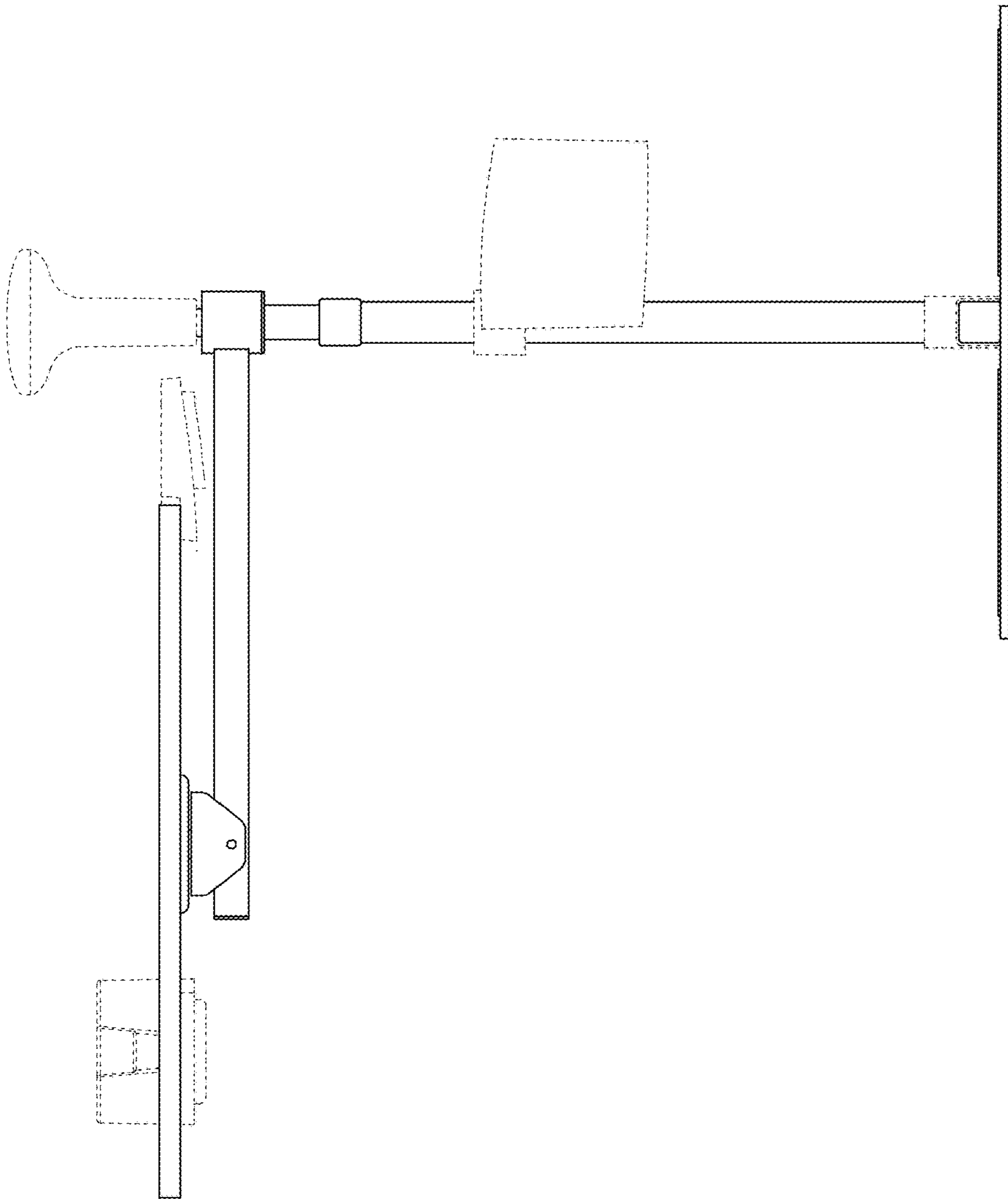


Fig. 5

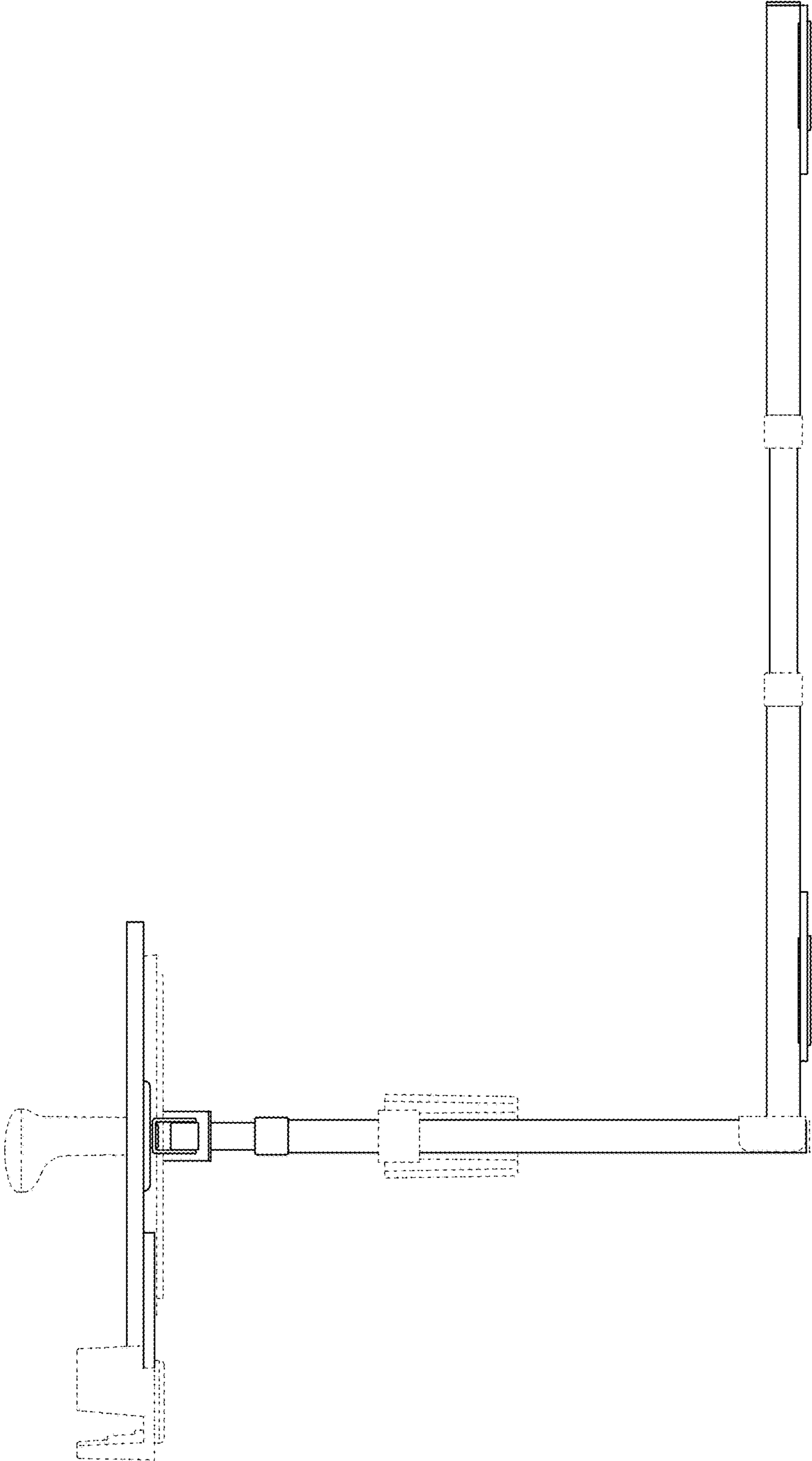


Fig. 6

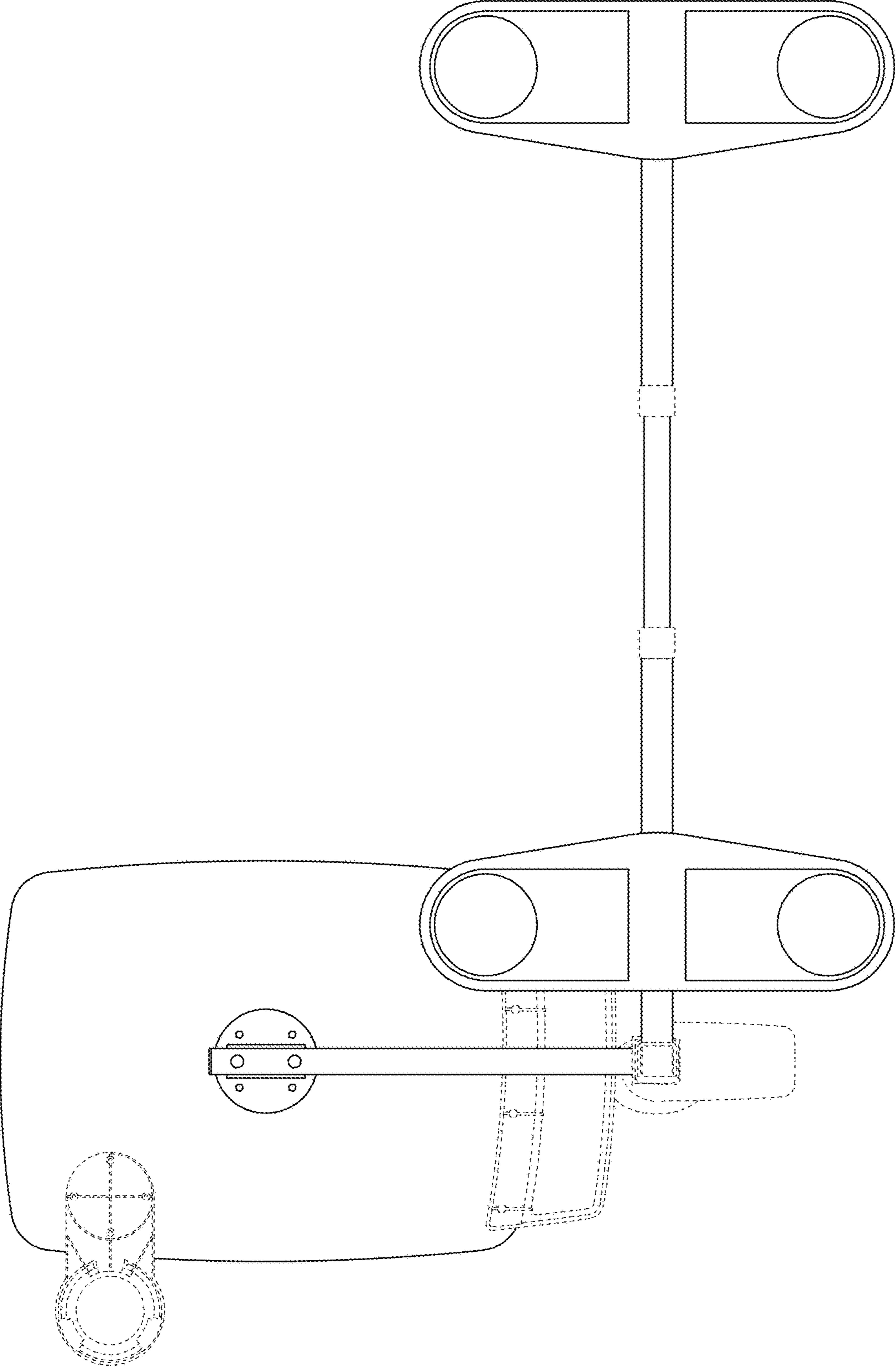


Fig. 7