



US00D801070S

(12) **United States Design Patent**
Naoto

(10) **Patent No.:** **US D801,070 S**

(45) **Date of Patent:** **** Oct. 31, 2017**

(54) **CHAIR**

(71) Applicant: **CONDE HOUSE CO., LTD.**,
Hokkaido (JP)

(72) Inventor: **Fukasawa Naoto**, Tokyo (JP)

(**) Term: **15 Years**

(21) Appl. No.: **35/501,203**

(22) Filed: **Jan. 12, 2016**

(80) **Hague Agreement Data**

Int. Filing Date: **Jan. 12, 2016**

Int. Reg. No.: **DM/089288**

Int. Reg. Date: **Jan. 12, 2016**

Int. Reg. Pub. Date: **Jul. 15, 2016**

(51) **LOC (10) Cl.** **06-01**

(52) **U.S. Cl.**
USPC **D6/379; D6/380**

(58) **Field of Classification Search**
USPC **D6/334, 361, 374, 375, 379, 380**
CPC **A47C 3/00; A47C 3/12; A47C 5/00; A47C**
7/00
See application file for complete search history.

(56) **References Cited**

U.S. PATENT DOCUMENTS

D308,143 S * 5/1990 Lohmeyer D6/379
D334,298 S * 3/1993 Panteloucos D6/379

D361,675 S * 8/1995 Ruy D6/379
D464,494 S * 10/2002 Gasca Burges D6/374
D544,234 S * 6/2007 Olano D6/374
D579,226 S * 10/2008 Pinaffo D6/379
D752,894 S * 4/2016 Tiet D6/379
D779,223 S * 2/2017 Duvigneau D6/374

* cited by examiner

Primary Examiner — Mary Ann Calabrese

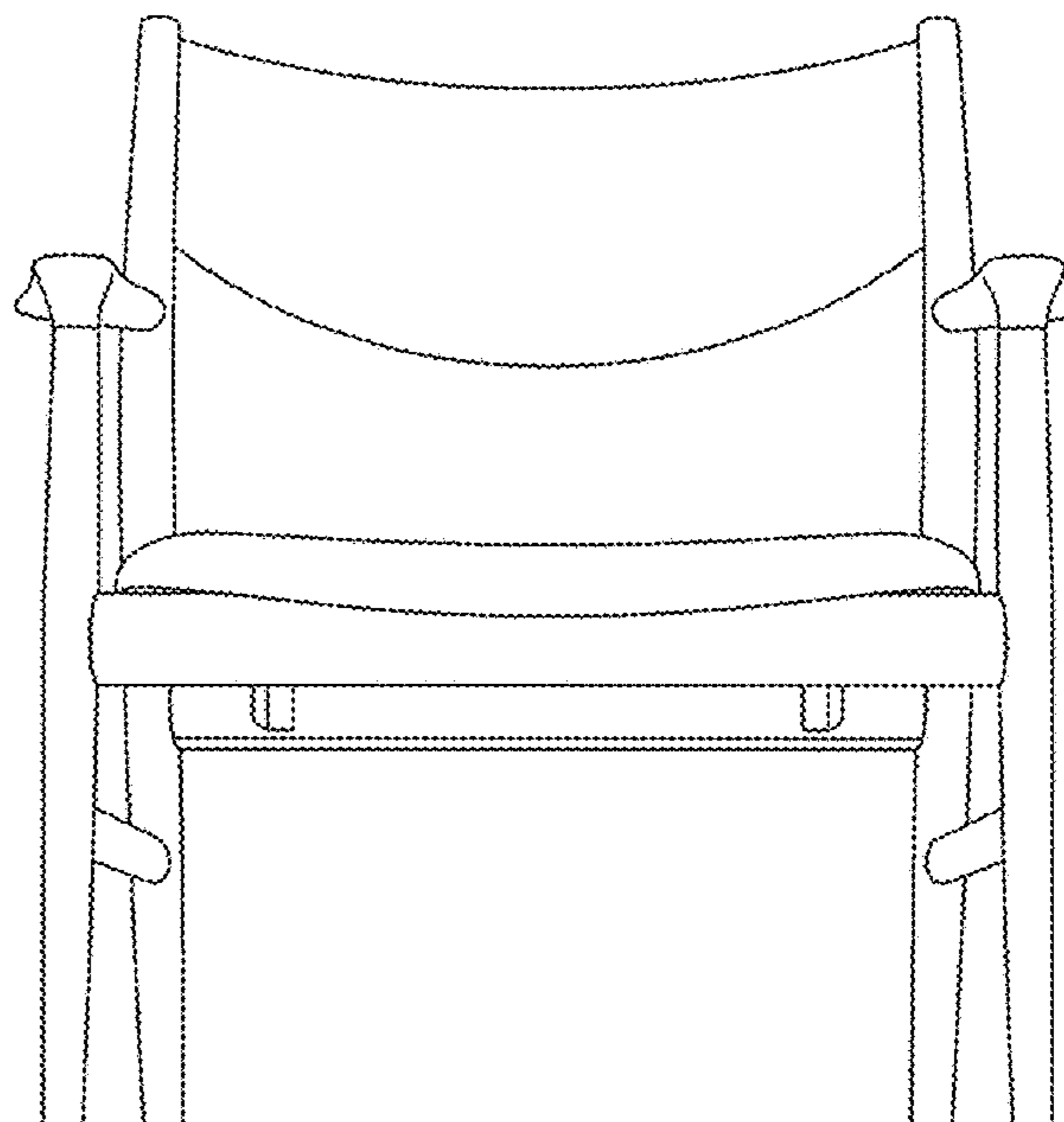
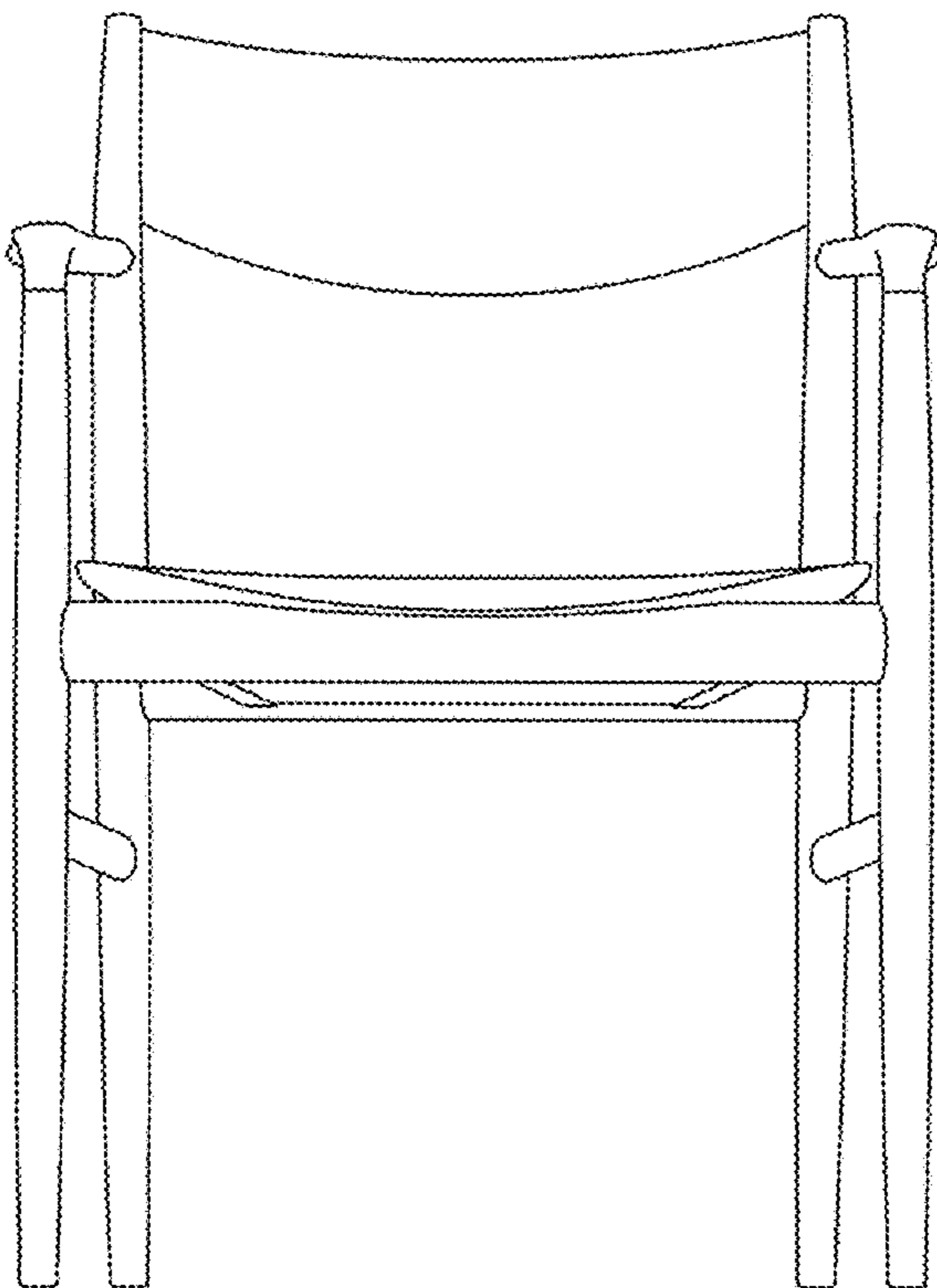
(57) **CLAIM**

The ornamental design for a chair, as shown and described.

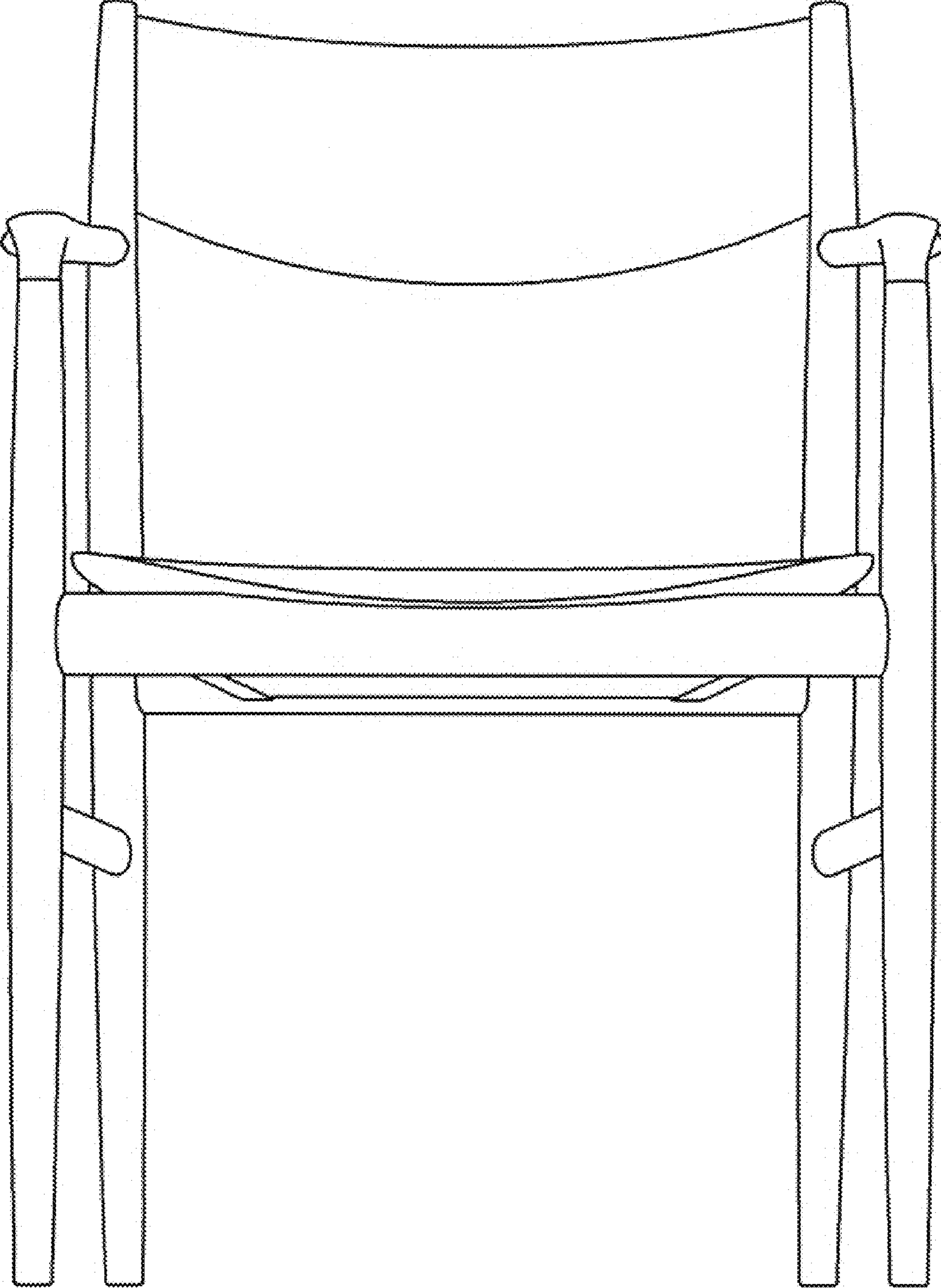
DESCRIPTION

- 1.-2. Chairs
- 1.1 : Front
- 1.2 : Back
- 1.3 : Top
- 1.4 : Bottom
- 1.5 : Left
- 1.6 : Right
- 2.1 : Front
- 2.2 : Back
- 2.3 : Top
- 2.4 : Bottom
- 2.5 : Left
- 2.6 : Right

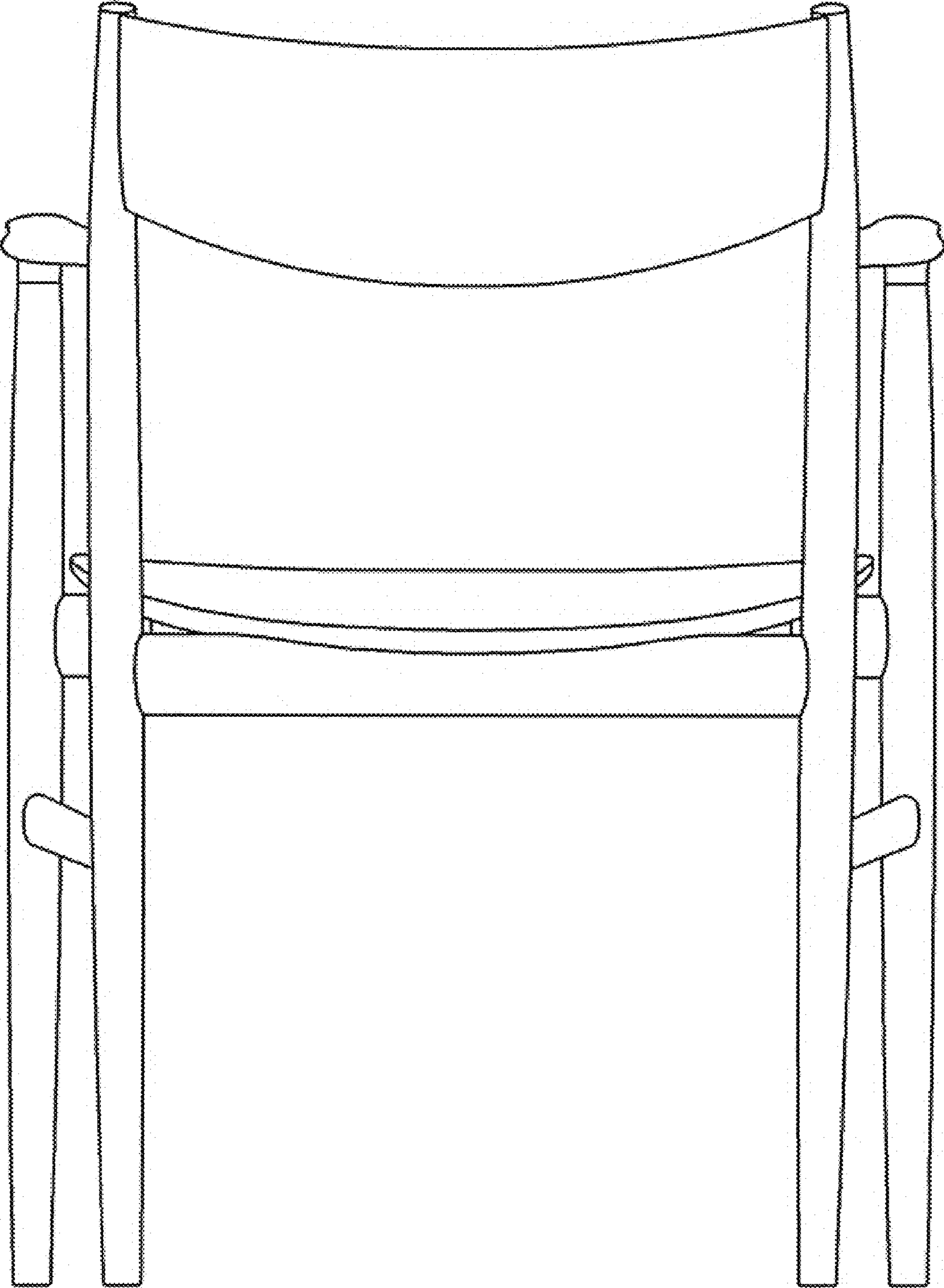
1 Claim, 12 Drawing Sheets



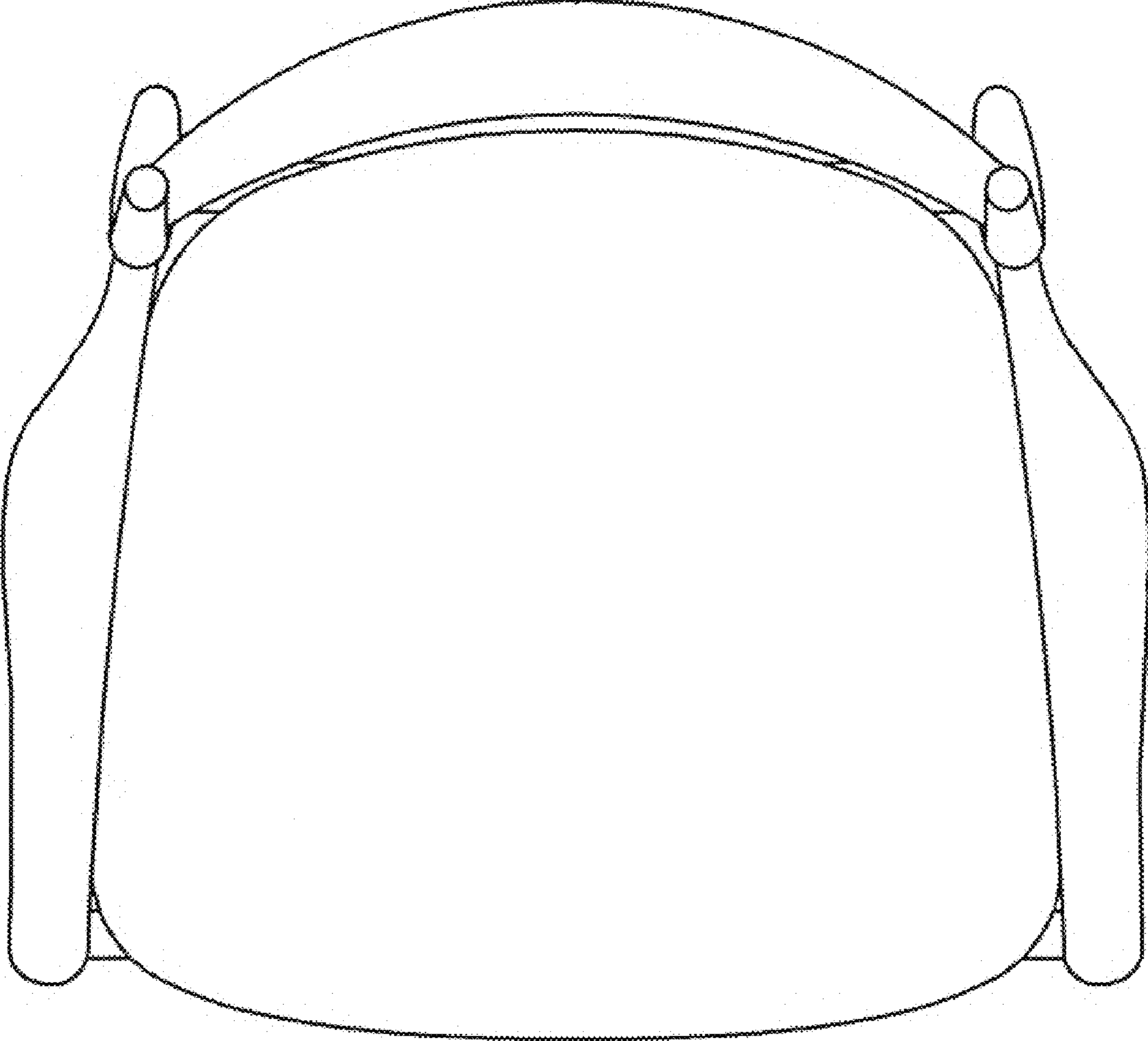
1.1



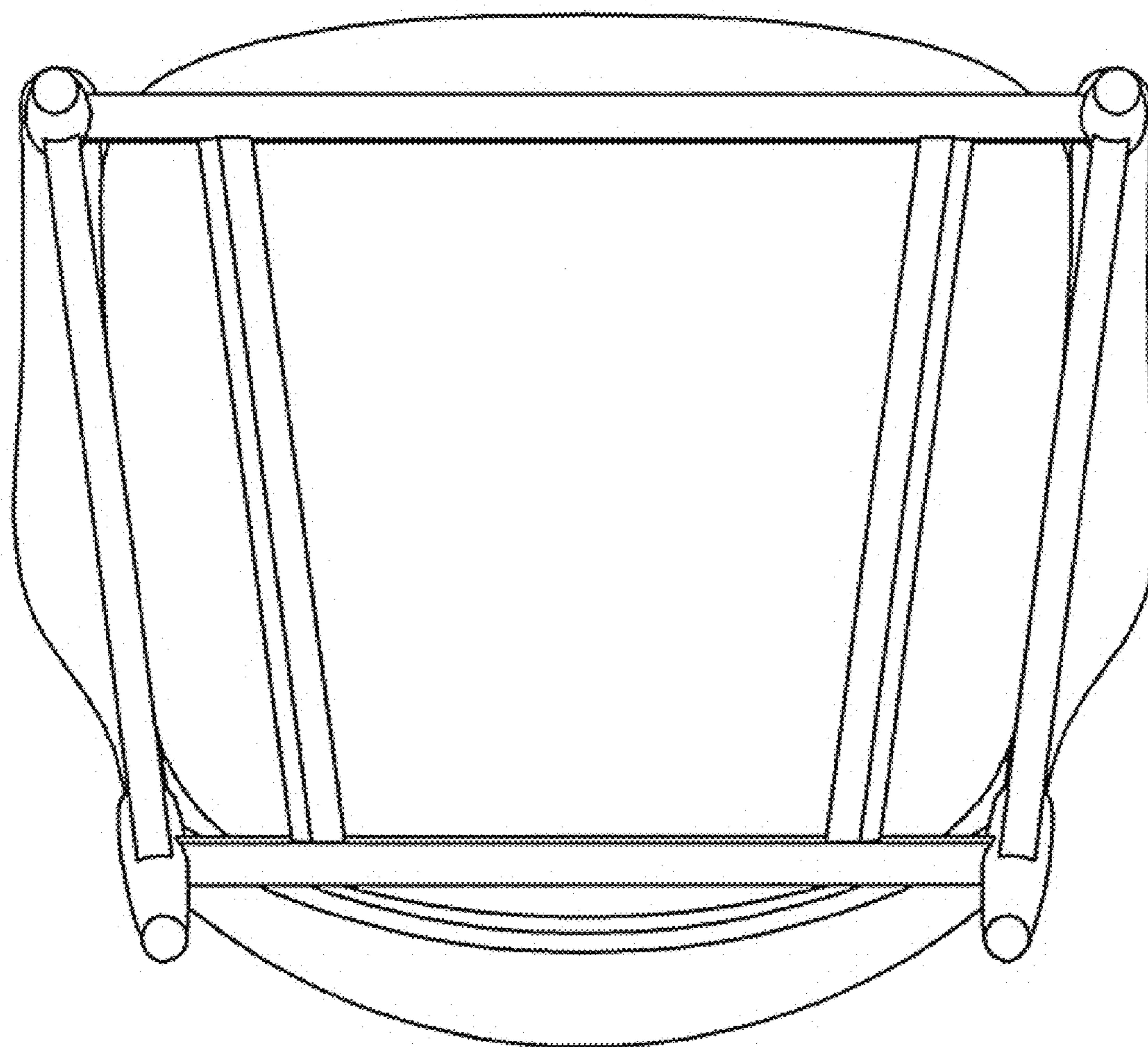
1.2



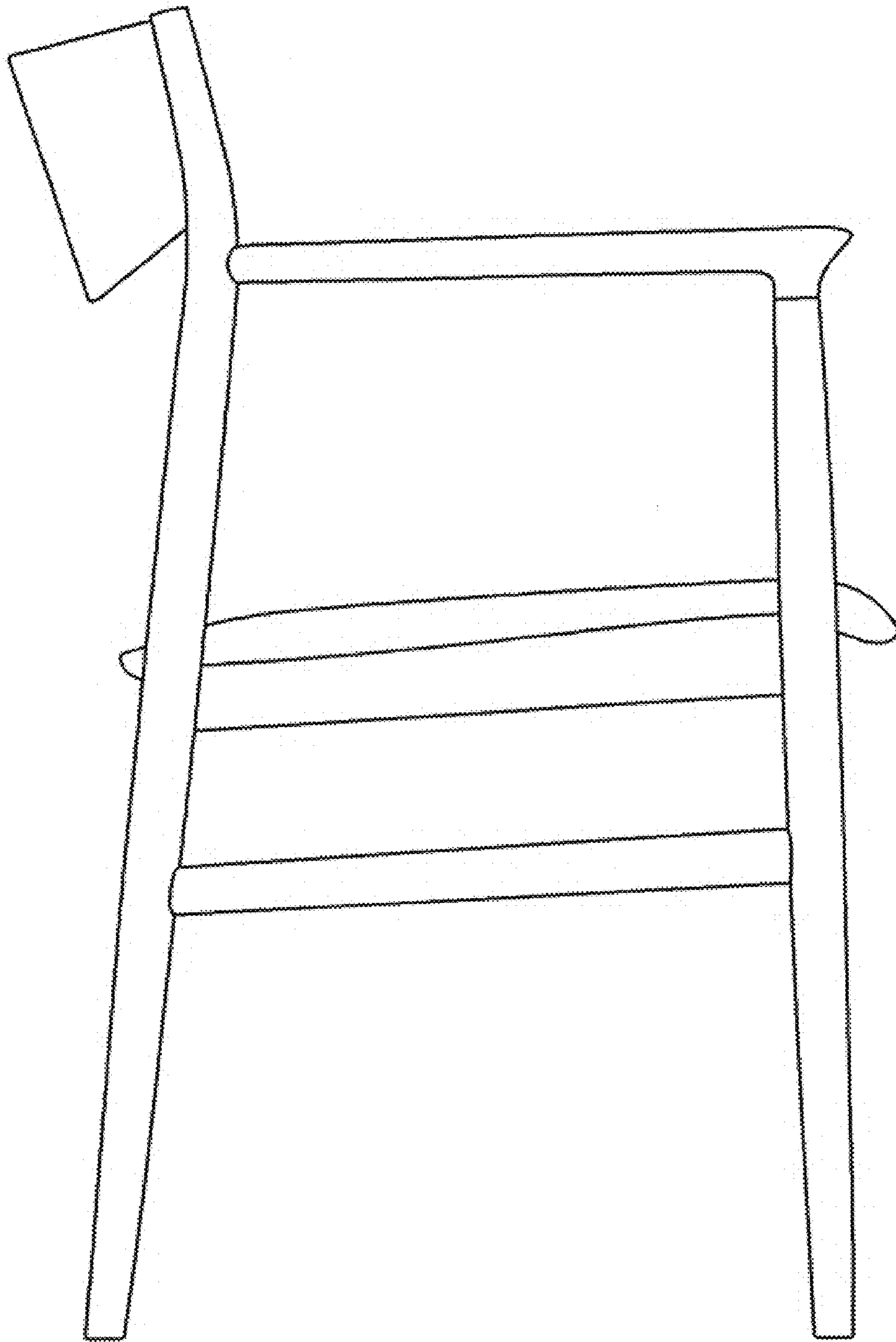
1.3



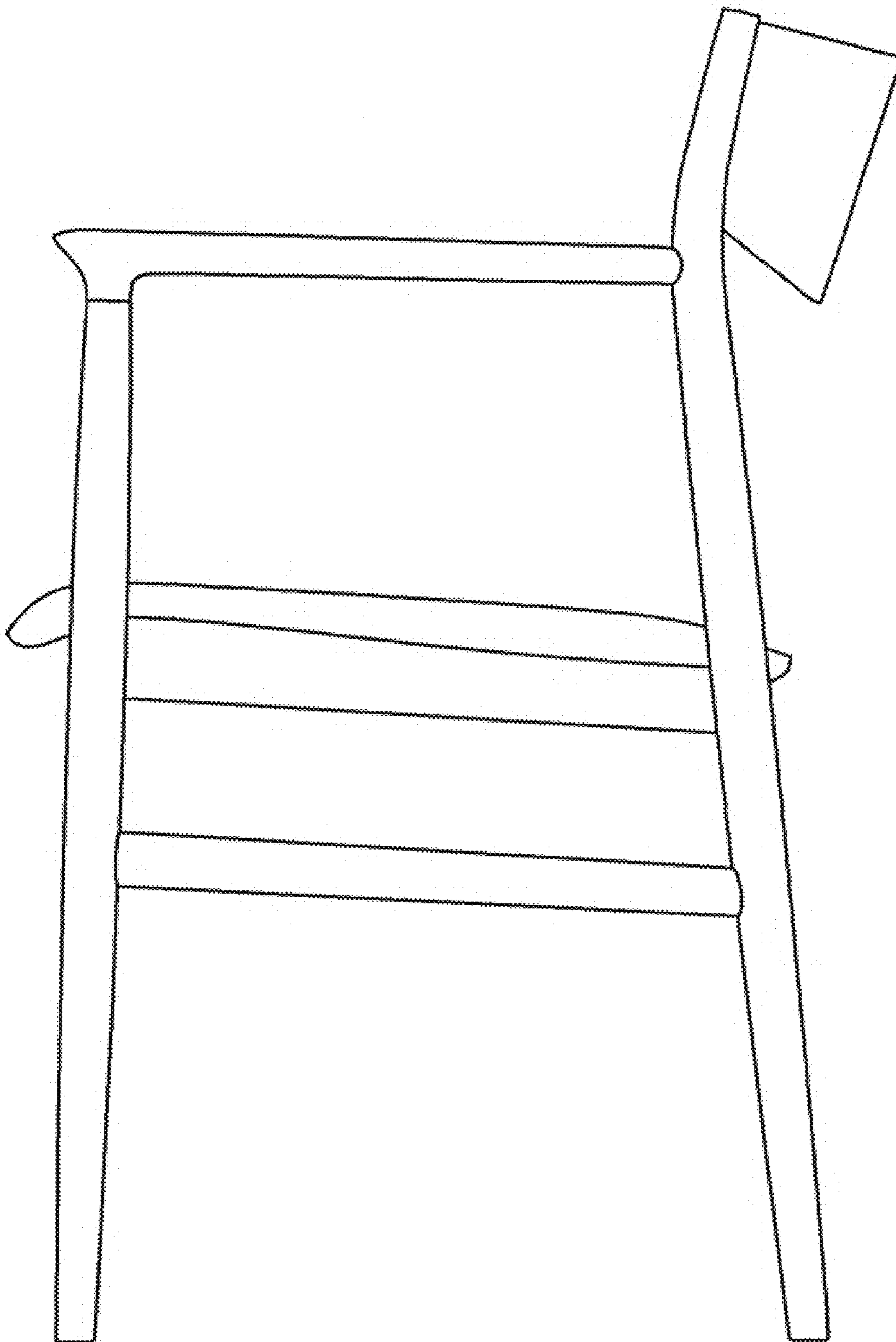
1.4



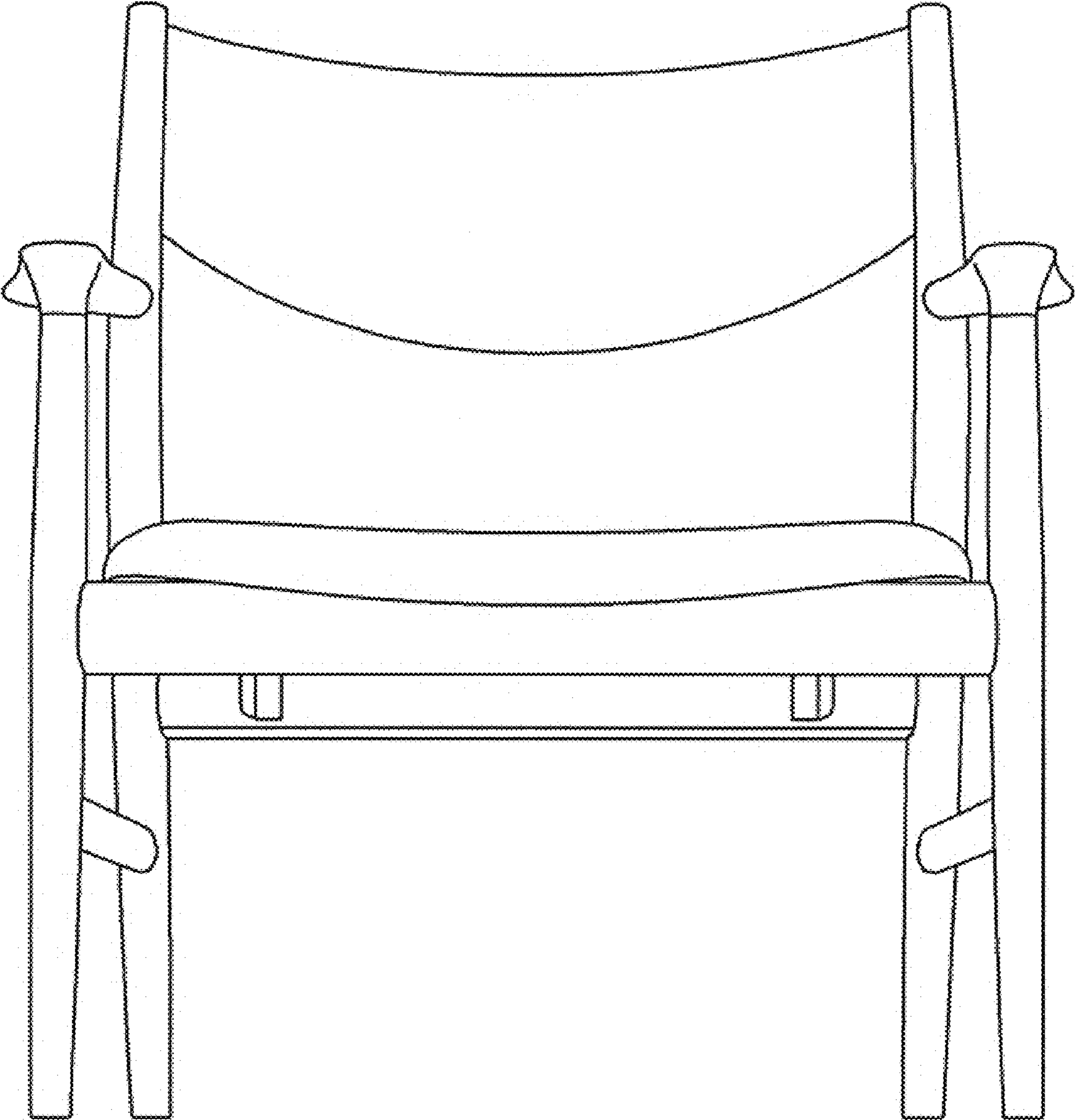
1.5



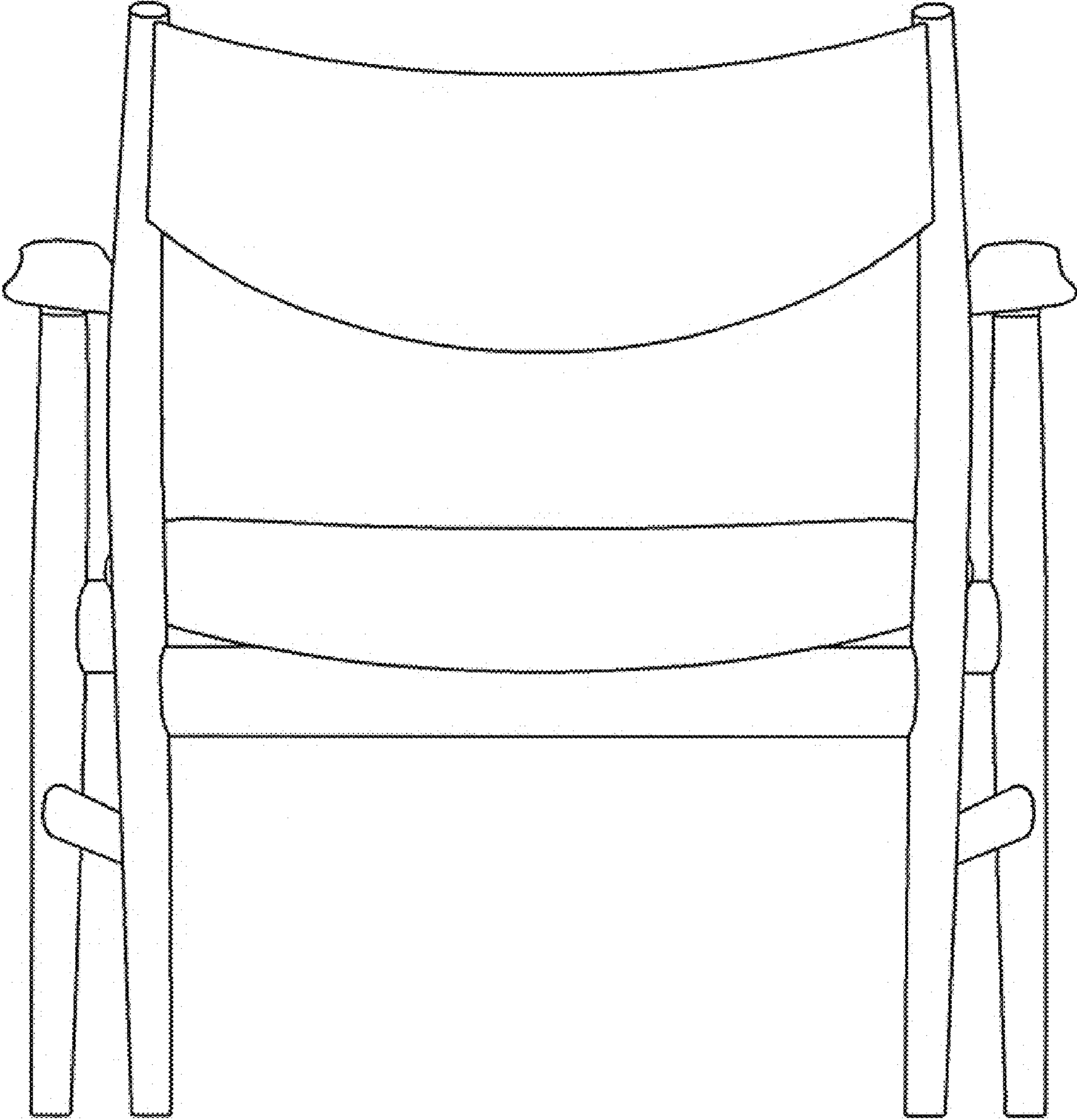
1.6



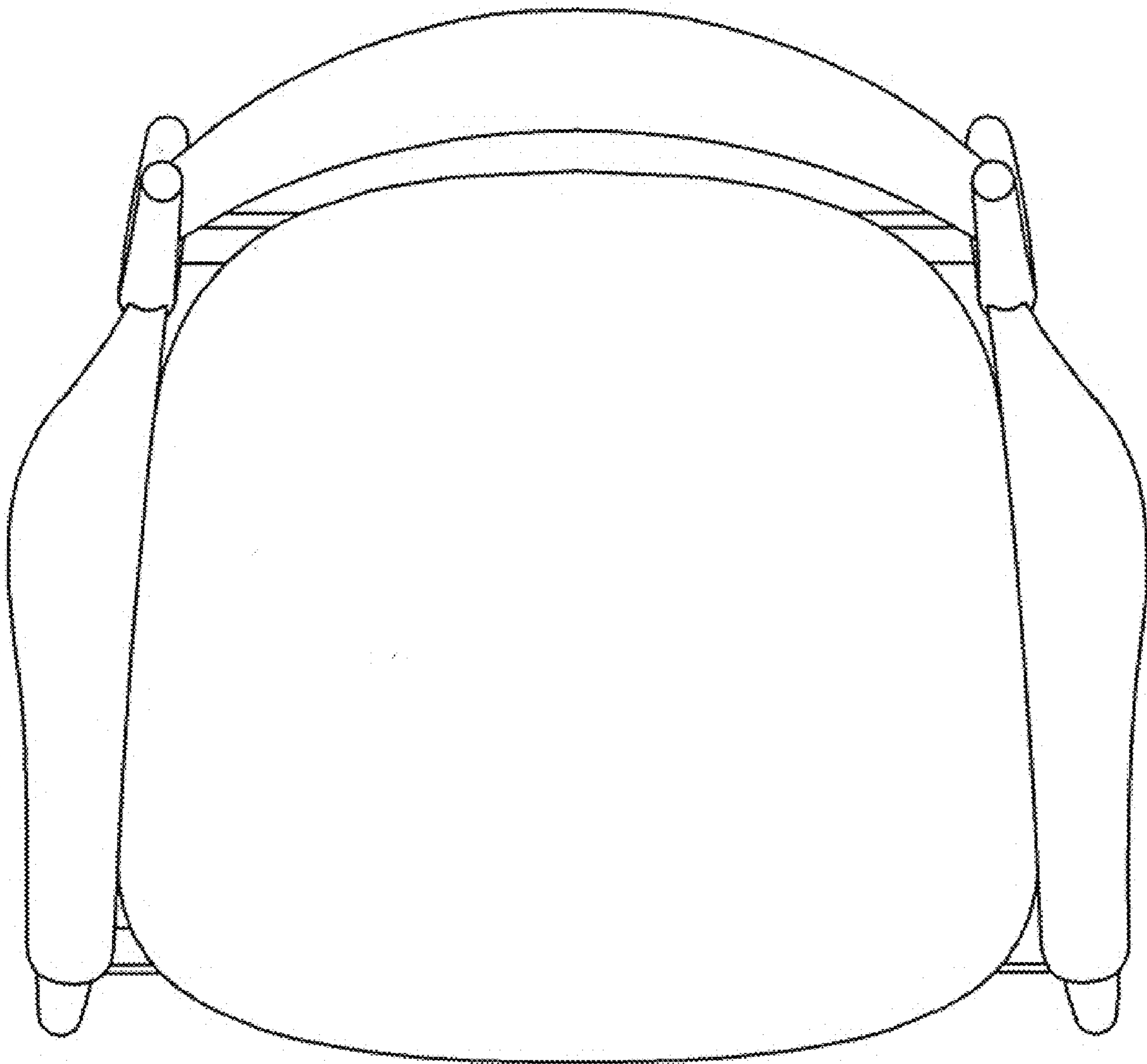
2.1



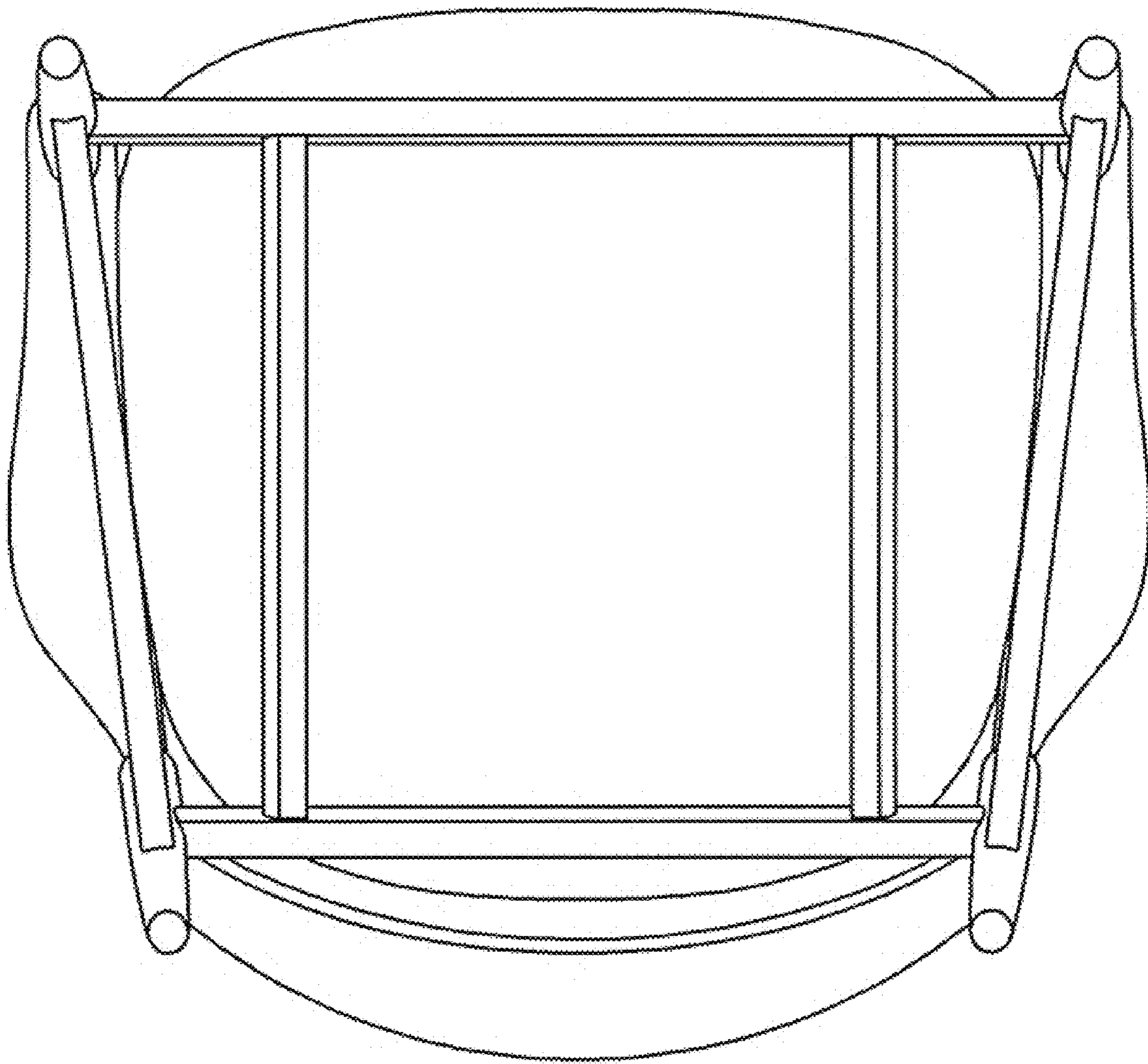
2.2



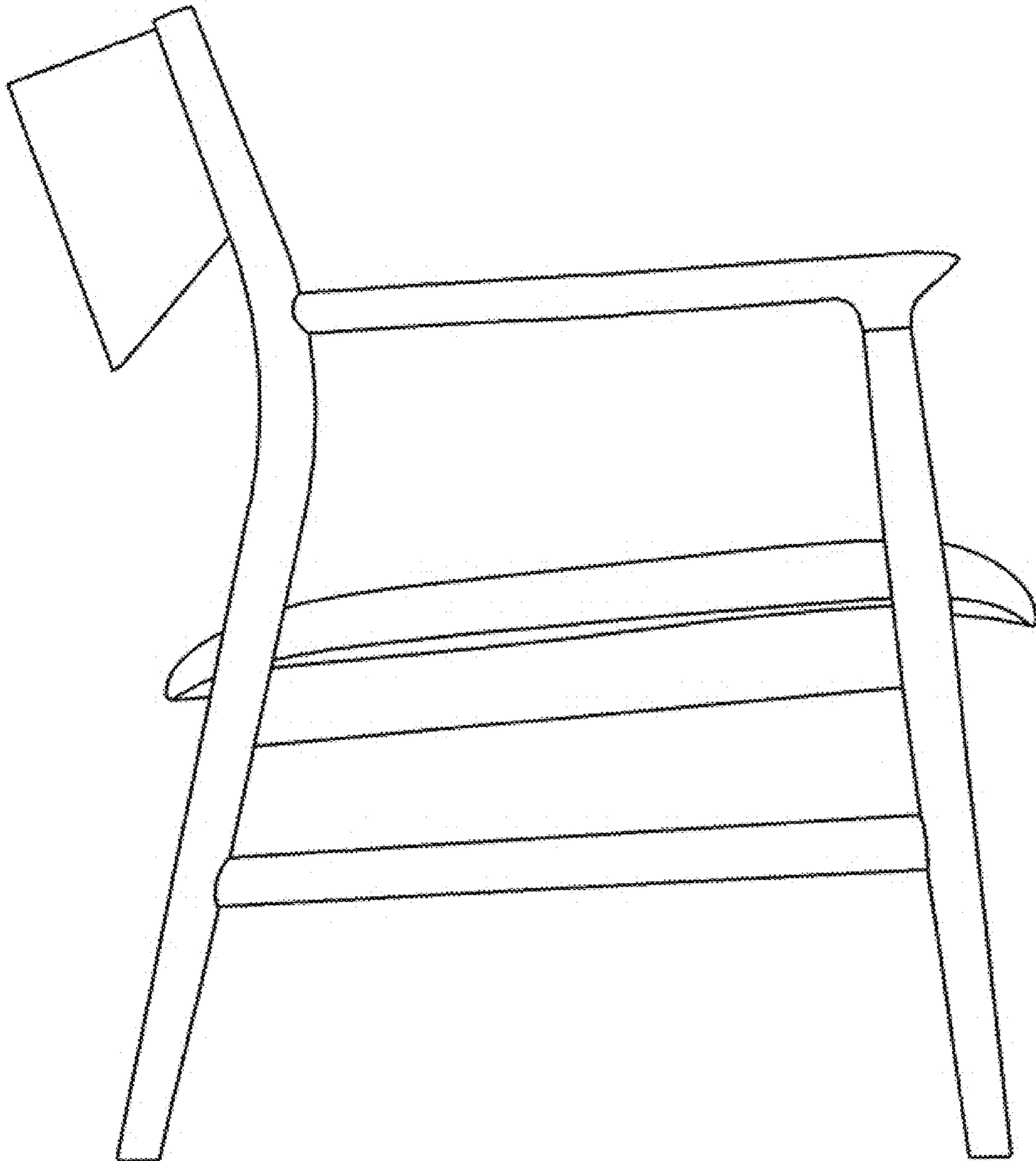
2.3



2.4



2.5



2.6

