



US00D801062S

(12) **United States Design Patent** (10) **Patent No.:** **US D801,062 S**
Lin (45) **Date of Patent:** **** Oct. 31, 2017**

(54) **FOLDING CHAIR**
(71) Applicant: **Yu-Shan Lin**, Taichung (TW)
(72) Inventor: **Yu-Shan Lin**, Taichung (TW)
(**) Term: **15 Years**
(21) Appl. No.: **29/572,341**
(22) Filed: **Jul. 27, 2016**
(51) **LOC (10) Cl.** **06-01**
(52) **U.S. Cl.**
USPC **D6/347**
(58) **Field of Classification Search**
USPC D6/334, 336, 344, 345, 348-350, 352,
D6/353, 355, 358, 360, 368-371, 373,
D6/375, 379-381, 677, 692.3, 708,
D6/708.16, 717, 364; D21/521, 534-539,
D21/674, 676, 687, 688, 690, 828;
D11/184; D23/292
CPC A47C 3/029; A47C 3/027; A47C 3/02;
A47C 3/04; A47C 3/34; A47C 3/045;
A47C 4/03; A47C 4/04; A47C 4/06;
A47C 4/10; A47C 4/14; A47C 4/24;
A47C 4/20; A47C 5/12; A47C 5/10;
A47C 9/007; A47C 7/02; A47C 7/506;
A47C 7/52; A47C 7/38; A47C 7/16;
A47C 7/402; A47D 1/00; A47D 13/10
See application file for complete search history.

3,899,207 A * 8/1975 Mueller A47C 3/04
297/239
4,298,227 A * 11/1981 Berthier A47C 4/14
297/58
D465,665 S * 11/2002 Ritchie D6/368
D477,470 S * 7/2003 Haney D6/368
D506,325 S * 6/2005 Farber D6/368
D523,254 S * 6/2006 Nye D6/368
2004/0239153 A1 * 12/2004 Leng A47C 3/045
297/56
2005/0035636 A1 * 2/2005 Turner A47C 7/48
297/270.2
2005/0104421 A1 * 5/2005 Astle A47C 7/16
297/183.7
2007/0029846 A1 * 2/2007 Cohen A47C 4/20
297/16.1
2011/0298263 A1 * 12/2011 Bateman A47C 7/402
297/338
2012/0074737 A1 * 3/2012 Huang A47C 4/24
297/16.1
2012/0319435 A1 * 12/2012 Choi A47C 4/24
297/51

(Continued)

Primary Examiner — Kevin Rudzinski
Assistant Examiner — Paul Bohannon
(74) *Attorney, Agent, or Firm* — C. G. Mersereau;
Nikolai & Mersereau, P.A.

(57) **CLAIM**

The ornamental design for a folding chair, as shown and described.

DESCRIPTION

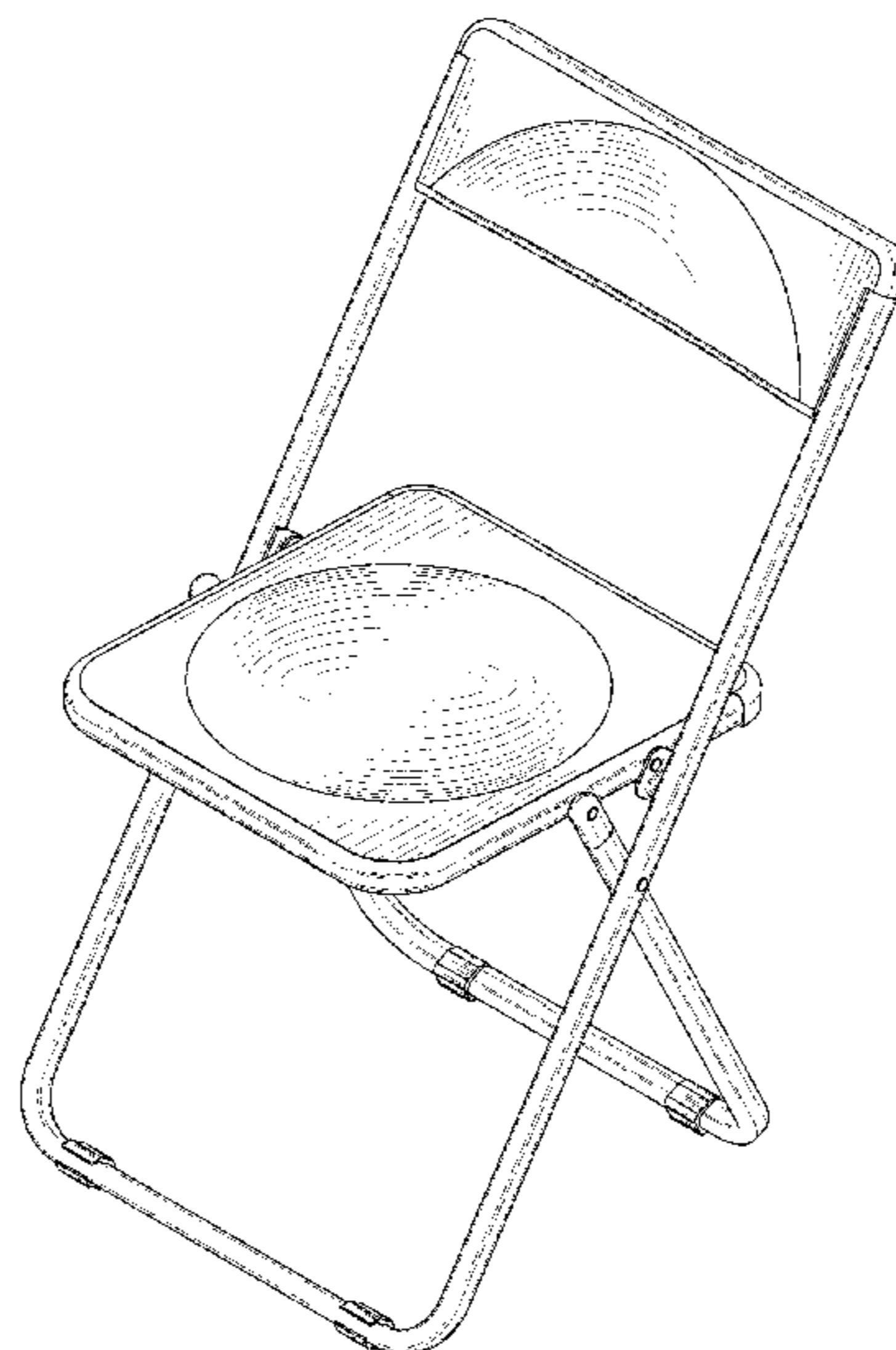
FIG. 1 is a perspective view of the folding chair
FIG. 2 is a front elevation view thereof;
FIG. 3 is a rear elevation view thereof;
FIG. 4 is a left side elevation view thereof;
FIG. 5 is a right side elevation view thereof;
FIG. 6 is a top plan view thereof; and,
FIG. 7 is a bottom plan view thereof.

1 Claim, 7 Drawing Sheets

(56) **References Cited**

U.S. PATENT DOCUMENTS

1,341,050 A * 5/1920 Evangelist A47C 4/10
297/59
1,704,712 A * 3/1929 Silverman A47C 4/06
248/432
1,716,526 A * 6/1929 Mason A47C 4/14
297/59
1,895,897 A * 1/1933 Rastetter A47C 4/14
297/58



(56)

References Cited

U.S. PATENT DOCUMENTS

2015/0230614 A1* 8/2015 Leng A47C 7/02
297/56
2016/0338492 A1* 11/2016 Piretti A47C 4/04
2017/0172304 A1* 6/2017 Piretti A47C 4/04

* cited by examiner

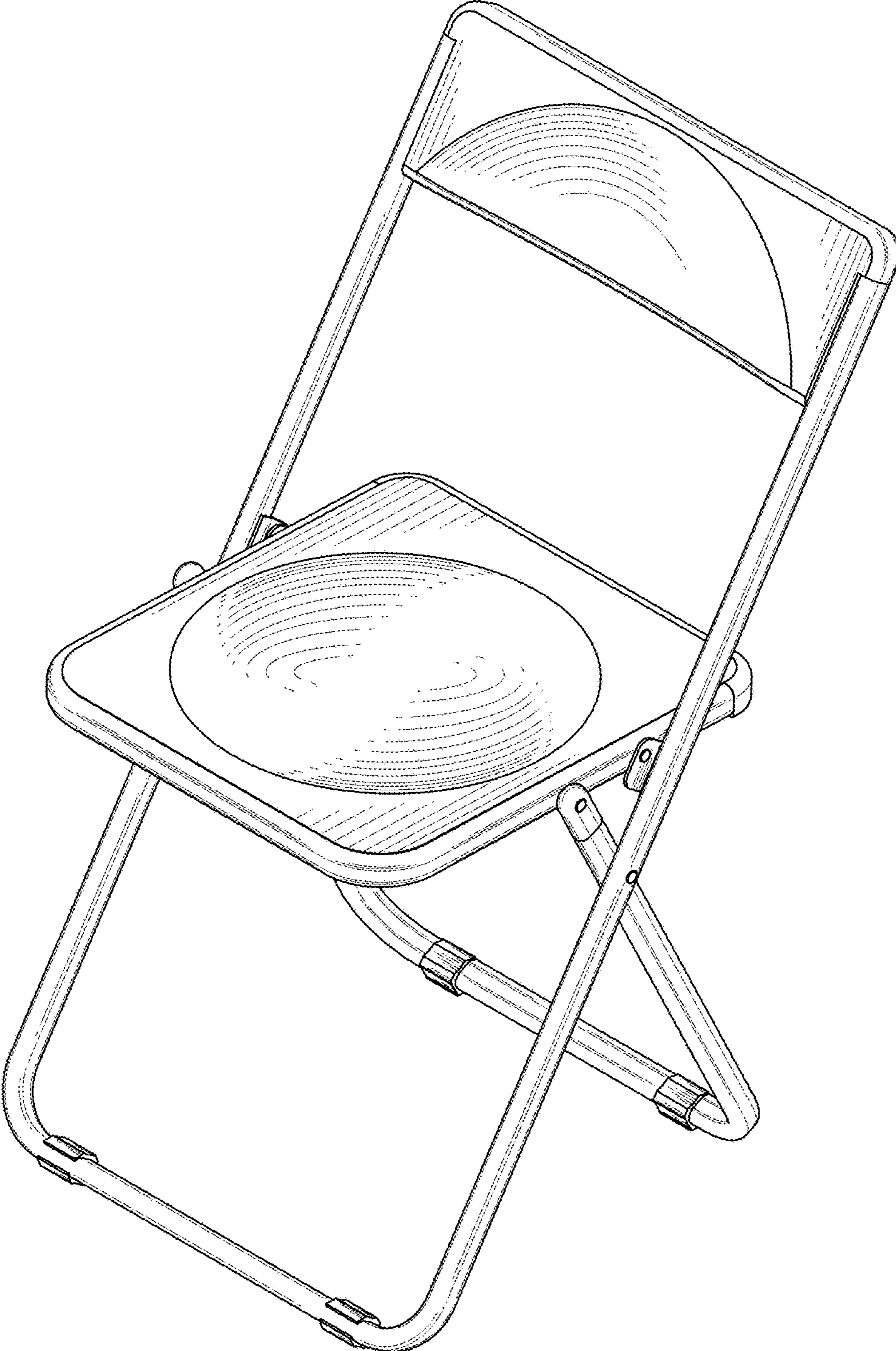


FIG. 1

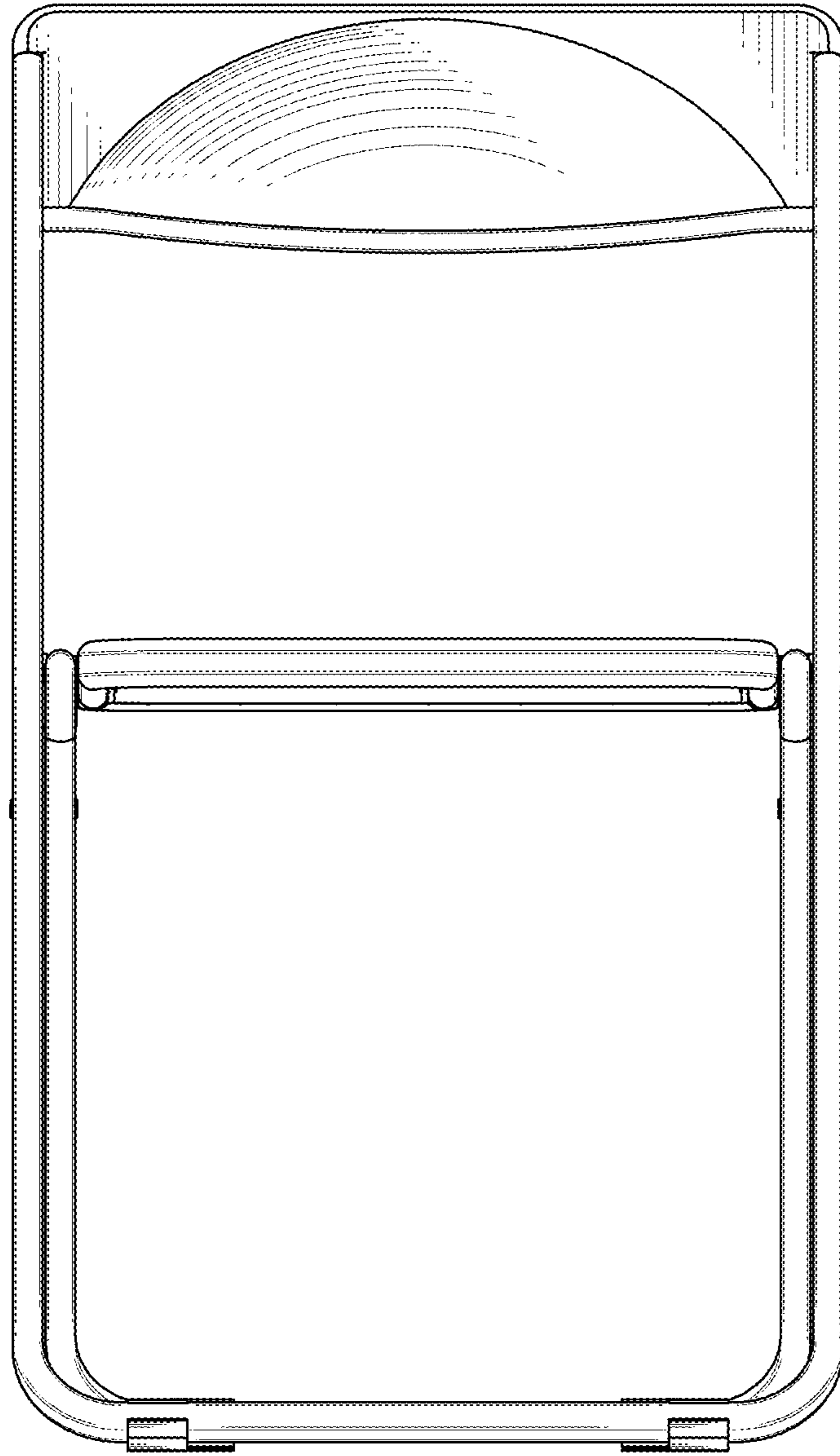


FIG. 2

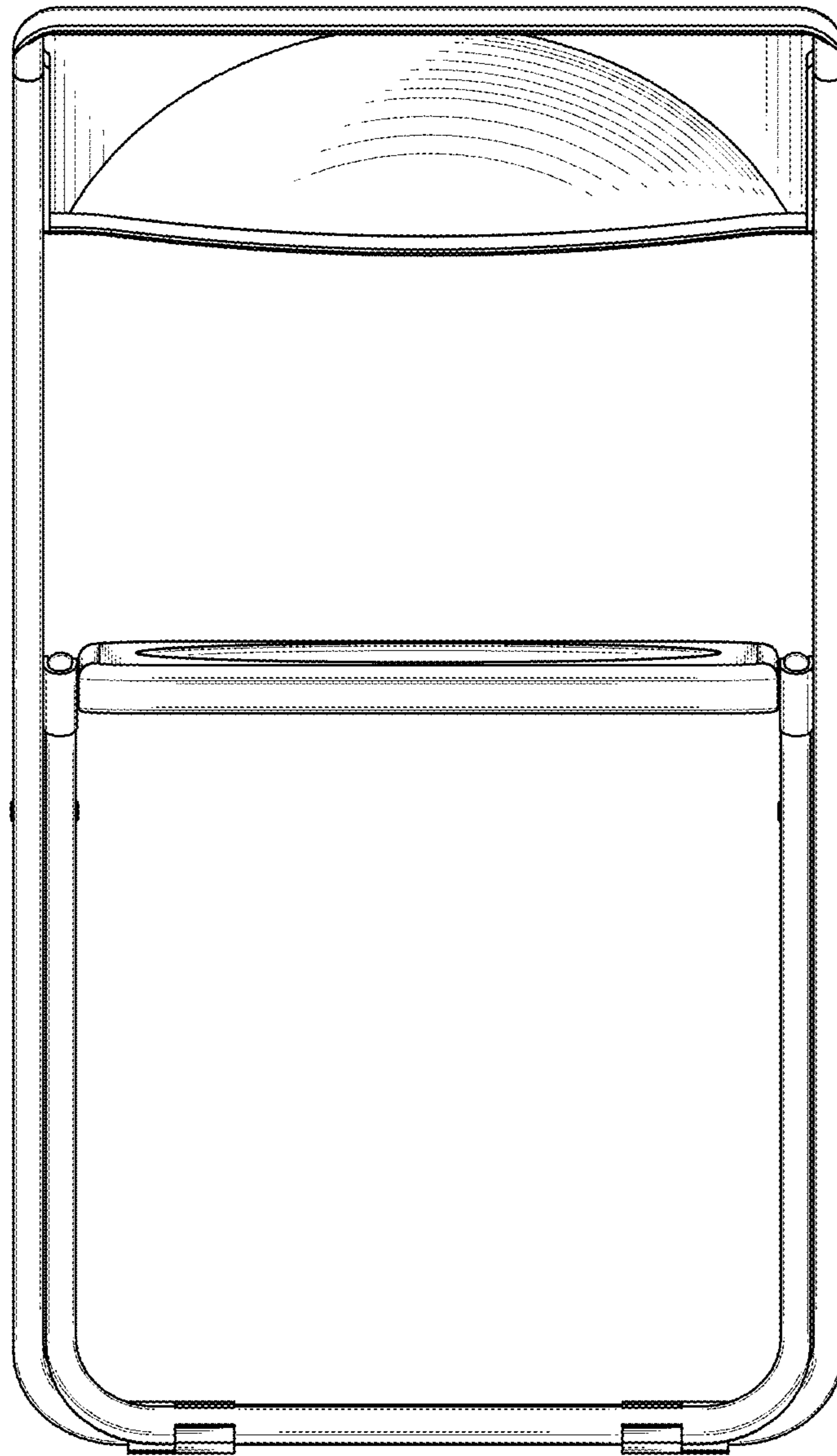


FIG. 3

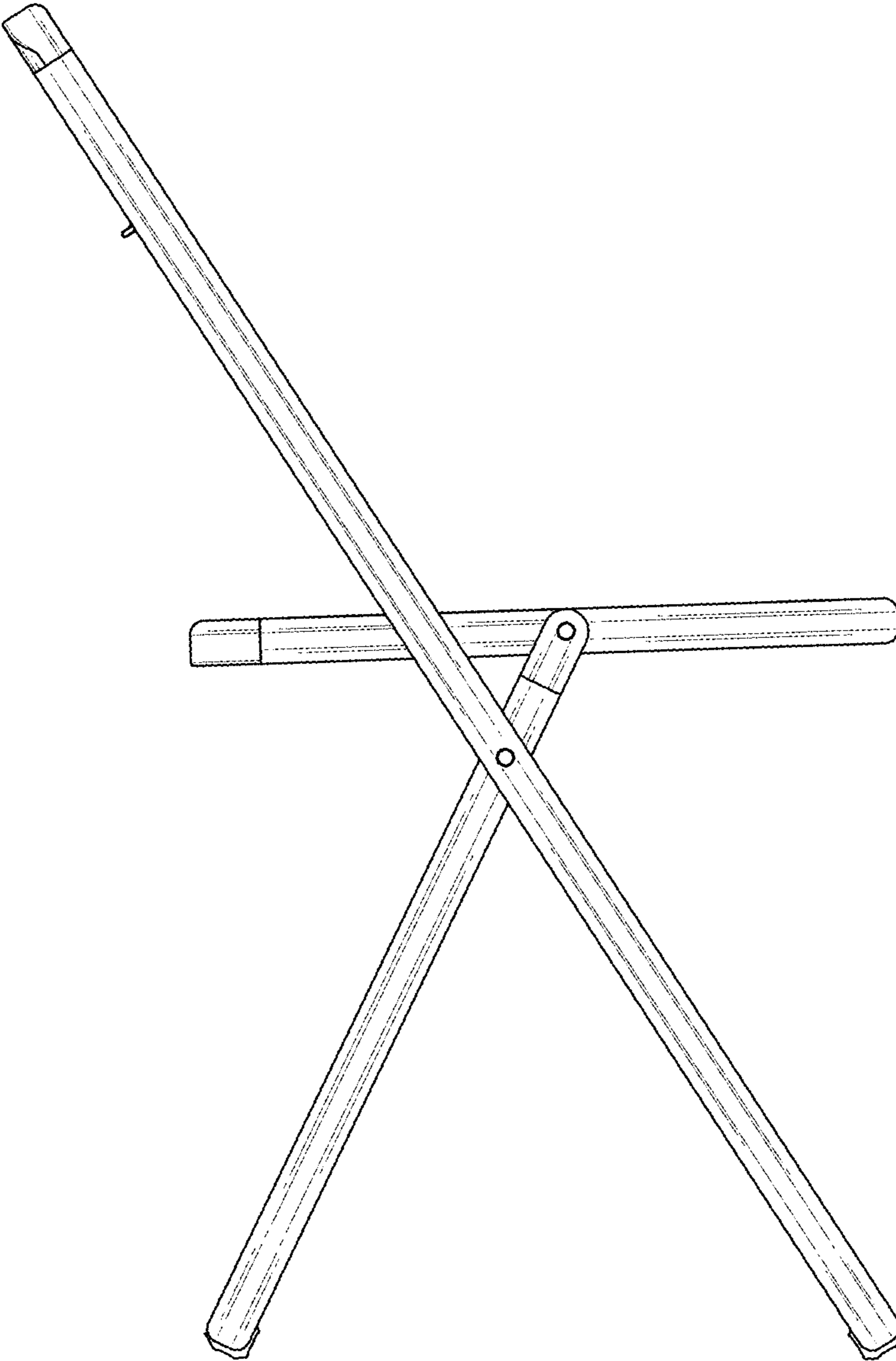


FIG. 4

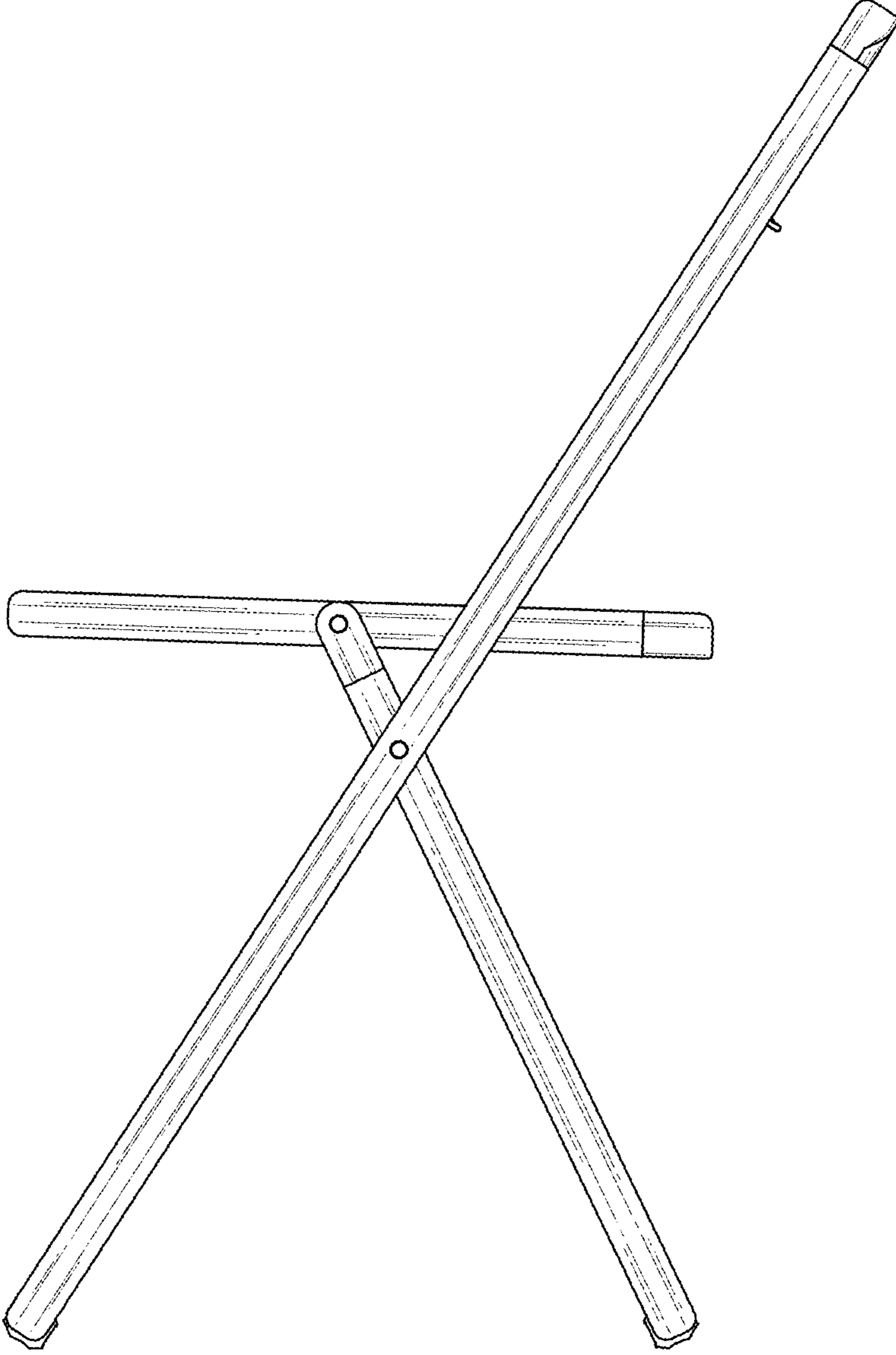


FIG. 5

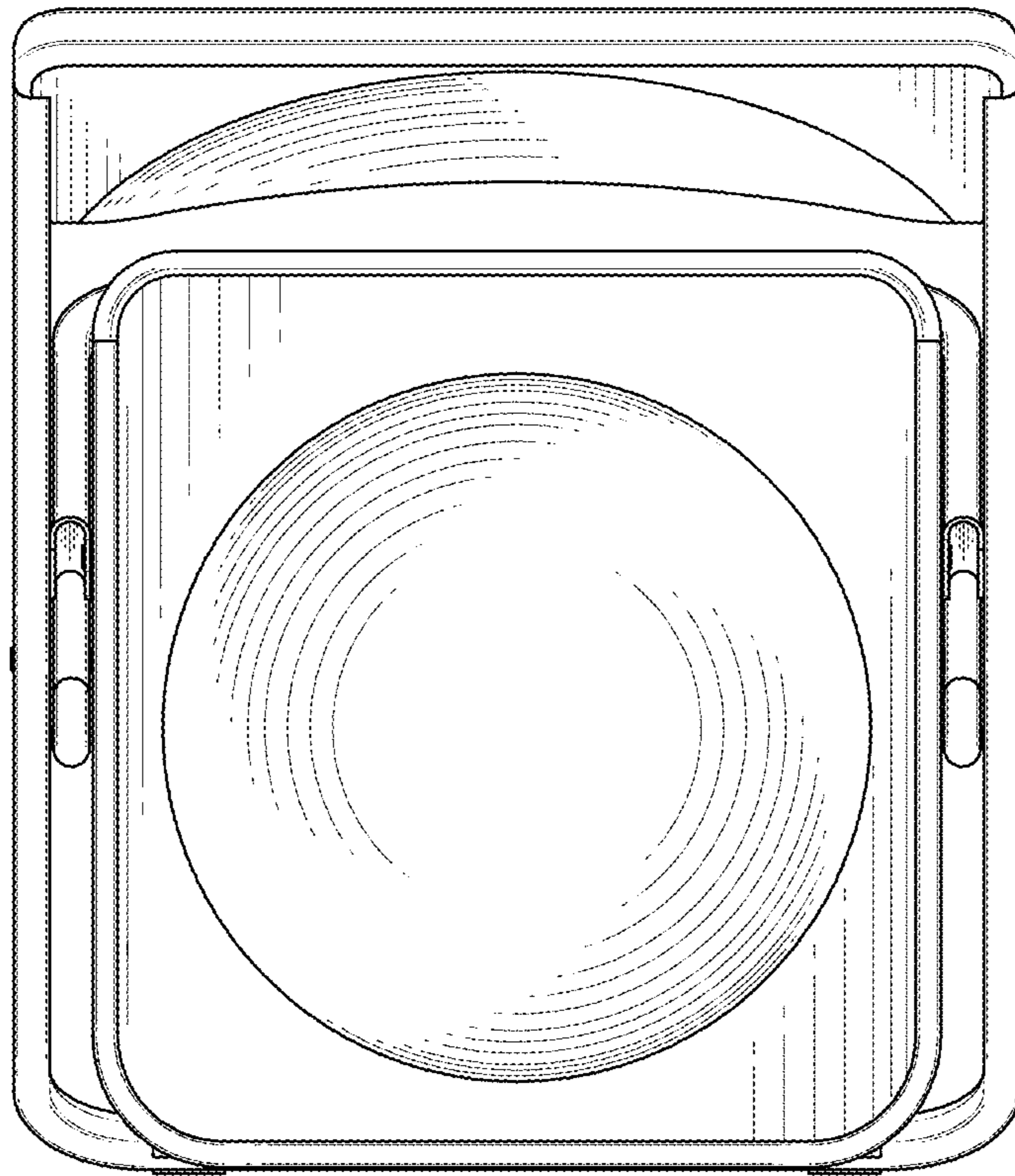


FIG. 6

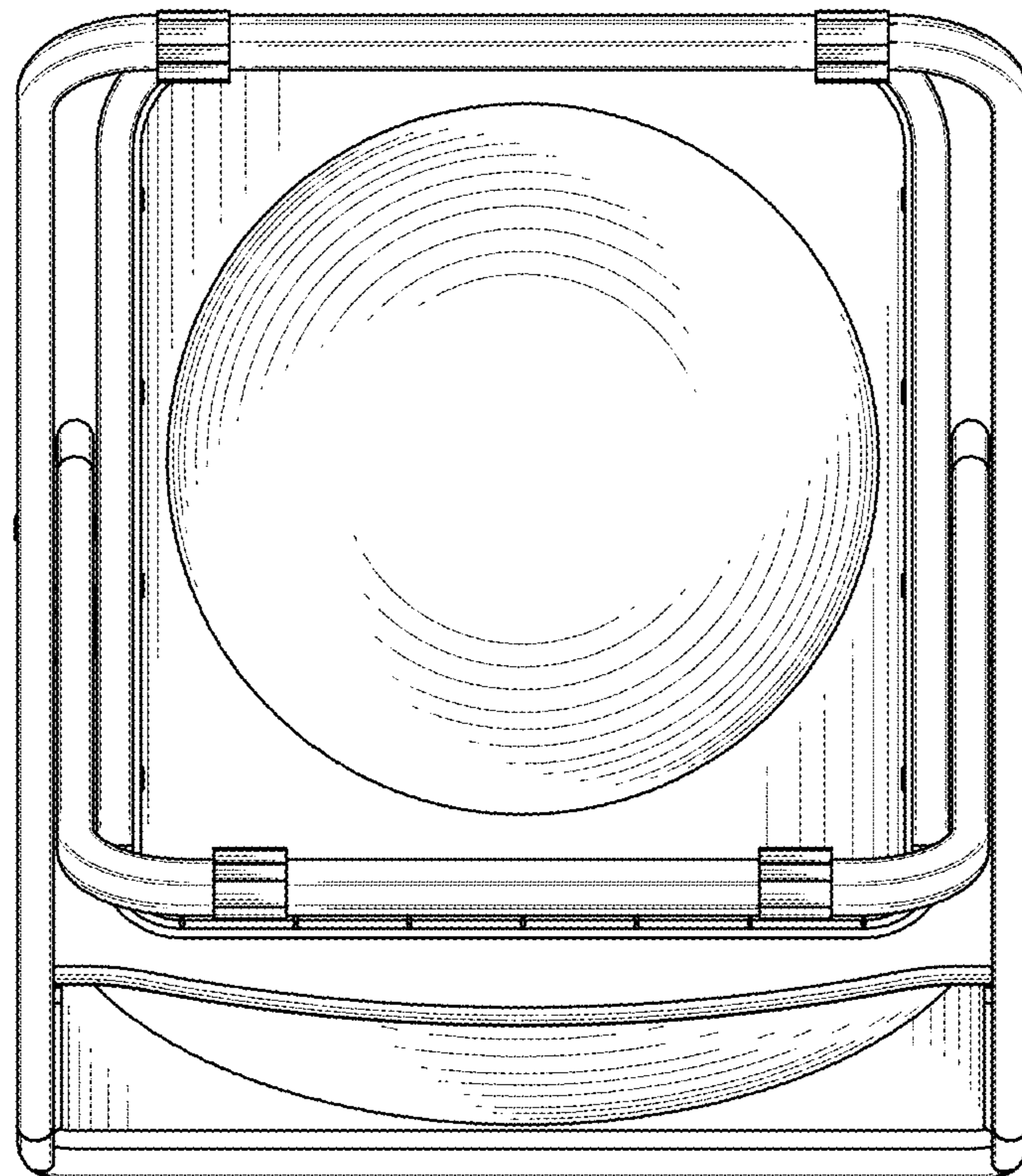


FIG. 7