



US00D801061S

(12) **United States Design Patent** (10) **Patent No.:** **US D801,061 S**
Wirth (45) **Date of Patent:** **** Oct. 31, 2017**

- (54) **CLIP FOR CLOTHES HANGERS**
- (71) Applicant: **Liberty Procurement Co. Inc.**, Union, NJ (US)
- (72) Inventor: **Joshua Wirth**, Mountainside, NJ (US)
- (73) Assignee: **Liberty Procurement Co. Inc.**, Union, NJ (US)
- (**) Term: **15 Years**
- (21) Appl. No.: **29/571,632**
- (22) Filed: **Jul. 20, 2016**

Related U.S. Application Data

- (62) Division of application No. 29/530,927, filed on Jun. 22, 2015, now Pat. No. Des. 770,190.
- (51) **LOC (10) Cl.** **06-08**
- (52) **U.S. Cl.**
USPC **D6/328; D8/373**
- (58) **Field of Classification Search**
USPC D8/16, 19, 349, 354, 355, 363, 364, 367, D8/370-373, 376, 382, 384-386, 389; D6/323, 328, 550; D11/208; D26/87; D23/223, 238, 252, 257, 259; D20/15
CPC E05C 19/10; E05C 17/50; E05C 3/045; E05C 3/30; E05C 19/02; E05C 19/026; A47G 25/0614; A47G 25/18; A47G 25/32
See application file for complete search history.

- (56) **References Cited**
U.S. PATENT DOCUMENTS
D272,702 S 2/1984 Kingsley, Jr.
D289,972 S 5/1987 Fogelman
D327,641 S 7/1992 Hoskinson et al.
D382,464 S 8/1997 McCoy et al.
D385,481 S 10/1997 Klein et al.
D541,139 S 4/2007 Jackson
D742,728 S 11/2015 Ostler
D746,127 S 12/2015 Cohen
D770,190 S * 11/2016 Wirth D6/328
D774,880 S * 12/2016 Wirth D8/394
* cited by examiner

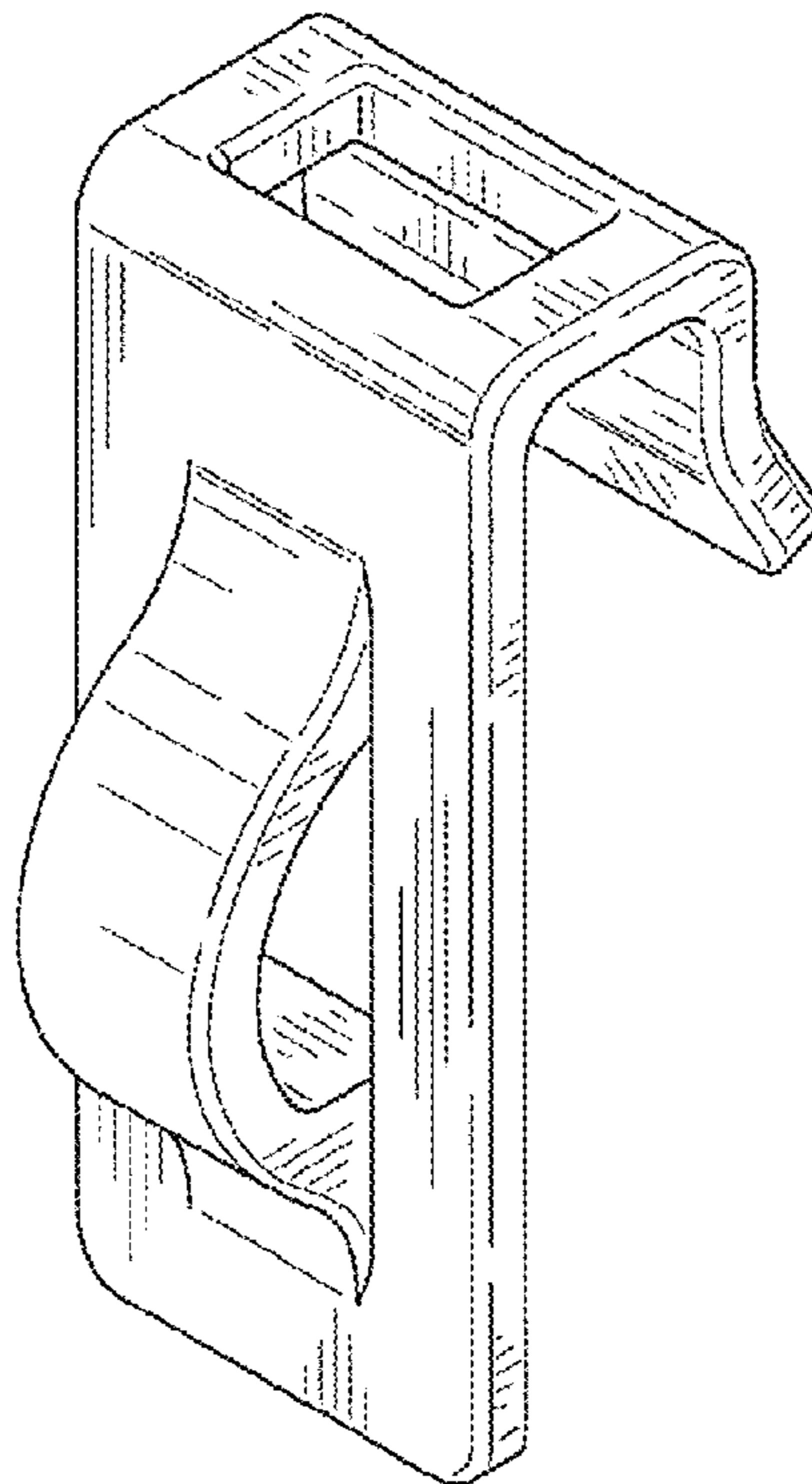
Primary Examiner — Robert M Spear
Assistant Examiner — Eliza Bennett-Hattan
(74) *Attorney, Agent, or Firm* — Lerner, David, Littenberg, Krumholz & Mentlik, LLP

(57) **CLAIM**
The ornamental design for a clip for clothes hangers, as shown and described.

DESCRIPTION

FIG. 1 is a perspective view of the design of my clip for clothes hangers;
FIG. 2 is a front view thereof;
FIG. 3 is a back view thereof;
FIG. 4 is a right view thereof;
FIG. 5 is a left view thereof;
FIG. 6 is a top view thereof; and,
FIG. 7 is a bottom view thereof.

1 Claim, 4 Drawing Sheets



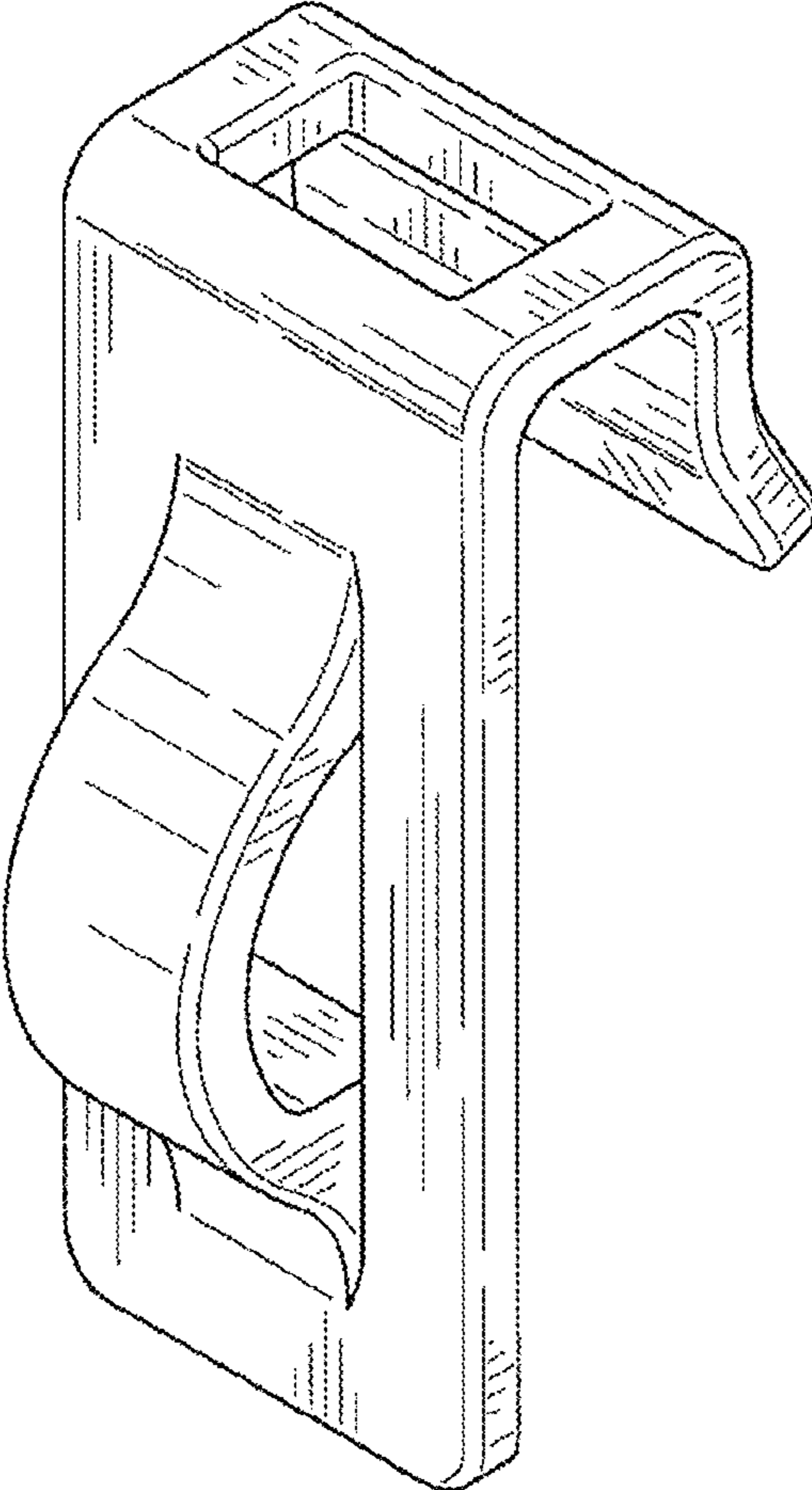


FIG. 1

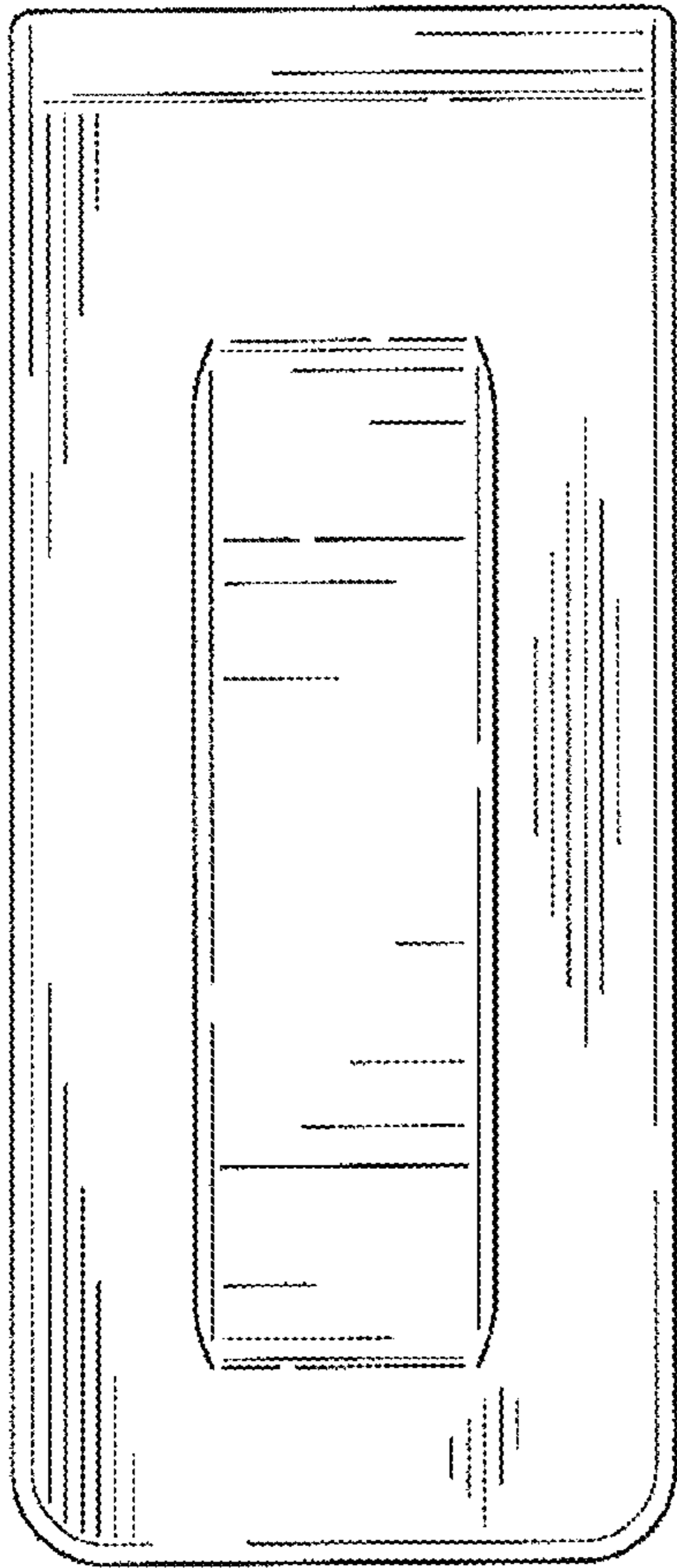


FIG. 2

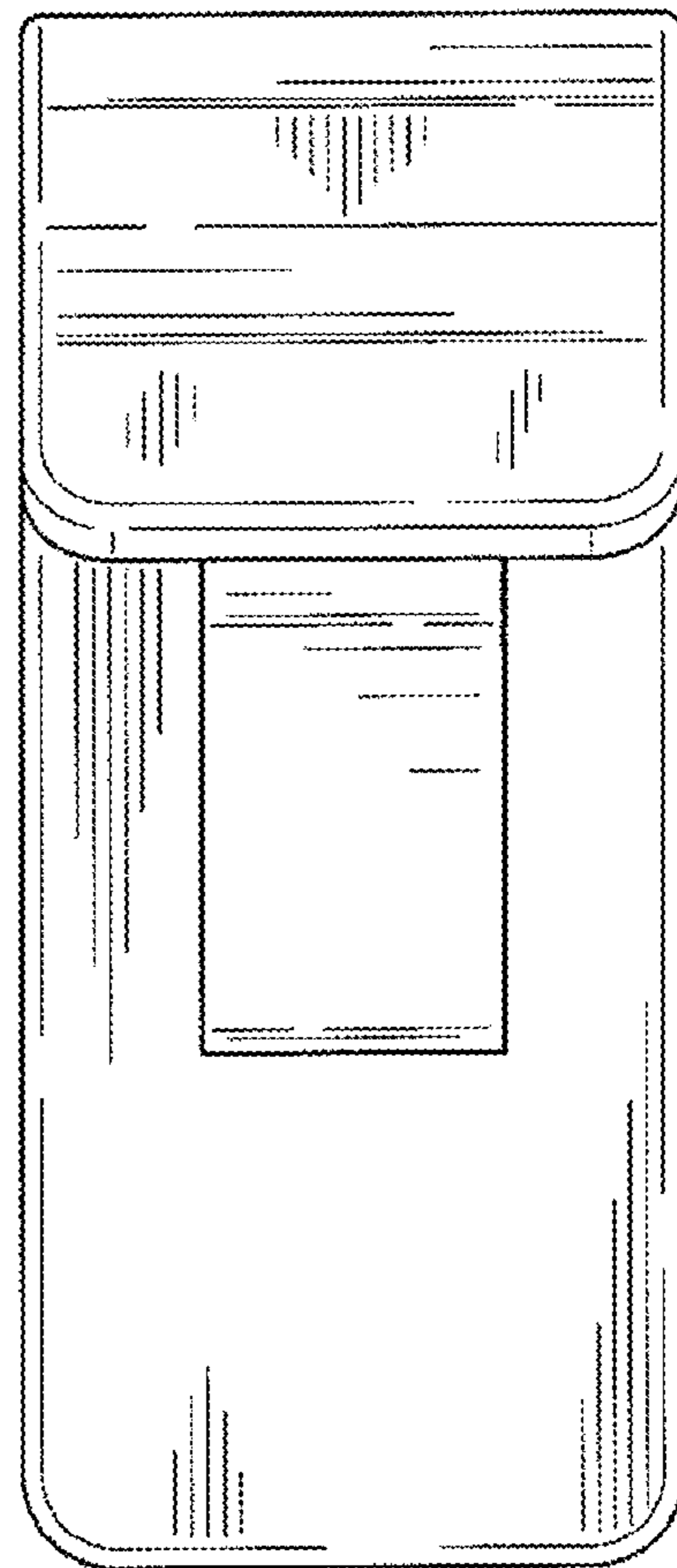


FIG. 3

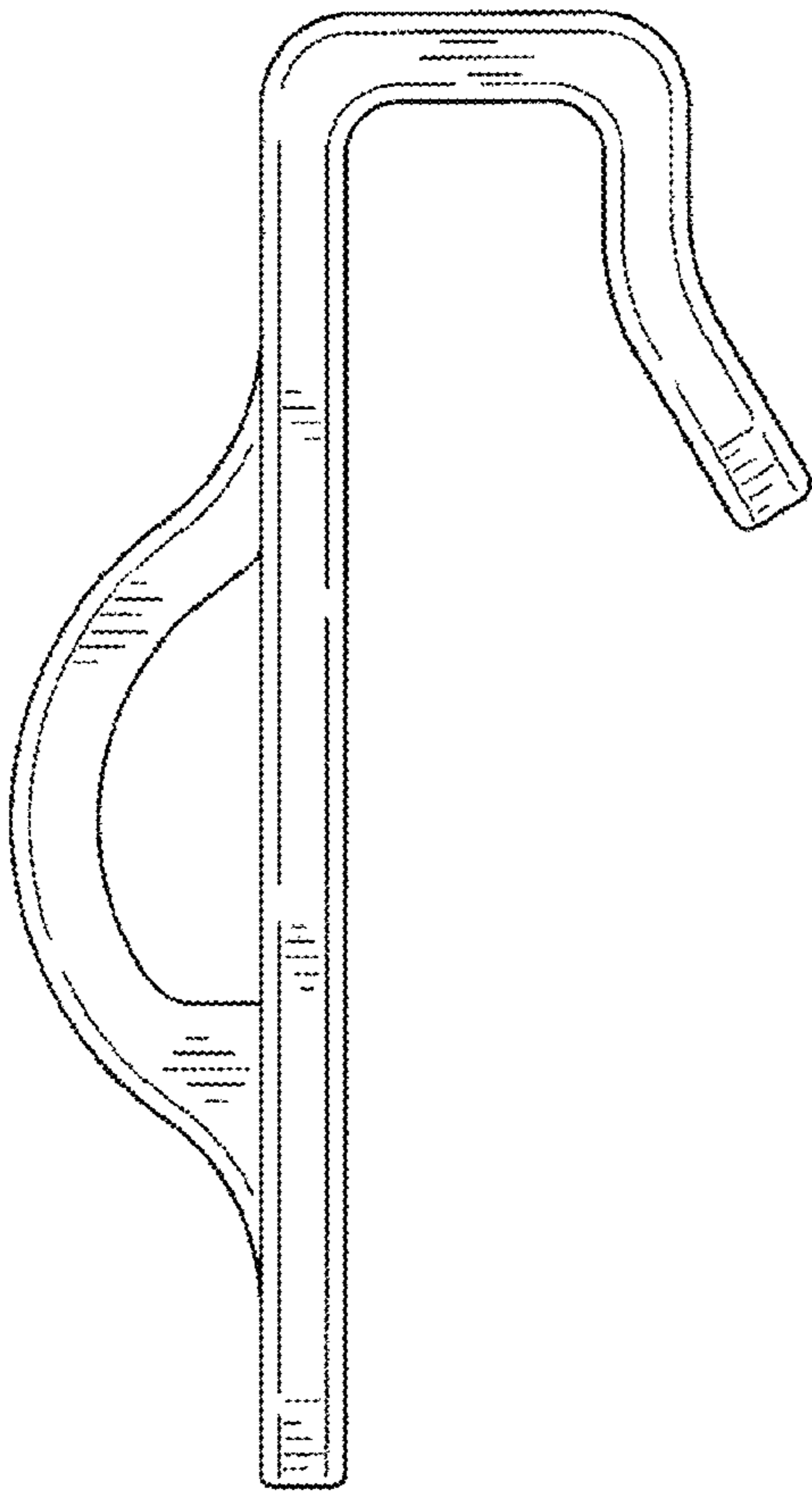


FIG. 4

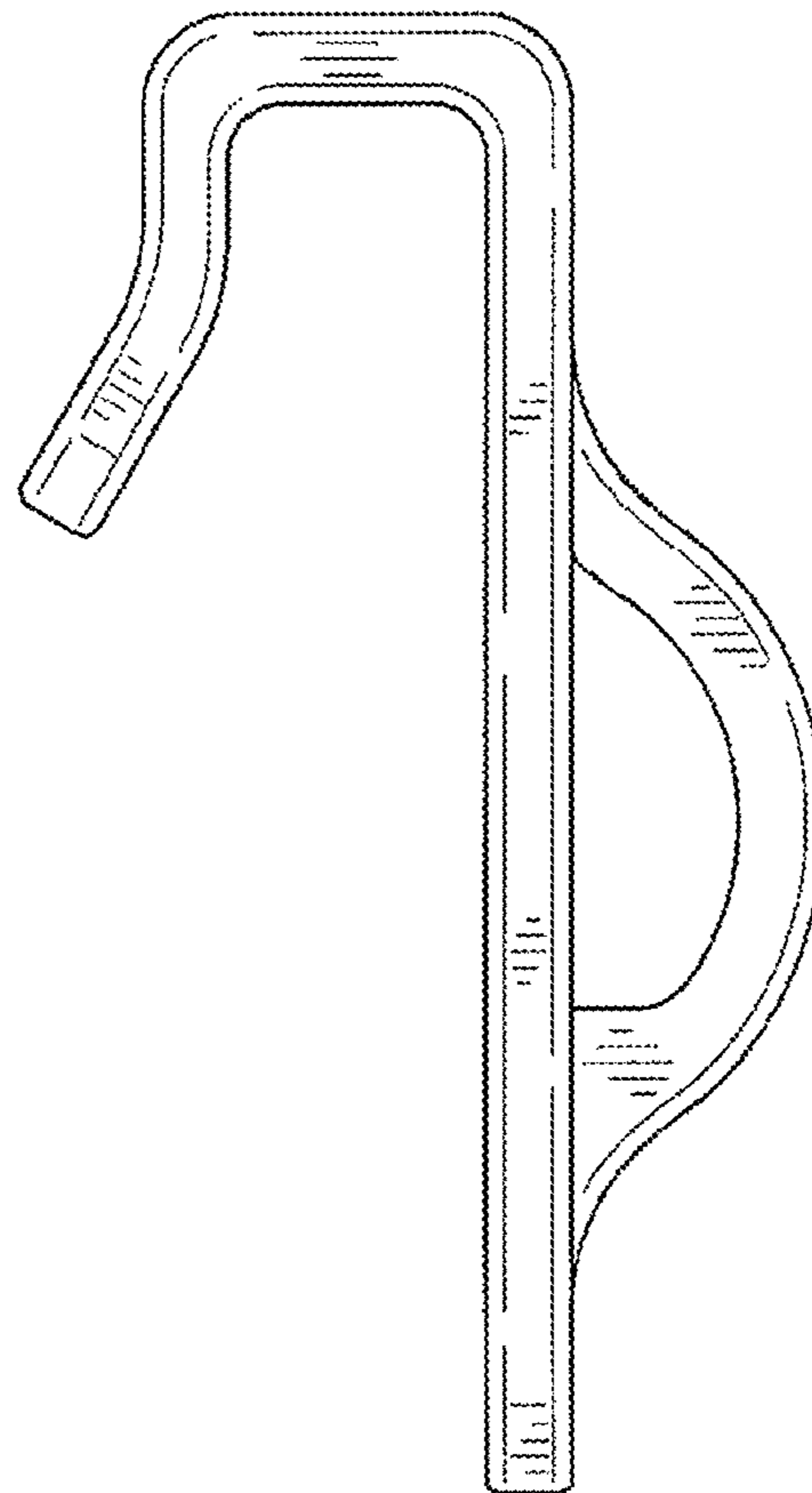


FIG. 5

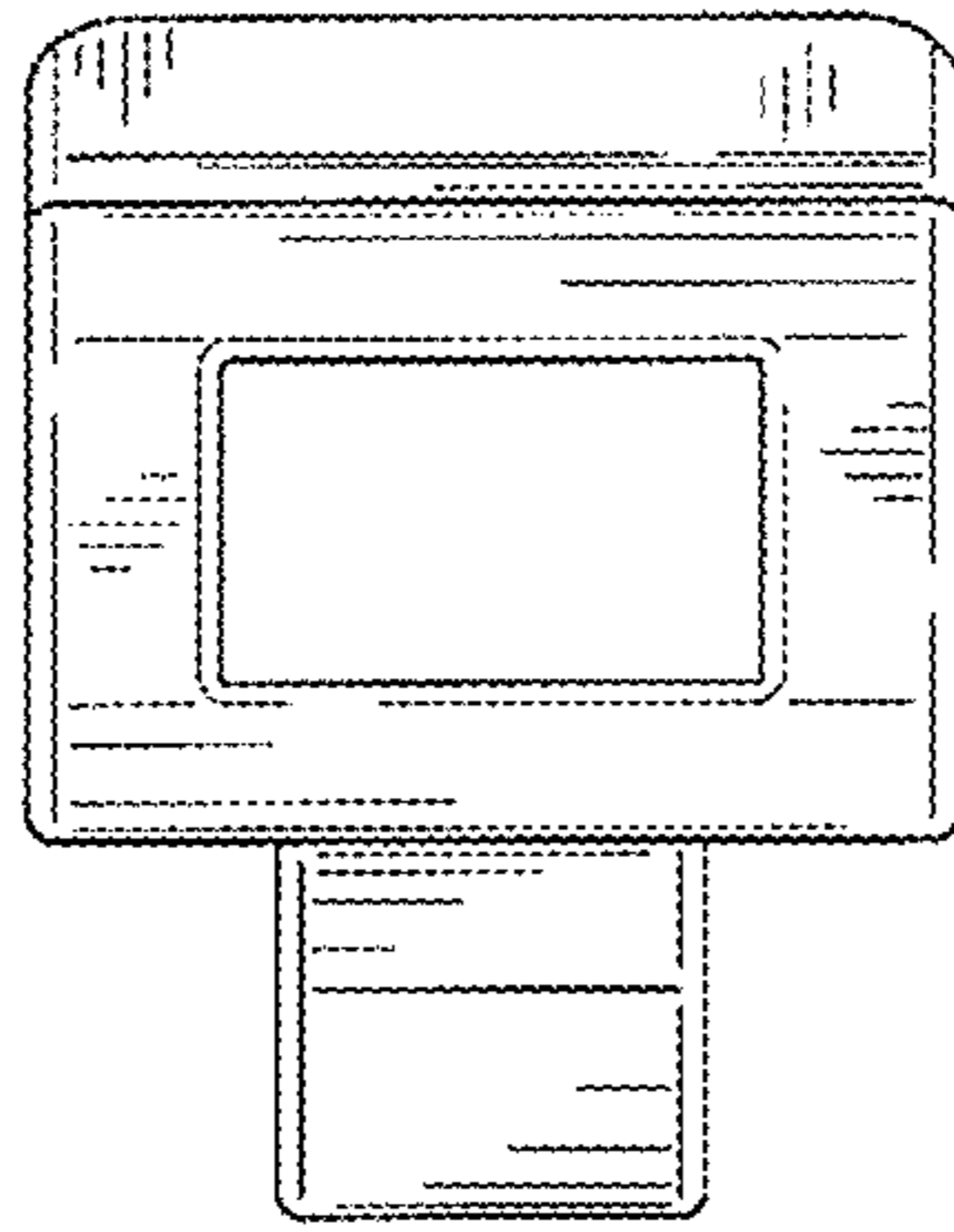


FIG. 6

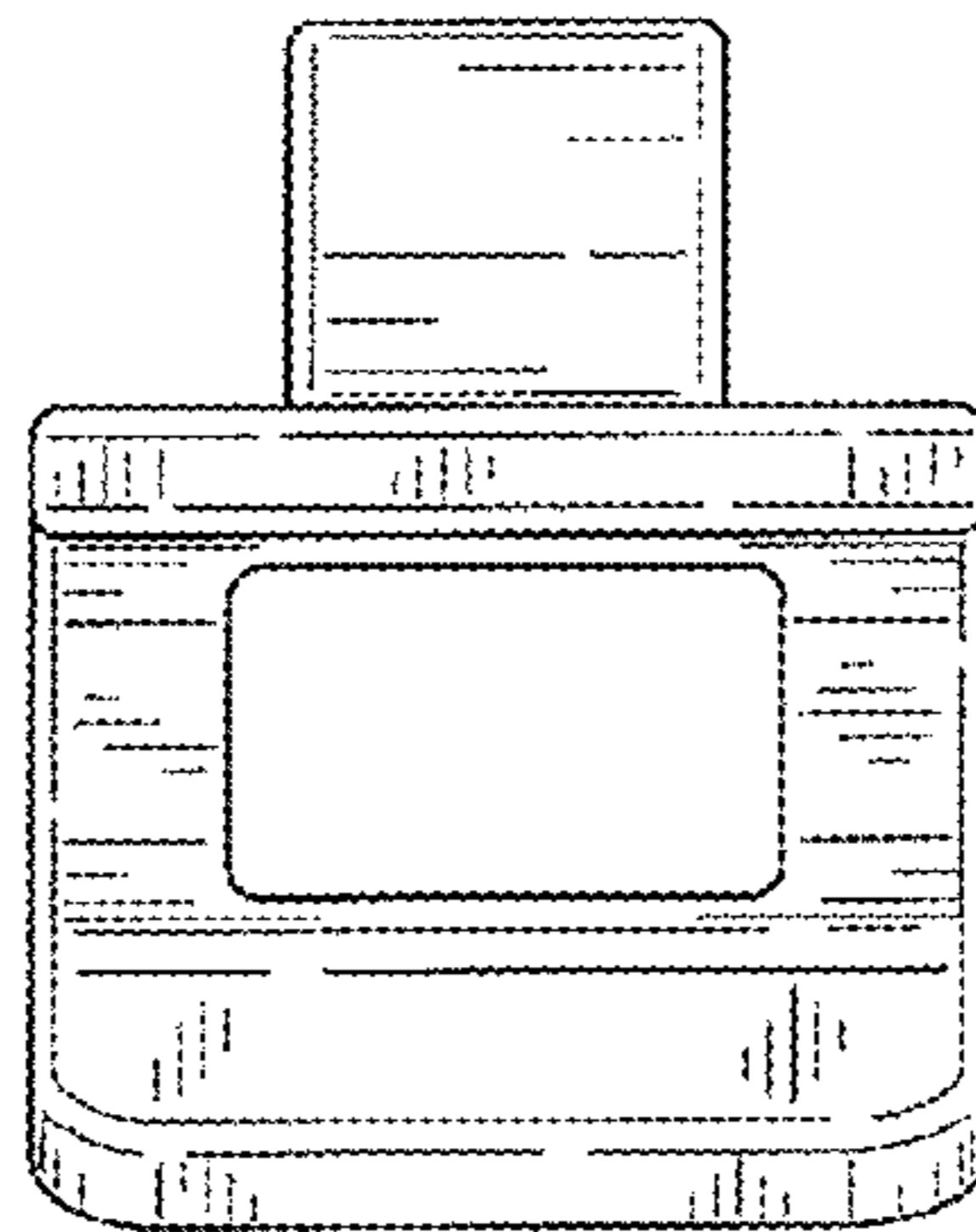


FIG. 7