



US00D801055S

(12) **United States Design Patent**
Kossowsaky

(10) **Patent No.:** **US D801,055 S**
(45) **Date of Patent:** **** Oct. 31, 2017**

- (54) **TOOTHBRUSH**
- (71) Applicant: **Andy Kossowsaky**, Irvington, NY (US)
- (72) Inventor: **Andy Kossowsaky**, Irvington, NY (US)
- (**) Term: **15 Years**
- (21) Appl. No.: **29/574,383**
- (22) Filed: **Aug. 15, 2016**
- (51) **LOC (10) Cl.** **04-02**
- (52) **U.S. Cl.**
USPC **D4/104**
- (58) **Field of Classification Search**
USPC D4/101, 102, 104, 105, 106, 107, 108,
D4/109, 110, 111, 112, 113
CPC A46B 9/04; A46B 9/10
See application file for complete search history.

6,408,477 B1 *	6/2002	Culbreth	A46B 9/04 15/167.1
D489,535 S *	5/2004	Dragan	D24/119
D492,848 S *	7/2004	Takeda	D4/110
D687,228 S *	8/2013	Wong	D4/108
D739,146 S *	9/2015	Kossowsky	D4/110
D775,838 S *	1/2017	Laws	D4/104
D780,460 S *	3/2017	Djemouai	D4/110

FOREIGN PATENT DOCUMENTS

CN	303954598	*	6/2016
KR	300900630.000	*	3/2017

* cited by examiner

Primary Examiner — Karen E Eldridge Powers
(74) *Attorney, Agent, or Firm* — Andrew G. Vicknair

(57) **CLAIM**

The ornamental design for a toothbrush, as shown.

DESCRIPTION

FIG. 1 is a front perspective view of an embodiment of the toothbrush;

FIG. 2 is a rear perspective view thereof, being the view opposite shown in FIG. 1;

FIG. 3 is a top plan view thereof;

FIG. 4 is a bottom plan view thereof;

FIG. 5 is a side elevation view thereof;

FIG. 6 is a front elevation view thereof; and,

FIG. 7 is a rear elevation view thereof.

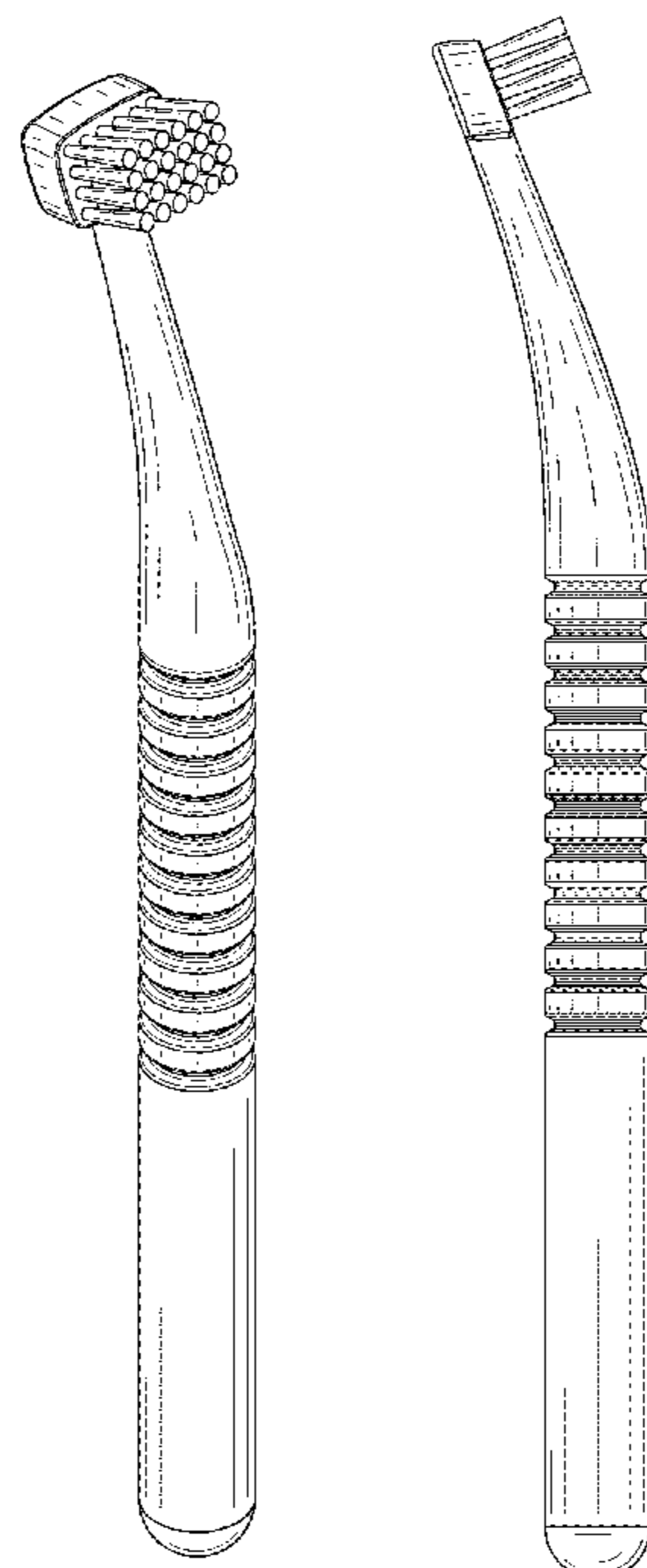
It should be understood that the labels used herein for describing orientation (e.g. front, back, side, top, and bottom) are merely for reference, and the design may be disposed in any manner and still be within the scope of the present invention.

1 Claim, 3 Drawing Sheets

(56) **References Cited**

U.S. PATENT DOCUMENTS

D175,894 S *	10/1955	Krueger	D4/104
D265,527 S *	7/1982	Macaluso	D4/110
D282,603 S *	2/1986	Piero	D4/108
4,679,272 A *	7/1987	Florence	A46B 7/04 15/106
D367,707 S *	3/1996	Baker	D24/146
D369,243 S *	4/1996	Hunt	D4/104
D377,867 S *	2/1997	Berghash	D4/105
D378,235 S *	2/1997	Mark	D24/152
D378,711 S *	4/1997	Occhetti	D4/108
D428,261 S *	7/2000	Lee	D4/110
6,094,768 A *	8/2000	Hugon	A46B 5/00 15/143.1
D454,696 S *	3/2002	Simionato	D4/104
6,401,291 B1 *	6/2002	Lee	A46B 5/02 15/167.1



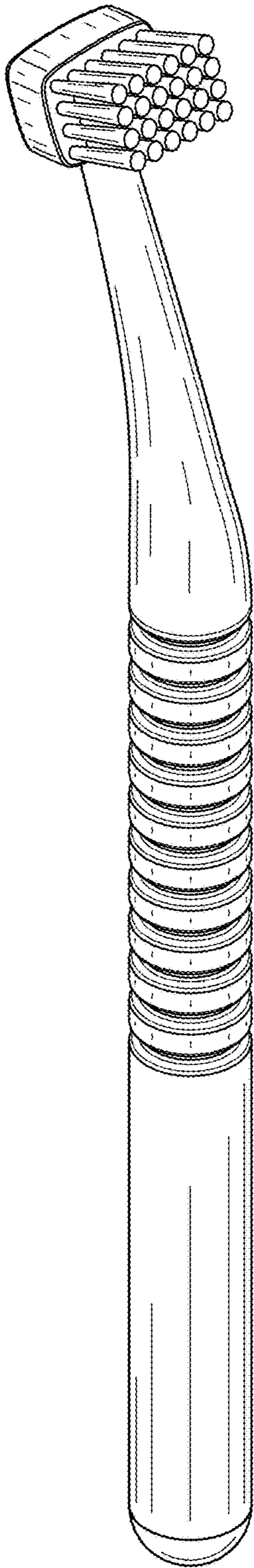


FIG. 1

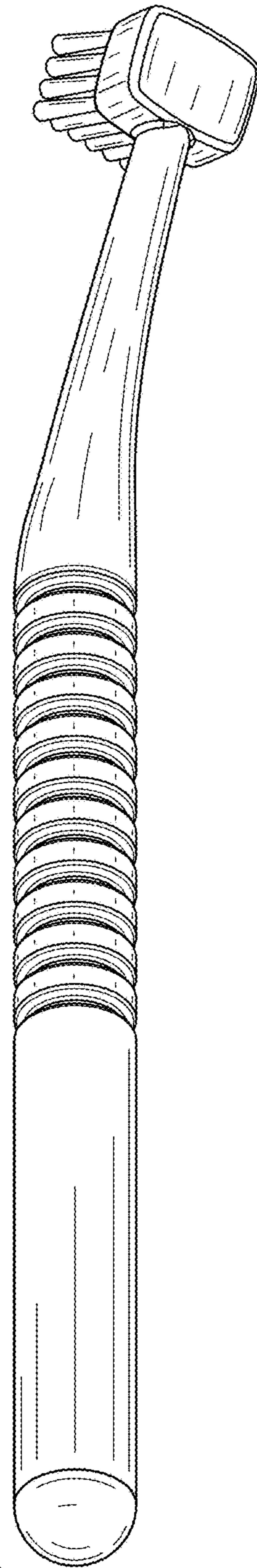


FIG. 2

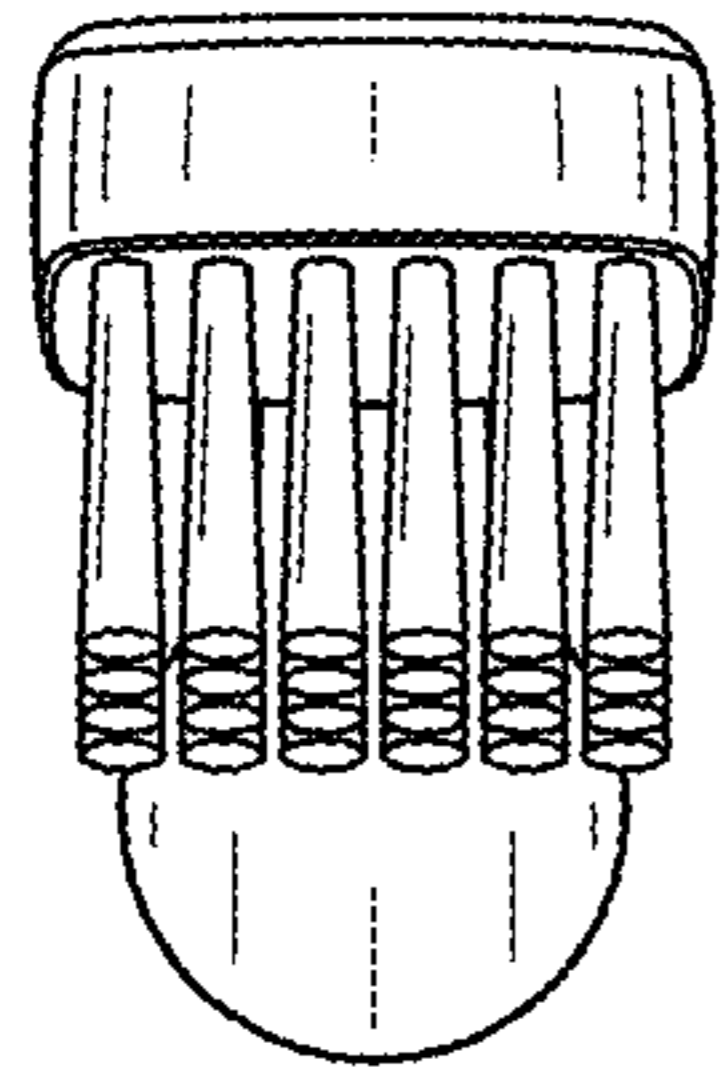


FIG. 3

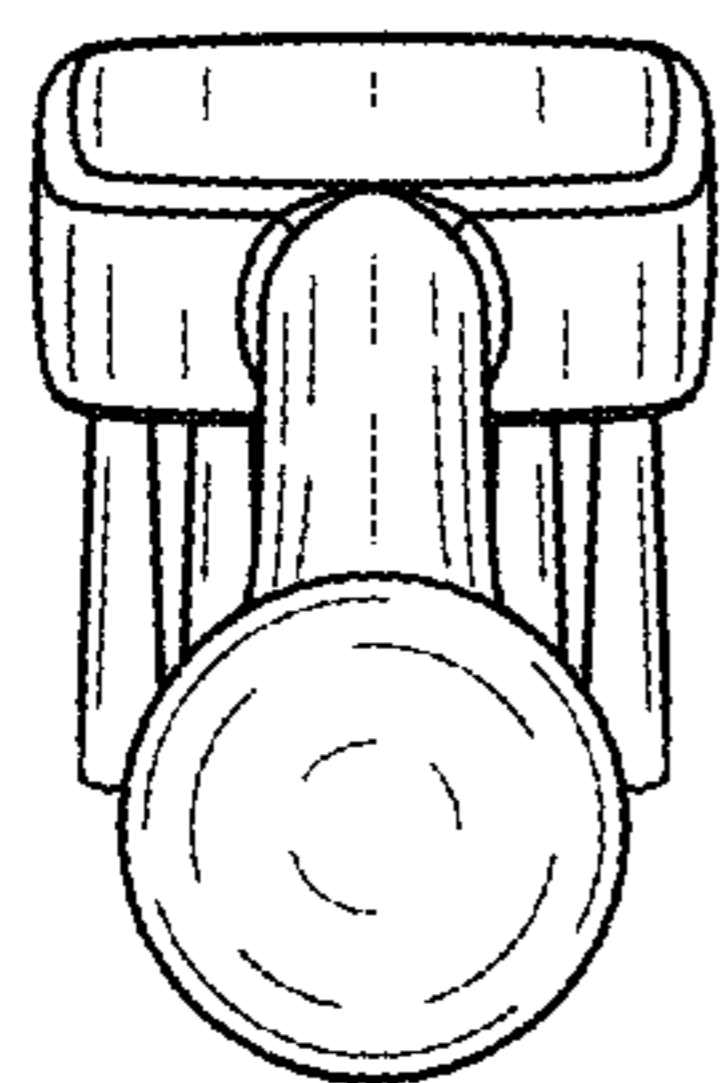


FIG. 4

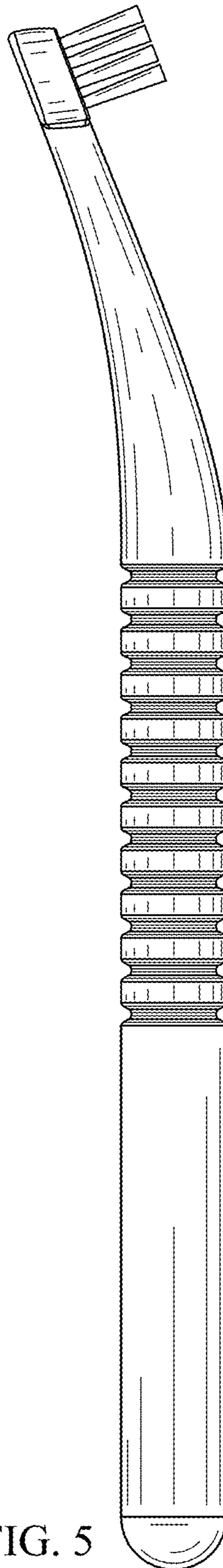


FIG. 5

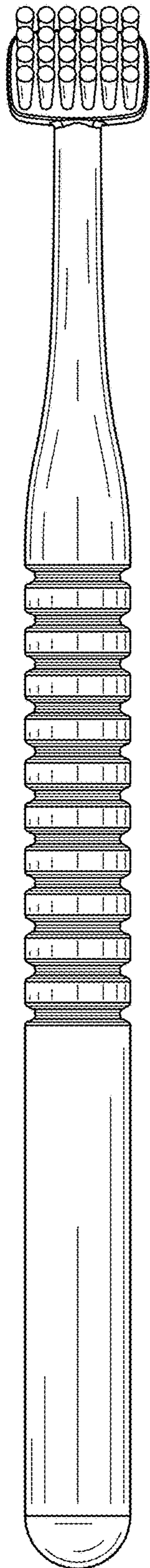


FIG. 6

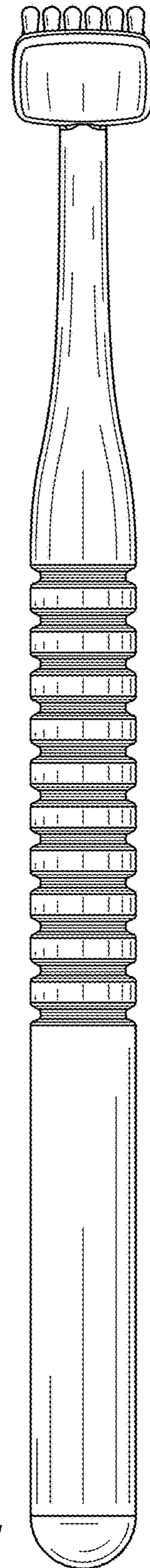


FIG. 7