



US00D801053S

(12) **United States Design Patent** (10) **Patent No.:** **US D801,053 S**  
**Jose** (45) **Date of Patent:** **\*\* Oct. 31, 2017**

(54) **SUITCASE LID**  
(71) Applicant: **Boban Jose**, San Ramon, CA (US)  
(72) Inventor: **Boban Jose**, San Ramon, CA (US)  
(\*\*) Term: **15 Years**  
(21) Appl. No.: **29/553,772**  
(22) Filed: **Feb. 4, 2016**  
(51) **LOC (10) Cl.** ..... **03-01**  
(52) **U.S. Cl.**  
USPC ..... **D3/321**; D3/273  
(58) **Field of Classification Search**  
USPC ..... D3/201, 204, 216, 272-275, 279, 280,  
D3/282, 283, 284, 288, 289, 294, 309,  
D3/315, 318, 321, 322, 323, 902; D5/1,  
D5/2, 4, 47, 54, 58, 59, 62; D9/430-433;  
D10/49, 50, 60, 103, 125, 132; D12/406,  
D12/409, 410, 412, 413; D14/341, 443,  
D14/448, 451; D24/185; D25/48.8, 141,  
D25/152, 153; D34/25  
CPC ..... A45C 5/00; A45C 5/03; A45C 2005/032;  
A45C 2005/035; A45C 2005/037  
See application file for complete search history.

D630,426 S \* 1/2011 Wilfer ..... D3/204  
D637,138 S \* 5/2011 Ehrat ..... D12/413  
D645,341 S \* 9/2011 Bhattacharya ..... D9/430  
D660,584 S \* 5/2012 Cross ..... D3/216  
D669,018 S \* 10/2012 Ehrat ..... D12/413  
D672,955 S \* 12/2012 Benshetrit ..... D3/279  
D705,813 S \* 5/2014 Deguchi ..... D14/498  
D710,608 S \* 8/2014 Yoneno ..... D3/279  
D719,736 S \* 12/2014 Blount ..... D3/318  
D726,405 S \* 4/2015 Nassanian ..... D3/216  
D743,168 S \* 11/2015 Niu ..... D3/279  
D743,698 S \* 11/2015 Della Vecchia ..... D3/273  
D753,537 S \* 4/2016 Modi ..... D11/90

\* cited by examiner

*Primary Examiner* — Susan E Krakower  
*Assistant Examiner* — L. A. Grabenstetter  
(74) *Attorney, Agent, or Firm* — Law Office of Ilya Libenzon

(57) **CLAIM**

What is claimed is the ornamental design for a suitcase lid, as shown and described.

**DESCRIPTION**

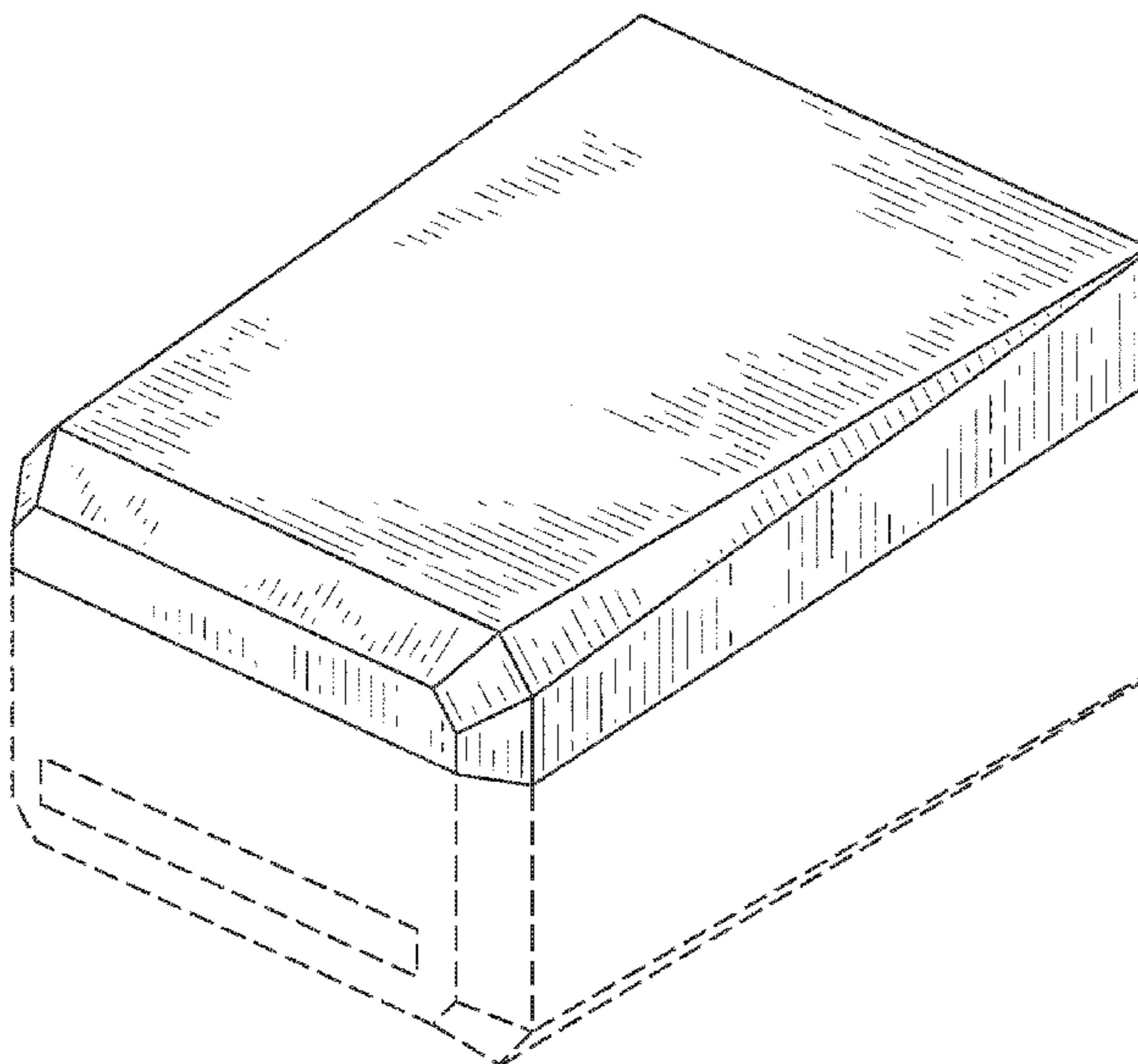
FIG. 1 is a perspective view of a suitcase lid according to the present invention;  
FIG. 2 is a front view of the suitcase lid according to the present invention;  
FIG. 3 is a side view of the suitcase lid according to the present invention;  
FIG. 4 is an opposite side view of the suitcase lid according to the present invention; and,  
FIG. 5 is a top view of the suitcase lid according to the present invention.  
The broken lines depict unclaimed portions of the suitcase lid, which form no part of the claimed design.

**1 Claim, 5 Drawing Sheets**

(56) **References Cited**

U.S. PATENT DOCUMENTS

D79,531 S \* 10/1929 Schleicher ..... 229/163  
D336,875 S \* 6/1993 Cox ..... D12/413  
D342,193 S \* 12/1993 Smith ..... D7/629  
D344,832 S \* 3/1994 Cyphers ..... D34/24  
D392,563 S \* 3/1998 Iwanaga ..... D9/422  
D437,110 S \* 2/2001 Ivarson ..... D3/216  
D507,176 S \* 7/2005 Abgarian ..... D9/416  
D525,031 S \* 7/2006 Miles ..... D3/279  
D550,964 S \* 9/2007 Bettua ..... D3/321  
D592,050 S \* 5/2009 Casebasse ..... D9/431



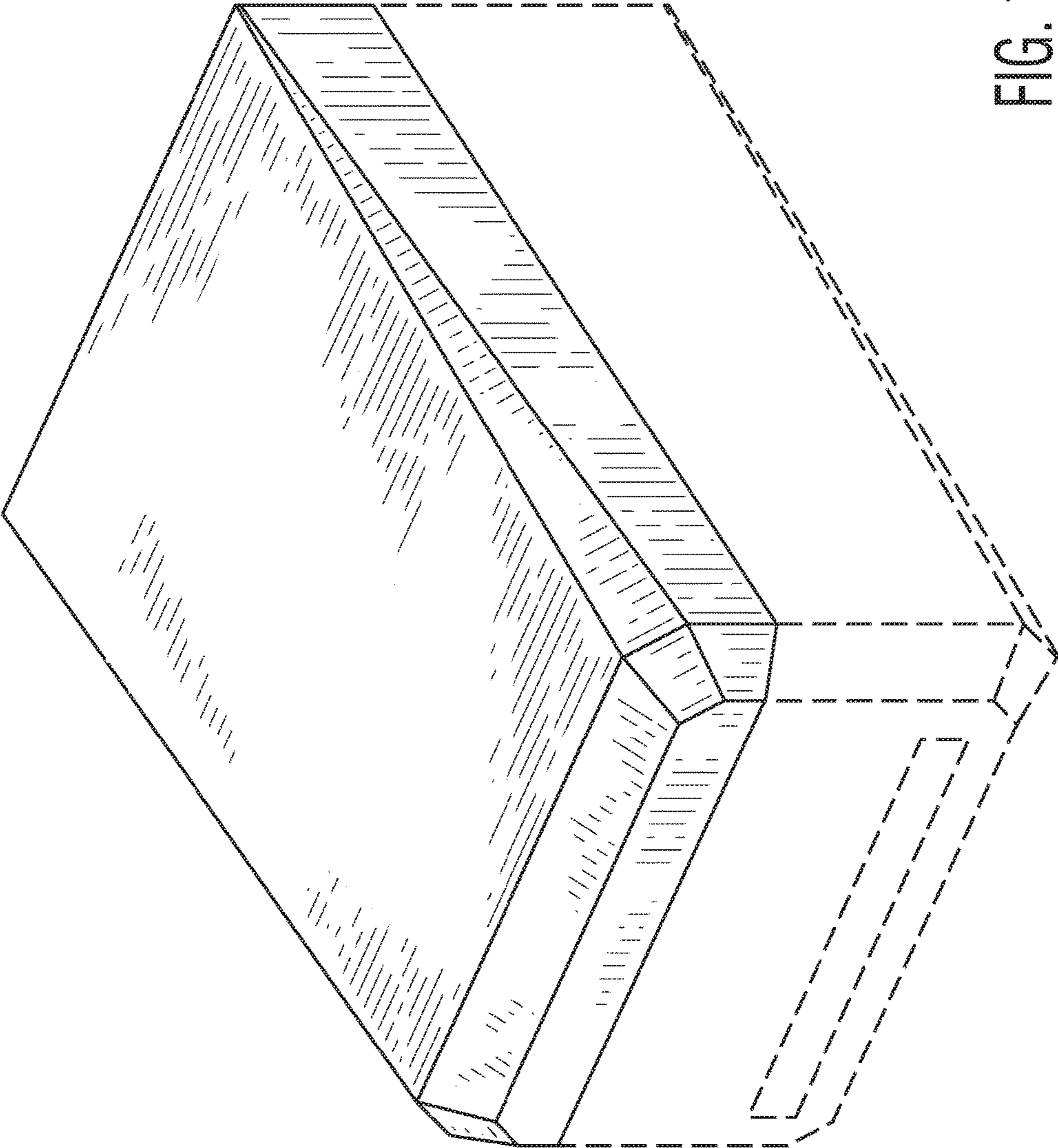


FIG. 1

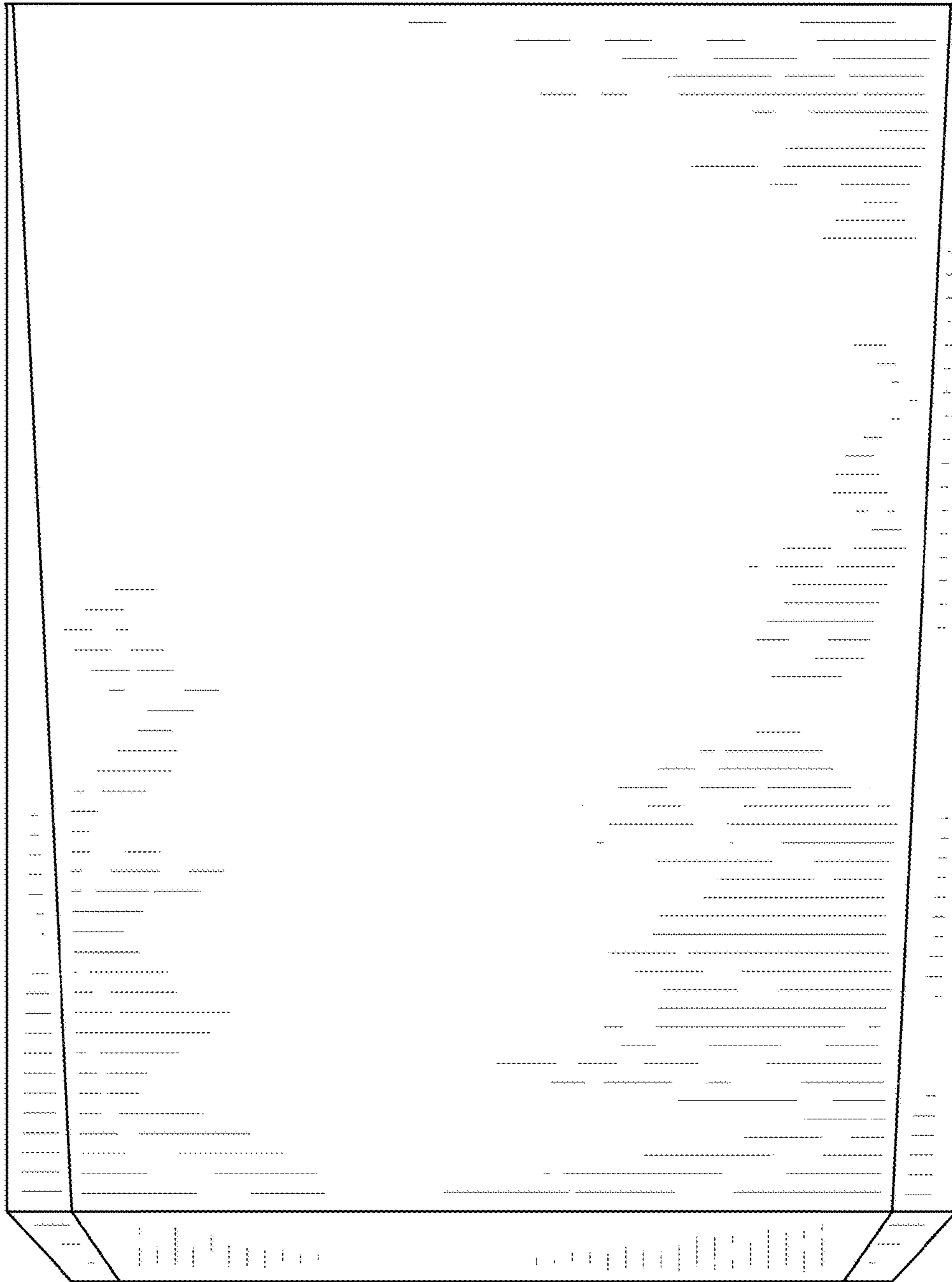


FIG. 2

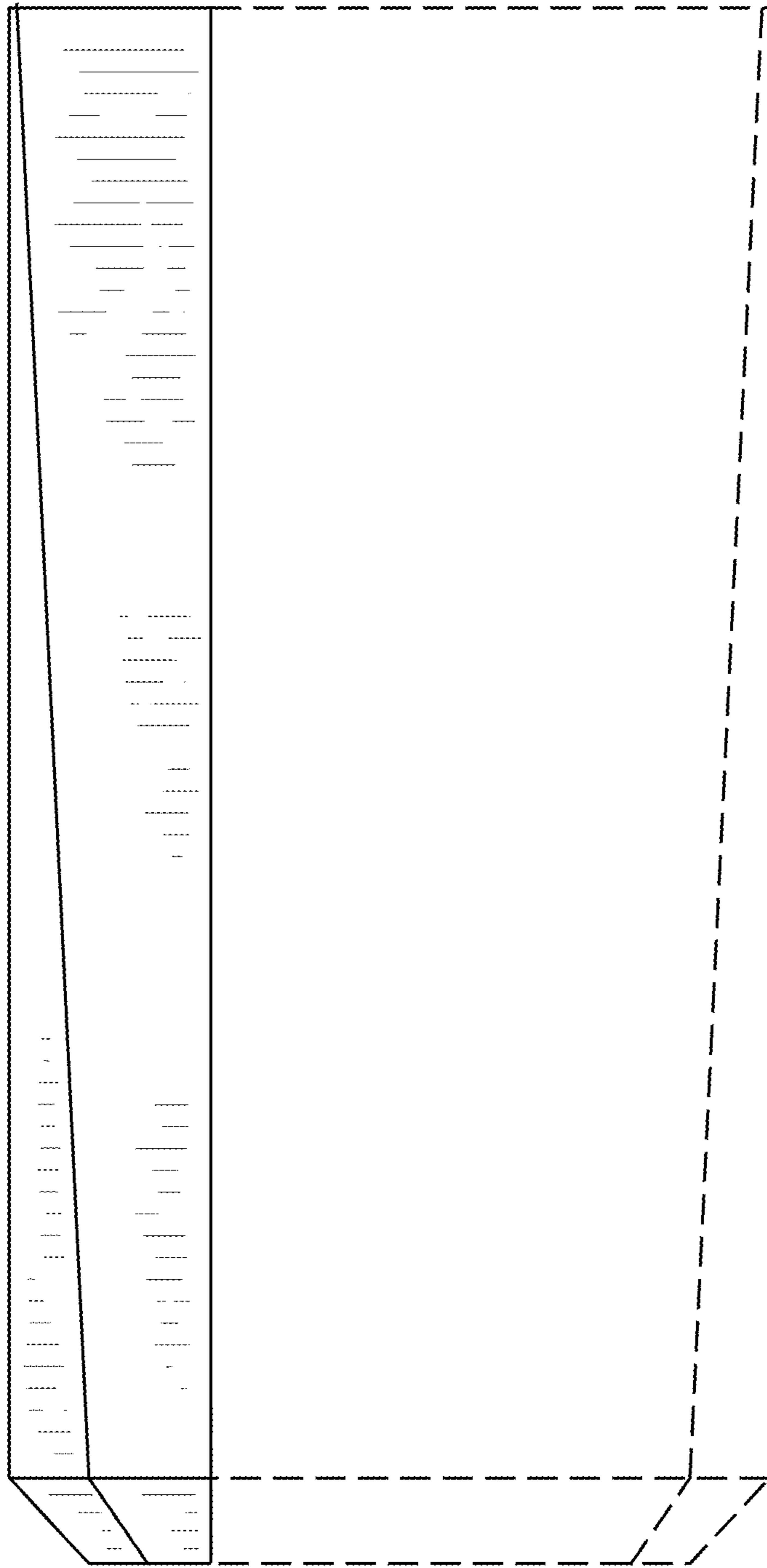


FIG. 3

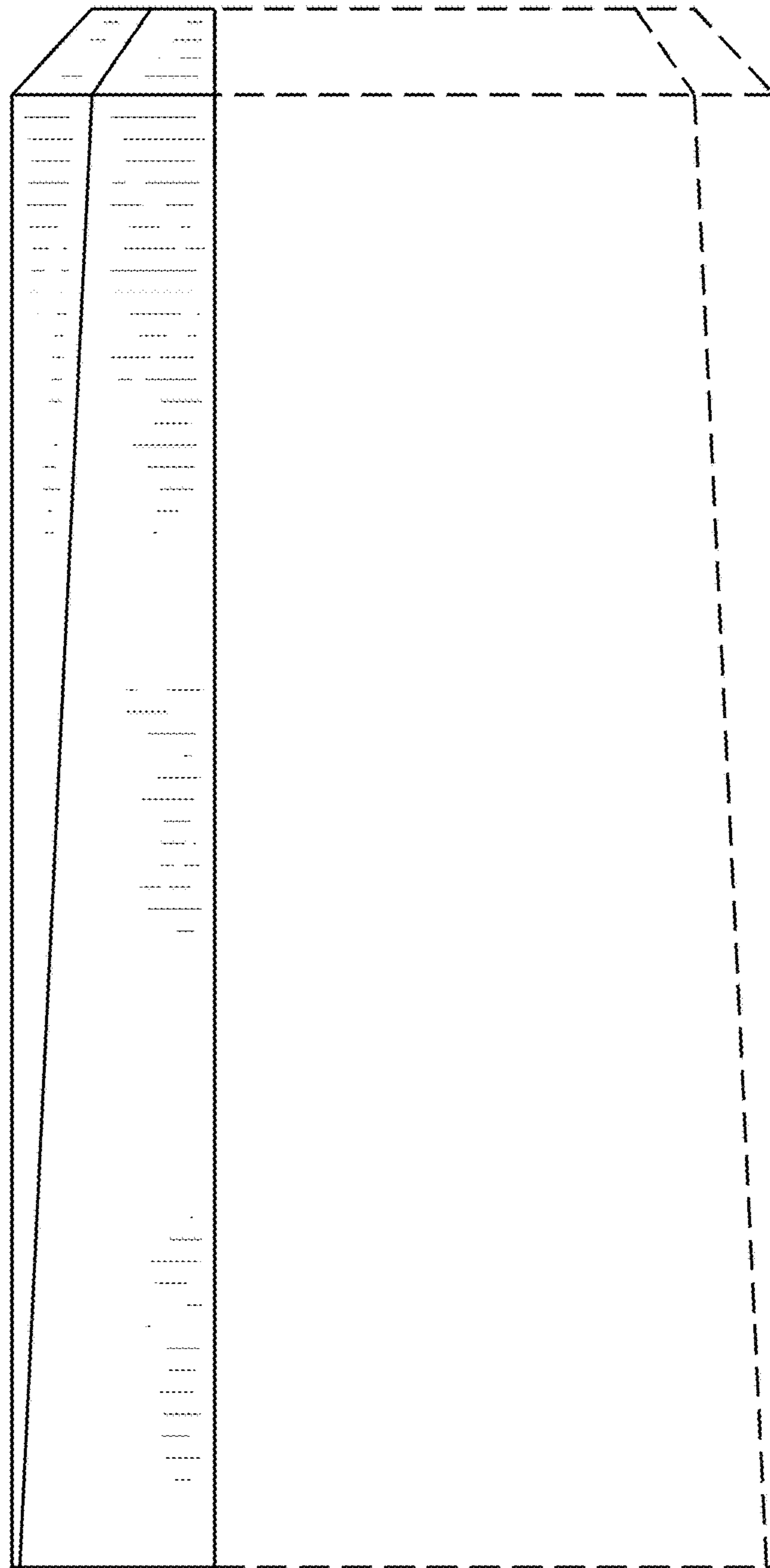


FIG. 4

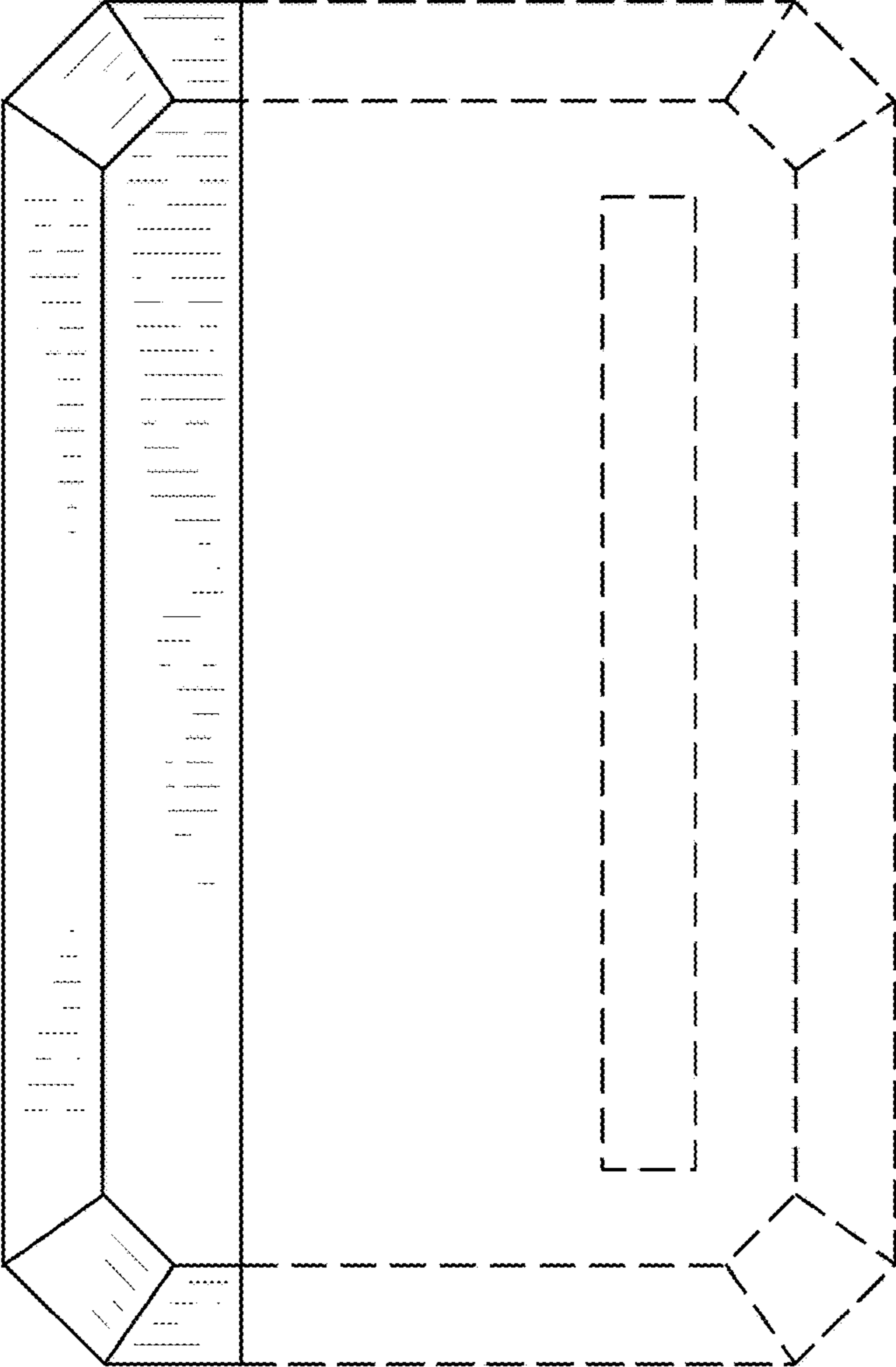


FIG. 5