



US00D801050S

(12) **United States Design Patent** (10) **Patent No.:** **US D801,050 S**  
**Foley et al.** (45) **Date of Patent:** **\*\* Oct. 31, 2017**

- (54) **STORAGE CONTAINER**
- (71) Applicant: **DEFLECTO, LLC**, Indianapolis, IN (US)
- (72) Inventors: **Patrick Foley**, Fishers, IN (US); **Danielle N. Rodgers**, Indianapolis, IN (US); **Christopher Stuart**, Noblesville, IN (US); **James DeChant**, Carmel, IN (US)
- (73) Assignee: **Deflecto, LLC**, Indianapolis, IN (US)
- (\*\*) Term: **15 Years**
- (21) Appl. No.: **29/550,460**
- (22) Filed: **Jan. 4, 2016**
- (51) **LOC (10) Cl.** ..... **03-01**
- (52) **U.S. Cl.**  
USPC ..... **D3/310**
- (58) **Field of Classification Search**  
USPC ..... D3/303–315, 318–319, 328; D19/65, 75, D19/78  
CPC ... B65D 1/00; B65D 1/34; B65D 1/36; B65D 1/22; B65D 11/20; B65D 21/00  
See application file for complete search history.

(56) **References Cited**

U.S. PATENT DOCUMENTS

4,895,267	A *	1/1990	Karlsson	.....	B42F 17/02 220/4.28
D446,378	S *	8/2001	Fischer	.....	D99/29
D502,966	S *	3/2005	çakir	.....	D19/90
D555,736	S *	11/2007	Decarlo	.....	D19/90
D655,016	S *	2/2012	Laudo	.....	D24/224
D680,171	S *	4/2013	Stravitz	.....	D19/90
D687,893	S *	8/2013	Chuang	.....	D19/90
D708,258	S *	7/2014	Lee	.....	D19/90
D730,078	S *	5/2015	Kolano	.....	D6/553

D743,920 S \* 11/2015 Tatem ..... D14/125  
D757,469 S \* 5/2016 Jensen ..... D6/683.1  
D758,181 S \* 6/2016 Lutz ..... D9/416

(Continued)

*Primary Examiner* — Kelley Donnelly

(74) *Attorney, Agent, or Firm* — Dentons US LLP; Brian R. McGinley

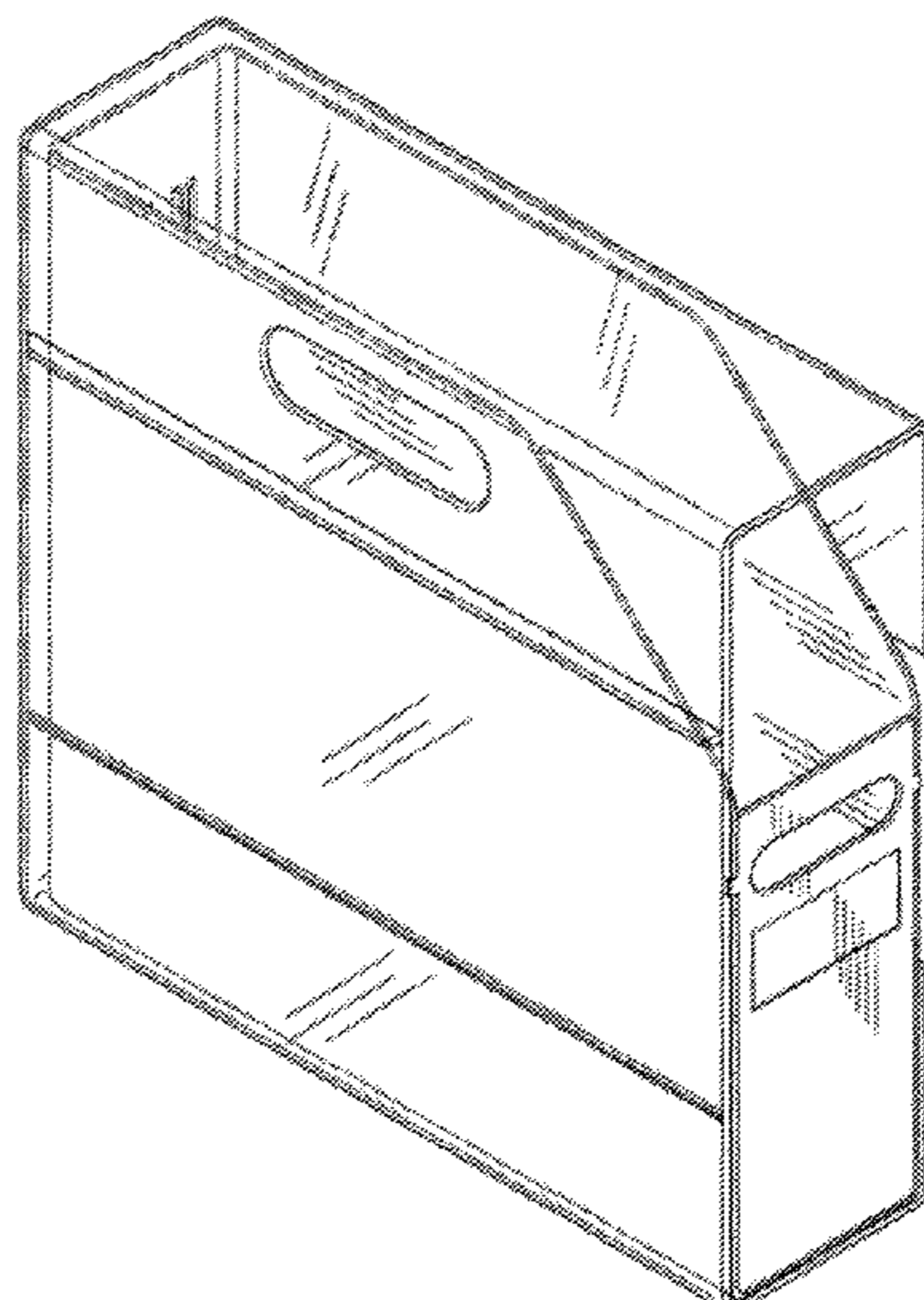
(57) **CLAIM**

The ornamental design for a storage container, as shown and described.

**DESCRIPTION**

FIG. 1 is a front perspective view of a storage container illustrating an embodiment of a new design in an assembled configuration;  
FIG. 2 is another front perspective of the storage container of FIG. 1 illustrating the new design in an exploded view;  
FIG. 3 is another front perspective view of the storage container of FIG. 1 illustrating the new design in another exploded view, where the front flap of the storage container of FIG. 1 is open;  
FIG. 4 is a front view of the storage container of FIG. 1 illustrating the new design;  
FIG. 5 is a rear view of the storage container of FIG. 1 illustrating the new design;  
FIG. 6 is a left-side view of the storage container of FIG. 1 illustrating the new design;  
FIG. 7 is a right-side view of the storage container of FIG. 1 illustrating the new design;  
FIG. 8 is a top view of the storage container of FIG. 1 illustrating the new design;  
FIG. 9 is a bottom view of the storage container of FIG. 1 illustrating the new design;  
FIG. 10 is a front view of the storage container of FIG. 1 illustrating the new design with two units interlocked;  
FIG. 11 is a section view of the storage container of FIG. 1 illustrating the new design; and,  
FIG. 12 is a rear view of the storage container of FIG. 1 illustrating the new design.

**1 Claim, 9 Drawing Sheets**



(56)

**References Cited**

U.S. PATENT DOCUMENTS

D771,383 S \* 11/2016 Vincent ..... D3/310  
D774,905 S \* 12/2016 Smith ..... D6/515

\* cited by examiner

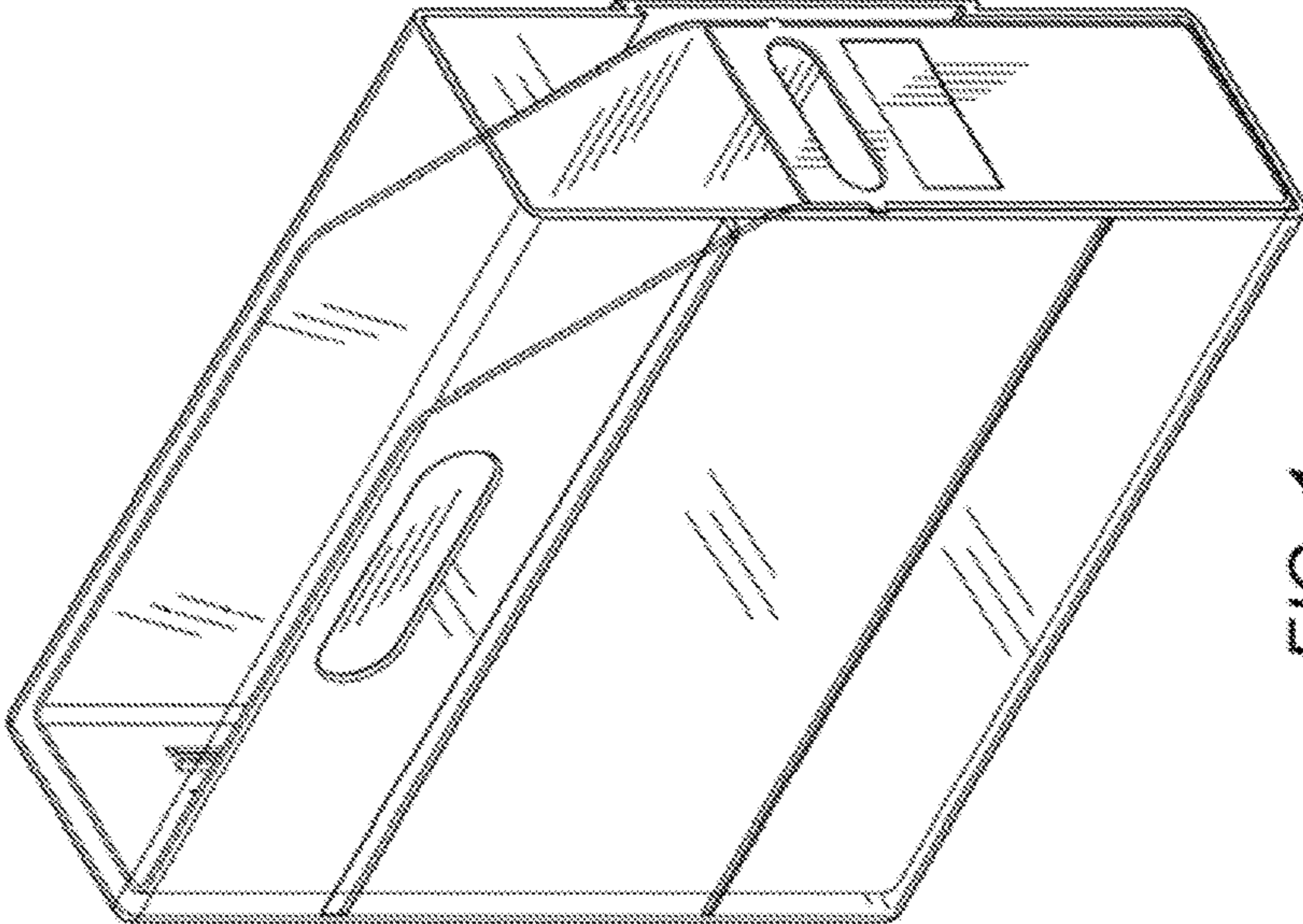


FIG. 1

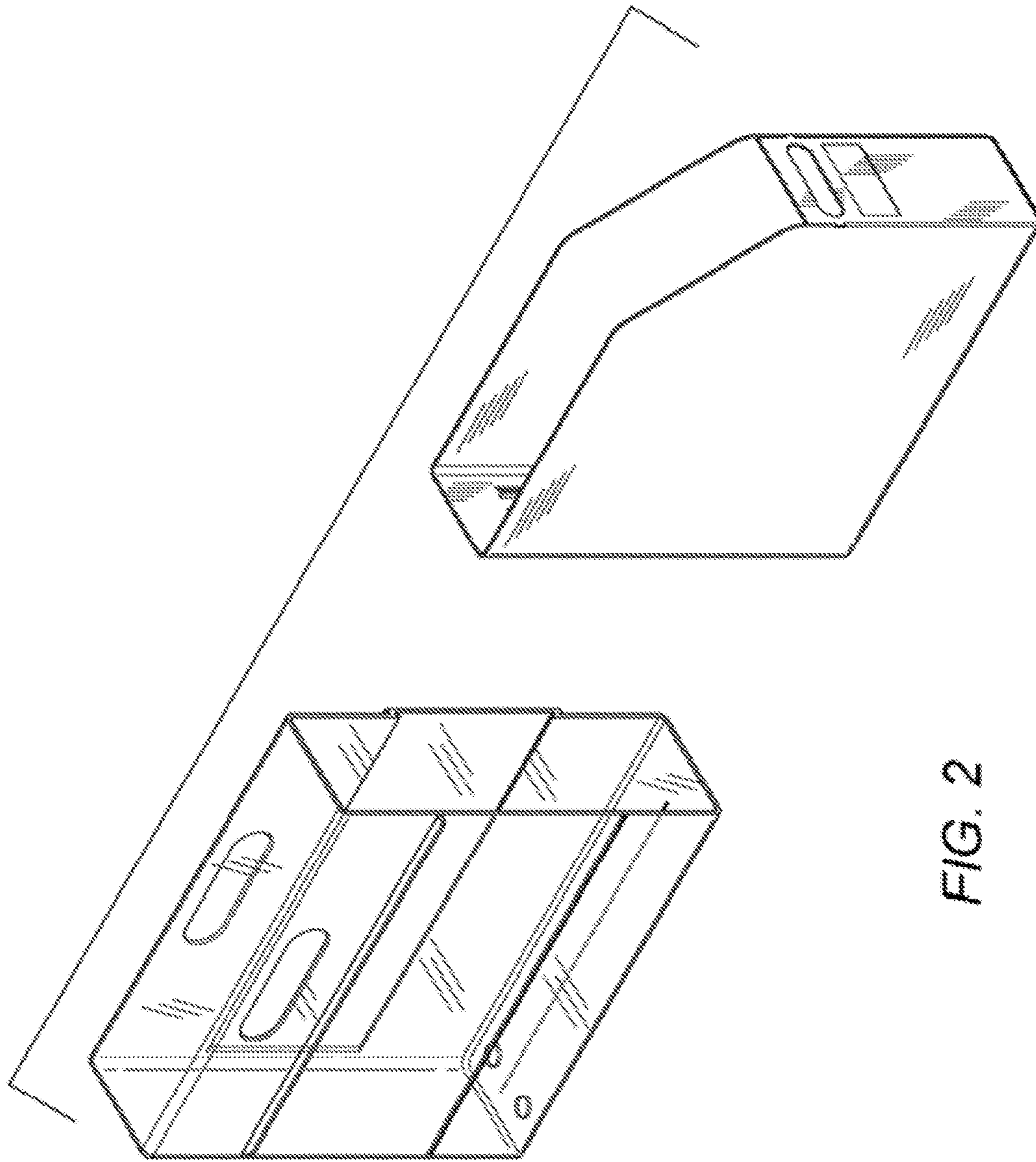


FIG. 2

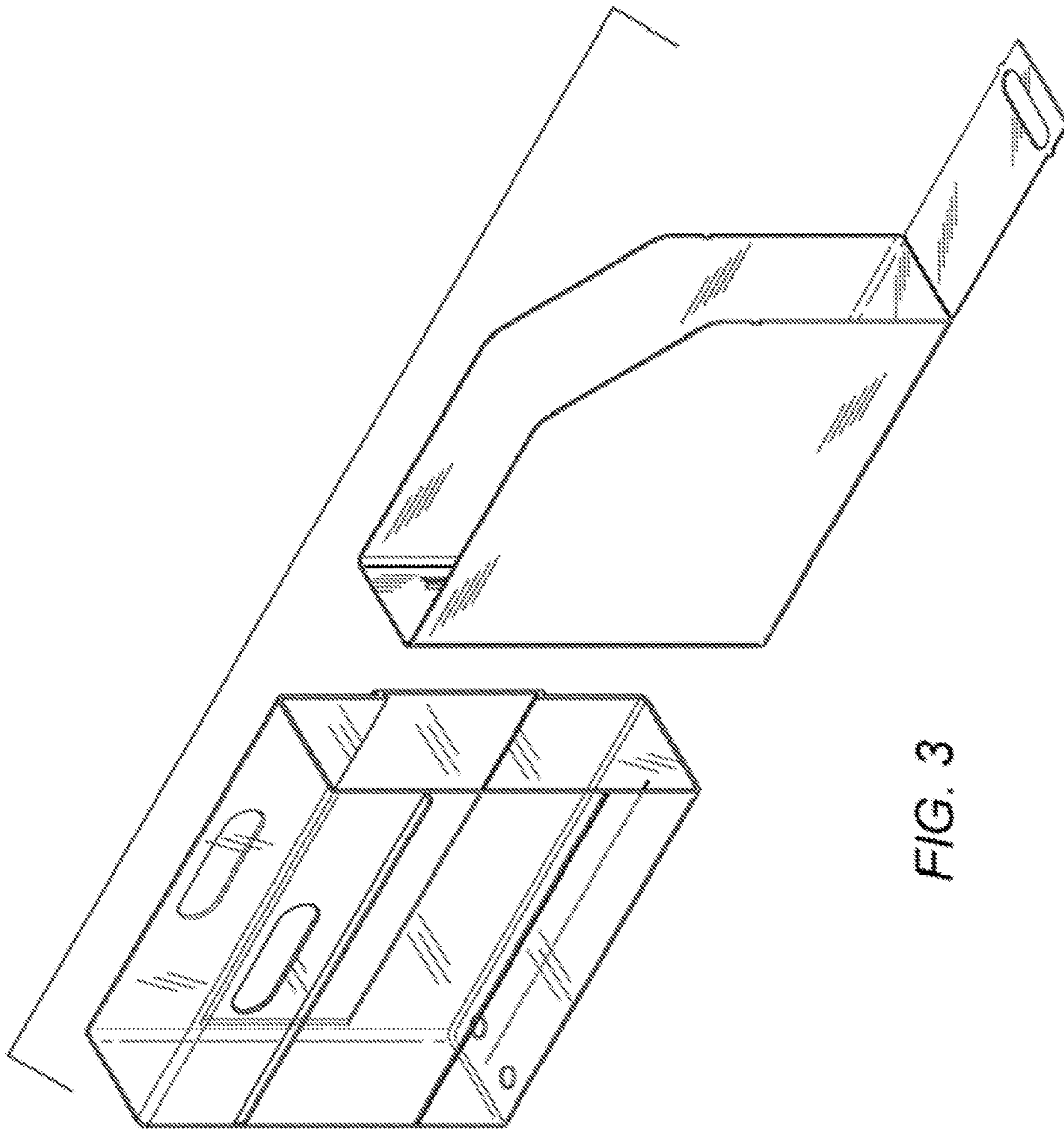


FIG. 3

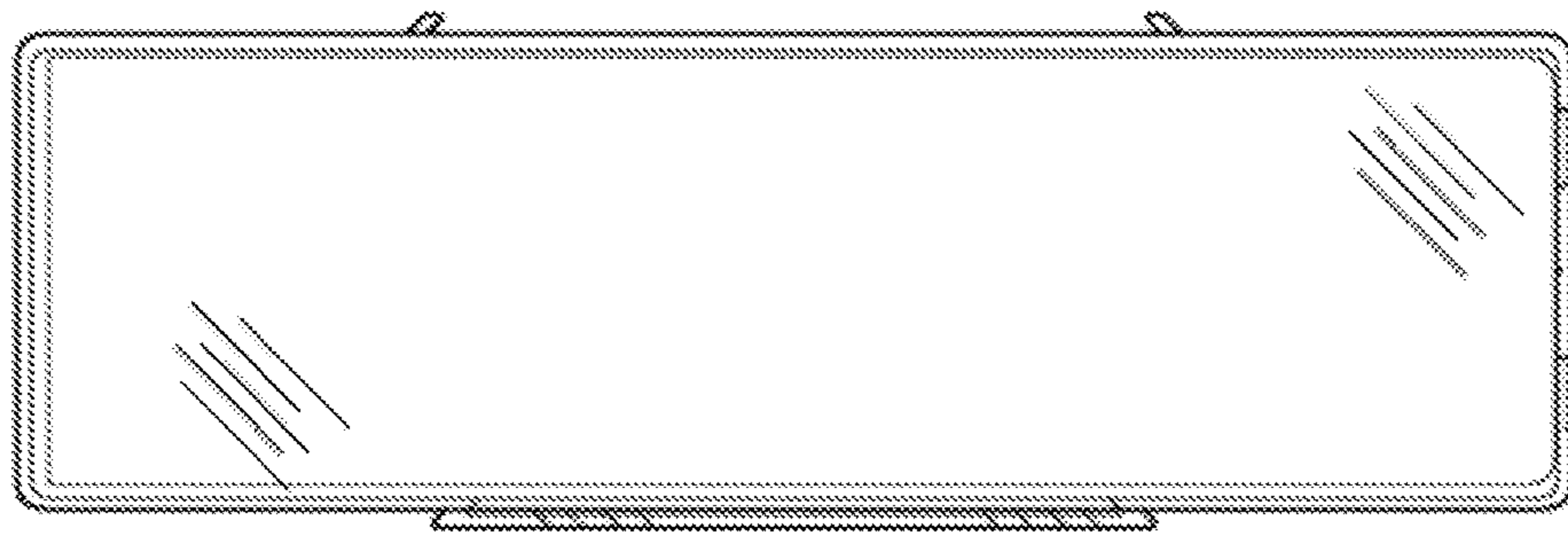


FIG. 5

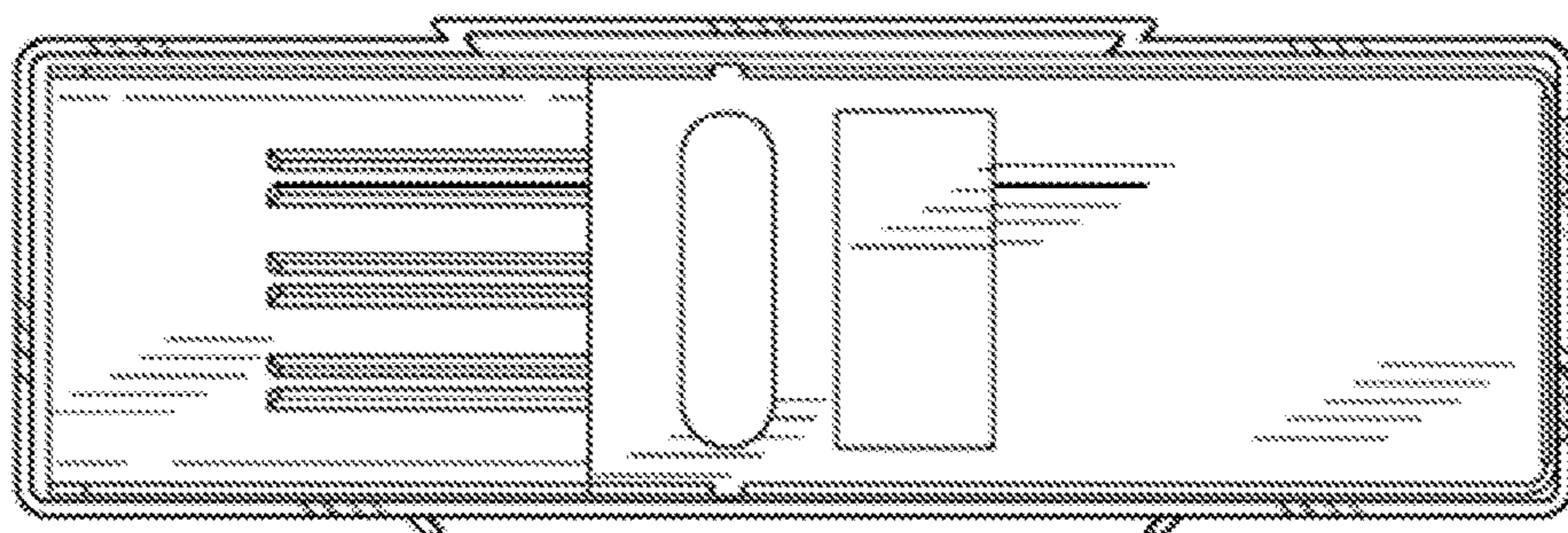


FIG. 4

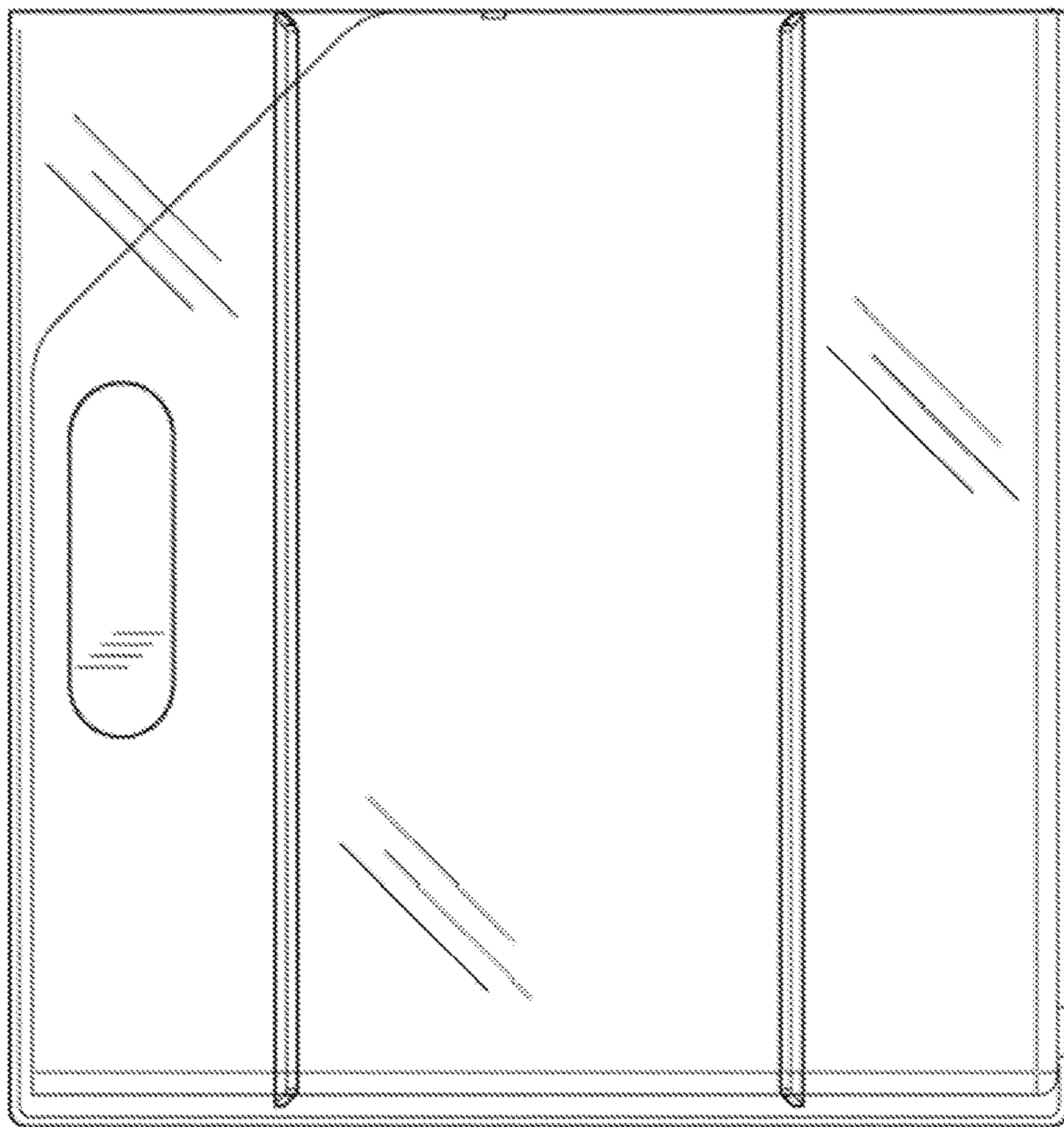


FIG. 6

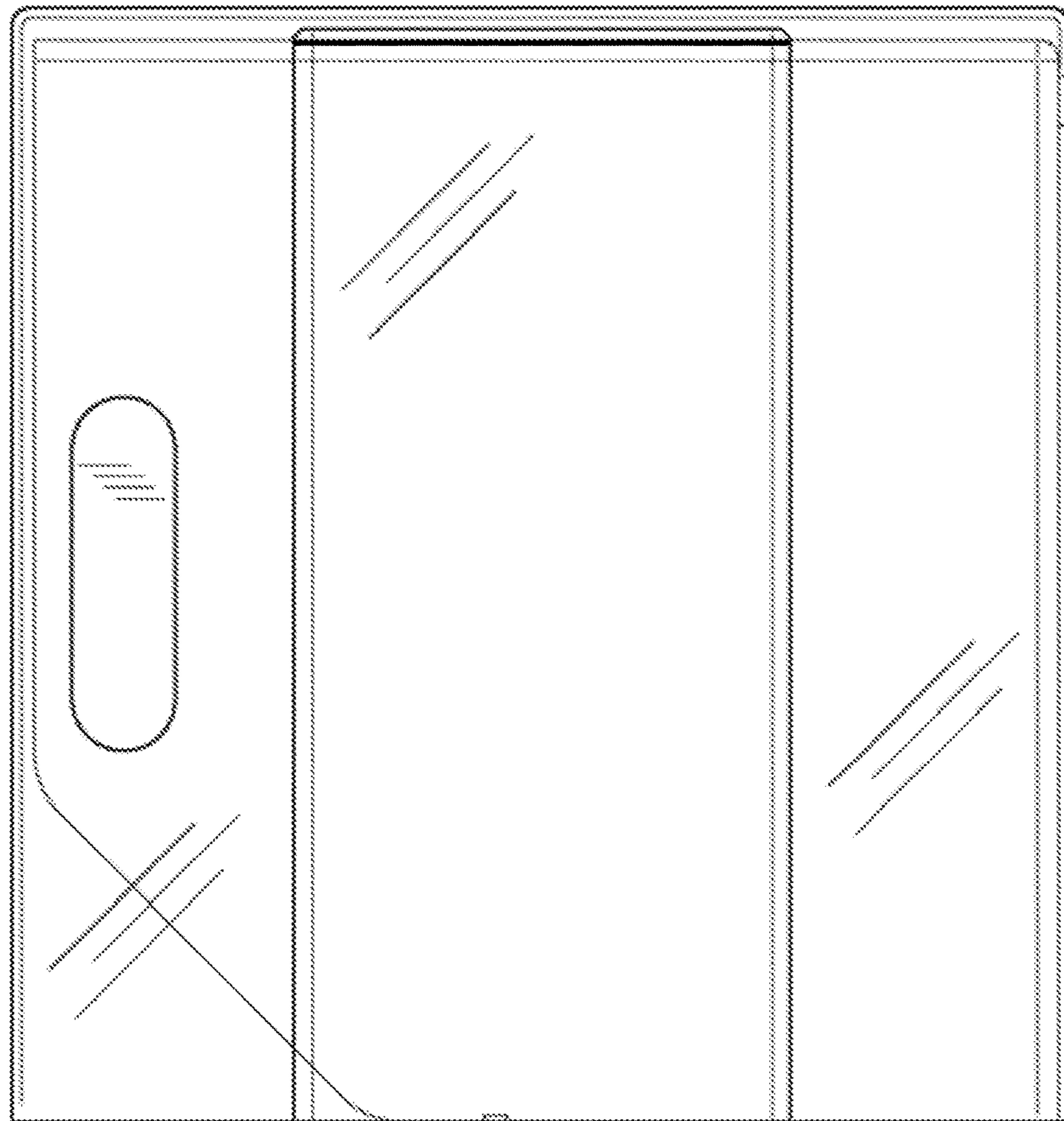


FIG. 7





FIG. 9

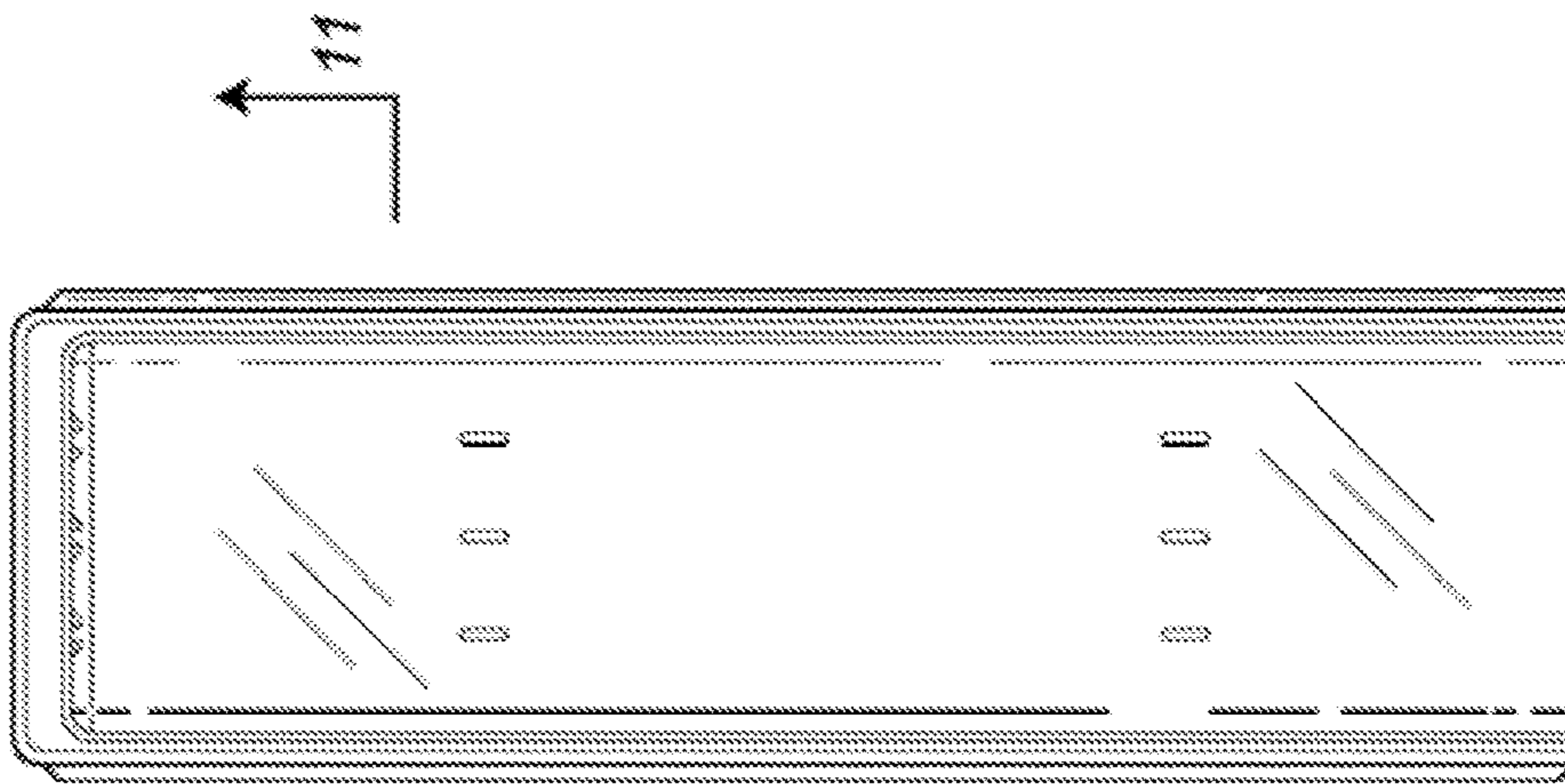


FIG. 8

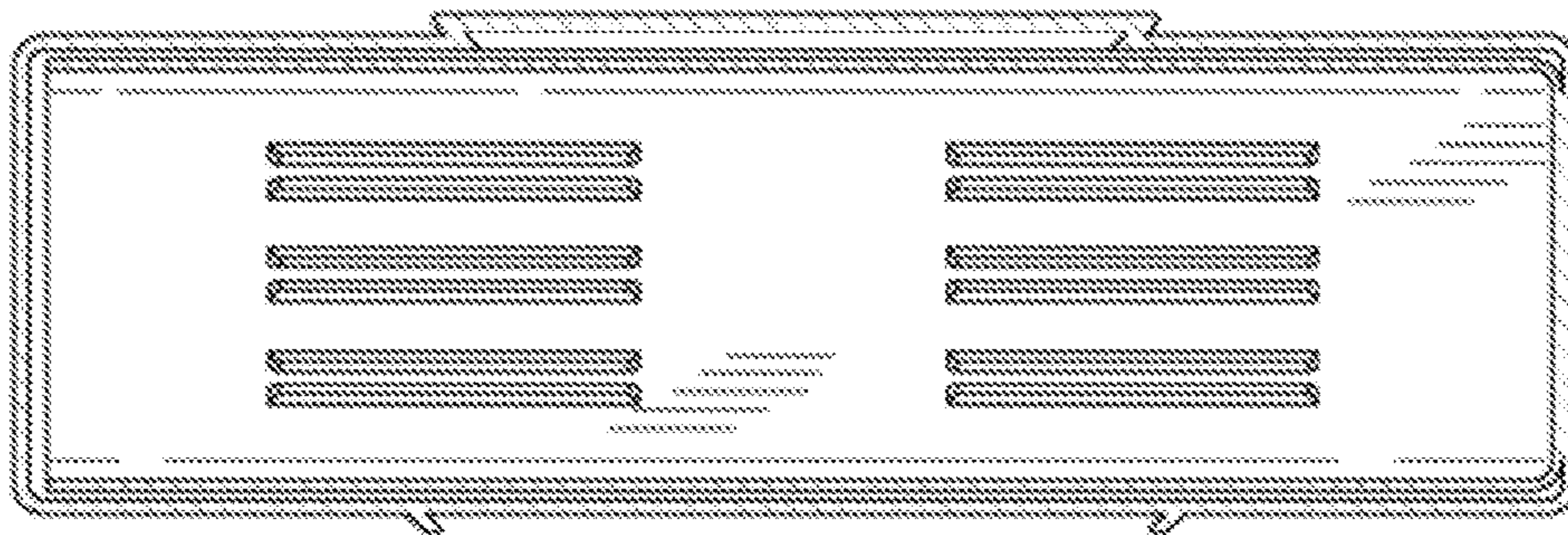


FIG. 11

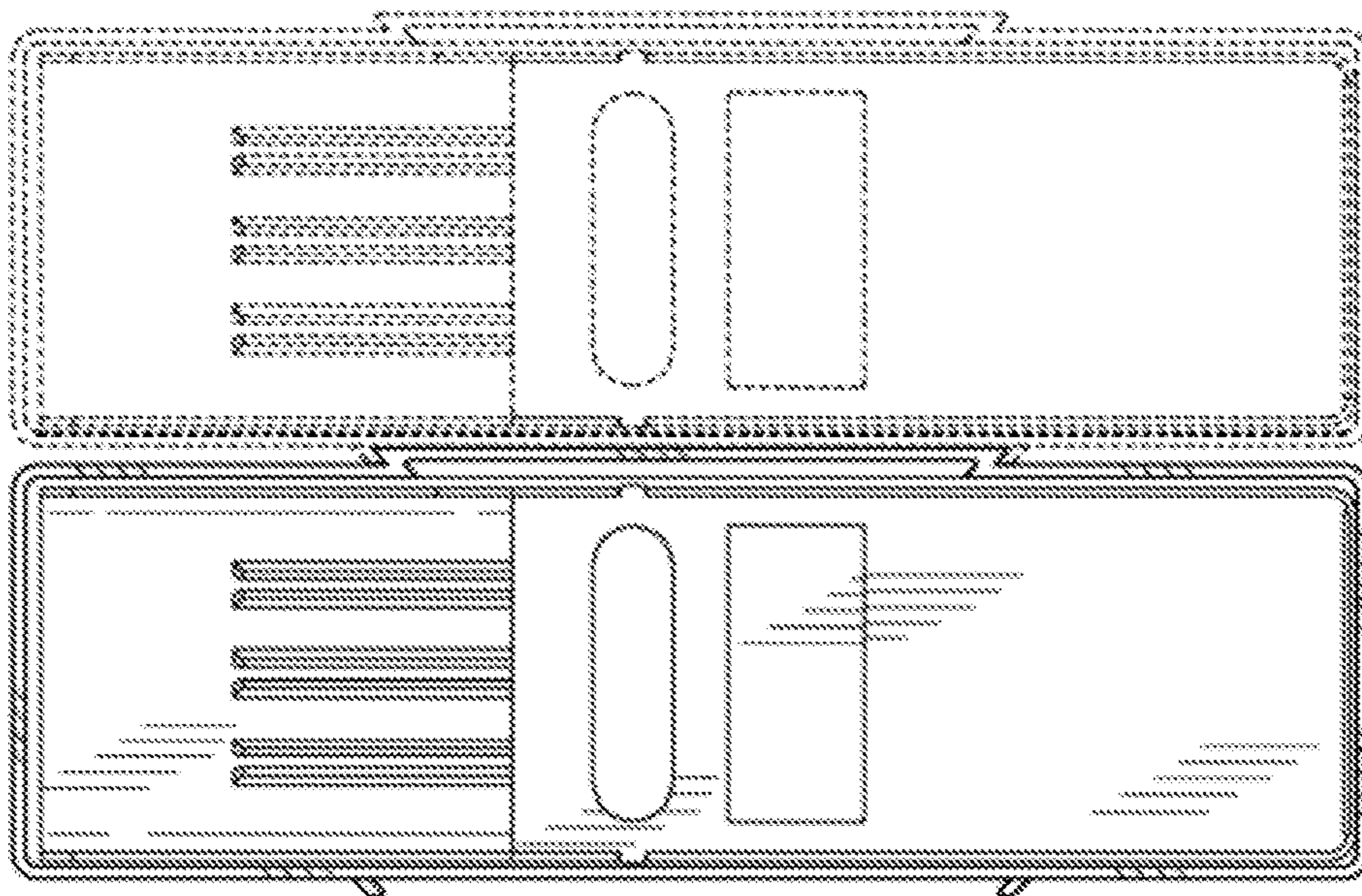


FIG. 10

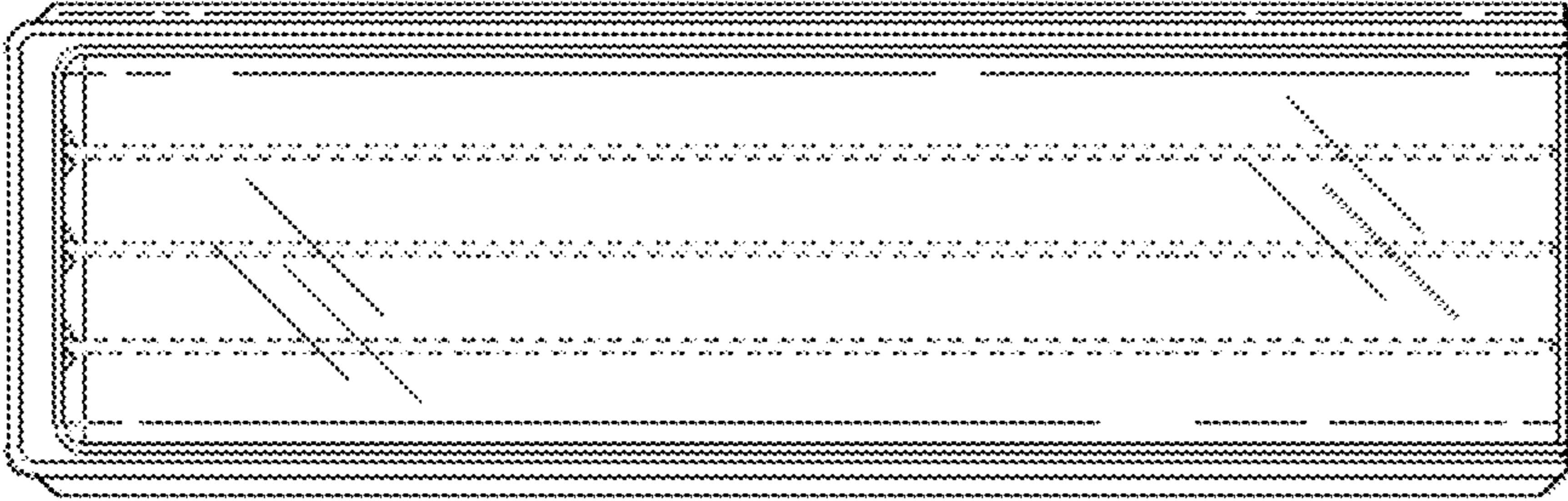


FIG. 12