



US00D801046S

(12) **United States Design Patent**
Bores

(10) **Patent No.:** **US D801,046 S**

(45) **Date of Patent:** **** Oct. 31, 2017**

(54) **CONTAINER**

(71) Applicant: **ENTEGRIS, INC.**, Billerica, MA (US)

(72) Inventor: **Gregory Bores**, Prior Lake, MN (US)

(73) Assignee: **Entegris, Inc.**, Billerica, MA (US)

(**) Term: **15 Years**

(21) Appl. No.: **29/544,422**

(22) Filed: **Nov. 3, 2015**

Related U.S. Application Data

(63) Continuation-in-part of application No. 29/538,054, filed on Aug. 31, 2015.

(51) **LOC (10) Cl.** **03-01**

(52) **U.S. Cl.**
USPC **D3/273; D3/905**

(58) **Field of Classification Search**
USPC D3/201, 203.1, 203.2, 203.6, 203.7,
D3/203.8, 202, 204, 205, 206, 247, 272,
D3/273, 276, 281, 282, 292, 294, 315,
D3/901, 903, 904, 905; D9/600, 643,
D9/644, 645, 651, 655, 657, 420, 423,
D9/424, 425, 430, 431, 432, 443, 529,
D9/428, 429; D14/480.1, 480.2, 480.3,
D14/480.5; D34/17, 19; D7/612, 613,
D7/615, 317, 598, 629, 509
CPC A47B 31/00; A22C 7/0046; B65F 1/122;
B65D 19/004; F25D 3/08; A47G 23/04;
A47G 19/027; A47G 19/127; A47G
19/2288; A47G 19/285; A45J 41/00;
H01L 21/67379

See application file for complete search history.

(56) **References Cited**

U.S. PATENT DOCUMENTS

3,760,972 A * 9/1973 McKirnan A47G 19/12
206/515
D282,896 S * 3/1986 Conti D7/614

D287,691 S * 1/1987 Conti D7/317
5,482,161 A * 1/1996 Williams H01L 21/67369
141/98
D426,463 S * 6/2000 Landis, II D9/428
6,223,396 B1 * 5/2001 Wartenbergh H01L 21/67379
16/430
D473,788 S * 4/2003 Chen D9/425
D626,829 S * 11/2010 Touchet D9/428
D632,171 S * 2/2011 Grajcar D9/429
D695,111 S * 12/2013 Hansen B65D 85/8043
D9/429
D733,497 S * 7/2015 Sorensen D7/509
(Continued)

OTHER PUBLICATIONS

Salonsmart.com. "Glass Bead Sterilizer Machine for Nail Salons." Retrieved Dec. 30, 2016. (<http://salonsmart.com/Glass-Bead-Sterilizer-Machine-For-Nail-Salons?sc=15&category=112224>).*

Primary Examiner — Jennifer Rivard
Assistant Examiner — Jerry Hsu

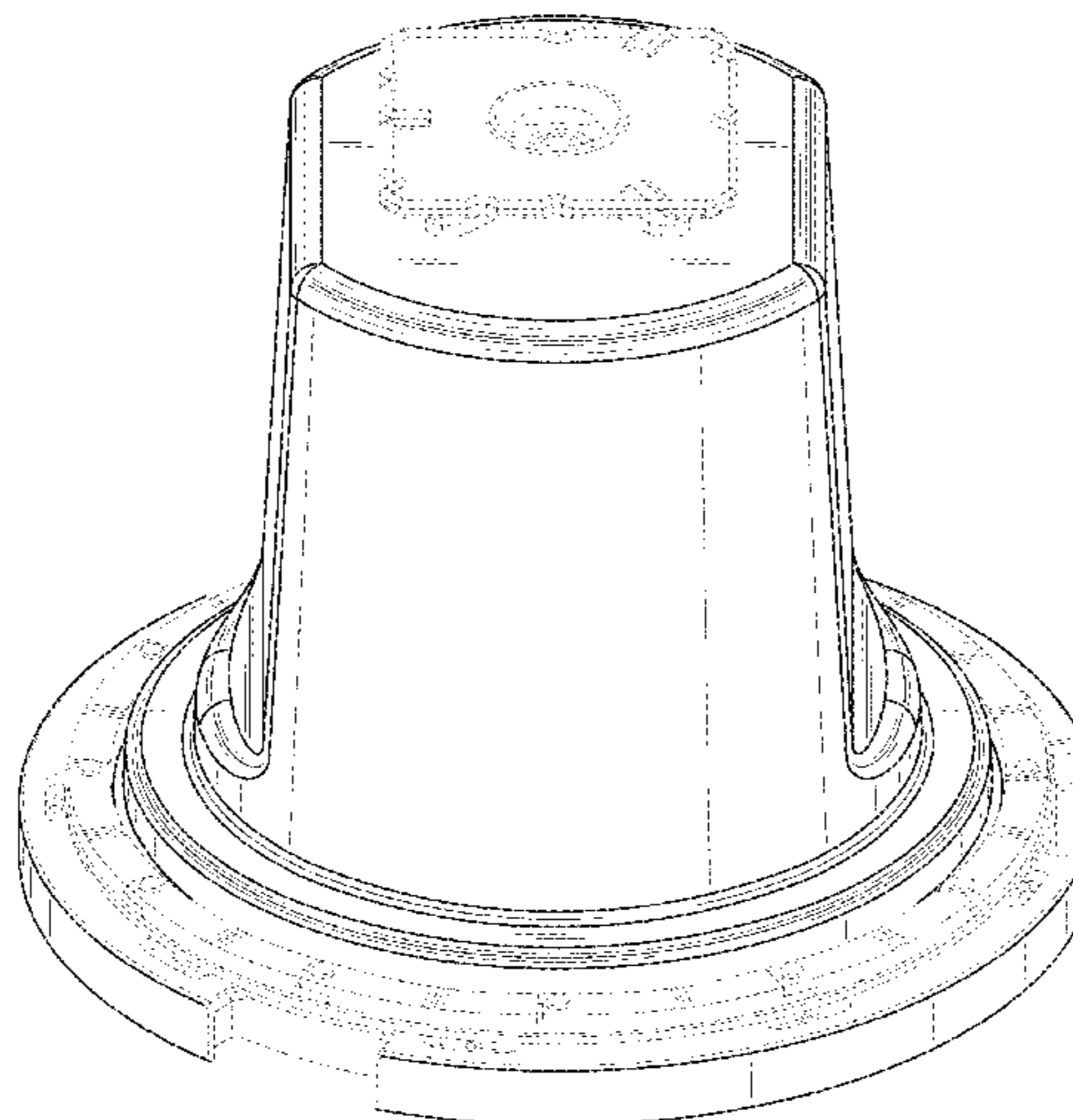
(57) **CLAIM**

I claim the ornamental design for a container, as shown and described.

DESCRIPTION

FIG. 1 is a left side perspective view of a container according to an embodiment of the invention.
FIG. 2 is a right side perspective view of the container of FIG. 1.
FIG. 3 is a top plan view of the container of FIG. 1.
FIG. 4 is a bottom plan view of the container of FIG. 1.
FIG. 5 is a front elevation view of the container of FIG. 1; and,
FIG. 6 is a rear elevation view of the container of FIG. 1.
The broken lines shown in the drawings form no part of the claimed design.

1 Claim, 6 Drawing Sheets



(56)

References Cited

U.S. PATENT DOCUMENTS

D753,482 S * 4/2016 Serrano D9/428
2016/0365265 A1 * 12/2016 Kirkland H01L 21/67346

* cited by examiner

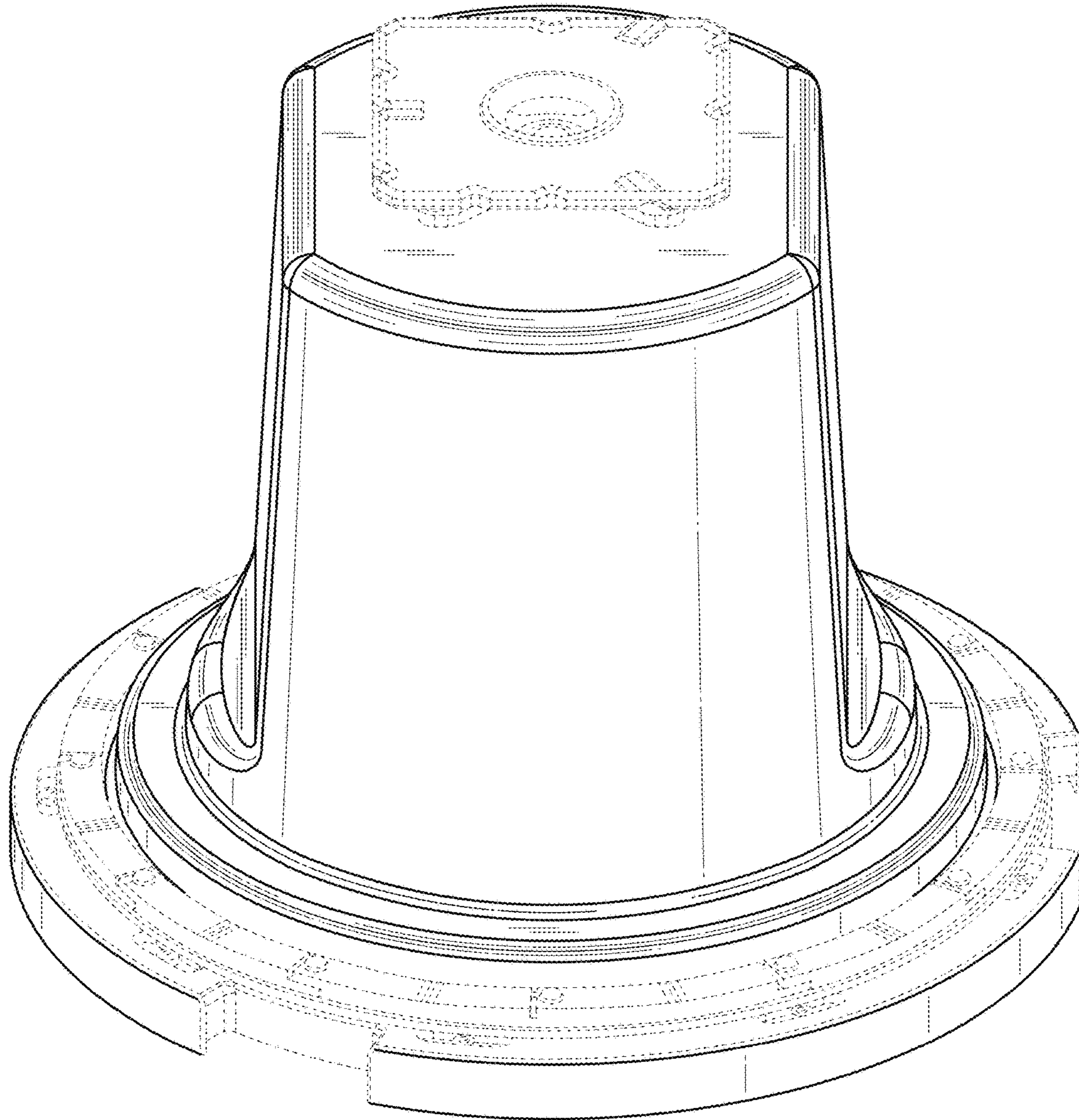


FIG. 1

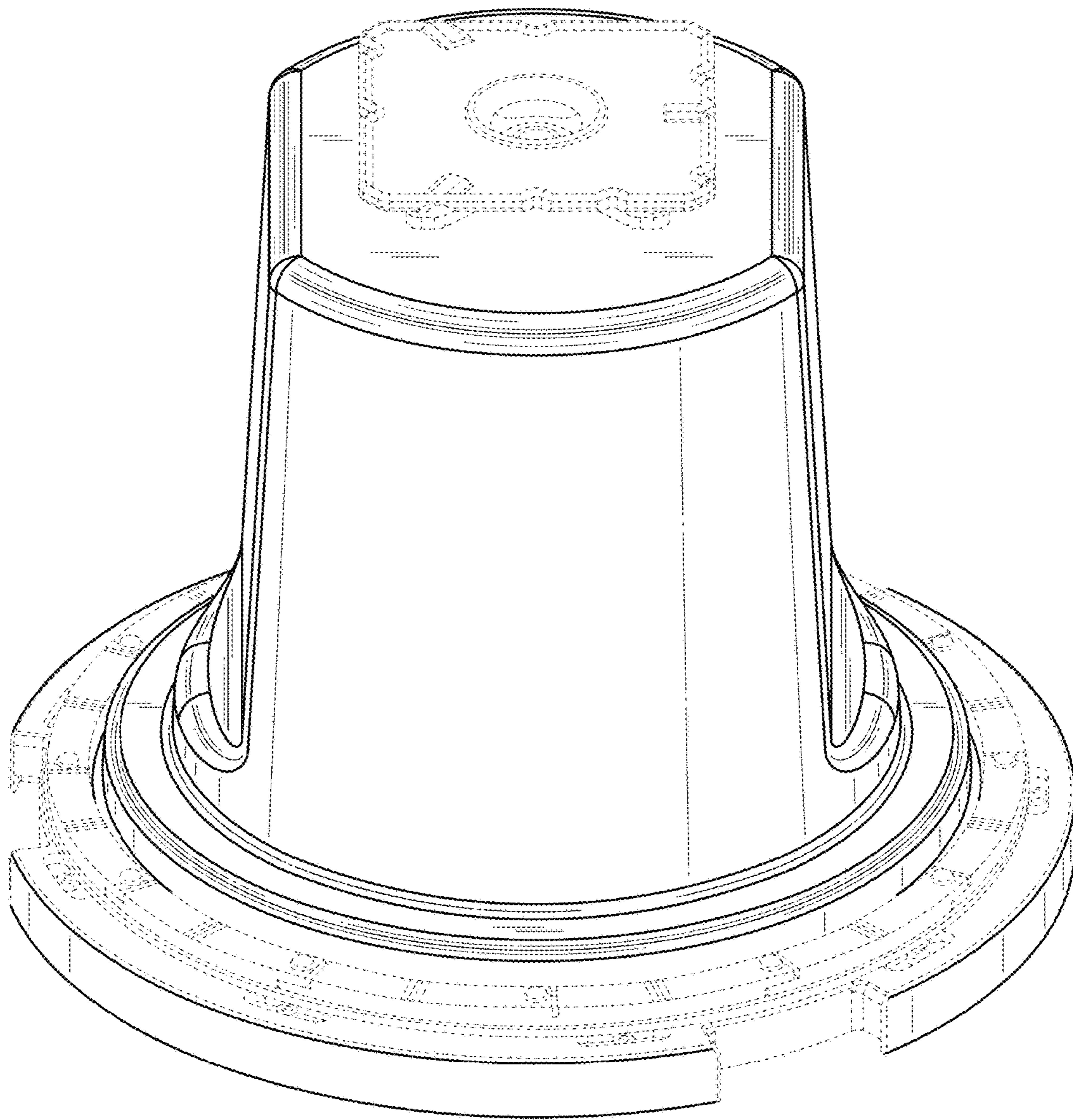


FIG. 2

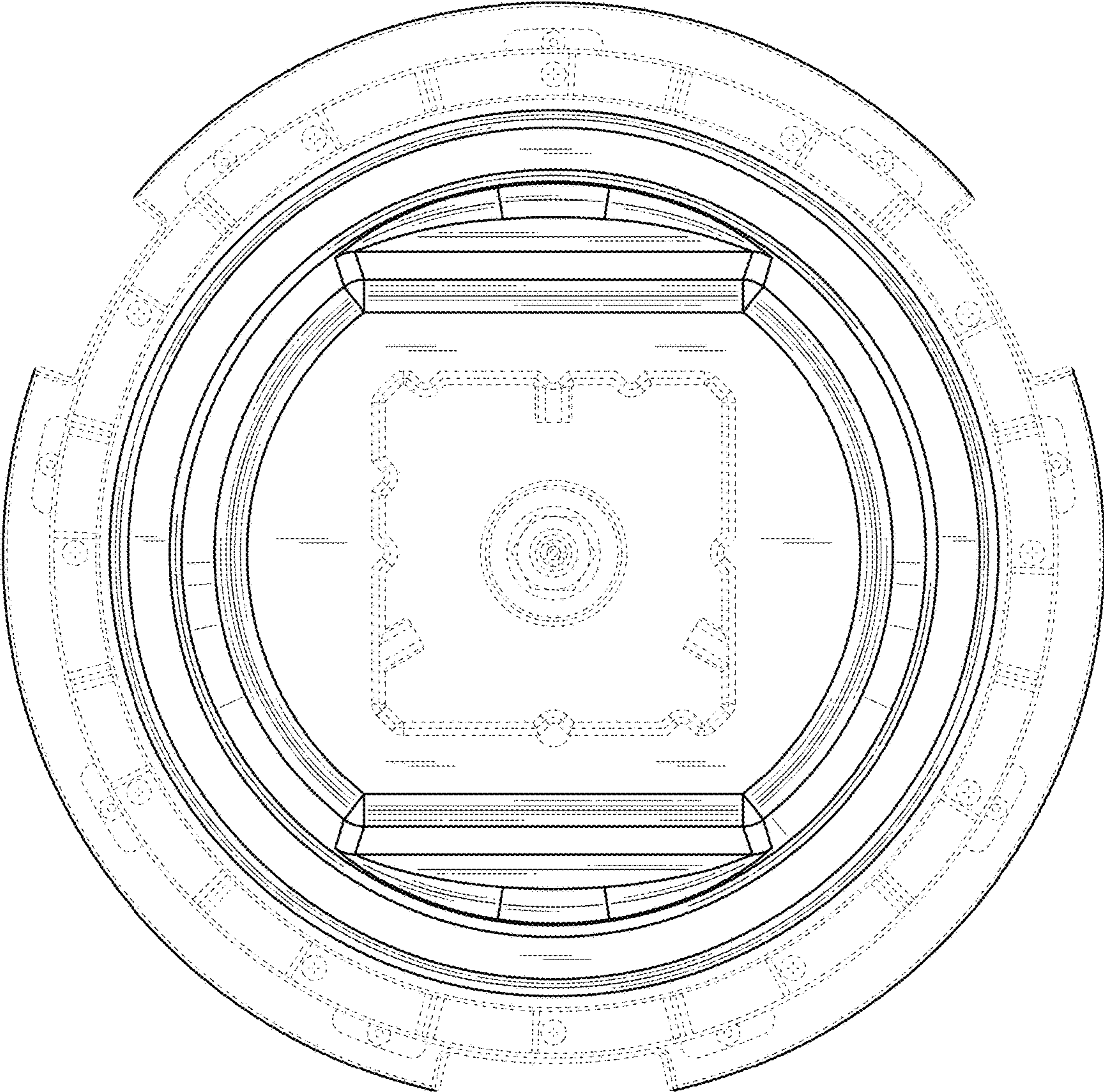


FIG. 3

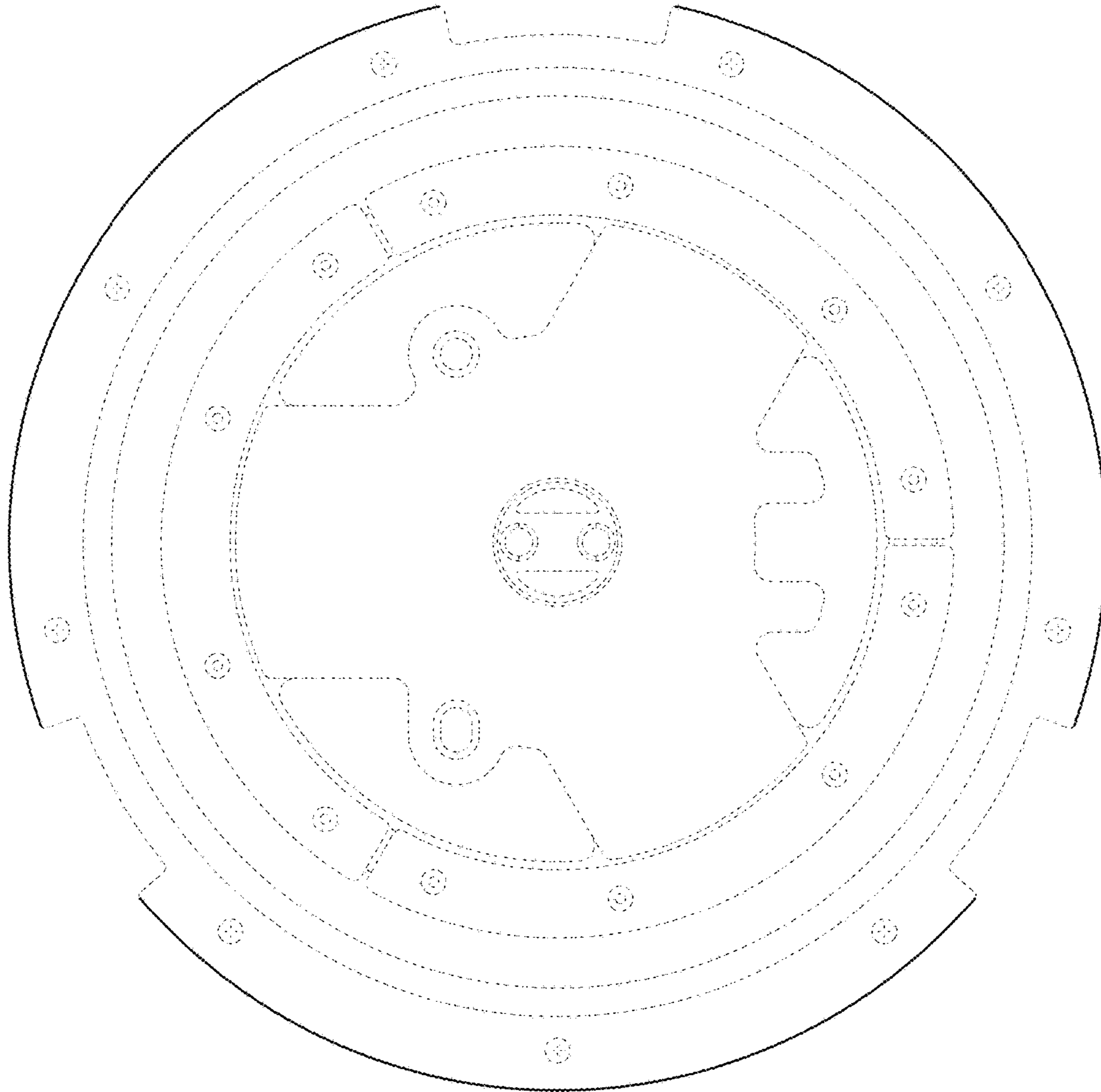


FIG. 4

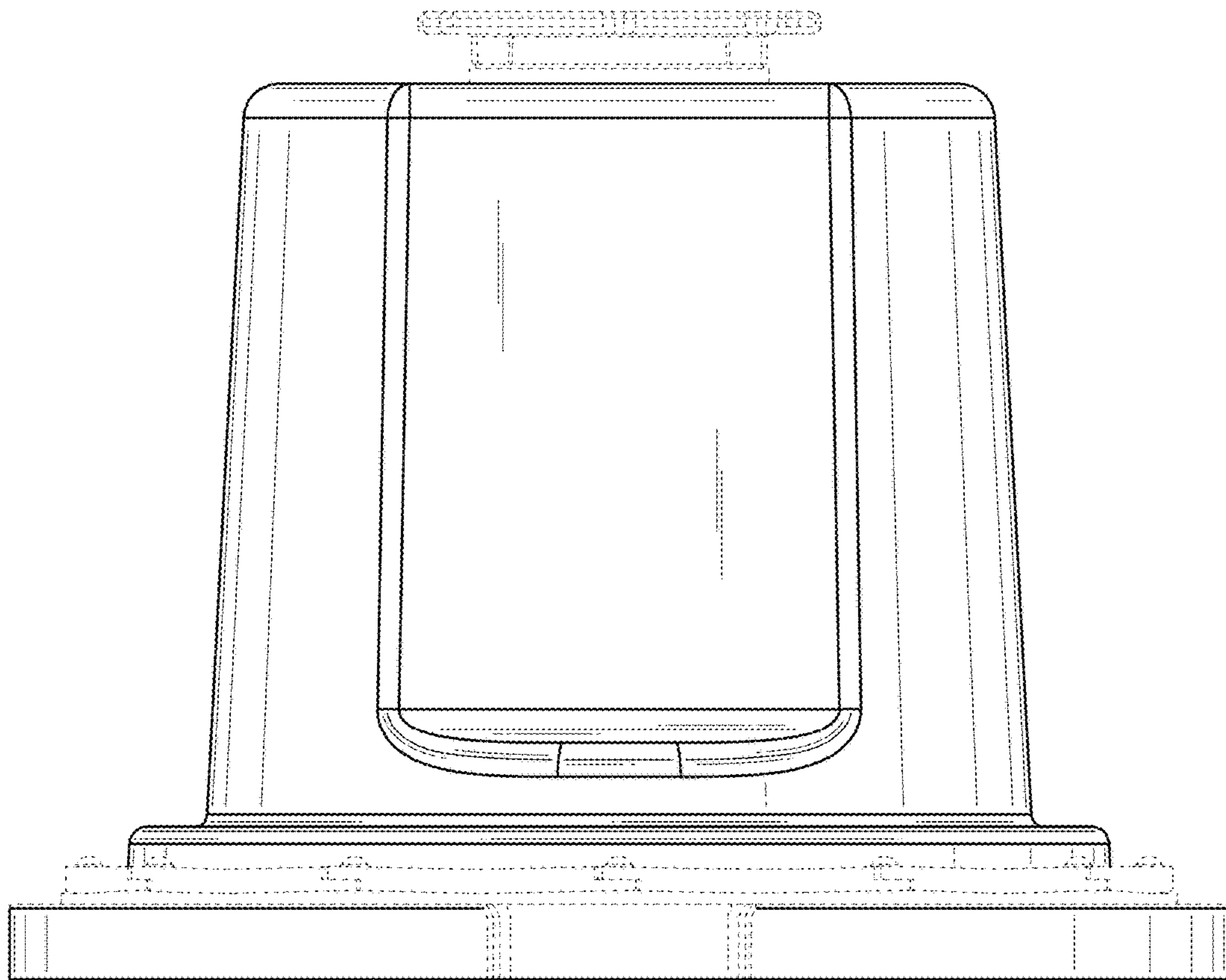


FIG. 5

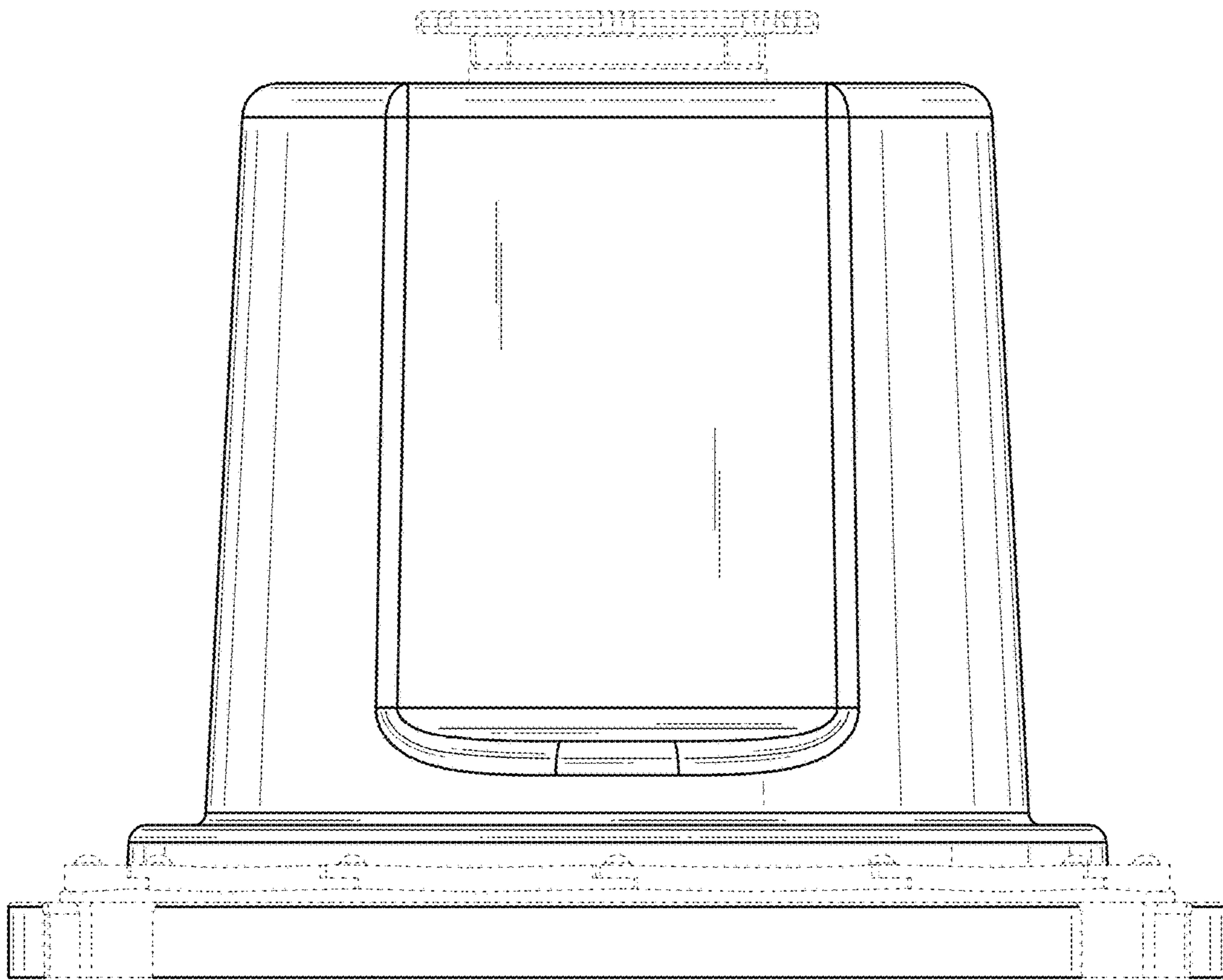


FIG. 6