



US00D801042S

(12) **United States Design Patent** (10) **Patent No.:** **US D801,042 S**
Nair (45) **Date of Patent:** **** Oct. 31, 2017**

- (54) **HANDBAG**
- (71) Applicant: **MOYNAT PARIS SAS**, Paris (FR)
- (72) Inventor: **Ramesh Nair**, Paris (FR)
- (73) Assignee: **MOYNAT PARIS SAS**, Paris (FR)
- (**) Term: **15 Years**
- (21) Appl. No.: **29/569,247**
- (22) Filed: **Jun. 24, 2016**

D756,637 S * 5/2016 Philo D3/245
 D783,277 S * 4/2017 Spaziani D3/245
 D783,279 S * 4/2017 Sassi D3/245

* cited by examiner

Primary Examiner — Holly H Baynham
 (74) *Attorney, Agent, or Firm* — Avery N. Goldstein;
 Blue Filament Law PLLC

(57) **CLAIM**

The ornamental design for a handbag, as shown and described.

DESCRIPTION

(30) **Foreign Application Priority Data**

May 16, 2016 (EM) 003130384.0001

(51) **LOC (10) Cl.** **03-01**

(52) **U.S. Cl.**
USPC **D3/245**

(58) **Field of Classification Search**
USPC D3/232–233, 240–243, 245–246
CPC A45C 1/024; A45C 3/06
See application file for complete search history.

(56) **References Cited**

U.S. PATENT DOCUMENTS

D698,147 S * 1/2014 Deneve D3/245
 D726,412 S * 4/2015 Fusi D3/245
 D756,115 S * 5/2016 Slimane D3/245

FIG. 1 is a perspective view of a handbag showing my new design, with a strap shown in broken lines for context; FIG. 2 is a front view of view thereof, where the strap is not shown for visual clarity, where the review view is a mirror image of FIG. 2; FIG. 3 is a top view thereof, where the strap is not shown for visual clarity; FIG. 4 is a bottom view thereof, where the strap is not shown for visual clarity; FIG. 5 is left side view thereof where the strap is not shown for visual clarity; and, FIG. 6 is right side view thereof where the strap is not shown for visual clarity. The dot-dot-dashed broken lines showing a handbag strap are for the purposes of illustrating environment and form no part of the claimed design. The evenly space broken lines represent stitching and are part of the claimed design.

1 Claim, 4 Drawing Sheets

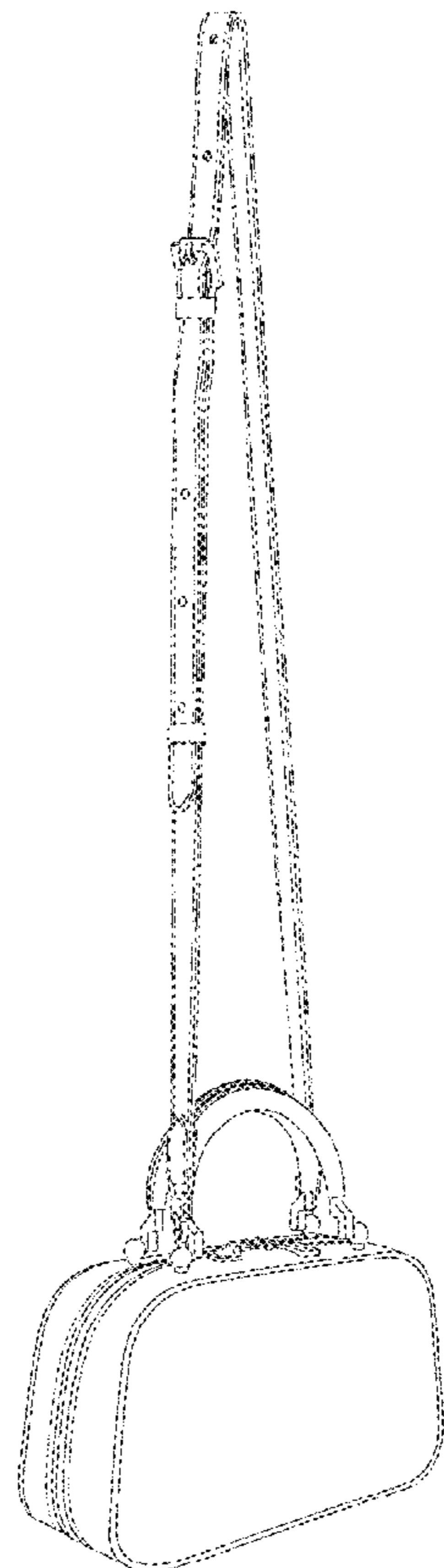


FIG. 1

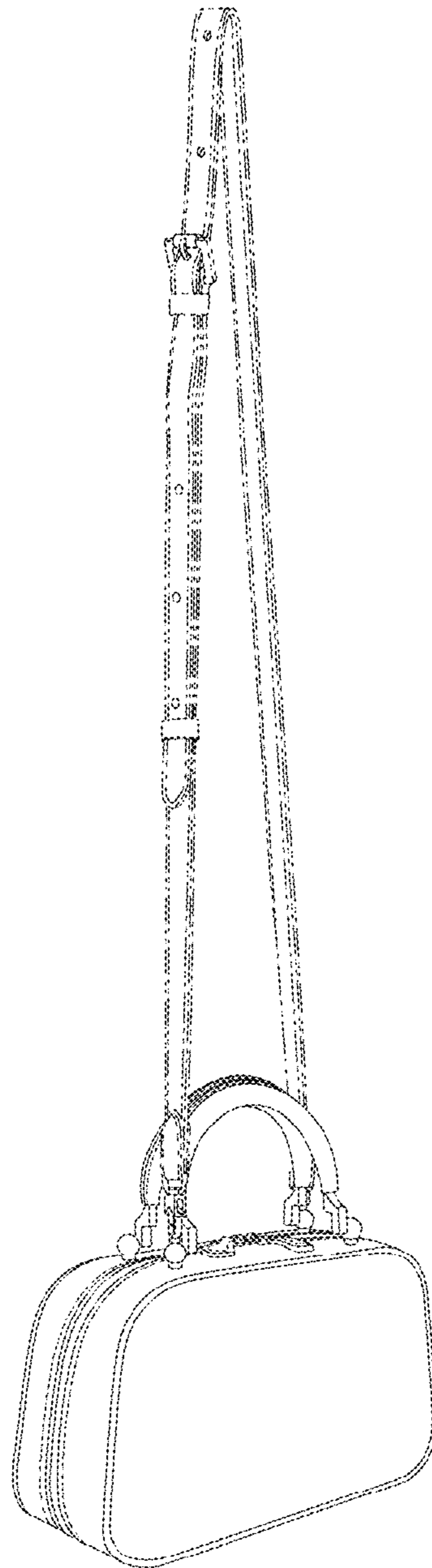




FIG. 2

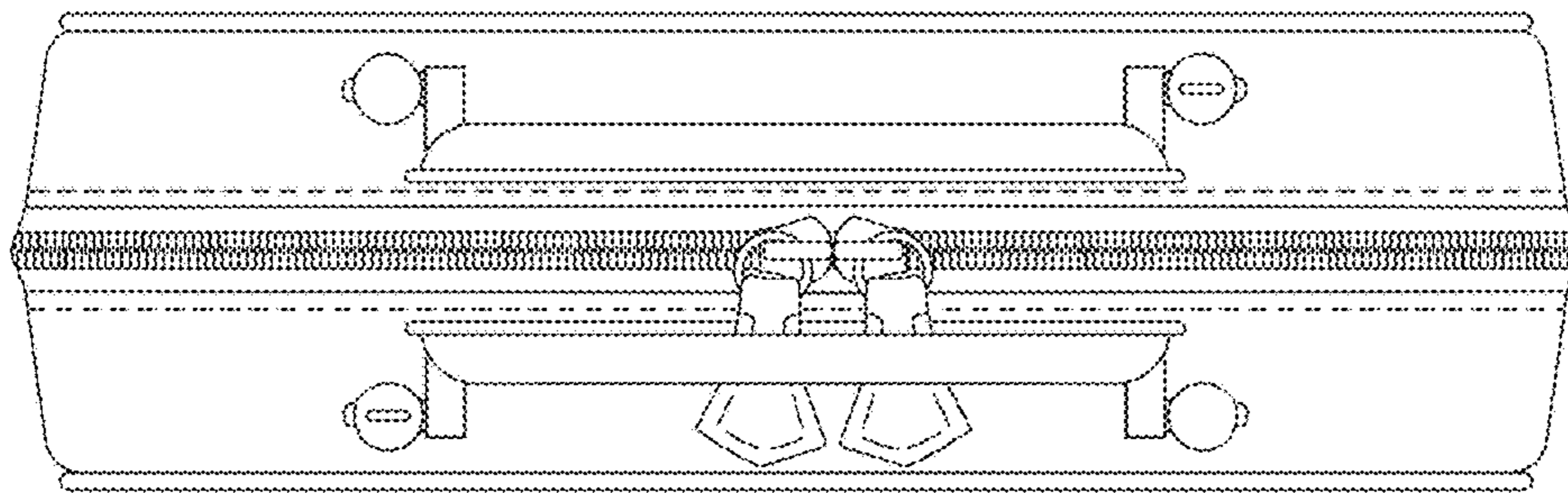


FIG. 3

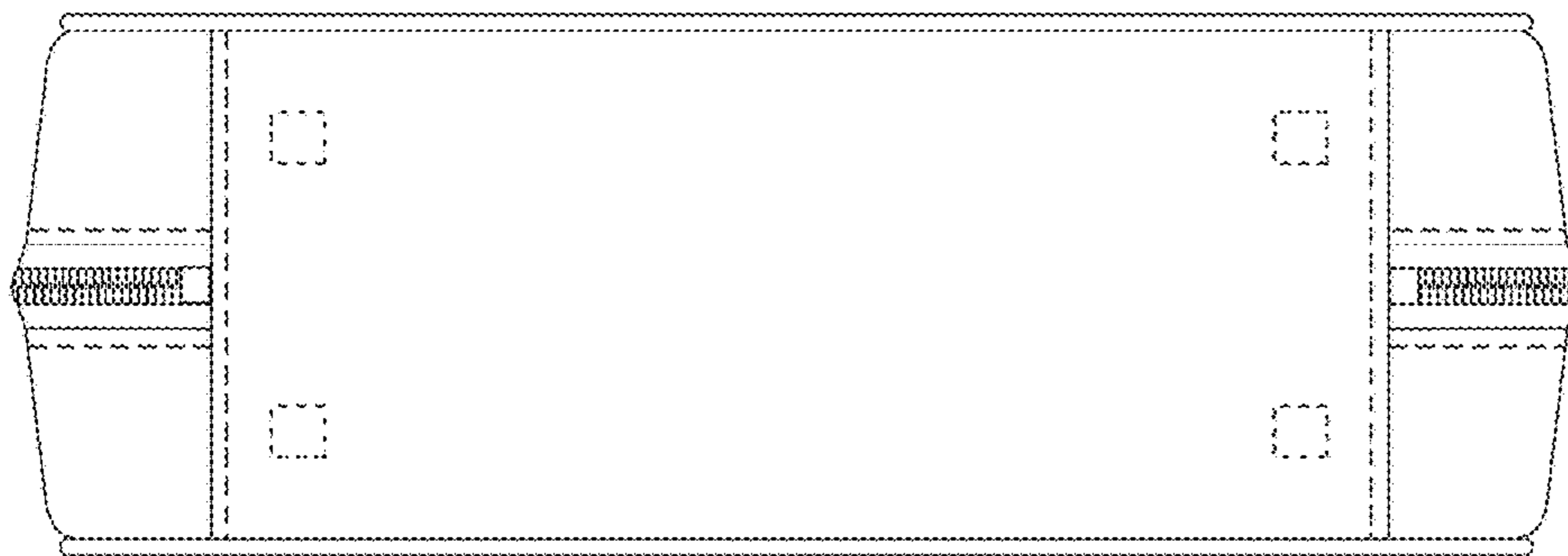


FIG. 4

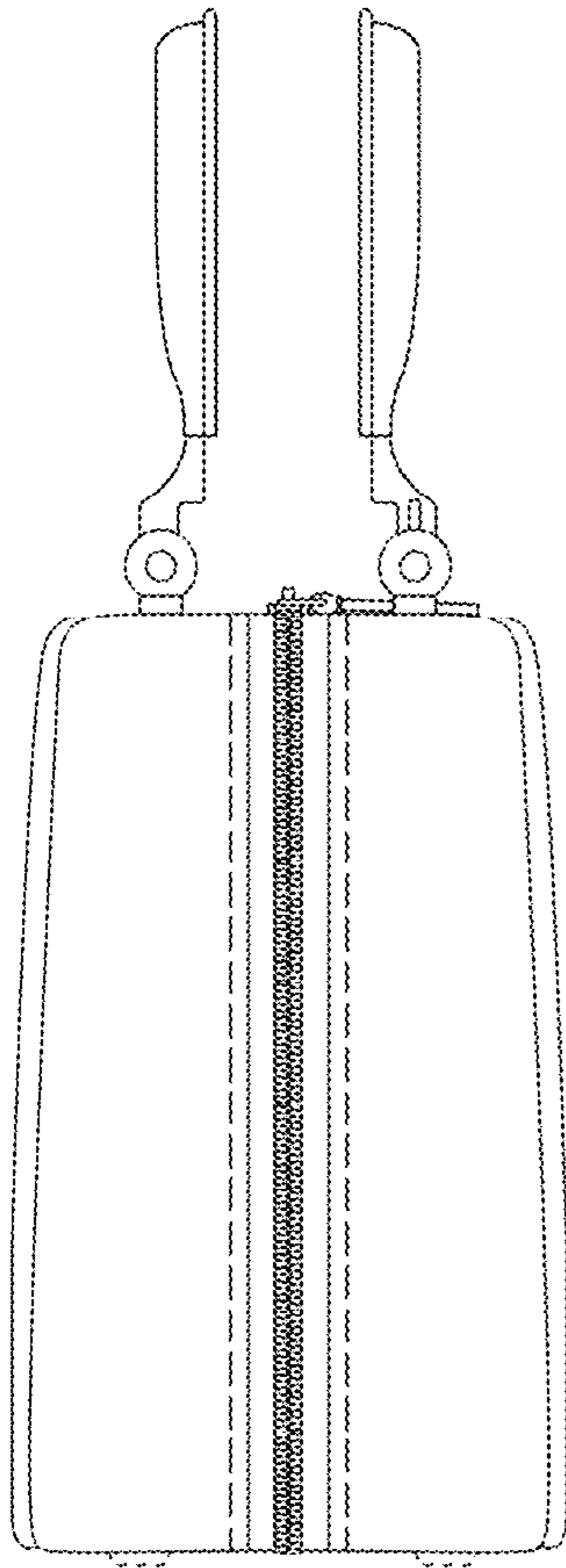


FIG. 5

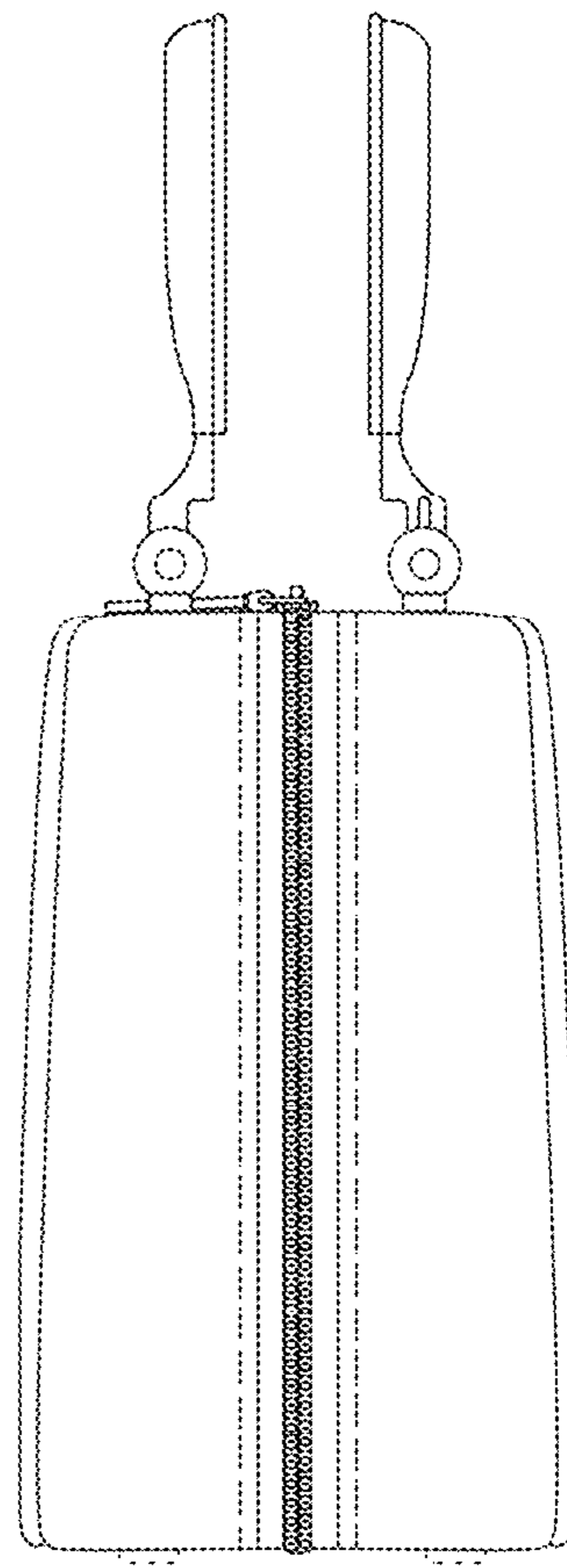


FIG. 6