



US00D801041S

(12) **United States Design Patent** (10) **Patent No.:** **US D801,041 S**
Lance et al. (45) **Date of Patent:** **** Oct. 31, 2017**

(54) **HOLSTER**
(71) Applicant: **VISTA OUTDOOR OPERATIONS LLC**, Clearfield, UT (US)
(72) Inventors: **Troy E. Lance**, Livingston, MT (US); **Liam Yarbrough**, Nampa, IN (US); **Robert Kincaid**, Manhattan, MT (US); **Paul N. Smith**, Bozeman, MT (US); **Christopher J. Michael**, Belgrade, MT (US)
(73) Assignee: **Vista Outdoor Operations LLC**, Farmington, UT (US)

1,635,984 A 7/1927 Corriston
1,641,439 A 9/1927 Jovino
1,750,139 A 3/1930 Swift
1,851,352 A 3/1932 Denkert
1,951,865 A 3/1934 Franz
2,051,844 A 8/1936 Green
2,088,811 A 8/1937 Ray
2,109,734 A 3/1938 Preneta
(Continued)

FOREIGN PATENT DOCUMENTS

EP 1975542 A2 10/2008
EP 2757271 7/2014
(Continued)

(**) Term: **15 Years**
(21) Appl. No.: **29/569,417**
(22) Filed: **Jun. 27, 2016**

OTHER PUBLICATIONS

European Patent Office, Search Opinion of Application No. 10828676.6, dated Feb. 16, 2015 3 pages.
(Continued)

Related U.S. Application Data

(63) Continuation of application No. 15/077,583, filed on Mar. 22, 2016.
(51) **LOC (10) Cl.** **03-01**
(52) **U.S. Cl.**
USPC **D3/222**
(58) **Field of Classification Search**
USPC D3/222-223, 269; 224/192-193, 224/197-198, 243-244, 587, 665, 682, 224/901.4, 911-912
CPC F41C 33/0209; F41C 33/0227; F41C 33/0263; F41C 33/845
See application file for complete search history.

Primary Examiner — Catherine R Oliver-Garcia
(74) *Attorney, Agent, or Firm* — Christensen, Fonder, Dardi & Herbert PLLC

(57) **CLAIM**

We claim the ornamental design for a holster, as shown and described.

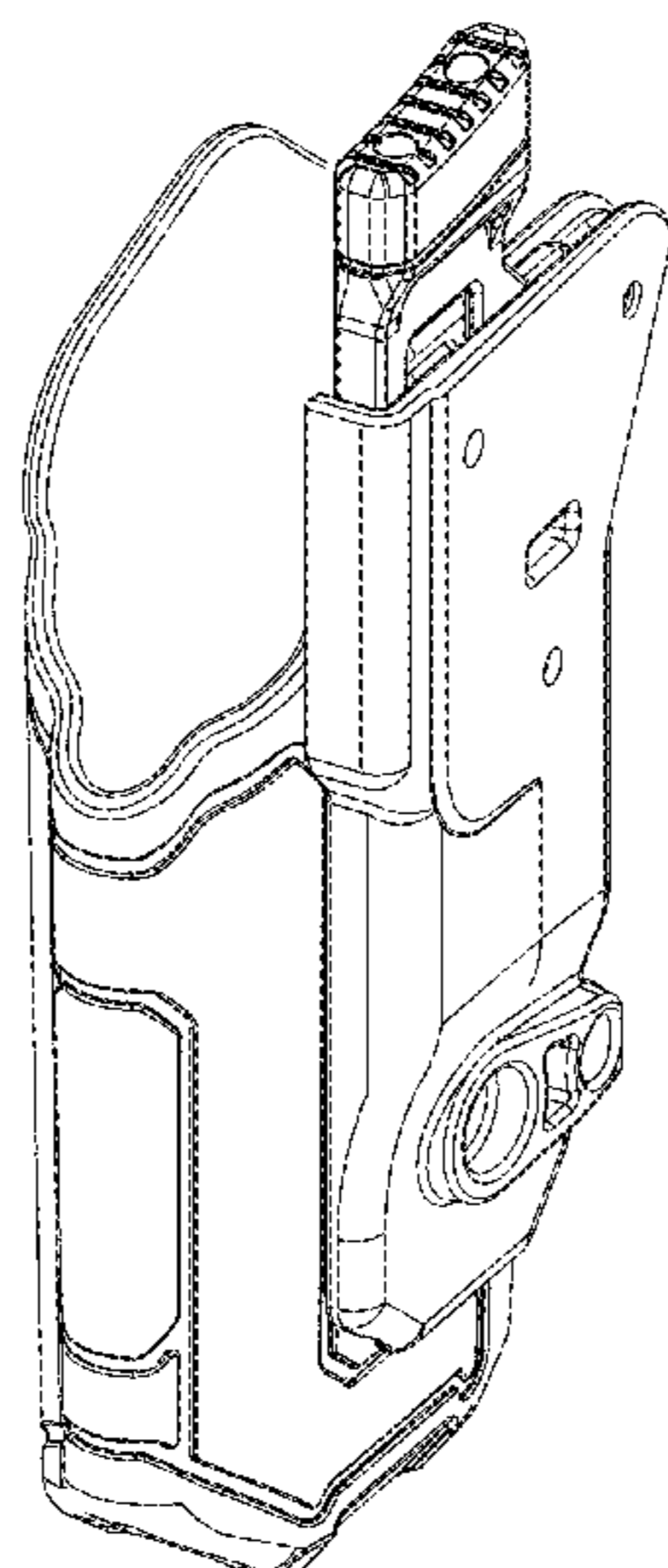
DESCRIPTION

FIG. 1 is a front, left, perspective view of the holster.
FIG. 2 is a rear, right perspective view of the holster of FIG. 1.
FIG. 3 is a rear elevation view of the holster of FIG. 1.
FIG. 4 is a right side view of the holster of FIG. 1.
FIG. 5 is a front elevation view of the holster of FIG. 1.
FIG. 6 is a left side view of the holster of FIG. 1.
FIG. 7 is a top plan view of the holster of FIG. 1; and, FIG. 8 is a bottom plan view of the holster of FIG. 1.

1 Claim, 4 Drawing Sheets

(56) **References Cited**
U.S. PATENT DOCUMENTS

1,046,912 A 12/1912 Wanee
1,113,530 A 10/1914 Audley
1,148,935 A 8/1915 Snavely
1,421,578 A 7/1922 Schussler



(56)

References Cited

U.S. PATENT DOCUMENTS

2,349,376 A	5/1944	Ray	6,349,496 B1	2/2002	Neely
2,443,397 A	6/1948	Myres	6,389,726 B1	5/2002	Bentley
2,551,913 A	5/1951	Toby	6,398,089 B1	6/2002	Har-Shen
2,577,869 A	12/1951	Adams	6,415,541 B1	7/2002	Rassias
2,893,615 A	7/1959	Couper	6,467,660 B1	10/2002	Rogers et al.
3,289,903 A	12/1966	Taormina	6,523,374 B1	2/2003	Owens
3,419,728 A	12/1968	Wilson	6,533,149 B2	3/2003	Vor Keller et al.
3,420,420 A	1/1969	Clark	6,547,111 B2	4/2003	French
3,550,821 A	12/1970	Daigle	6,585,209 B1	7/2003	Mattingly
3,550,822 A	12/1970	Lloyd	6,588,635 B2	7/2003	Vor Keller et al.
3,669,325 A	6/1972	Furman	6,604,657 B2	8/2003	Yirmiyahu et al.
3,718,240 A	2/1973	Rose	6,616,020 B1	9/2003	Spielberger
3,777,952 A	12/1973	Theodore	6,634,527 B2	10/2003	Liu
3,804,306 A	4/1974	Azurin	6,641,009 B2	11/2003	French et al.
3,828,990 A	8/1974	Baldocchi	6,732,891 B2	5/2004	Locklear, III
3,866,811 A	2/1975	Hamby	6,752,300 B2	6/2004	Har-Shen
3,904,091 A	9/1975	Jones	6,755,331 B2	6/2004	Rassias
3,910,469 A	10/1975	Baldocchi	6,769,581 B2	8/2004	Rogers et al.
RE30,139 E	11/1979	Jones	6,769,582 B1	8/2004	Beletsky et al.
4,277,007 A	7/1981	Bianchi et al.	6,799,392 B2	10/2004	Milec et al.
4,846,384 A	7/1989	Perry	D501,991 S	2/2005	Cook et al.
5,018,654 A	5/1991	Rogers et al.	6,854,626 B2	2/2005	Liao
5,048,735 A	9/1991	McCormick	6,886,725 B2	5/2005	Lowe et al.
5,082,318 A	1/1992	Held et al.	6,918,519 B2	7/2005	Vor Keller et al.
5,094,376 A	3/1992	Baruch	6,948,644 B1	9/2005	Beletsky
5,100,036 A	3/1992	Rogers et al.	D512,561 S	12/2005	Cook et al.
5,127,566 A	7/1992	Beletsky	7,140,523 B2	11/2006	Lowe et al.
5,129,562 A	7/1992	Bianchi	7,200,965 B2	4/2007	Vor Keller et al.
5,199,620 A	4/1993	Beletsky	7,258,259 B1	8/2007	Owens
5,215,238 A	6/1993	Baruch	7,434,712 B2	10/2008	Cook et al.
5,275,317 A	1/1994	Rogers et al.	7,461,765 B2	12/2008	French et al.
5,282,559 A	2/1994	Wisser et al.	7,530,456 B1	5/2009	Tsai
5,284,281 A	2/1994	Nichols	7,543,404 B2	6/2009	Kovalchuk et al.
5,322,200 A	6/1994	Blanchard	7,556,181 B2	7/2009	Spielberger
5,358,160 A	10/1994	Bianchi	7,562,797 B2	7/2009	Senn et al.
5,372,288 A	12/1994	Rogers et al.	7,584,875 B2	9/2009	Lowe et al.
5,395,021 A	3/1995	Brown	7,591,402 B2	9/2009	Rassias
5,419,474 A	5/1995	Marx et al.	7,644,845 B2	1/2010	Lowe
5,421,497 A	6/1995	Gilmore	7,694,860 B2	4/2010	Clifton, Jr.
5,449,103 A	9/1995	Tilley	7,735,255 B1	6/2010	Kincaid et al.
5,458,266 A	10/1995	Pichot	7,762,018 B1	7/2010	Fitzpatrick et al.
5,467,909 A	11/1995	Resca et al.	7,819,294 B2	10/2010	Lowe et al.
5,501,380 A	3/1996	Wu	7,841,497 B1	11/2010	Gregory et al.
5,501,381 A	3/1996	Rogers et al.	7,850,053 B2	12/2010	Rassias
5,509,591 A	4/1996	Carver	7,922,050 B2	4/2011	Benes
5,513,785 A	5/1996	Campagna, Jr.	7,934,333 B1	5/2011	Tuz
5,518,155 A	5/1996	Gallagher	7,937,880 B1	5/2011	Fidlow
5,551,611 A	9/1996	Gilmore	7,950,553 B2	5/2011	Rassias
5,570,830 A	11/1996	Nichols	7,954,971 B1	6/2011	Kincaid et al.
5,573,157 A	11/1996	Mauriello et al.	8,052,018 B2	11/2011	Gallagher
5,598,958 A	2/1997	Ryan, III et al.	8,096,453 B2	1/2012	Lowe et al.
5,611,164 A	3/1997	Rassias	8,132,355 B1	3/2012	Kincaid et al.
5,622,295 A	4/1997	Hellweg et al.	8,141,758 B2	3/2012	Spielberger
5,749,507 A	5/1998	Wood	8,177,108 B1	5/2012	Kincaid et al.
5,758,448 A	6/1998	Thummel	8,215,525 B2	7/2012	Rassias
5,768,816 A	6/1998	Rassias	8,235,263 B1 *	8/2012	Yeates F41C 33/0227 224/193
5,779,114 A	7/1998	Owens	8,251,266 B2	8/2012	Gregory et al.
5,806,739 A	9/1998	Wood	8,281,512 B2	10/2012	Lara
5,810,221 A	9/1998	Beletsky et al.	8,302,827 B1	11/2012	Cole
5,810,222 A	9/1998	Shoemaker	8,371,487 B1	2/2013	Plappert
5,855,305 A	1/1999	Nichols	8,474,670 B1 *	7/2013	Gregory F41C 33/0263 224/243
5,916,087 A	6/1999	Owens	RE44,428 E	8/2013	Spielberger
5,918,784 A	7/1999	Serpa	8,517,235 B1	8/2013	Kincaid et al.
5,927,578 A	7/1999	Kay	8,544,706 B2	10/2013	Crye
5,931,358 A	8/1999	Rogers	8,602,275 B1	12/2013	Kiger et al.
5,944,239 A	8/1999	Rogers et al.	8,602,276 B2	12/2013	Tyybakinoja
5,961,013 A	10/1999	Collins	8,631,981 B2	1/2014	Zusman
6,085,951 A	7/2000	Beletsky et al.	8,646,665 B2	2/2014	Abushaev
6,112,962 A	9/2000	Matthews	8,690,032 B2	4/2014	Baumann et al.
6,149,042 A	11/2000	Rassias	8,720,753 B2	5/2014	Benes
6,189,751 B1	2/2001	Tserng	8,720,754 B2	5/2014	Kirsch
6,230,946 B1	5/2001	Vor Keller et al.	8,720,755 B2 *	5/2014	Gregory F41C 33/0263 224/244
6,267,279 B1	7/2001	Matthews	8,783,532 B2	7/2014	Gregory et al.
6,276,581 B1	8/2001	Glock	8,807,404 B1	8/2014	Howell et al.
6,320,975 B1	11/2001	Vieweg	8,851,344 B2	10/2014	Baumann et al.
			8,870,042 B2	10/2014	Clifton

(56)

References Cited

U.S. PATENT DOCUMENTS

8,910,839	B2	12/2014	Clifton	
8,925,773	B2	1/2015	Clifton	
D723,796	S *	3/2015	Resca	D3/222
8,985,412	B2	3/2015	Rorick et al.	
9,016,533	B2	4/2015	Visalli et al.	
9,022,262	B2	5/2015	Pellegrini	
9,057,579	B2	6/2015	Rorick et al.	
9,057,580	B2	6/2015	Rorick et al.	
9,086,254	B1	7/2015	Plappert	
9,109,855	B1	8/2015	Kincel	
9,134,093	B2	9/2015	Yeates	
D740,021	S *	10/2015	Faifer	D3/222
9,175,925	B2	11/2015	Pellegrini	
9,228,802	B2	1/2016	Ribas	
2004/0050887	A1	3/2004	Spielberger	
2004/0195282	A1	10/2004	Beletsky et al.	
2005/0205621	A1	9/2005	Shults	
2005/0205624	A1	9/2005	French et al.	
2005/0279789	A1	12/2005	Lowe	
2006/0156525	A1	7/2006	Jenkins et al.	
2006/0157520	A1	7/2006	Clifton, Jr.	
2006/0175366	A1	8/2006	Dekaise	
2006/0226185	A1	10/2006	Har-Shen	
2007/0181619	A1	8/2007	Seyfert et al.	
2008/0110947	A1	5/2008	Pikielny	
2008/0121670	A1	5/2008	Buress	
2008/0179359	A1	7/2008	Aberle et al.	
2008/0179360	A1	7/2008	Lowe et al.	
2009/0321480	A1	12/2009	Kincaid et al.	

2010/0276464	A1	11/2010	Hirt et al.
2011/0011904	A1	1/2011	Schultz et al.
2011/0101063	A1	5/2011	Zusman
2011/0163138	A1	7/2011	Tybakinoja
2011/0174849	A1	7/2011	Clifton, Jr.
2011/0174850	A1	7/2011	Clifton, Jr.
2013/0240582	A1	9/2013	Tyybakinoja et al.
2014/0048572	A1	2/2014	Yeates
2014/0109345	A1	4/2014	Melville
2015/0285587	A1	10/2015	Abushaev

FOREIGN PATENT DOCUMENTS

FR	2893404	A1	5/2007
WO	WO2010/064268		6/2010
WO	WO2013/071402		5/2013
WO	WO2014/028876		2/2014
ZA	986778		2/1999

OTHER PUBLICATIONS

European Patent Office, Supplementary Search Report of Application No. 10828676.6, dated Feb. 16, 2015 2 pages.
 Written Opinion of the International Searching Authority for International Application No. PCT/US2010/002935 dated Jan. 7, 2011.
 PCT International Preliminary Report on Patentability for International Application No. PCT/US2010/002935 dated May 15, 2012 5 pages.
 PCT International Search Report for International Application No. PCT/US2010/002935 dated Jan. 7, 2011, 2 pages.

* cited by examiner

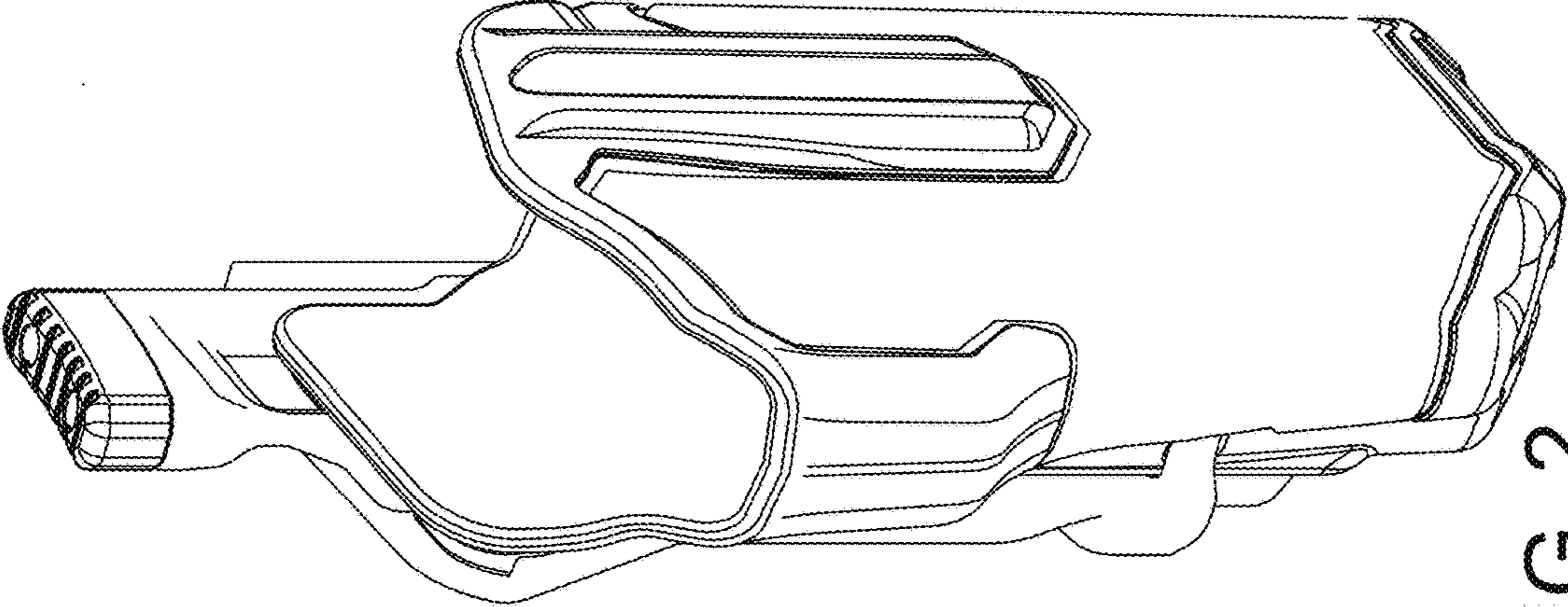


FIG. 2

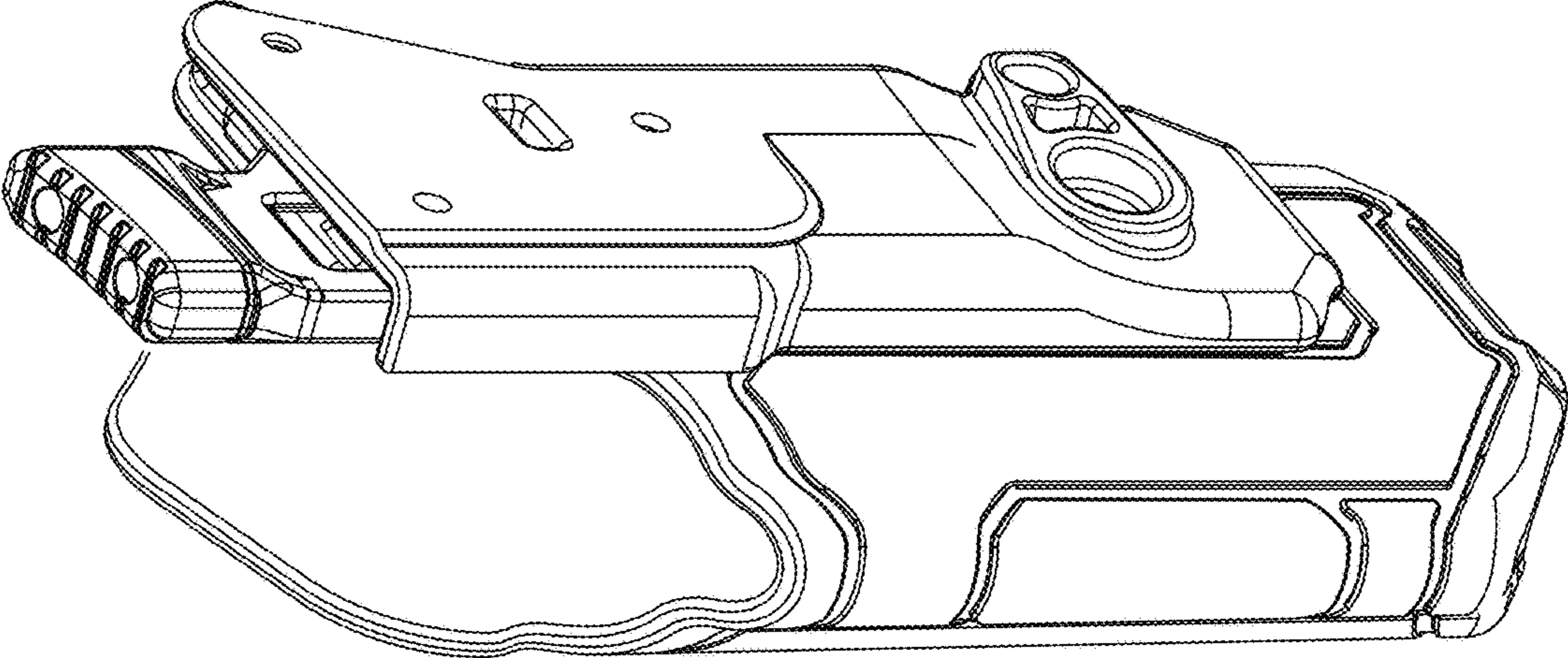


FIG. 1

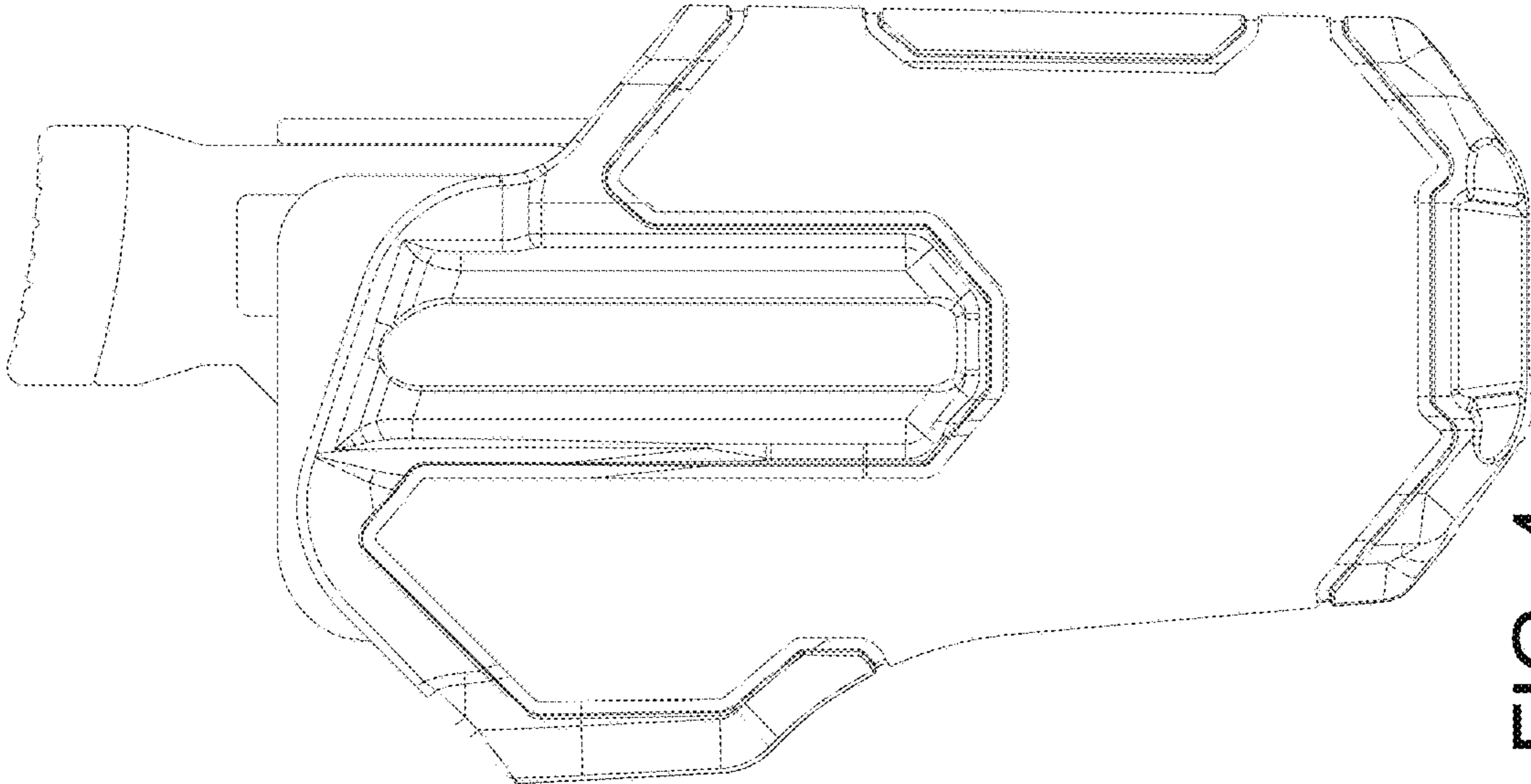


FIG. 4

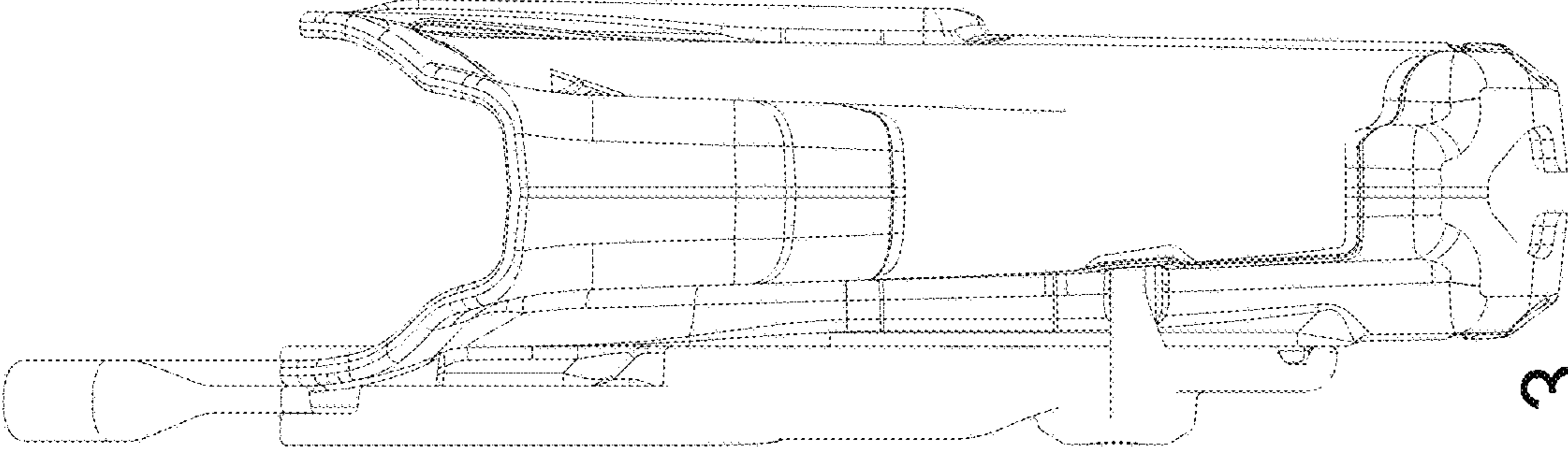


FIG. 3

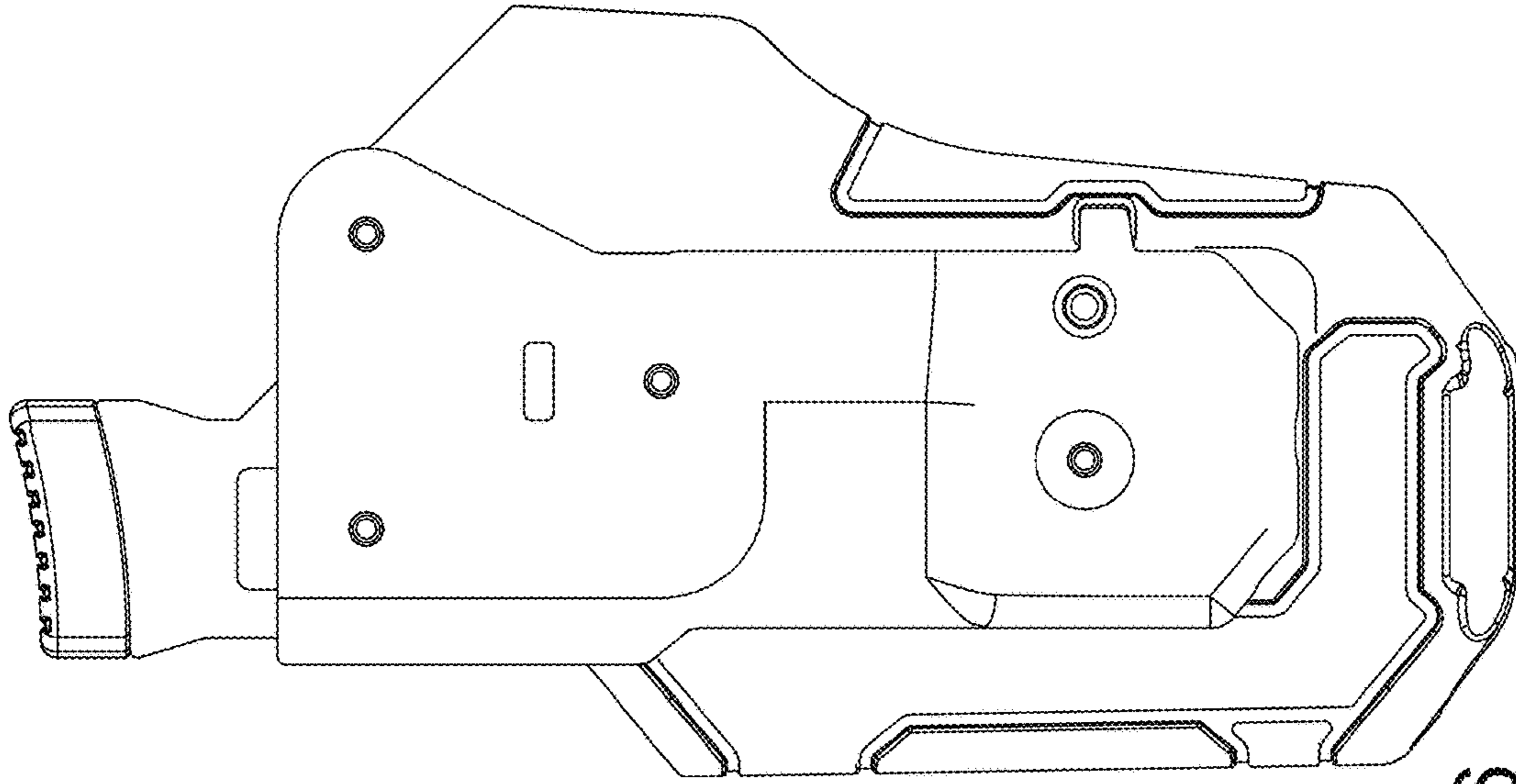


FIG. 6

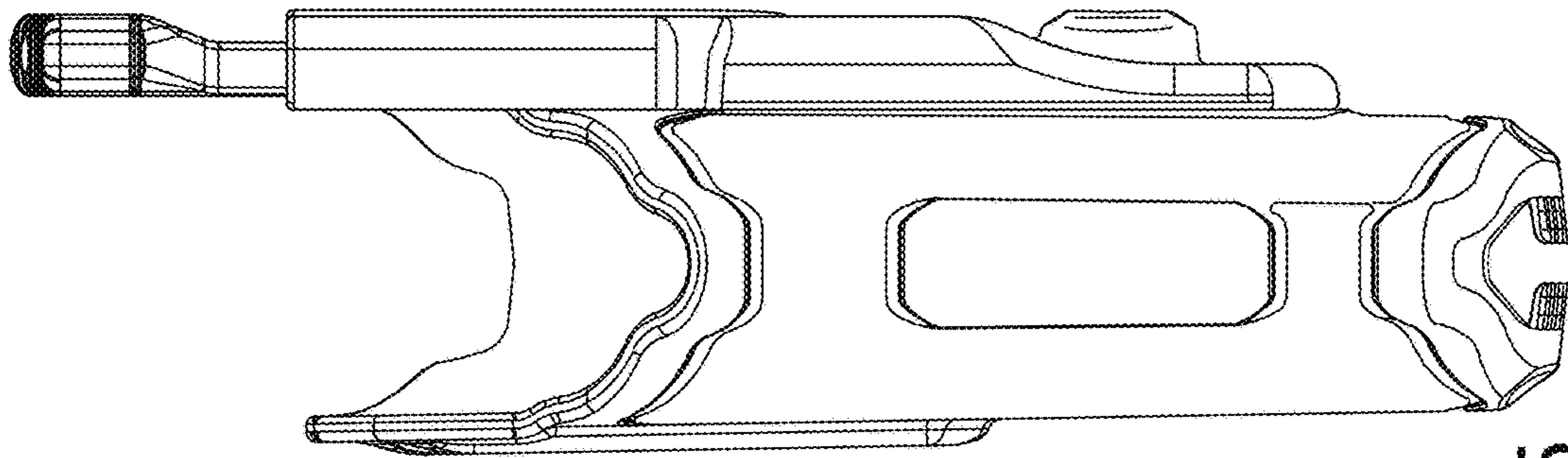


FIG. 5

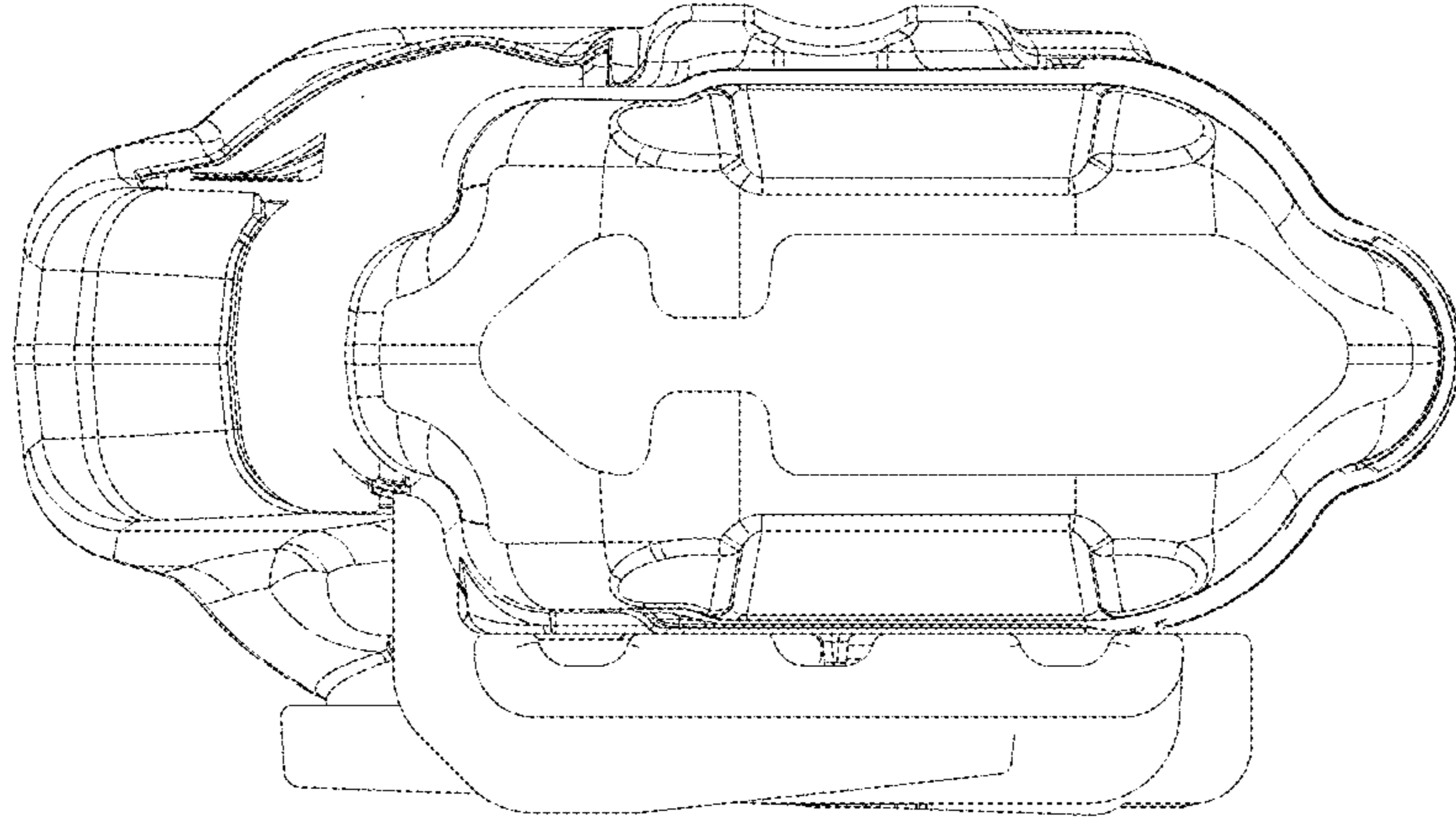


FIG. 7

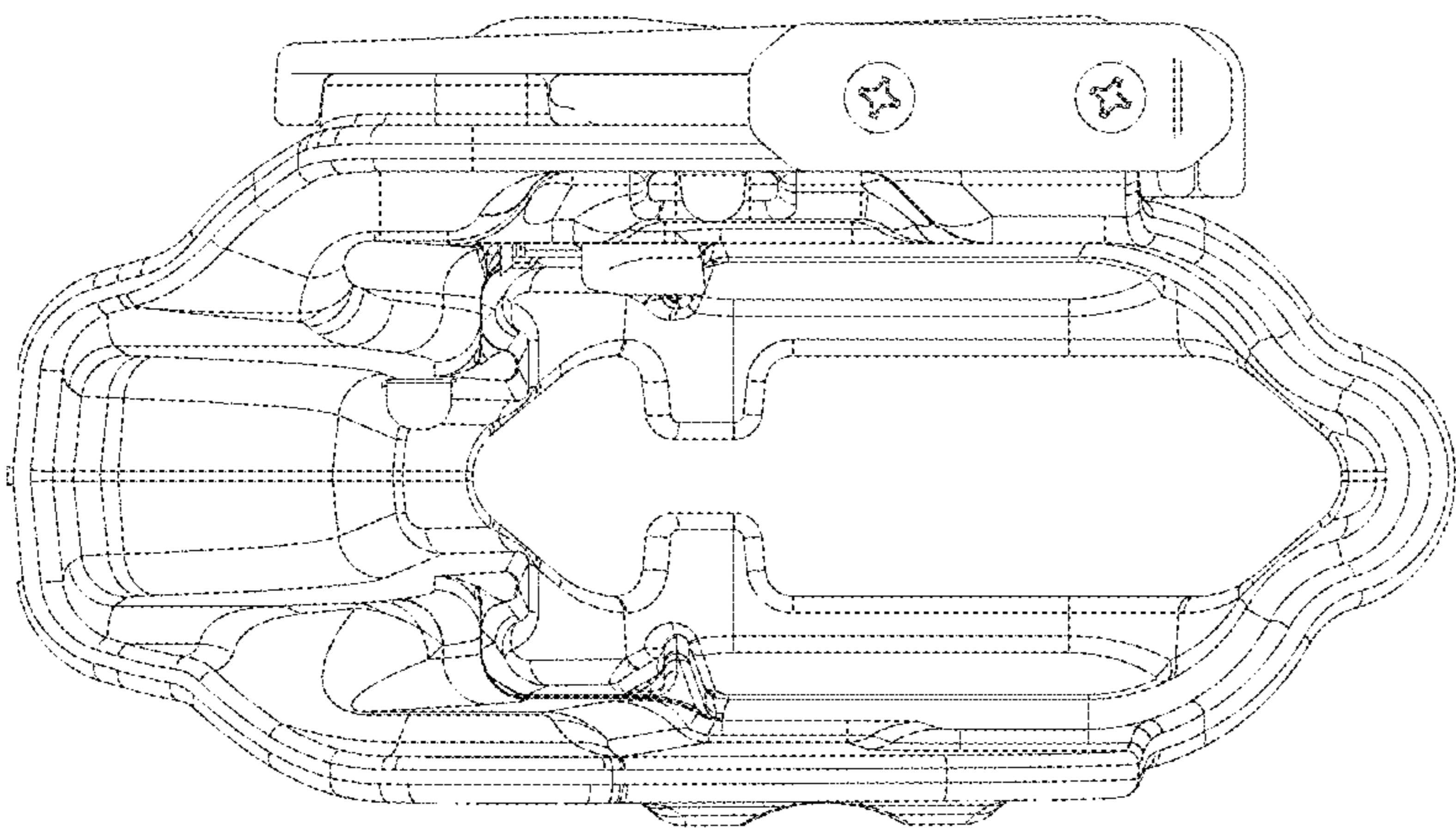


FIG. 8