



US00D801040S

(12) **United States Design Patent**
Peng

(10) **Patent No.:** **US D801,040 S**

(45) **Date of Patent:** **** Oct. 31, 2017**

- (54) **FOLDABLE BACKPACK**
- (71) Applicant: **Dongmiao Peng**, Fujian (CN)
- (72) Inventor: **Dongmiao Peng**, Fujian (CN)
- (**) Term: **15 Years**
- (21) Appl. No.: **29/553,720**
- (22) Filed: **Feb. 4, 2016**
- (51) **LOC (10) Cl.** **03-01**
- (52) **U.S. Cl.**
USPC **D3/217**
- (58) **Field of Classification Search**
USPC D3/201, 213–219, 221, 224, 225, 229,
D3/230, 232, 243–246, 254, 318, 257,
D3/271.9; D6/632
CPC .. A45C 3/08; A45C 3/06; A45C 13/08; A45C
13/02; A45C 7/0086; A45C 3/00; A45C
13/26; A45C 11/02; A45F 3/04; A45F
3/02; A45F 3/042; A45F 4/02; A45F
2003/003; A45F 2003/142; A45F 3/00;
A45F 3/005; A45F 3/14; A45F 4/08;
Y10S 224/919; Y10S 383/907; Y10S
190/903; A63B 47/00; B42F 5/005
See application file for complete search history.

- (56) **References Cited**
U.S. PATENT DOCUMENTS
D252,173 S * 6/1979 Woods D3/229
4,838,709 A * 6/1989 Guerriero A45C 3/00
150/107
D319,145 S * 8/1991 Goude D3/217
D355,757 S * 2/1995 Pollack D3/216

6,012,575 A *	1/2000	Eskandry	B60R 7/088	206/308.1
D441,525 S *	5/2001	Vazquez	D3/226	
D467,729 S *	12/2002	Vazquez	D3/238	
D473,050 S *	4/2003	Vazquez	D3/238	
D478,240 S *	8/2003	Tung	D3/270	
D484,731 S *	1/2004	Tung	D3/270	
D539,034 S *	3/2007	Friedman	D3/271.9	
D573,794 S *	7/2008	Izen	D3/302	
D677,884 S *	3/2013	Shyr	D3/234	
D681,936 S *	5/2013	Basas	D3/203.2	
D745,277 S *	12/2015	Kraft	D3/254	
D747,873 S *	1/2016	Peng	D3/234	
D767,986 S *	10/2016	Epstein	D3/289	

* cited by examiner

Primary Examiner — George D Kirschbaum

Assistant Examiner — Jennifer Watkins

(74) *Attorney, Agent, or Firm* — Leong C. Lei

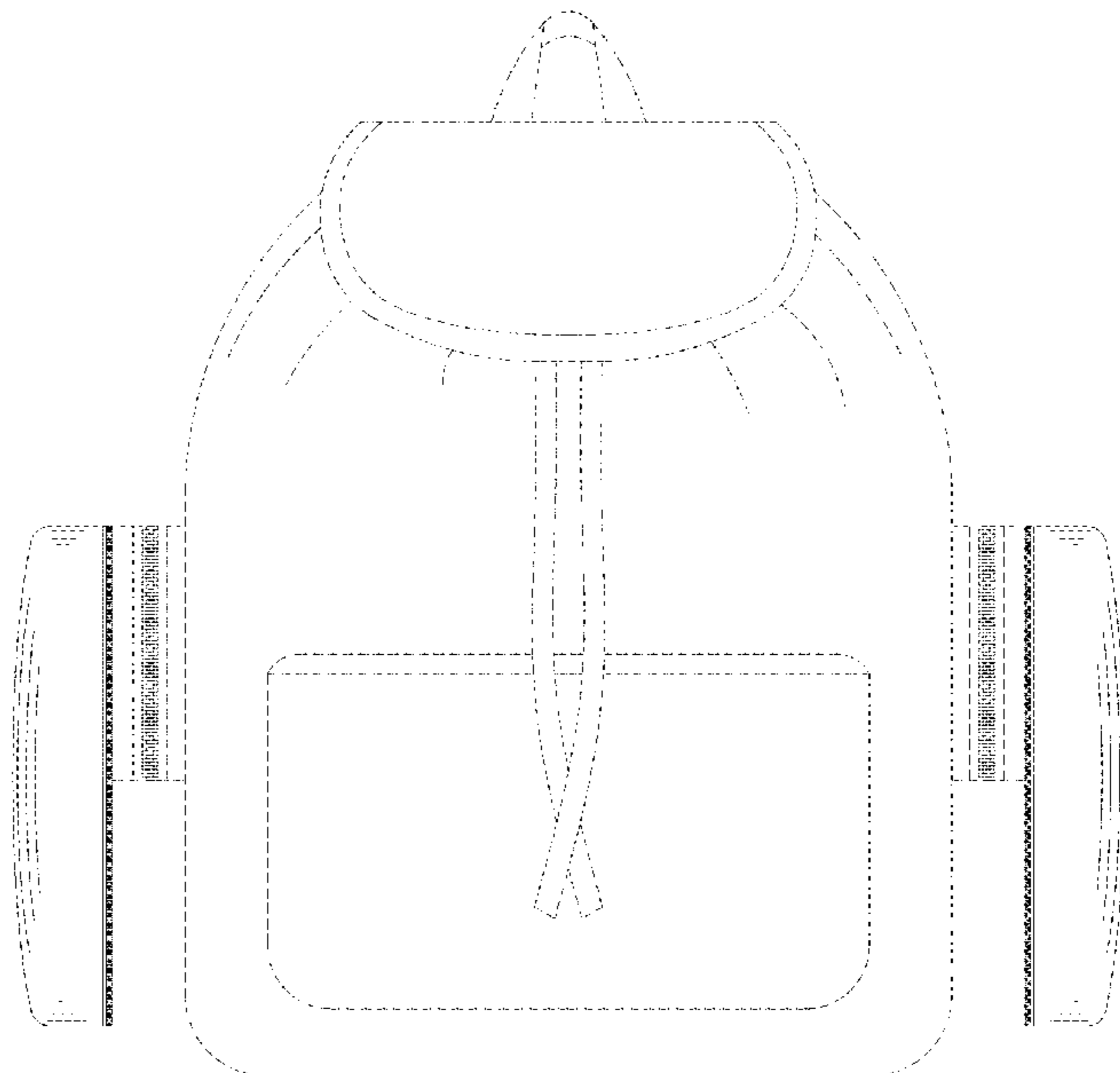
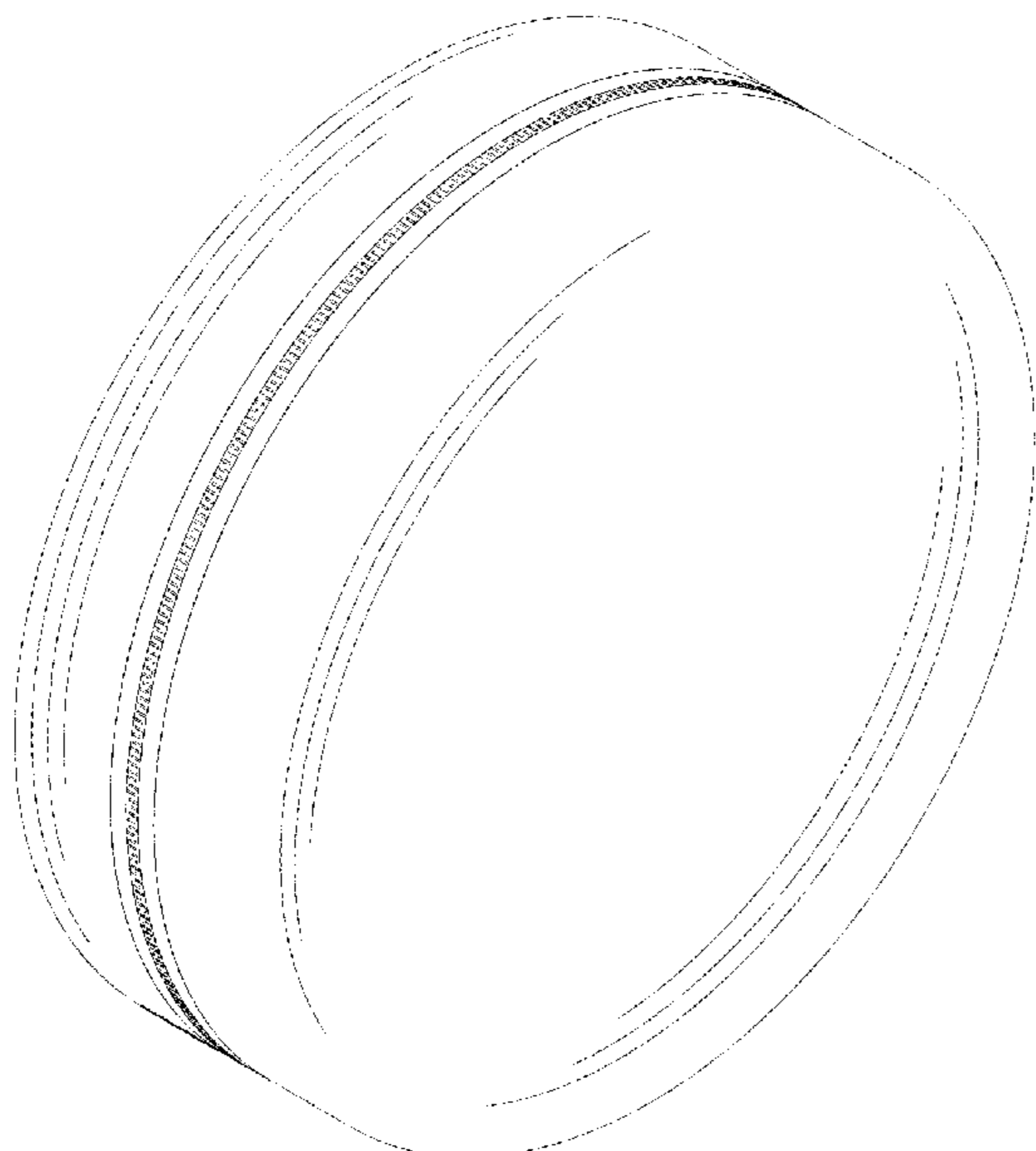
(57) **CLAIM**

The ornamental design for a foldable backpack, as shown and described.

DESCRIPTION

FIG. 1 is a perspective view of a foldable backpack showing my present design in a folded and closed position;
 FIG. 2 is a front view thereof;
 FIG. 3 is a rear view thereof;
 FIG. 4 is a left side view thereof;
 FIG. 5 is a right side view thereof;
 FIG. 6 is a top view thereof;
 FIG. 7 is a bottom view thereof; and,
 FIG. 8 is a side view thereof in an alternative, open position.
 The broken lines illustrate portions of the foldable backpack and form no part of the claimed design.

1 Claim, 8 Drawing Sheets



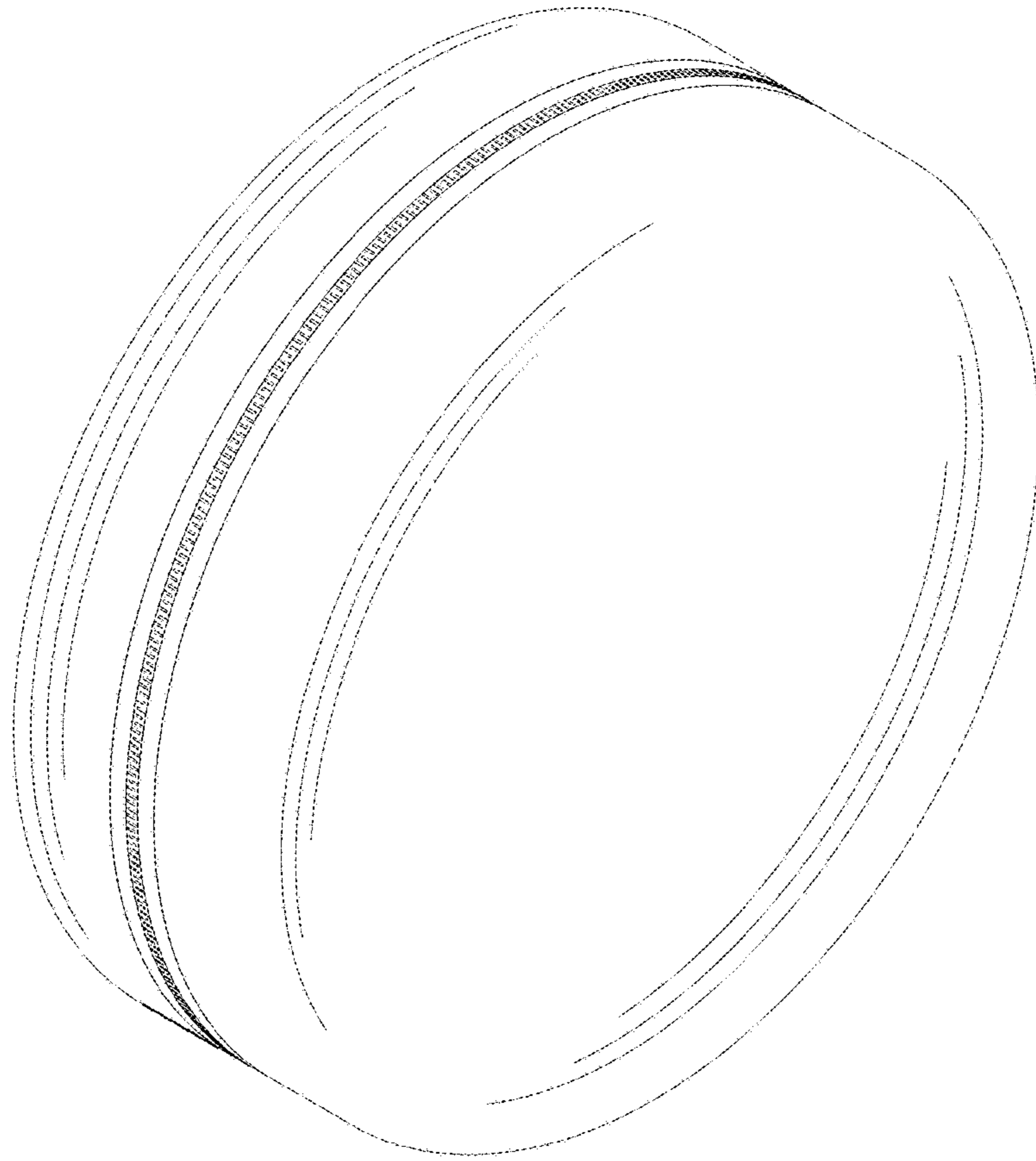


FIG. 1

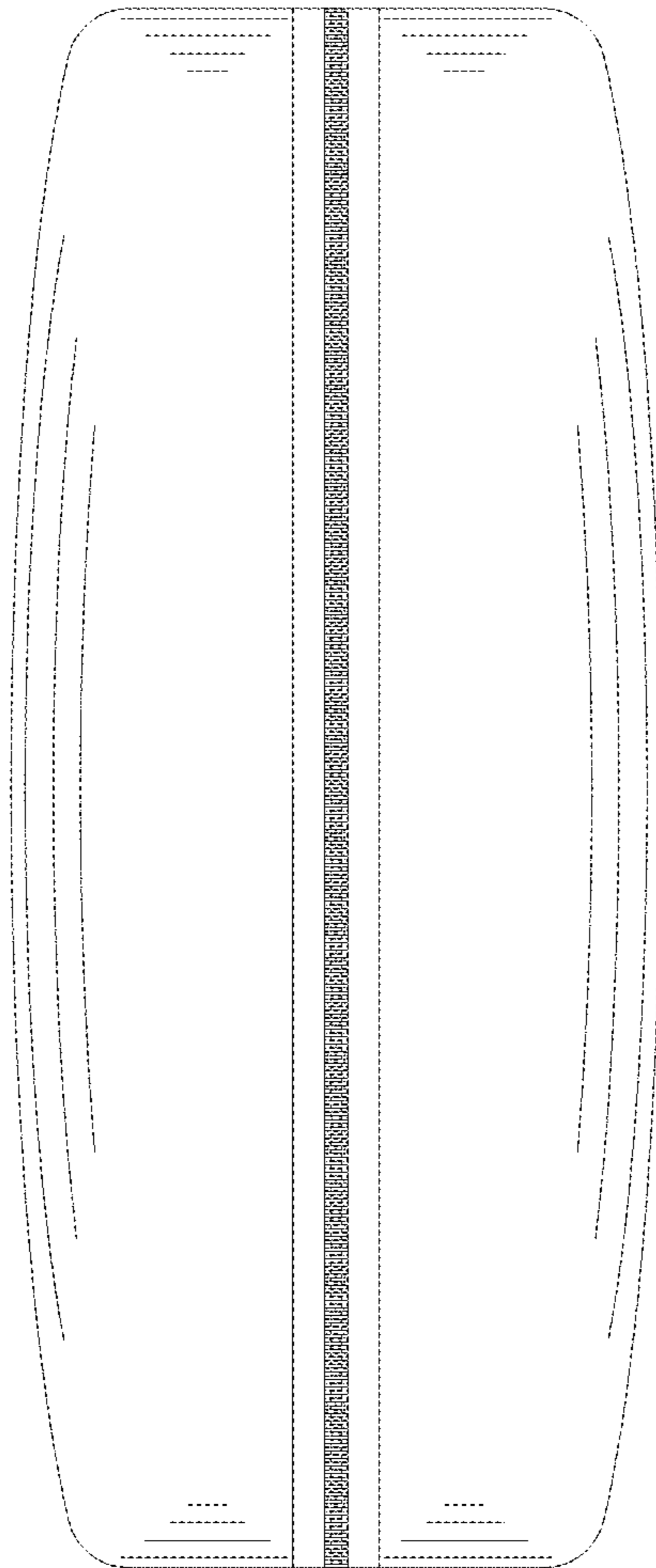


FIG. 2

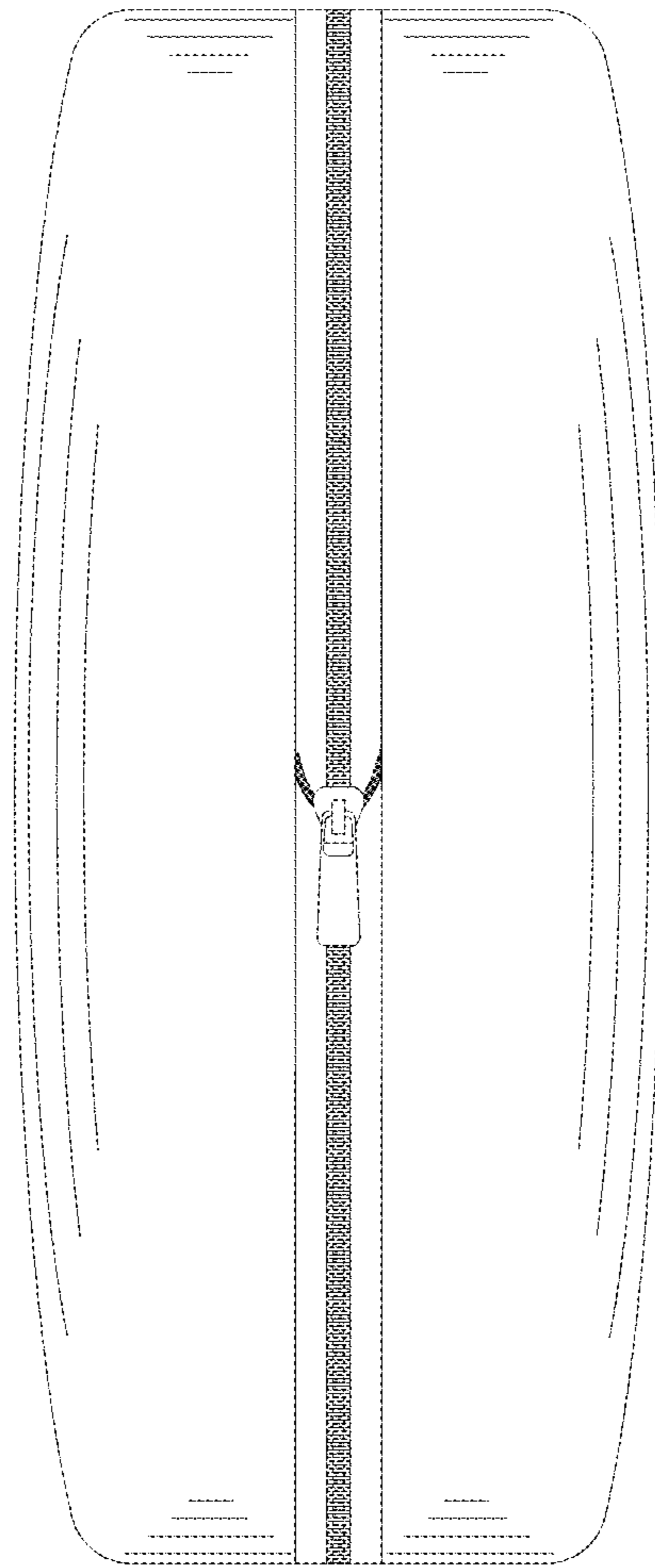


FIG. 3

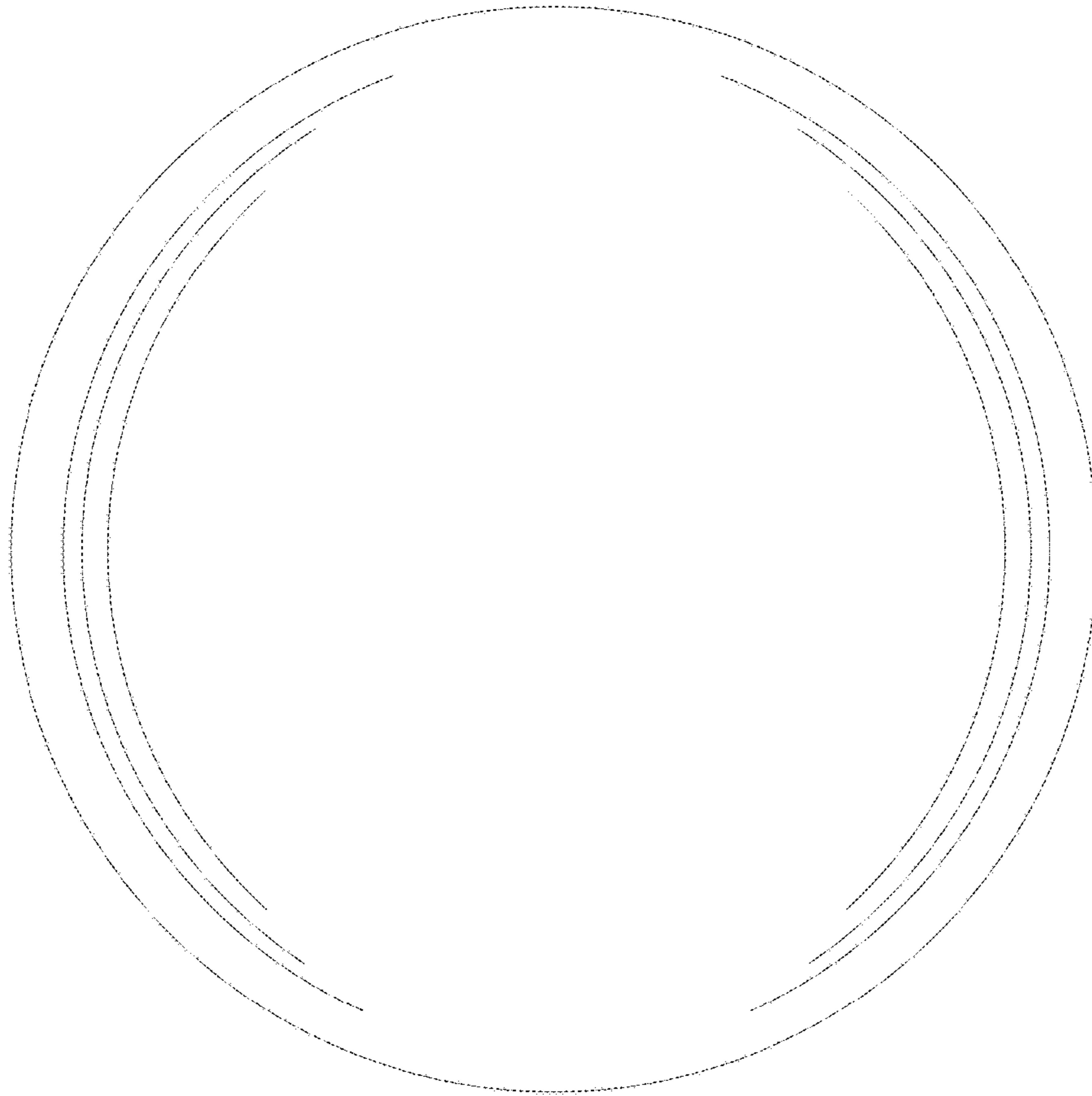


FIG. 4

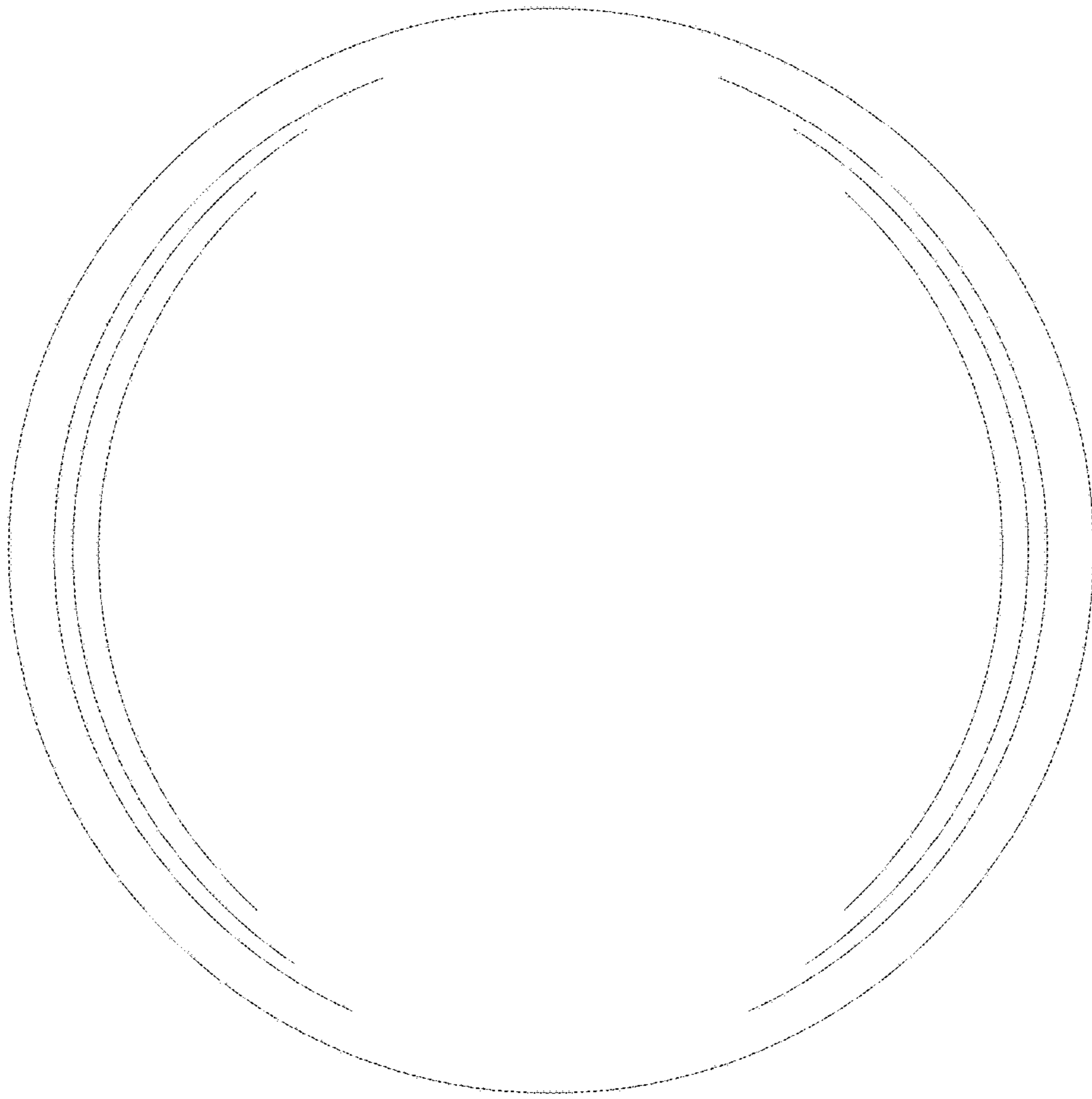


FIG. 5

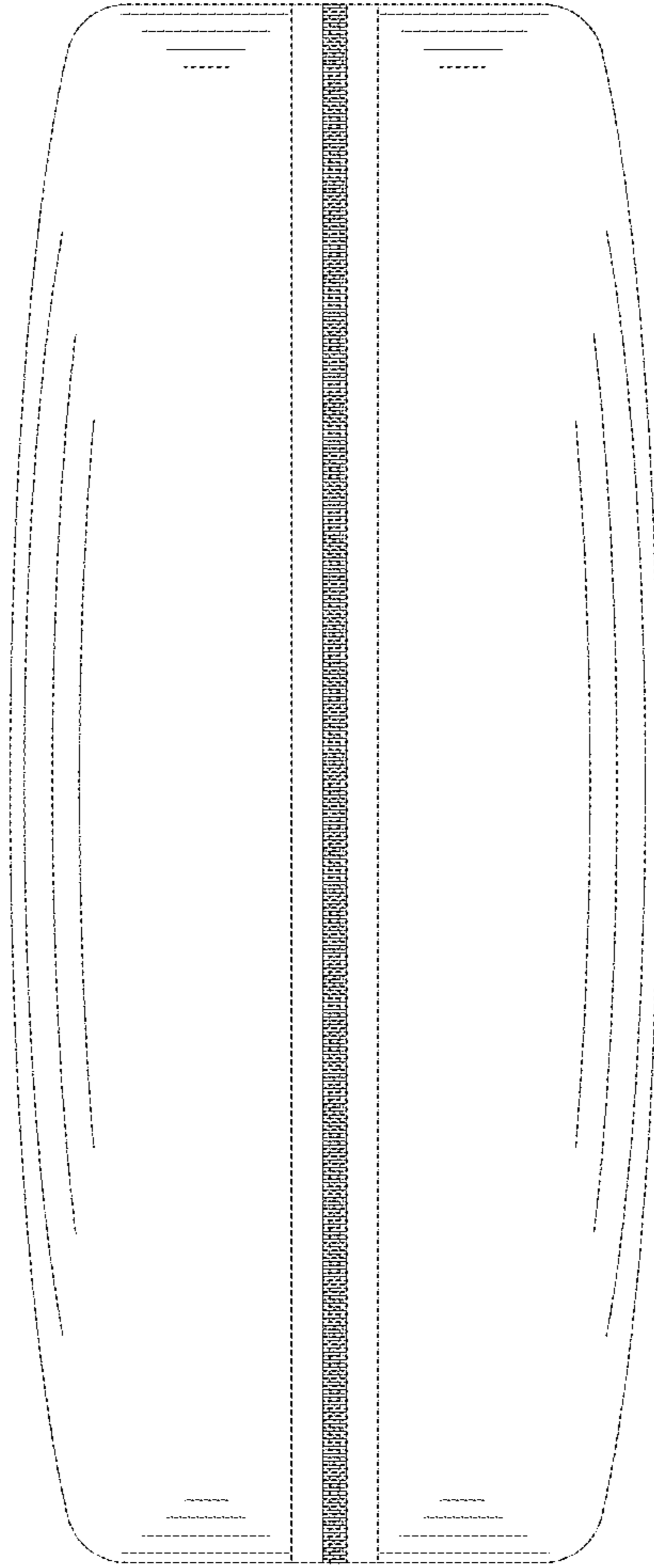


FIG. 6

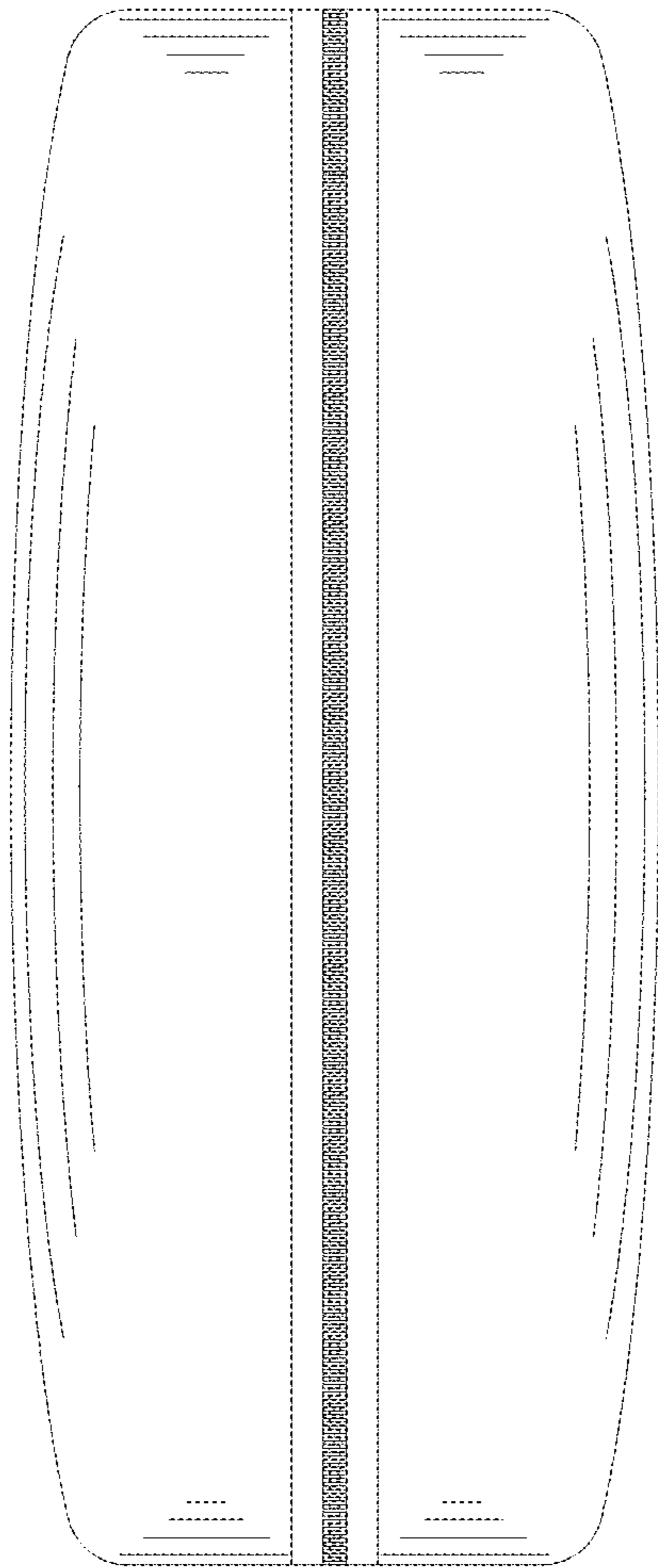


FIG. 7

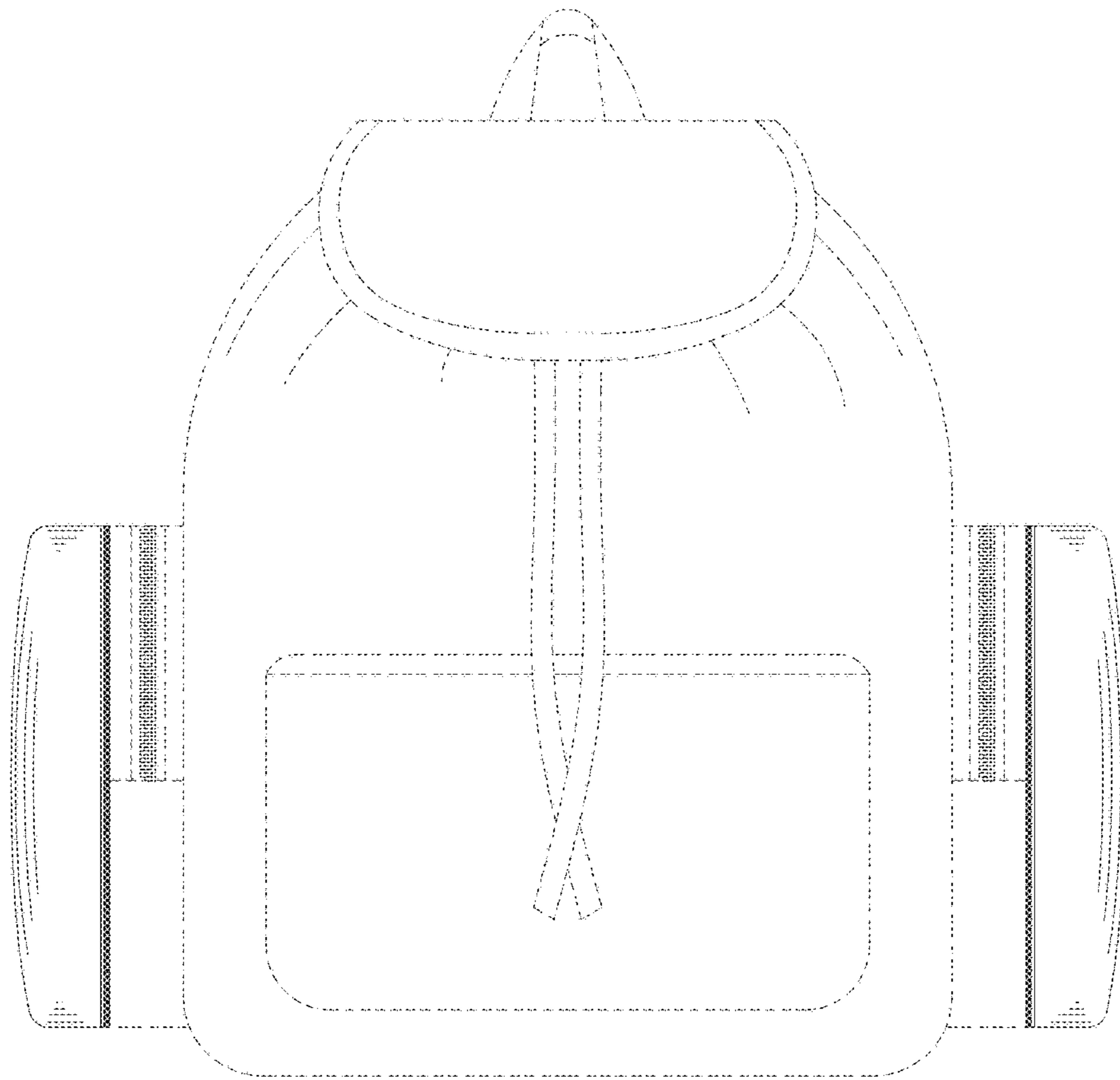


FIG. 8