



US00D801020S

(12) **United States Design Patent** (10) **Patent No.:** **US D801,020 S**
Garbolinski et al. (45) **Date of Patent:** **** Oct. 31, 2017**

(54) **INSOLE**

(71) Applicants: **Marek Garbolinski**, Karczew (PL);
Piotr Gadomski, Warsaw (PL)

(72) Inventors: **Marek Garbolinski**, Karczew (PL);
Piotr Gadomski, Warsaw (PL)

(**) Term: **15 Years**

(21) Appl. No.: **29/539,531**

(22) Filed: **Sep. 15, 2015**

(30) **Foreign Application Priority Data**

May 4, 2015 (EM) 002694224

(51) **LOC (10) Cl.** **02-04**

(52) **U.S. Cl.**
USPC **D2/961**

(58) **Field of Classification Search**
USPC D2/896, 946, 947, 950, 961, 968; 36/83,
36/88, 89, 91, 92, 93, 25 R, 28, 29, 30 R,
(Continued)

(56) **References Cited**

U.S. PATENT DOCUMENTS

1,932,658 A * 10/1933 Goodfriend A43B 3/0078
101/27
2,211,057 A * 8/1940 Duckoff A43B 13/141
36/103

(Continued)

Primary Examiner — Elizabeth J Oswecki

(74) *Attorney, Agent, or Firm* — Myers Wolin, LLC

(57) **CLAIM**

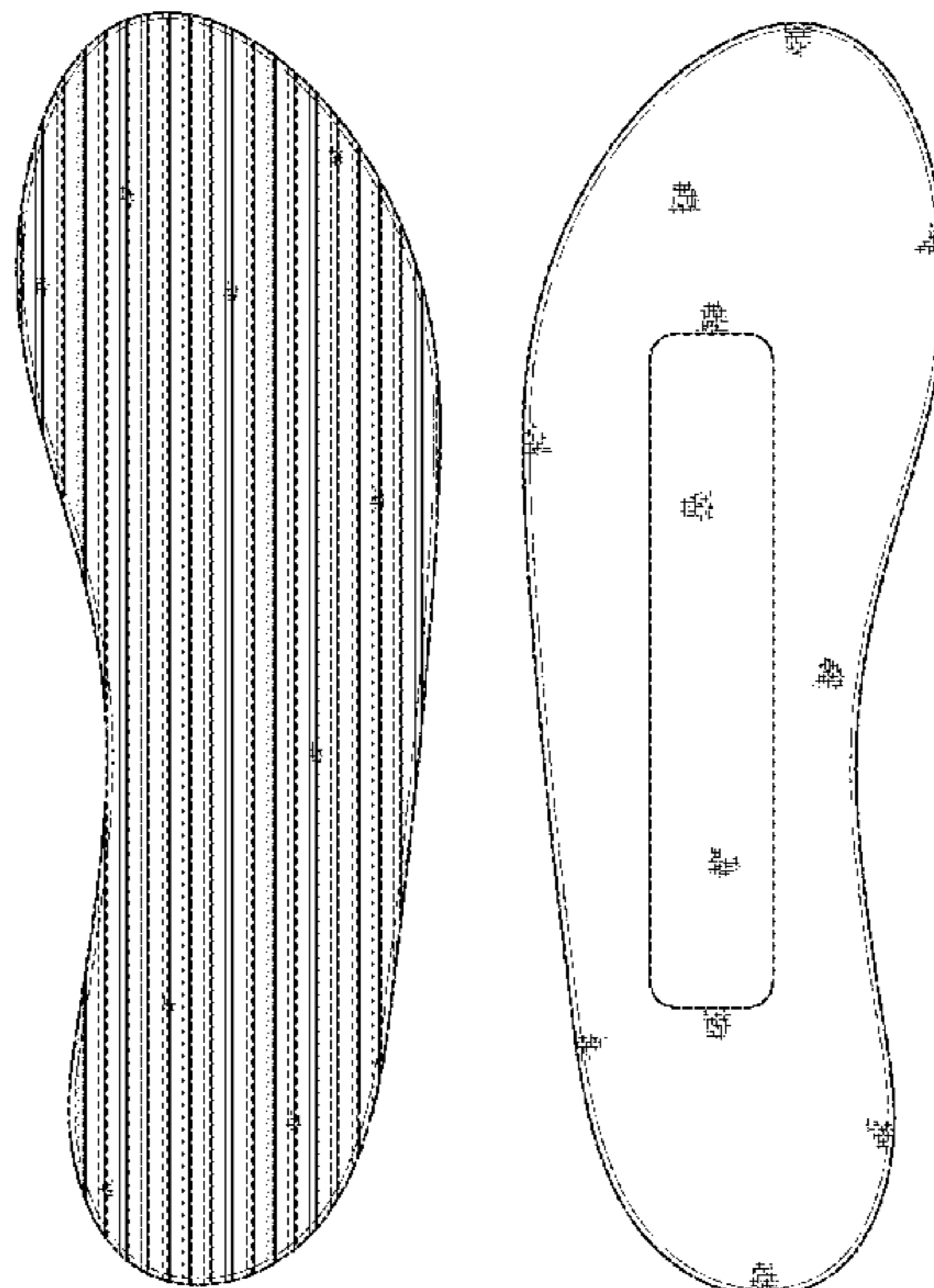
The ornamental design for an insole, as shown and described.

DESCRIPTION

FIG. 1 is a front elevation view of a first embodiment of an insole, showing our new design;

FIG. 2 is a left side elevation view thereof;
FIG. 3 is a right side elevation view thereof;
FIG. 4 is a rear elevation view thereof;
FIG. 5 is a top plan view thereof;
FIG. 6 is a bottom plan view thereof;
FIG. 7 is a rear perspective view thereof;
FIG. 8 is a front elevation view of a second embodiment of an insole, showing our new design;
FIG. 9 is a left side elevation view thereof;
FIG. 10 is a right side elevation view thereof;
FIG. 11 is a rear elevation view thereof;
FIG. 12 is a top plan view thereof;
FIG. 13 is a bottom plan view thereof;
FIG. 14 is a rear perspective view thereof;
FIG. 15 is a front elevation view of a third embodiment of an insole, showing our new design;
FIG. 16 is a left side elevation view thereof;
FIG. 17 is a right side elevation view thereof;
FIG. 18 is a rear elevation view thereof;
FIG. 19 is a top plan view thereof;
FIG. 20 is a bottom plan view thereof;
FIG. 21 is a rear perspective view thereof;
FIG. 22 is a front elevation view of a fourth embodiment of an insole, showing our new design;
FIG. 23 is a left side elevation view thereof;
FIG. 24 is a right side elevation view thereof;
FIG. 25 is a rear elevation view thereof;
FIG. 26 is a top plan view thereof;
FIG. 27 is a bottom plan view thereof;
FIG. 28 is a rear perspective view thereof;
FIG. 29 is FIG. 28 shown in a used condition with a foot pad shown in broken lines being inserted into an insole; and,
FIG. 30 is FIG. 28 shown in a used condition with a foot pad shown in broken lines inserted into an insole.
The broken lines shown in the drawings of a foot pad in FIGS. 29 and 30 form no part of the claimed design.

1 Claim, 9 Drawing Sheets



(58) **Field of Classification Search**

USPC 36/30 A, 32 R, 34 R, 35 R, 34 A, 43, 44,
 36/145, 153, 154, 155; D24/124, 126
 CPC A43B 7/14; A43B 7/1405; A43B 7/141;
 A43B 7/1415; A43B 7/142; A43B
 7/1425; A43B 7/143; A43B 7/1435; A43B
 7/144; A43B 7/145; A43B 7/1455; A43B
 7/146; A43B 7/1465; A43B 7/1475; A43B
 7/148; A43B 7/1485; A43B 7/149; A43B
 7/28; A43B 7/30; A43B 7/32; A43B
 13/00; A43B 13/02; A43B 13/04; A43B
 13/14; A43B 13/141; A43B 13/40; A43B
 13/38; A43B 9/00; A43B 9/125; A43B
 17/00; A43B 17/003; A43B 17/006; A43B
 17/026; A43B 17/03; A43B 17/02; A43B
 17/14

See application file for complete search history.

(56) **References Cited**

U.S. PATENT DOCUMENTS

3,475,836 A * 11/1969 Brahm A43B 17/08
 36/3 B

3,624,930 A * 12/1971 Johnson et al. A43B 17/08
 36/3 B
 D328,967 S * 9/1992 Brown D2/961
 D329,129 S * 9/1992 Brown D2/961
 D332,003 S * 12/1992 Brown D2/961
 D389,296 S * 1/1998 Sessa D2/961
 D389,996 S * 2/1998 Sessa D2/961
 D425,690 S * 5/2000 Bray D2/947
 D475,513 S * 6/2003 Reynolds D2/946
 D496,780 S * 10/2004 Matuke D2/961
 D505,537 S * 5/2005 Friedman D2/961
 D509,951 S * 9/2005 Johnson D2/961
 D533,336 S * 12/2006 Walker D2/961
 D545,532 S * 7/2007 Sawtelle D2/947
 D552,839 S * 10/2007 Le D2/946
 D556,990 S * 12/2007 Cabados D2/961
 D580,639 S * 11/2008 Wurzburg D2/946
 D640,046 S * 6/2011 Claassen D2/953
 D663,511 S * 7/2012 Martinez D2/917
 D723,255 S * 3/2015 Nogueira D2/961
 D746,033 S * 12/2015 Cherneski D2/961
 D789,666 S * 6/2017 Crewdson D2/961
 D789,667 S * 6/2017 Crewdson D2/961

* cited by examiner

FIG. 5



FIG. 2

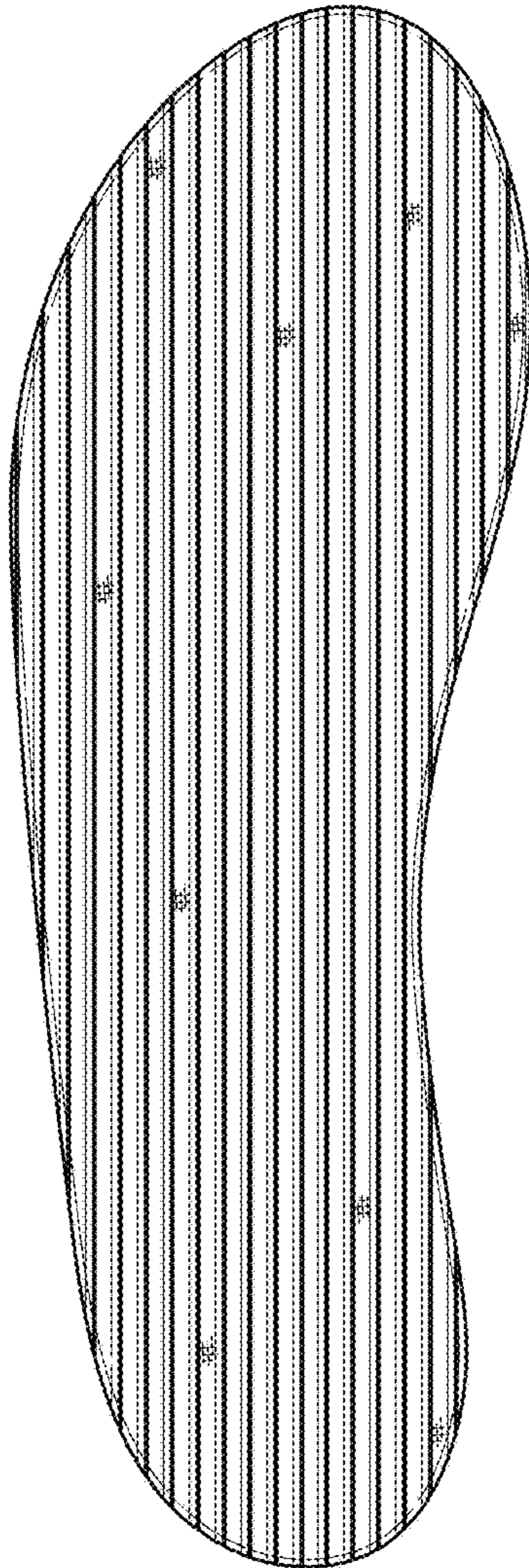


FIG. 1



FIG. 3

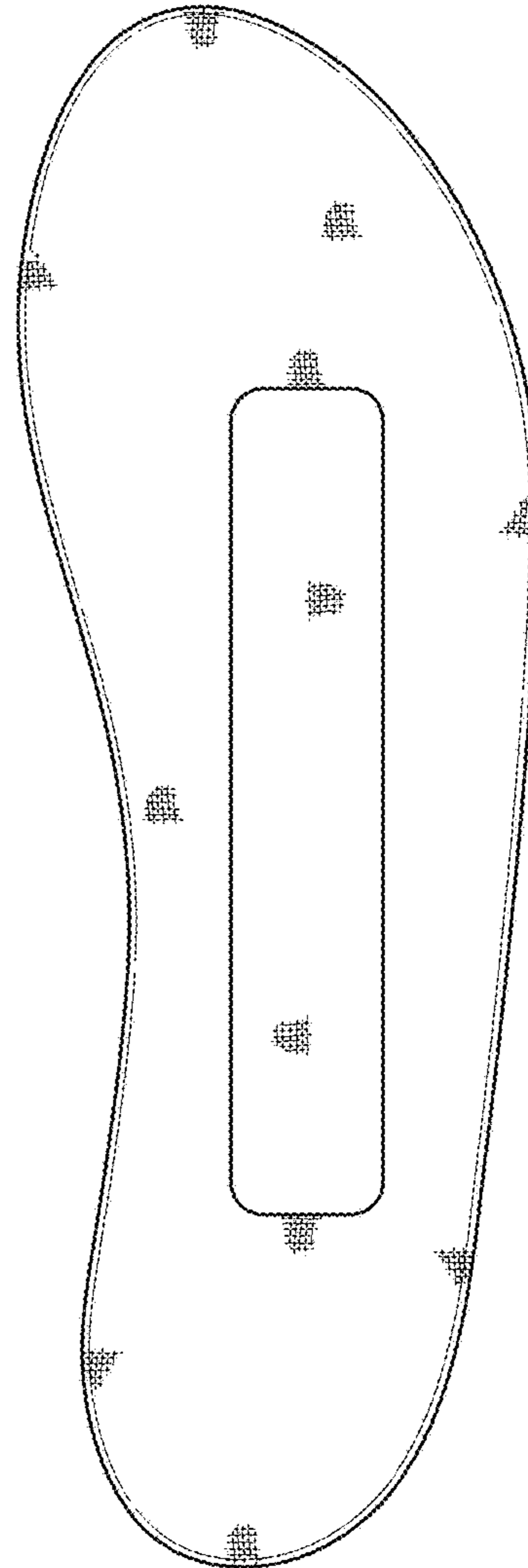


FIG. 4

FIG. 6

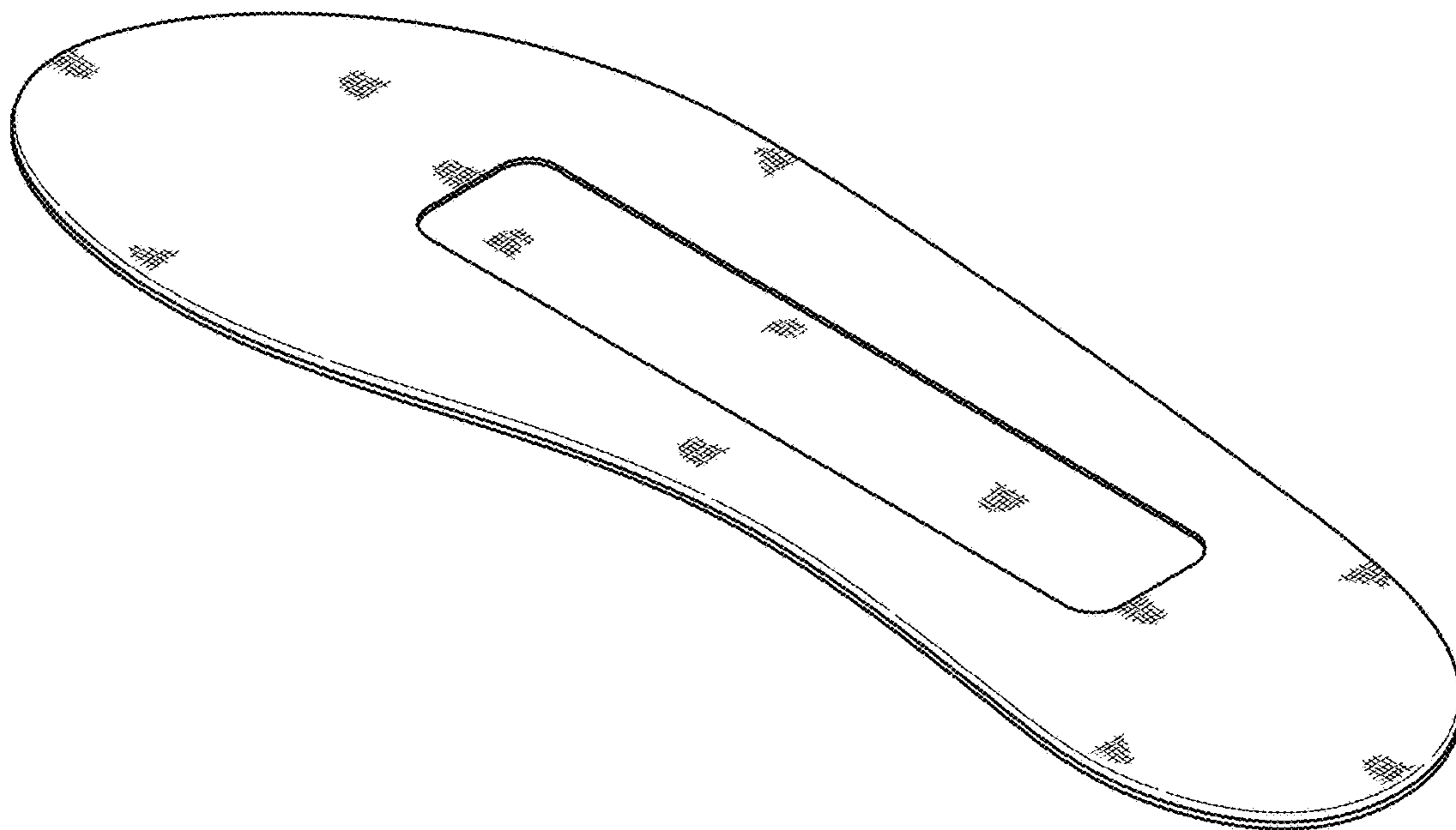


FIG. 7

FIG. 12



FIG. 9

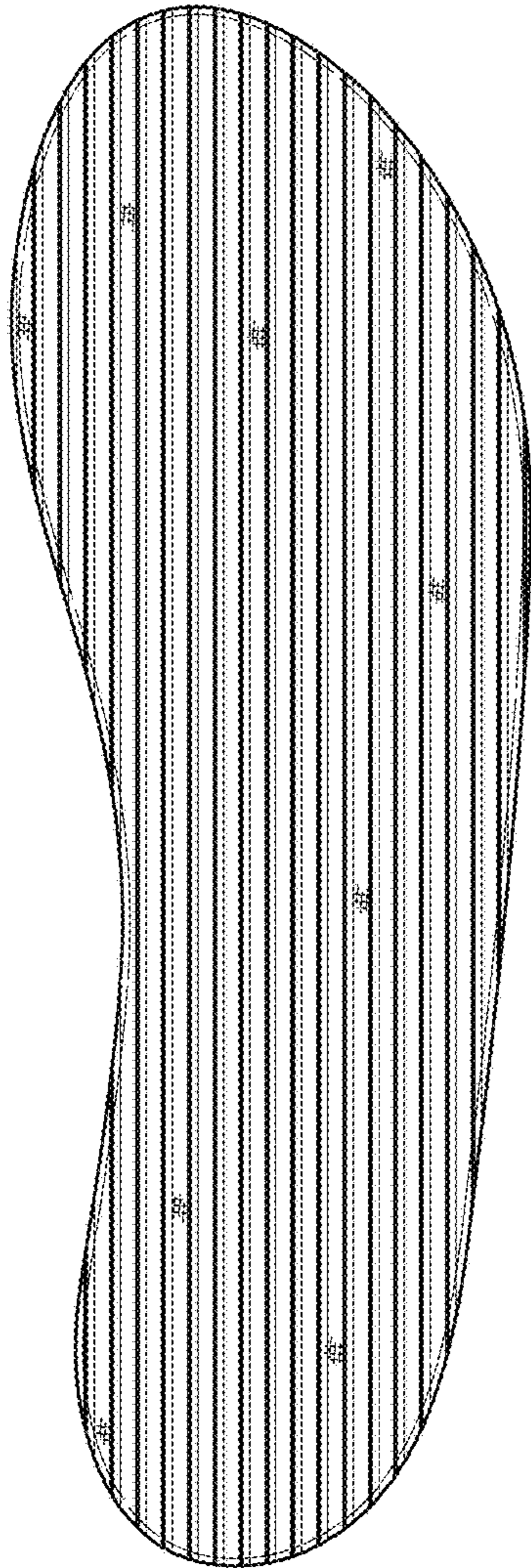


FIG. 8



FIG. 10

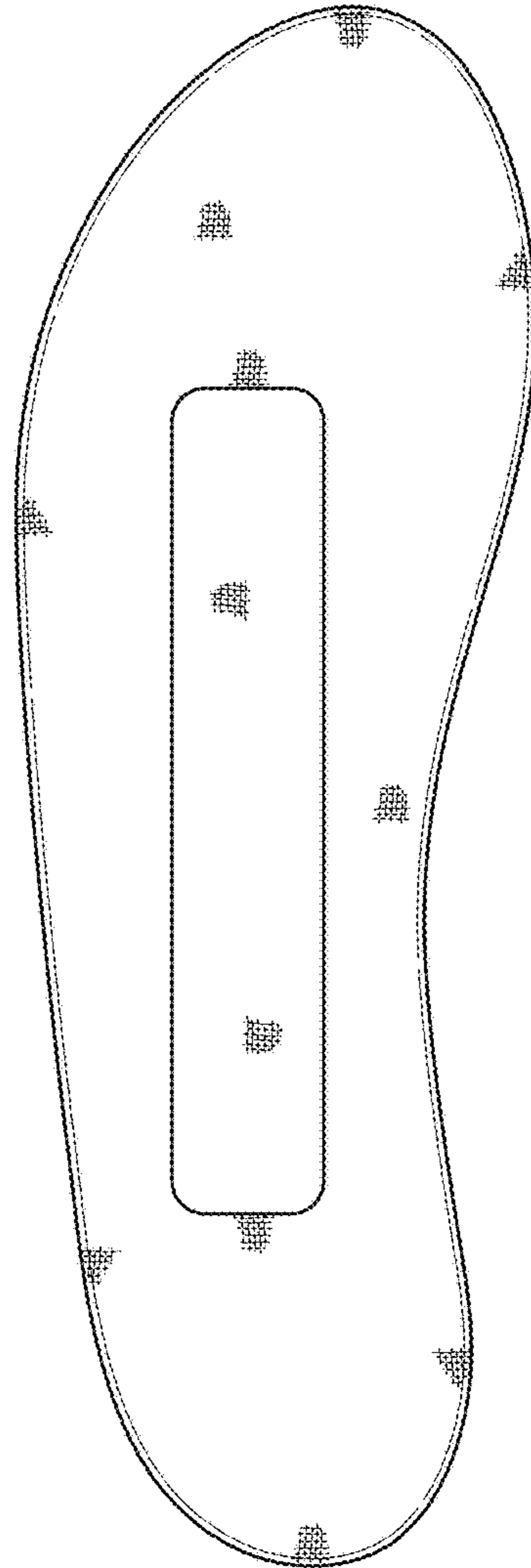


FIG. 11

FIG. 13

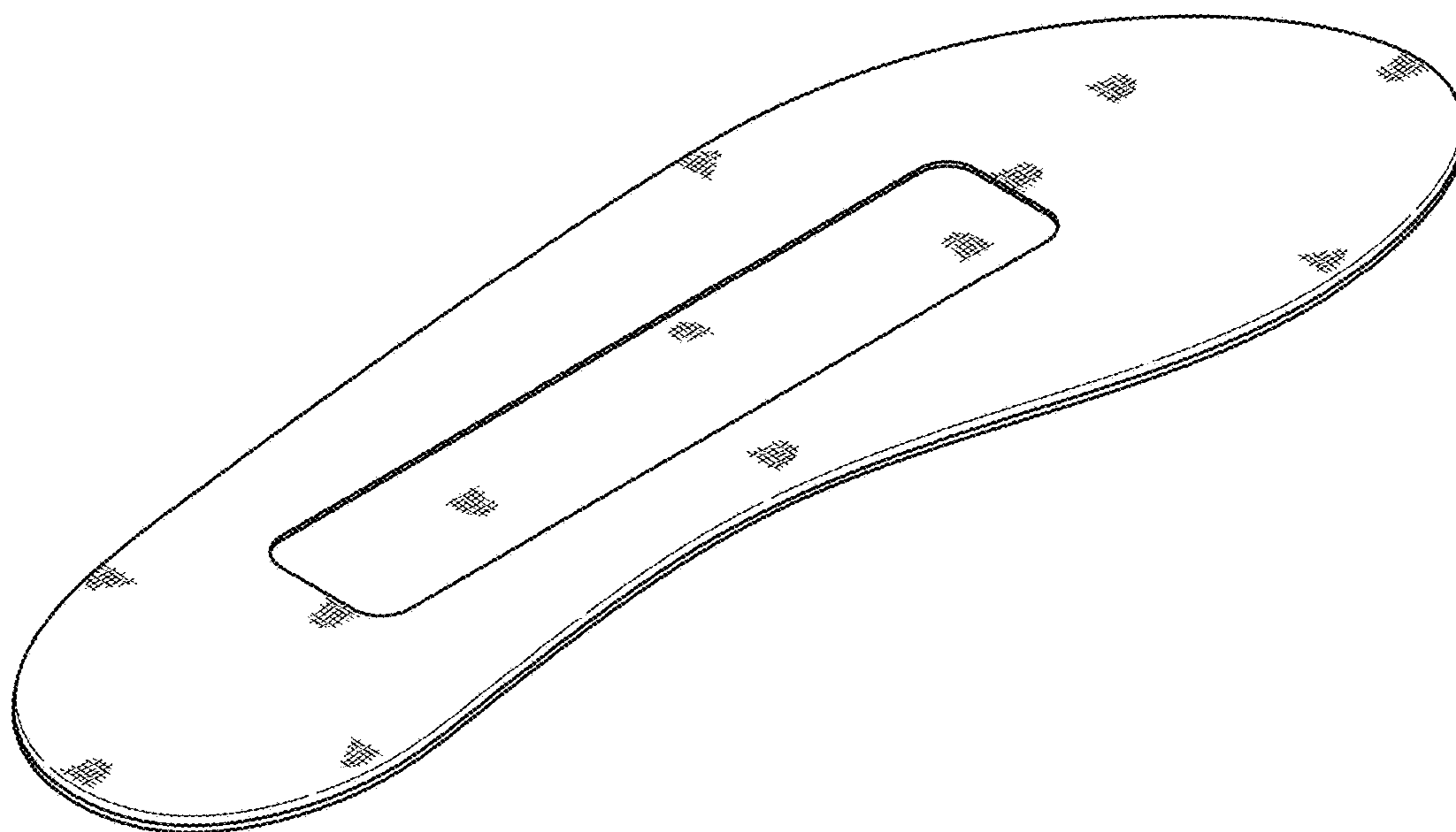
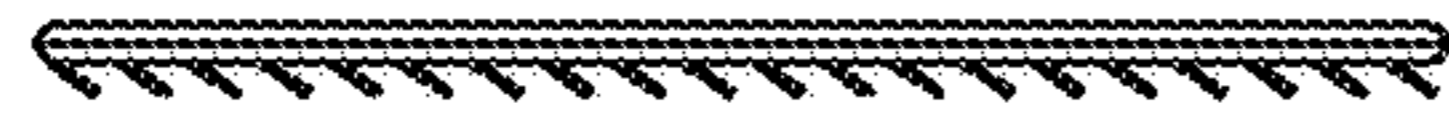


FIG. 14


FIG. 19

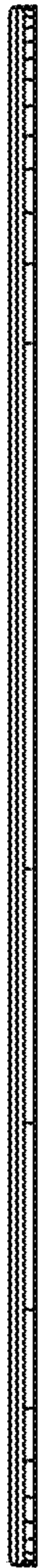


FIG. 16

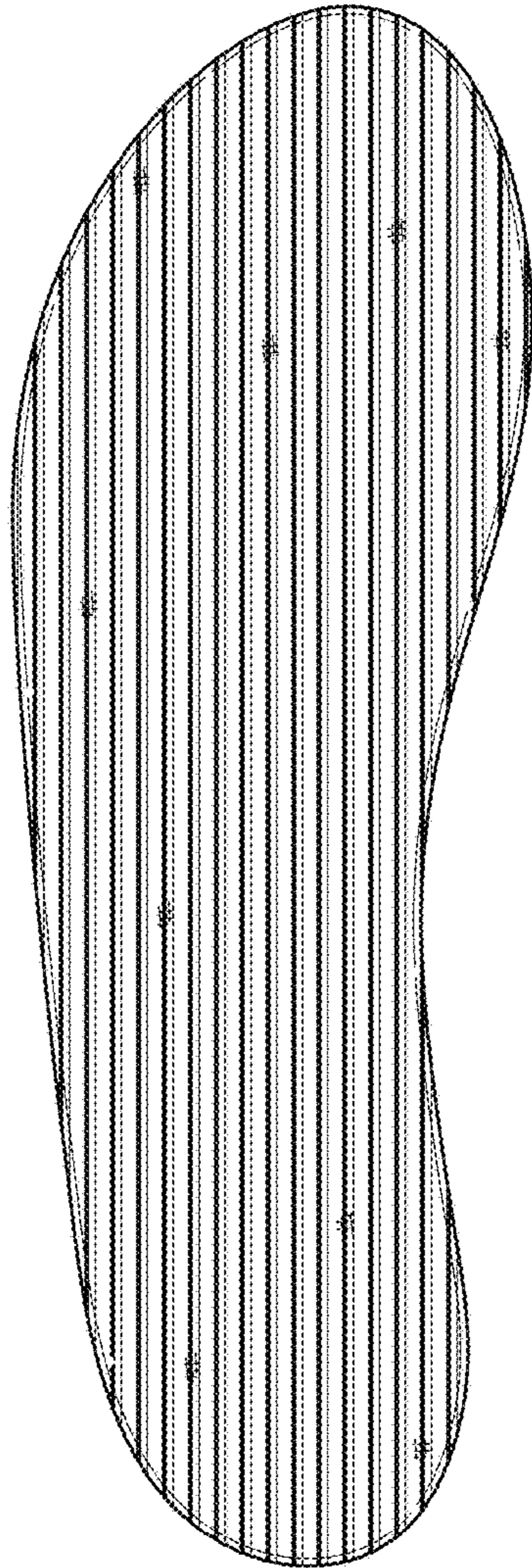


FIG. 15



FIG. 17

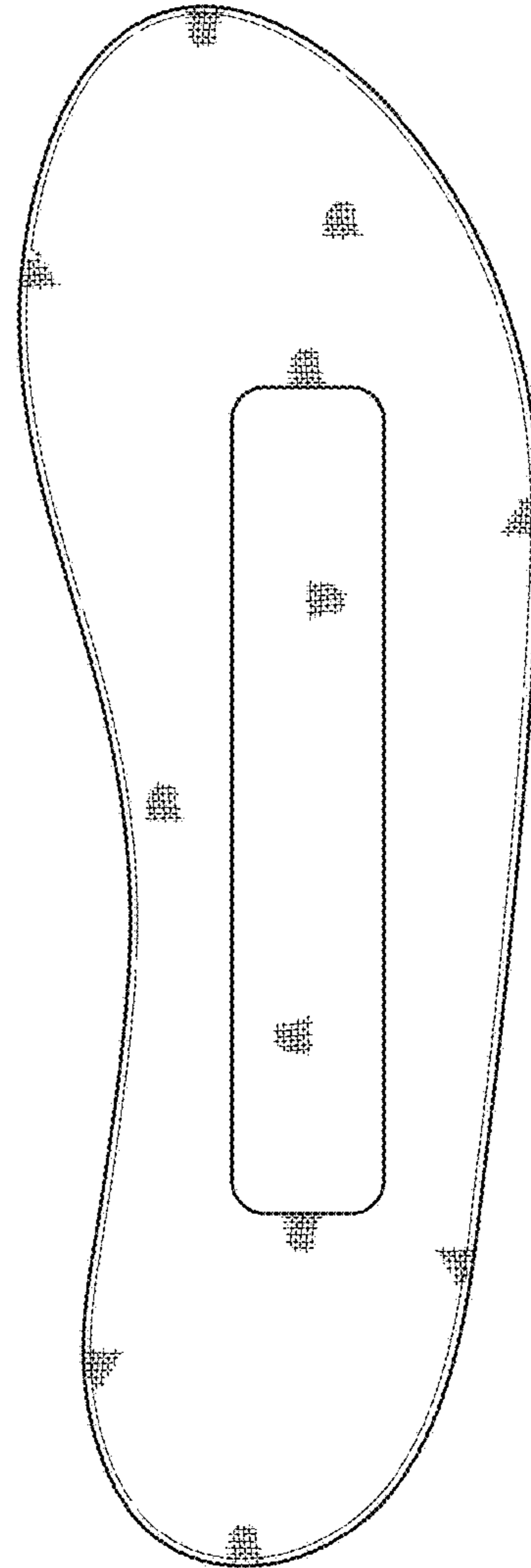


FIG. 18


FIG. 20

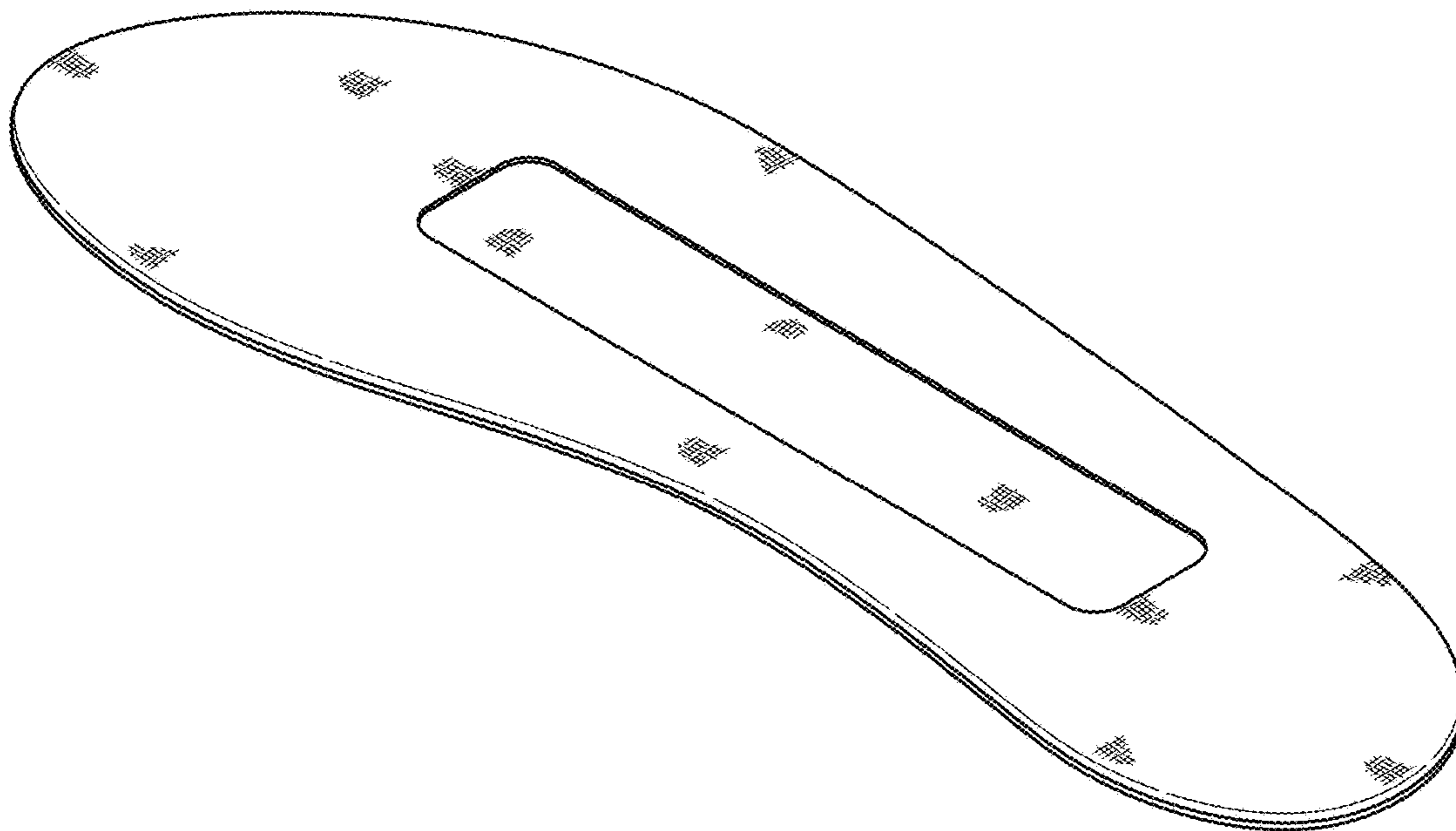


FIG. 21

FIG. 26



FIG. 23

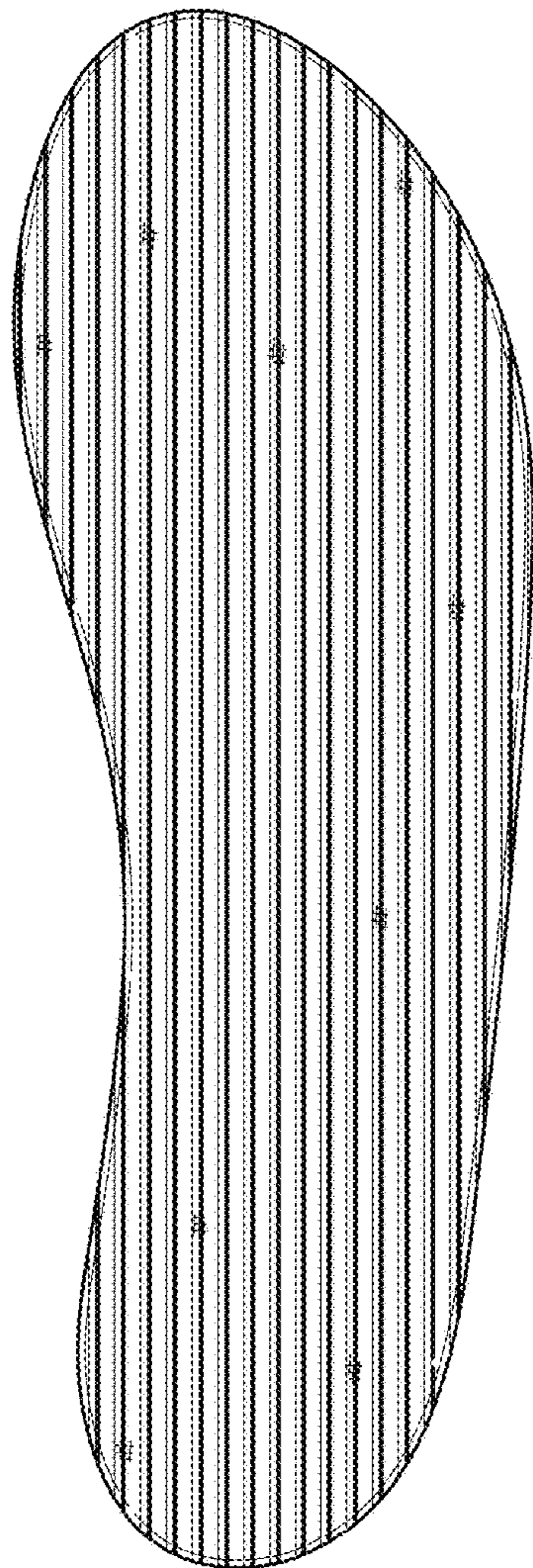


FIG. 22



FIG. 24

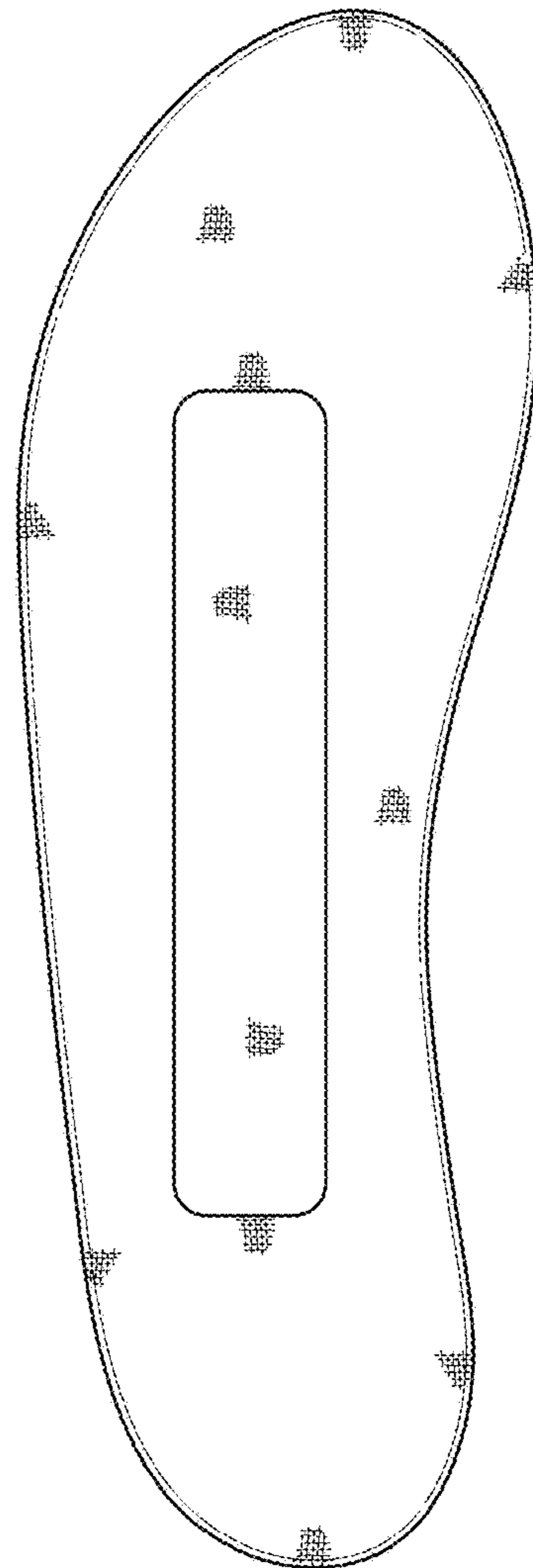


FIG. 25

FIG. 27

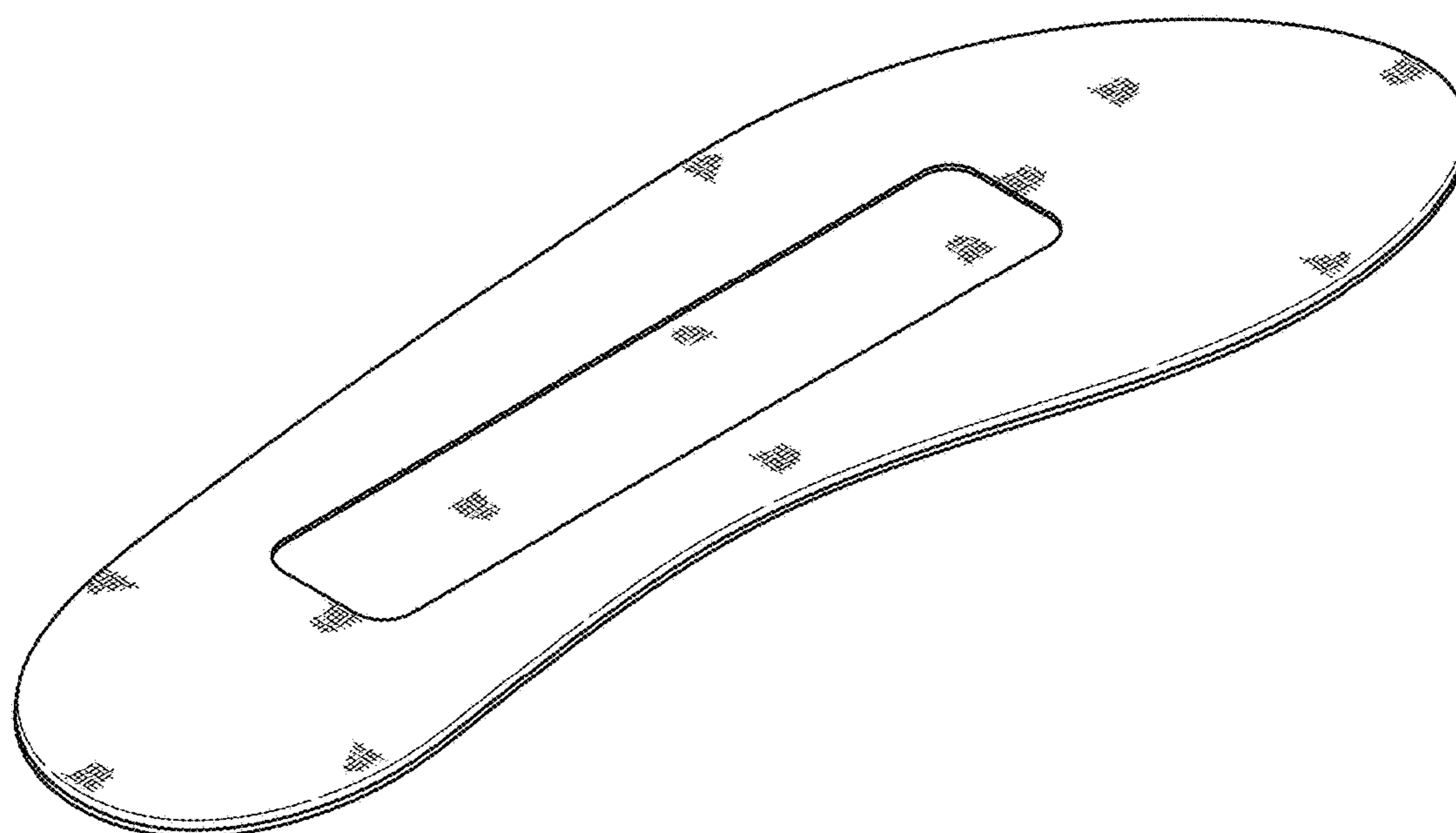


FIG. 28

