



US00D800990S

(12) **United States Design Patent** (10) **Patent No.:** **US D800,990 S**
Clements et al. (45) **Date of Patent:** **** Oct. 31, 2017**

(54) **SHAPED TORTILLA**

(71) Applicant: **General Mills, Inc.**, Minneapolis, MN (US)

(72) Inventors: **Robert G Clements**, Plymouth, MN (US); **Shivakumar Elayedath**, Eden Prairie, MN (US); **Amy R Fleury**, Arden Hills, MN (US); **Zachary Harder**, Crystal, MN (US)

(73) Assignee: **General Mills, Inc.**, Minneapolis, MN (US)

(**) Term: **15 Years**

(21) Appl. No.: **29/541,102**

(22) Filed: **Sep. 30, 2015**

Related U.S. Application Data

(62) Division of application No. 29/476,449, filed on Dec. 13, 2013.

(51) **LOC (10) Cl.** **01-01**

(52) **U.S. Cl.**
USPC **D1/123; D1/125**

(58) **Field of Classification Search**
USPC D1/100-130, 199; D7/504, 509, 510, D7/523, 524, 555, 566, 568, 584-587, D7/602, 672, 300.1, 629, 653, 654, 667, D7/400, 359, 388, 409; D21/386; D19/91; 426/92, 94, 95, 99, 101, 426/138-139, 143, 279, 282, 283, 391, 426/514; D11/146, 151, 154, 164; D14/480.5, 484.1; D28/41; D25/38.1, D25/100, 114, 119, 138, 140, 141; D23/365; 52/312, 560
CPC A21D 13/0029; A21D 13/0074; A21D 13/0022; A21D 13/0006; A23L 1/1641; A23L 1/005

See application file for complete search history.

(56) **References Cited**

U.S. PATENT DOCUMENTS

D17,628 S 8/1887 Carr
D19,696 S 3/1890 Beckstein

(Continued)

FOREIGN PATENT DOCUMENTS

WO WO-2004/037016 5/2004

OTHER PUBLICATIONS

Norpro Nonstick Tortilla Bowl, Amazon. Nov. 13, 2010. Web. Apr. 21, 2015, <<http://www.amazon.com/Norpro-Nonstick-Tortilla-Bowl-Makers/dp/B00005EBH7>>.

(Continued)

Primary Examiner — Garth Rademaker

Assistant Examiner — Katie Stofko

(74) *Attorney, Agent, or Firm* — Rachel A. Kahler; Diederiks & Whitelaw, PLC; John L. Crimmins, Esq.

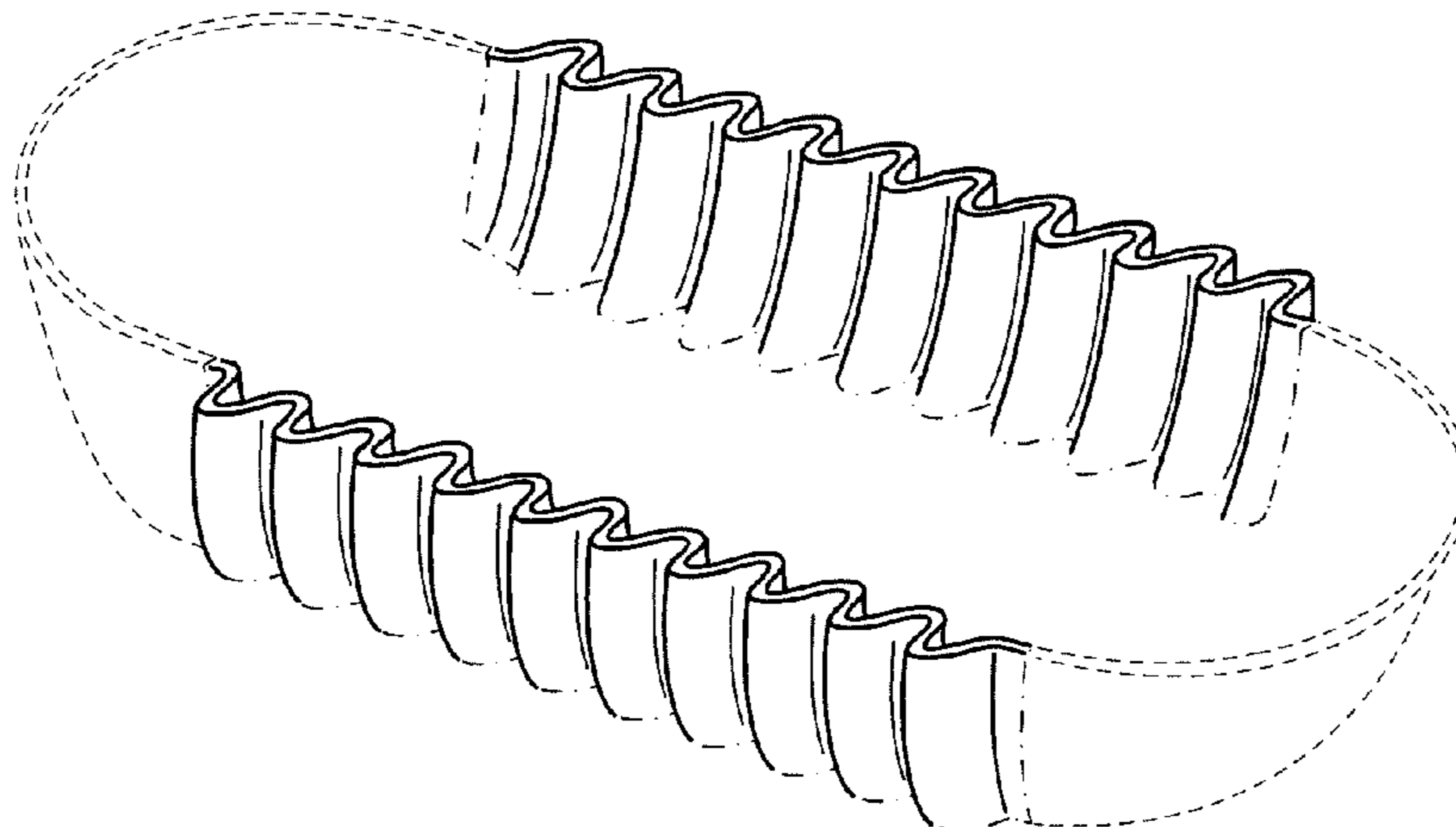
(57) **CLAIM**

The ornamental design for a shaped tortilla, as shown and described.

DESCRIPTION

FIG. 1 is a perspective view of a shaped tortilla according to our design;
FIG. 2 is an end view of the shaped tortilla of FIG. 1;
FIG. 3 is a side view of the shaped tortilla of FIG. 1;
FIG. 4 is a cross-sectional view of the shaped tortilla of FIG. 1, taken along line 4-4 in FIG. 2;
FIG. 5 is a top view of the shaped tortilla of FIG. 1; and, FIG. 6 is a bottom view of the shaped tortilla of FIG. 1.
The evenly-spaced broken lines in FIGS. 1-6 illustrate portions of the shaped tortilla that form no part of the claimed design. The dash-dot-dash broken lines in FIGS. 1-6 illustrate the boundary of the claimed design which forms no part thereof.

1 Claim, 3 Drawing Sheets



(56)

References Cited

U.S. PATENT DOCUMENTS

| | | | | | |
|--------------|---------|------------------------|--------------|---------|---------------------------|
| D31,600 S | 10/1899 | Terry | 4,915,964 A | 4/1990 | Smietana |
| 909,715 A | 1/1909 | Troegeler | 4,919,946 A | 4/1990 | Pak et al. |
| 1,455,009 A | 5/1923 | Schenk | 4,929,458 A | 5/1990 | Smietana |
| D62,515 S | 6/1923 | Wood | D314,887 S | 2/1991 | Tomaras |
| 1,529,670 A | 3/1925 | Pritchard et al. | 5,002,783 A | 3/1991 | Ruiz |
| D67,821 S | 7/1925 | Yohai et al. | 5,009,902 A | 4/1991 | Mercenari |
| 1,552,671 A | 9/1925 | Bellocchio | D316,622 S | 5/1991 | Popiel |
| 1,816,283 A | 7/1931 | Holibaugh | D318,001 S | 7/1991 | Gavin et al. |
| 1,842,576 A | 1/1932 | Bemis | D318,361 S | 7/1991 | Malim |
| D87,362 S | 7/1932 | Sherman | D318,984 S | 8/1991 | Wickham et al. |
| D89,341 S | 2/1933 | Hamsen | D324,603 S | 3/1992 | Cope et al. |
| 1,909,930 A | 5/1933 | De Ridder | 5,117,584 A | 6/1992 | Ottenwalder et al. |
| D93,019 S | 8/1934 | Hose | D334,111 S | 3/1993 | Yockey et al. |
| 2,120,710 A | 6/1938 | Nieding | 5,203,493 A | 4/1993 | Moody |
| 2,145,481 A | 1/1939 | Harvey | D335,758 S | 5/1993 | Stickle |
| 2,274,344 A | 2/1942 | Palmer | 5,223,286 A | 6/1993 | Selbak |
| D141,423 S | 5/1945 | Lewis | 5,236,727 A | 8/1993 | Huston |
| 2,508,724 A | 5/1950 | Moffett, Jr. | D339,899 S | 10/1993 | Kittleson |
| 2,547,295 A | 4/1951 | Weeks | 5,298,273 A | 3/1994 | Ito |
| 2,598,927 A | 6/1952 | May | 5,298,279 A | 3/1994 | Hayashi |
| 2,601,822 A | 7/1952 | Hopkins | D350,671 S | 9/1994 | Asner |
| 2,630,389 A | 3/1953 | Lipshutz | 5,364,016 A | 11/1994 | Capy et al. |
| 2,664,812 A | 1/1954 | Molina | D354,159 S | 1/1995 | Martin |
| 2,739,464 A | 3/1956 | Smith | D358,018 S | 5/1995 | Lindemann |
| D178,162 S * | 6/1956 | Van Ike D11/154 | D369,451 S | 5/1996 | Gornet et al. |
| 2,892,719 A | 6/1959 | Lynn | D370,086 S | 5/1996 | Yeh |
| 3,222,697 A | 12/1965 | Scheermesser | D374,844 S | 10/1996 | Weder et al. |
| D205,126 S | 6/1966 | Haessler | 5,567,455 A | 10/1996 | Alsbrook, Sr. |
| 3,290,154 A | 12/1966 | Turner | 5,567,459 A | 10/1996 | Gonzalez-Hernandez et al. |
| 3,341,167 A | 9/1967 | Weiss | D376,893 S | 12/1996 | Gornet |
| 3,481,458 A | 12/1969 | Mayeaux | D377,257 S | 1/1997 | Calvin |
| 3,541,587 A | 11/1970 | Washburn | 5,626,897 A | 5/1997 | Goldstein |
| D222,682 S | 11/1971 | Douglas | D380,885 S | 7/1997 | Goll |
| 3,653,337 A | 4/1972 | Hanson | 5,652,010 A | 7/1997 | Gimmler et al. |
| 3,794,455 A | 2/1974 | Heiderpriem | D383,589 S | 9/1997 | Morales |
| 3,908,022 A | 9/1975 | Selleck | D387,109 S | 12/1997 | Winans |
| 3,930,049 A | 12/1975 | Mattson | D387,701 S | 12/1997 | Shieh |
| 4,018,905 A | 4/1977 | Adamek et al. | D389,373 S | 1/1998 | Belue |
| 4,055,670 A | 10/1977 | Belmont | 5,709,898 A | 1/1998 | Biggs et al. |
| 4,065,092 A | 12/1977 | Spinks, Sr. et al. | D392,503 S | 3/1998 | Cummings |
| 4,065,581 A | 12/1977 | Heiderpriem | D392,786 S | 3/1998 | Kieser |
| 4,075,107 A | 2/1978 | Smith | D393,136 S | 4/1998 | Gornet |
| D247,868 S | 5/1978 | Britt | 5,756,976 A | 5/1998 | Akasaka |
| D251,396 S | 3/1979 | Hutchinson | D395,937 S | 7/1998 | Zada |
| D251,816 S | 5/1979 | Majeski | D402,085 S | 12/1998 | Gornet |
| D252,845 S | 9/1979 | Gavin | D402,502 S | 12/1998 | Liaw |
| 4,214,517 A | 7/1980 | Caldwell | D402,739 S * | 12/1998 | McClements D23/309 |
| 4,250,091 A | 2/1981 | Papa et al. | D404,684 S | 1/1999 | Shea |
| 4,251,554 A | 2/1981 | Baisden | 5,897,900 A | 4/1999 | Groulx et al. |
| 4,270,660 A | 6/1981 | Putt | D412,770 S | 8/1999 | Martinez et al. |
| 4,313,964 A | 2/1982 | Dembecki | D413,547 S | 9/1999 | Wagner |
| D263,786 S | 4/1982 | Kohan | 5,984,697 A | 11/1999 | Moran et al. |
| D265,387 S * | 7/1982 | Nattrass D11/156 | 5,993,871 A | 11/1999 | Beehler |
| 4,381,837 A | 5/1983 | Cortopassi | 5,996,476 A | 12/1999 | Schultz |
| 4,444,795 A | 4/1984 | Weinstein | 5,997,921 A | 12/1999 | Tirillo |
| D274,115 S | 6/1984 | Gavin et al. | D421,272 S | 2/2000 | Patel |
| D277,234 S | 1/1985 | Bank | D425,685 S | 5/2000 | Kitslaar |
| D278,199 S | 4/1985 | Richards | 6,156,357 A | 12/2000 | Franklin |
| D279,160 S | 6/1985 | Hunt | 6,245,374 B1 | 6/2001 | Thomas et al. |
| 4,530,275 A | 7/1985 | Stickle et al. | D444,816 S | 7/2001 | Stravitz |
| D282,338 S | 1/1986 | Putt | D447,086 S * | 8/2001 | Weder D11/164 |
| 4,573,579 A | 3/1986 | Murdick et al. | D450,420 S | 11/2001 | Brost et al. |
| D285,740 S | 9/1986 | Watanabe | D467,121 S | 12/2002 | Zietz et al. |
| 4,626,438 A | 12/1986 | Glantz | D467,669 S | 12/2002 | Givens et al. |
| 4,650,684 A | 3/1987 | Penrose | D478,393 S | 8/2003 | Alduby |
| 4,666,799 A | 5/1987 | Runquist et al. | 6,607,169 B1 | 8/2003 | Gershfeld |
| 4,733,521 A | 3/1988 | Weder et al. | 6,615,495 B1 | 9/2003 | Evens et al. |
| 4,735,811 A | 4/1988 | Skarra et al. | D485,307 S | 1/2004 | Sheldon et al. |
| 4,746,010 A | 5/1988 | Fournier | D493,943 S | 8/2004 | Mendenhall |
| D296,284 S | 6/1988 | Colby | D515,274 S | 2/2006 | Griebel et al. |
| 4,781,932 A | 11/1988 | Skarra et al. | D516,275 S | 3/2006 | Anaya |
| 4,812,376 A | 3/1989 | Rudolph | 7,008,655 B1 | 3/2006 | Aslanis |
| D300,707 S | 4/1989 | Walmesley | D520,814 S | 5/2006 | Wegmann |
| 4,855,151 A | 8/1989 | Fielding | D523,289 S | 6/2006 | David |
| 4,896,820 A | 1/1990 | Harrington | D523,698 S | 6/2006 | David |
| | | | D523,701 S | 6/2006 | Dodge et al. |
| | | | D524,112 S | 7/2006 | Cogley |
| | | | D527,052 S | 8/2006 | Wolff et al. |
| | | | D544,408 S | 6/2007 | Weekes |

(56)

References Cited

U.S. PATENT DOCUMENTS

| | | |
|-----------------|---------|-----------------|
| D547,235 S | 7/2007 | Stanton et al. |
| D552,785 S | 10/2007 | De'Armond |
| D579,626 S | 11/2008 | Schulman |
| D590,126 S | 4/2009 | Kovich et al. |
| D602,396 S | 10/2009 | Conway et al. |
| 7,648,374 B2 | 1/2010 | Koskondy |
| D609,712 S | 2/2010 | Bedol |
| D610,156 S | 2/2010 | Mudrick |
| D622,927 S | 9/2010 | Griebel |
| D622,928 S | 9/2010 | Griebel |
| D623,376 S | 9/2010 | Griebel |
| D623,826 S | 9/2010 | Griebel |
| D629,586 S | 12/2010 | Griebel |
| D653,079 S | 1/2012 | King |
| D655,886 S | 3/2012 | Kovich et al. |
| D664,399 S | 7/2012 | Henry |
| D673,402 S | 1/2013 | Kuzyk |
| D691,400 S | 10/2013 | Young |
| D691,401 S | 10/2013 | Sobran |
| D722,821 S | 2/2015 | Liu |
| 2001/0043973 A1 | 11/2001 | Keck et al. |
| 2002/0168453 A1 | 11/2002 | McCutchan |
| 2004/0058048 A1 | 3/2004 | Chedid et al. |
| 2004/0071854 A1 | 4/2004 | Chedid et al. |
| 2005/0281921 A1 | 12/2005 | Langston et al. |
| 2006/0147587 A1 | 7/2006 | Kovich et al. |
| 2008/0095908 A1 | 4/2008 | Vendl et al. |
| 2008/0193613 A1 | 8/2008 | Kovich et al. |
| 2008/0220132 A1 | 9/2008 | Taminich |
| 2008/0220144 A1 | 9/2008 | Richards |
| 2009/0285950 A1 | 11/2009 | Baker |
| 2010/0272863 A1 | 10/2010 | Griebel et al. |

OTHER PUBLICATIONS

Hollingsworth, Pierce, "One-handed Cuisine and Other Business Trends to Watch", *Food Technology*; v. 56:4 p. 18 (Apr. 2002) abstract.
<http://www.slashfood.com/tag/taco/>, Jul. 2007.
 Mintel gnpd, "Crispy Tacho Shells", <http://www.gnpd.com>.
 Food Beast, "*DOPE: Seaweed Cupcake Wrappers*", <http://www.foodbeast.com/news/seaweed-cupcake-wrappers>>. Feb. 13, 2015.
 Bento Tools—Bento!, <http://obentolunch.weebly.com/bento-tools.html>>.
 "American Hits", Oct. 30, 2007, <http://www.salomon-online.com/p3filesen/produkte/americanhits.shtml>.

"Chili in Tortilla Bowls" published Oct. 21, 2006, <http://www.favoritebrandrecipes.com/Recipes/335/1531521335.htm>.
 How to make Really Good Soft Taco Shells, Jul. 21, 2007, <http://forums.macresource.com/read.php?1,330158,330263>.
 "Mushrooms in Garlic Sauce, Served in a Soft Tortilla Shell" Apr. 27, 2006, <http://www.foodnetwork.com/recipes/mushrooms-in-garlic-sauce-served-in-a-soft-tortilla-shell-recipe-2011935>.
 "Ortega" Published Dec. 23, 2007, http://web.archive.org/web/20071228042139/http://www.ortega.com/products/dinner_kits.asp.
 "Rachel Ray Show", Jul. 3, 2007, <http://www.rachaelrayshow.com/food/recipes/healthy-tortilla-ice-cream-bowls/>.
 "Recipe Book—Mexican Beef Soup in Tortilla Bowls", Jul. 30, 2007, <http://www.txbeef.org/recipe.php3?944689164>.
 "The Cook's Thesaurus" Jan. 30, 2008, <http://web.archive.org/web/20080130010346/http://foodsubs.com/Flatbread.html>.
 "The Glass of Frederick Carder". New York: Corning Museum of Glass, 1971. Print p. 158, item No. 1956.
 The Revolutionary New Fast Food Concept From Down Under, Xcitetech Technology Solutions, Inc., 2002, <http://excitetech.com/TheWalkAboutConeDocV7.o.pdf>, brochure.
 Old El Paso Dinner Kit, 2002.
 Pizzacona, Oct. 17, 2007, <http://www.crispycones.com/crispy/menu.htm>.
 R. S. Chavan et al., 2010, "Microwave Baking in Food Industry: A Review". *International Journal of Dairy Science*, 5:113-127.
 The Nibble, Mar. 12, 2009, Tumaró's Tortillas, Gourmet for Sandwich Wraps, Mexican Recipes & Desserts: <http://www.thenibble.com/reviews/main/breadstuffs/tumaro.tortillas.asp>.
 Bethlehem Steel Catalog, Copyright 1931: p. 9, extrusion, bottom row.
 Clark, Chefs and Food Scientists Develop 'grab and go' foods, *Food Sci. & Tech Abs.* 2007, Dialog Accession No. 01077407.
 CrispyCones, Oct. 17, 2007, <http://www.crispycones.com/crispy/faq.htm>.
 EEE Cooks: Tortilla Shell (Recipe), Mar. 12, 2009: <http://www.eeecooks.com/recipes/2004/02/17/shell>.
 GoogleGroups, May 1999, rec.food.cooking, http://groups.google.com/group/rec.food.cooking/browse_thread/thread/25cf043af2ac4457/7cb26bbc141f38fe?hl=en&ie=UTF-8&oe=UTF-8&q=orte.
 Hessong, Athena, "Desserts Made with Tortilla Shells", 10.5.2012, http://www.ehow.com/info_10001655_desserts-made-tortilla-shells.html.

* cited by examiner

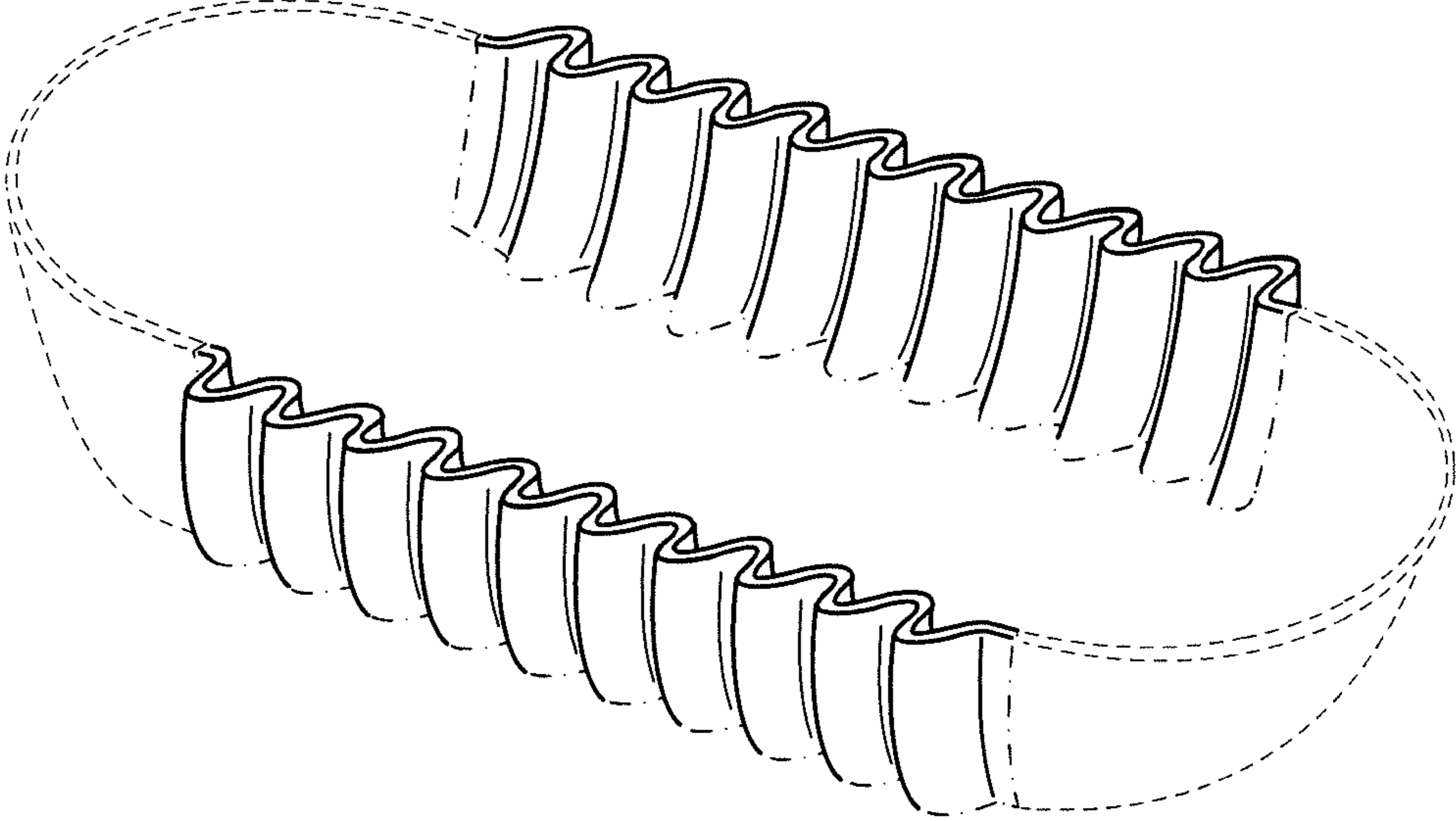


FIG. 1

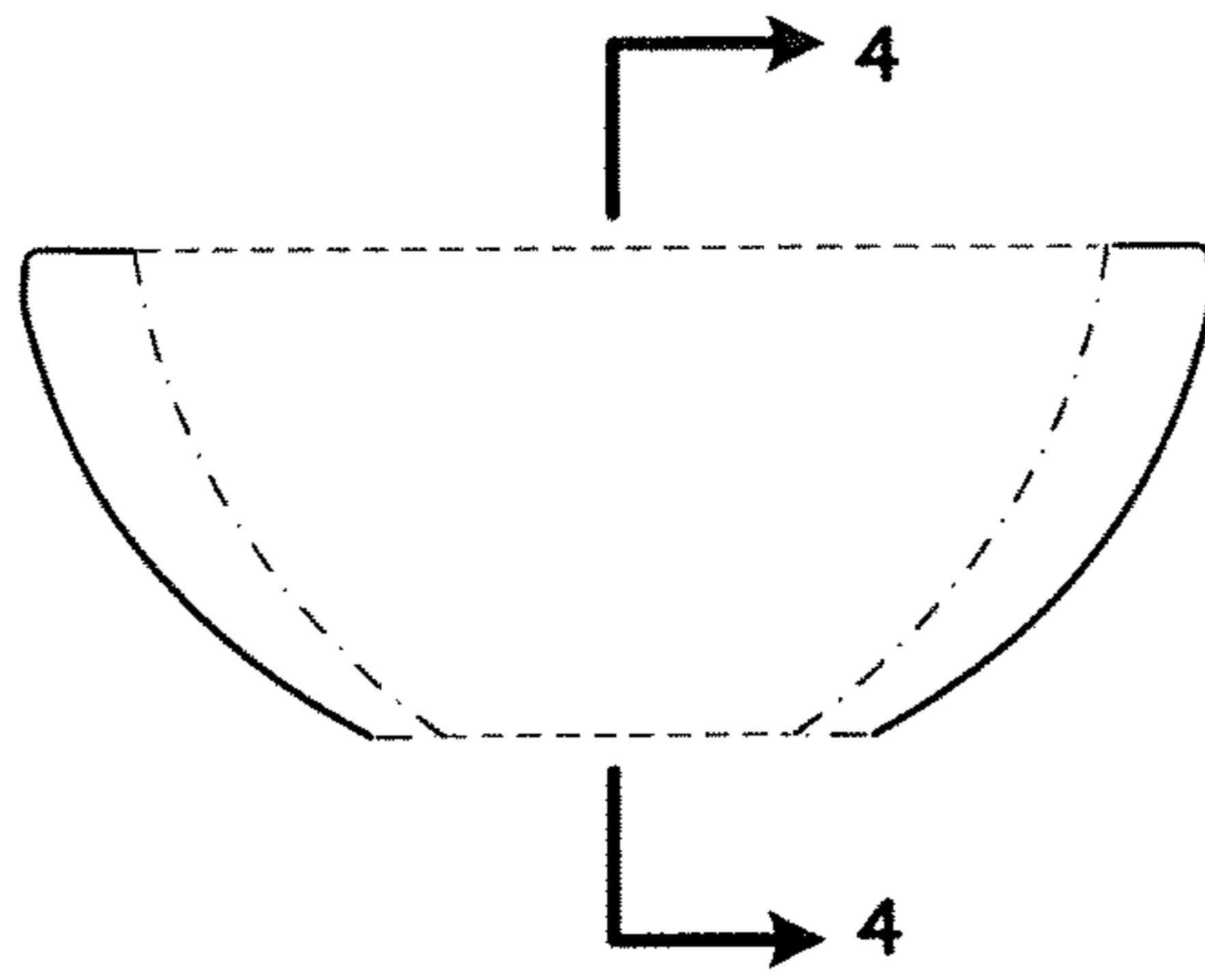


FIG. 2

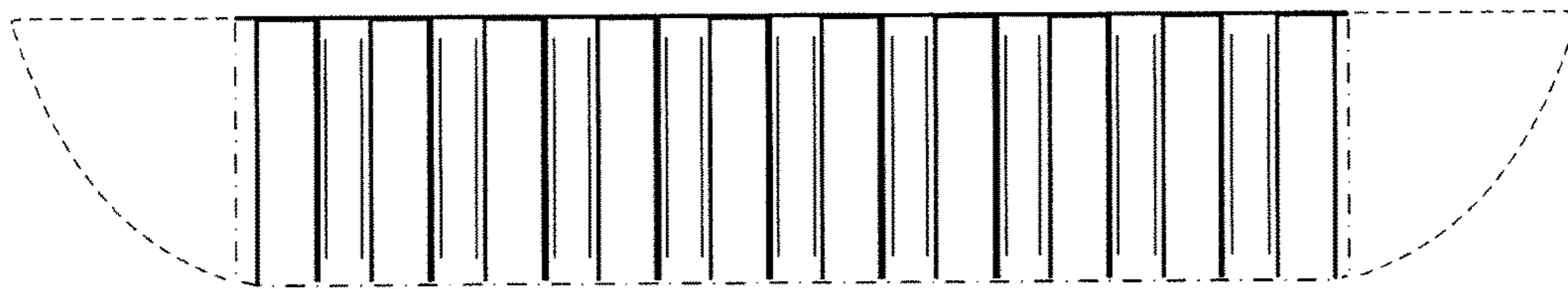


FIG. 3

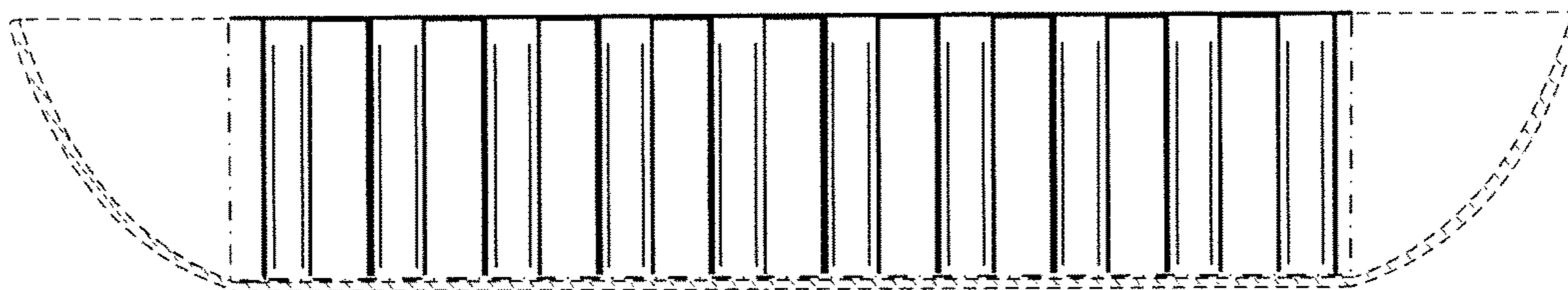


FIG. 4

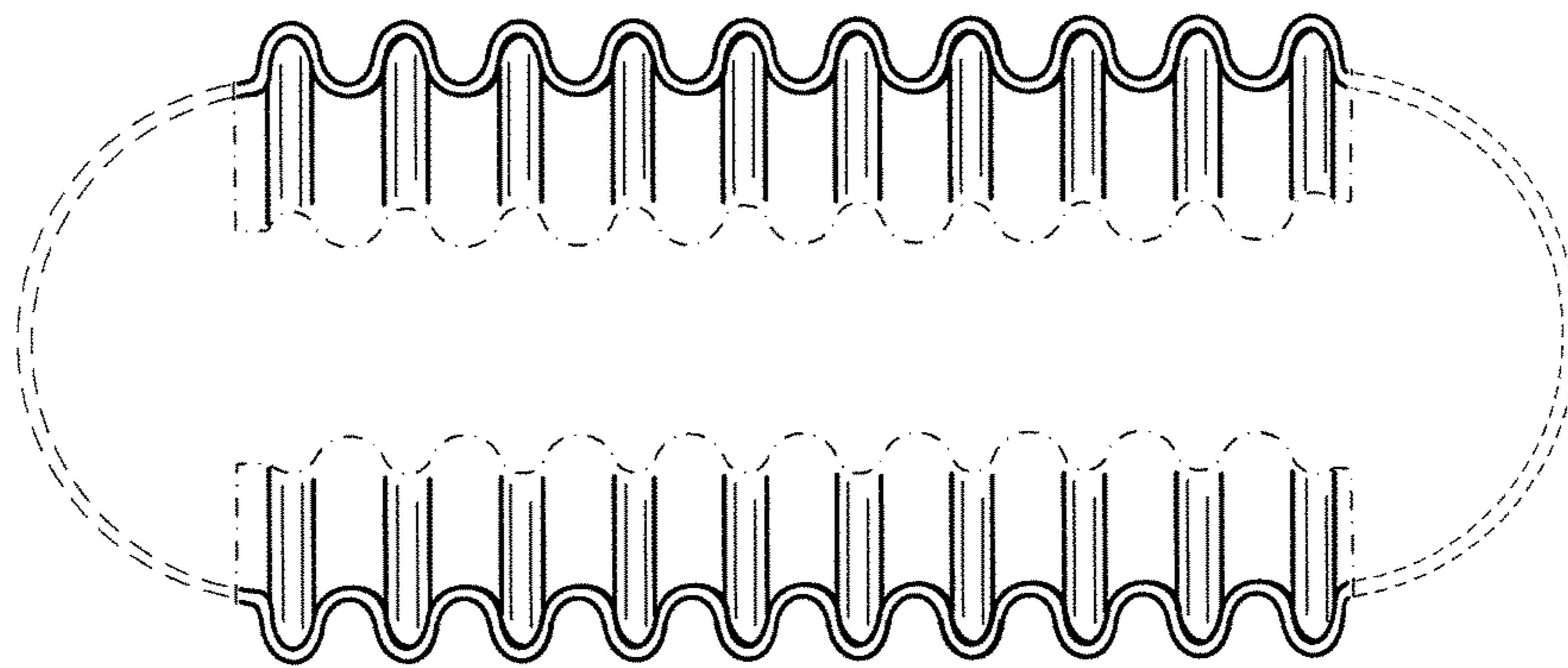


FIG. 5

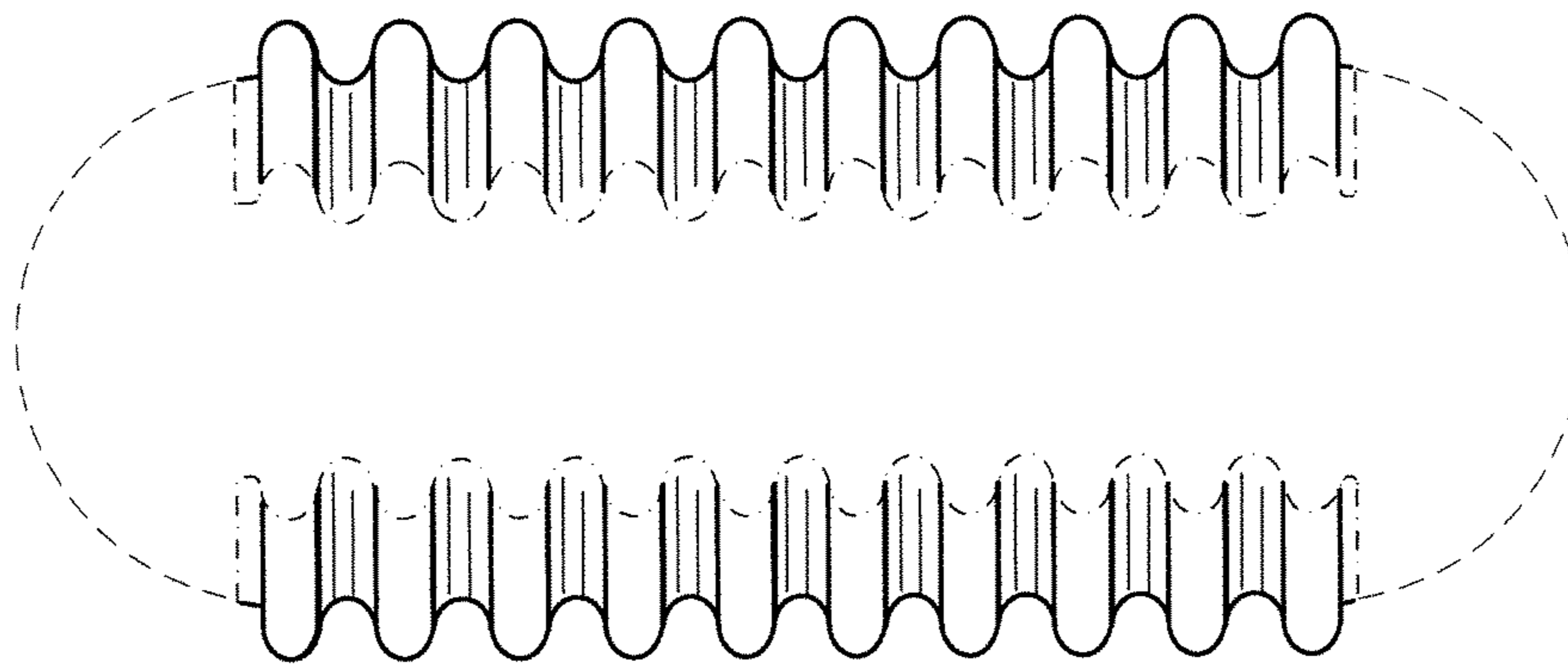


FIG. 6