



US00D800989S

(12) **United States Design Patent** (10) **Patent No.:** **US D800,989 S**
Lucido (45) **Date of Patent:** **** Oct. 24, 2017**

(54) **STORAGE BOX**

D469,607 S * 2/2003 Wolff D3/294
D487,192 S * 3/2004 Farnham D3/294
D490,206 S * 5/2004 Perella D99/28

(Continued)

(71) Applicant: **The Tin Box Company of America, Inc.**, Farmingdale, NY (US)

(72) Inventor: **Dominick Lucido**, Fort Salonga, NY (US)

(73) Assignee: **The Tin Box Company of America, Inc.**, Farmingdale, NY (US)

(**) Term: **15 Years**

(21) Appl. No.: **29/575,651**

(22) Filed: **Aug. 26, 2016**

(51) **LOC (10) Cl.** **06-04**

(52) **U.S. Cl.**

USPC **D99/28; D3/294**

(58) **Field of Classification Search**

USPC D99/29, 34, 35, 36, 37, 38, 39, 40, 41, D99/42, 43, 28; D14/900, 901, 902, 307; 232/4 R; 109/1 V; D9/414, 423, 424, D9/432; D7/351; D3/273, 292, 304, D3/323, 201, 302, 294; D18/3.1, 3.2, D18/3.3; D8/334; D15/9.1, 9.2; D10/42; D25/16; D21/394; D27/189
CPC . B65D 45/16; B65D 1/00; B65D 1/22; B65D 7/00; B65D 7/06; G06Q 20/1085; A47B 43/00

See application file for complete search history.

(56) **References Cited**

U.S. PATENT DOCUMENTS

2,378,768 A * 6/1945 Heyer E05B 37/10 70/21
D199,011 S * 8/1964 Vogt D10/40
D205,005 S * 6/1966 Harrell D8/334
D371,906 S * 7/1996 Peters D3/276
D418,392 S * 1/2000 Kelley D8/334
D418,978 S * 1/2000 Pennoyer, Jr. D3/273
D452,148 S * 12/2001 Friedberg D9/423

OTHER PUBLICATIONS

Tin Box With Handle, no date available [online], [site visited Jul. 6, 2017]. Retrieved from url:https://www.alibaba.com/product-detail/tin-box-with-handle-metal-box_60066547798.html?spm=a2700.7724838.2017115.31.Kux3ov.*

(Continued)

Primary Examiner — Jeffrey D Asch

Assistant Examiner — Tracey J Bell

(74) *Attorney, Agent, or Firm* — Greenberg Traurig, LLP

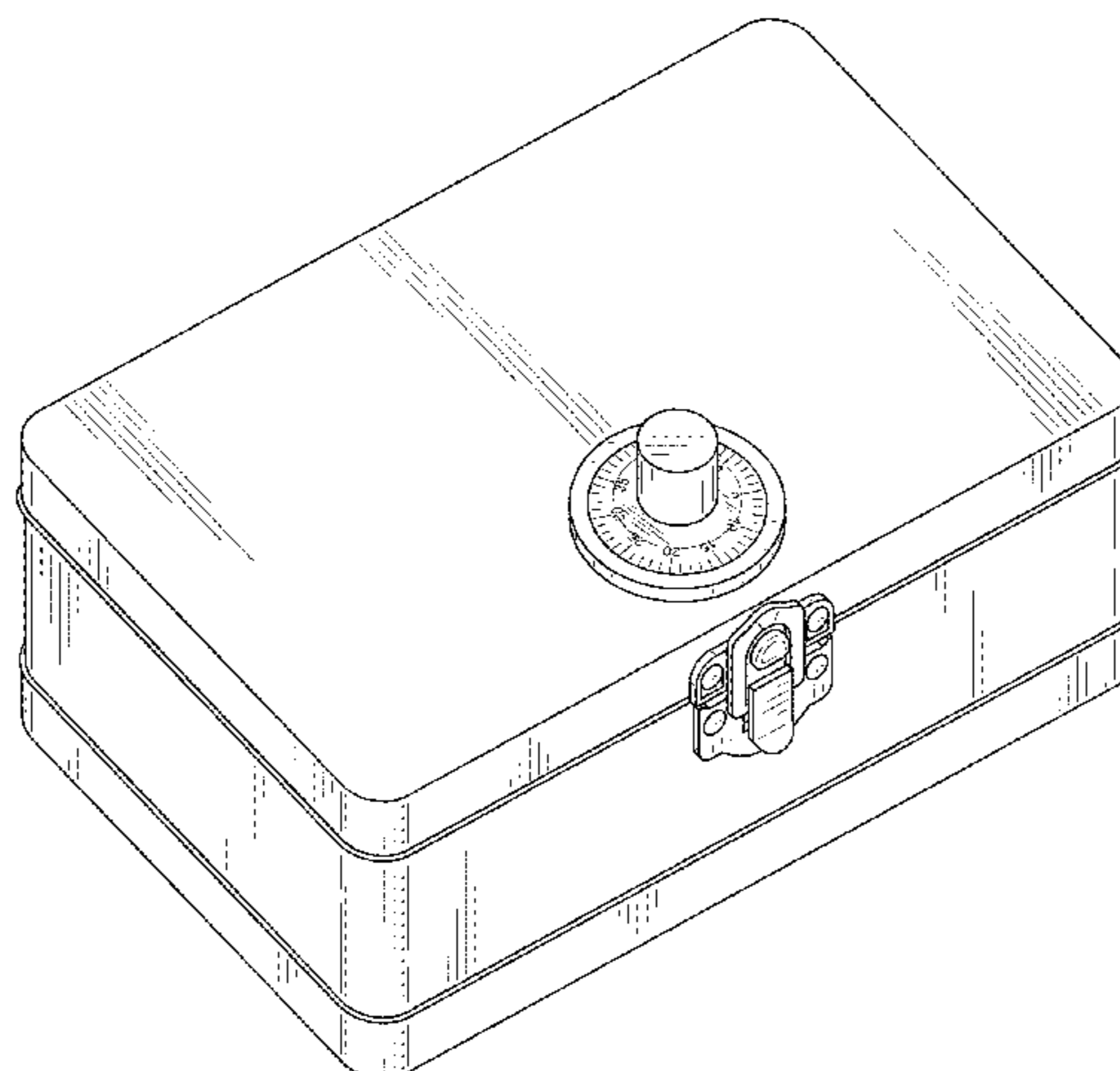
(57) **CLAIM**

The ornamental design for a storage box, as shown and described.

DESCRIPTION

FIG. 1 is a top perspective view of a first embodiment of a storage box;
FIG. 2 is a front elevational view thereof;
FIG. 3 is a rear elevational view thereof;
FIG. 4 is a left side elevational view thereof;
FIG. 5 is a right side elevational view thereof;
FIG. 6 is a top plan view thereof;
FIG. 7 is a bottom plan view thereof;
FIG. 8 is a top perspective view of a second embodiment of a storage box;
FIG. 9 is a front elevational view thereof;
FIG. 10 is a rear elevational view thereof;
FIG. 11 is a left side elevational view thereof;
FIG. 12 is a right side elevational view thereof;
FIG. 13 is a top plan view thereof; and,
FIG. 14 is a bottom plan view thereof.
The broken lines in the figures show portions of the storage box that form no part of the embodiment in which they are shown.

1 Claim, 8 Drawing Sheets



(56)

References Cited

U.S. PATENT DOCUMENTS

D493,936 S	*	8/2004	Perella	D99/28
D498,049 S	*	11/2004	Perella	D3/273
D548,969 S	*	8/2007	Bramley	D21/394
D659,388 S	*	5/2012	Lucido	D3/232
D677,855 S	*	3/2013	Eick	D99/35
D686,491 S	*	7/2013	Kuo	D9/432
D728,223 S	*	5/2015	Setre Shens	D3/232
D729,515 S	*	5/2015	Slimane	D3/242
D734,535 S	*	7/2015	Dyer	D27/189
D778,156 S	*	2/2017	Follett	D9/432

OTHER PUBLICATIONS

Safe Combination Lock Box Military Vietnam Korea WWII Era, no date available [online], [site visited Jul. 7, 2017]. Retrieved from url:<https://www.etsy.com/listing/220900596/safe-combination-lock-box-military>.*

Locking Cash Box by Schylling LB, Really Great Toys, no date available [online], [site visited Jul. 7, 2017]. Retrieved from url: <http://www.reallygreattoys.com/product/99557/locking-cash-box>.*

Catalog for The Tin Box Company of America, 2016; tinboxco.com (24 pages).

* cited by examiner

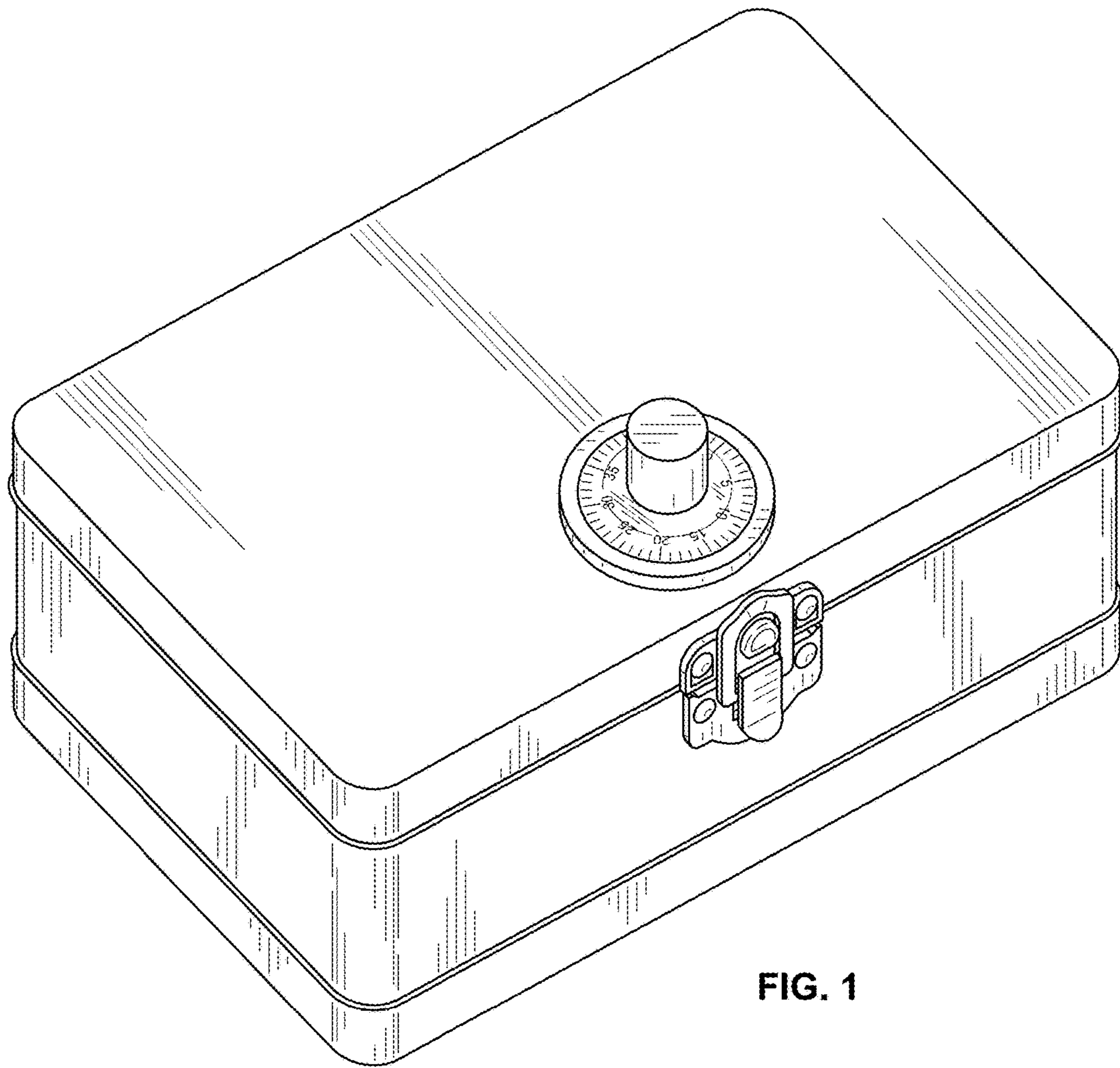


FIG. 1

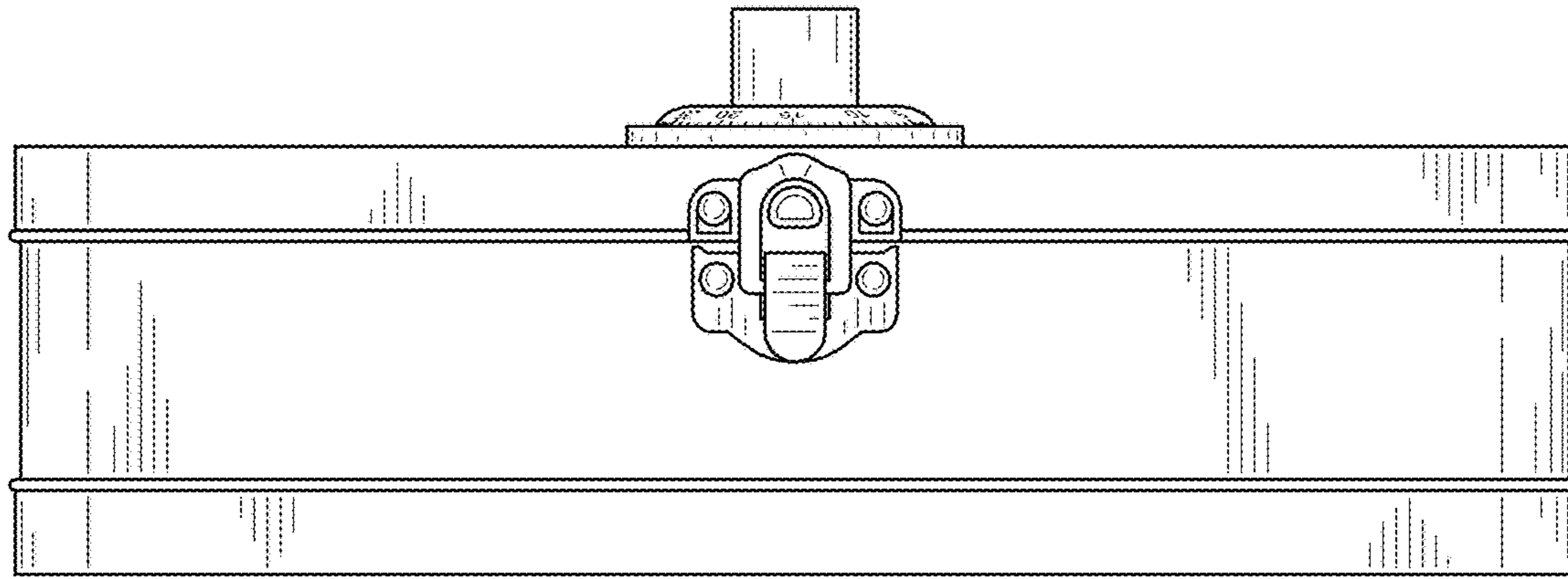


FIG. 2

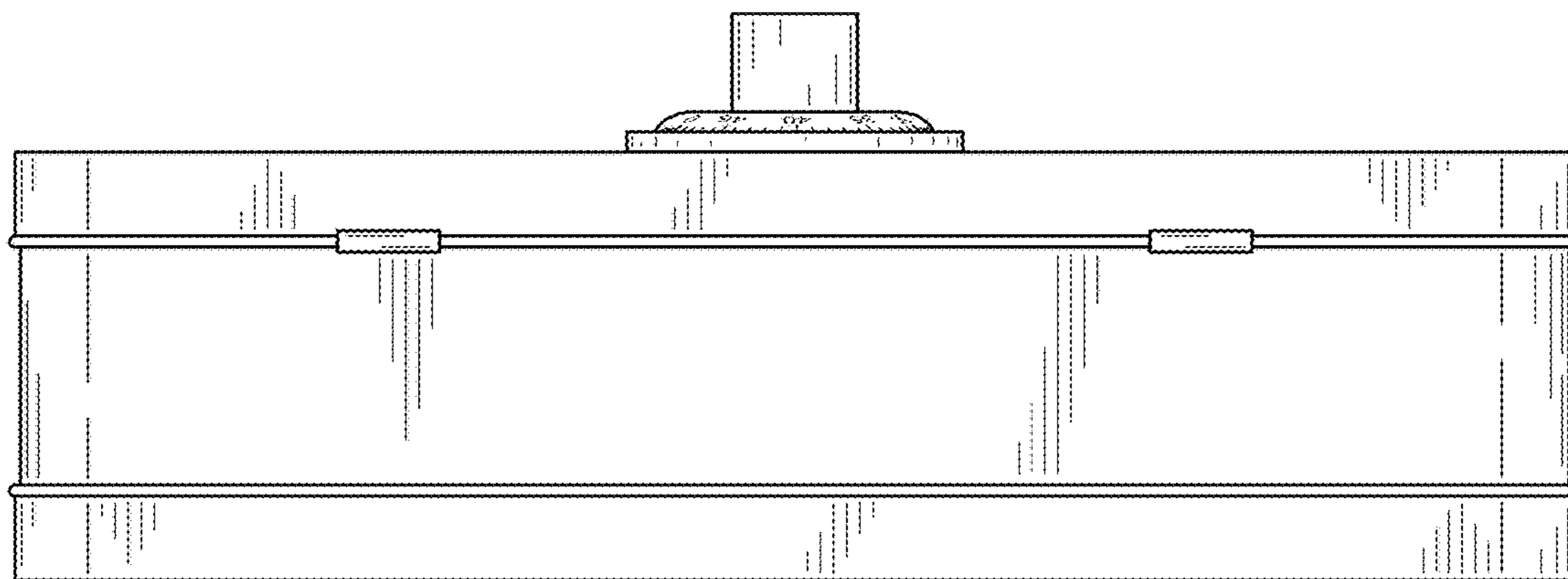


FIG. 3

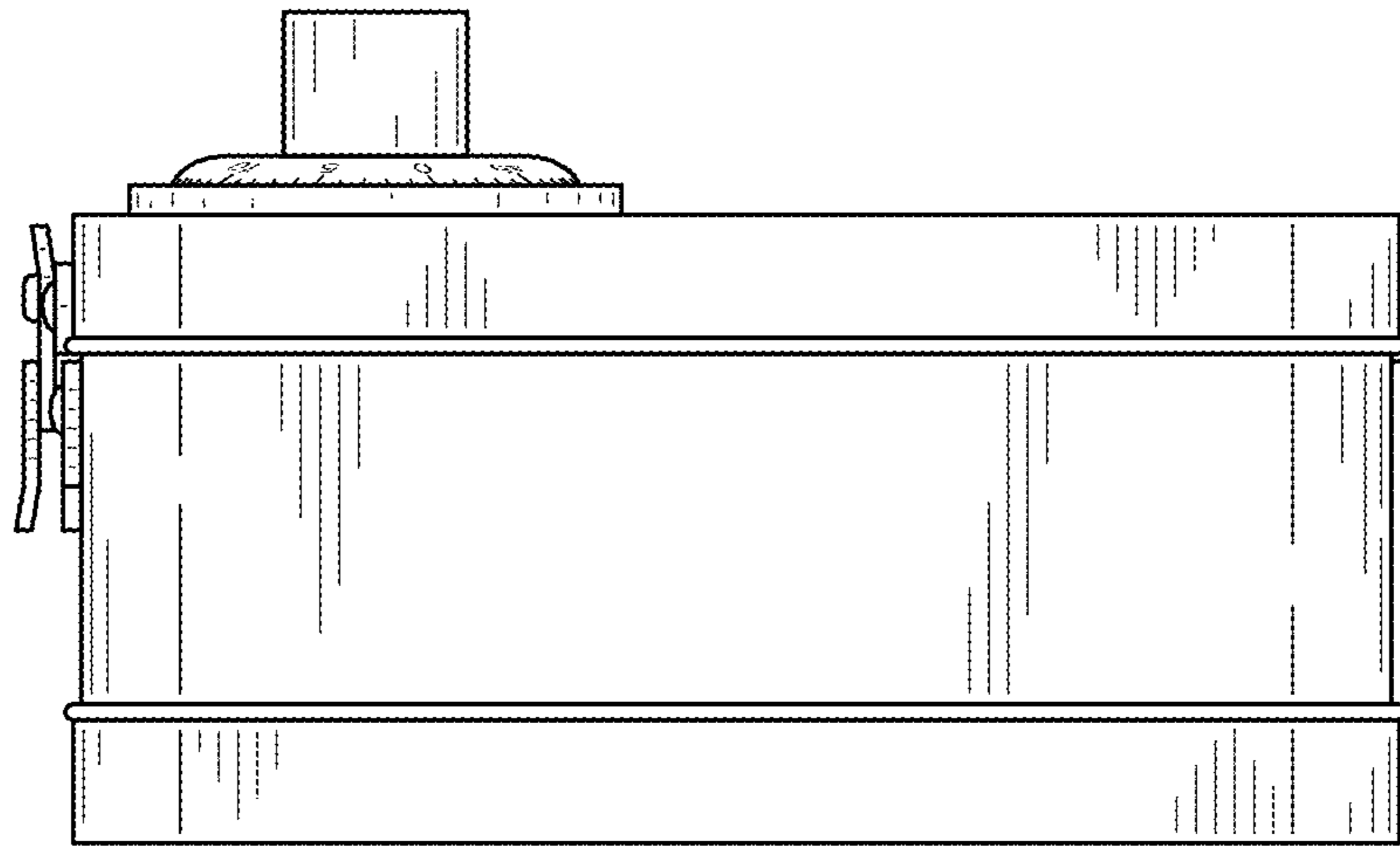


FIG. 4

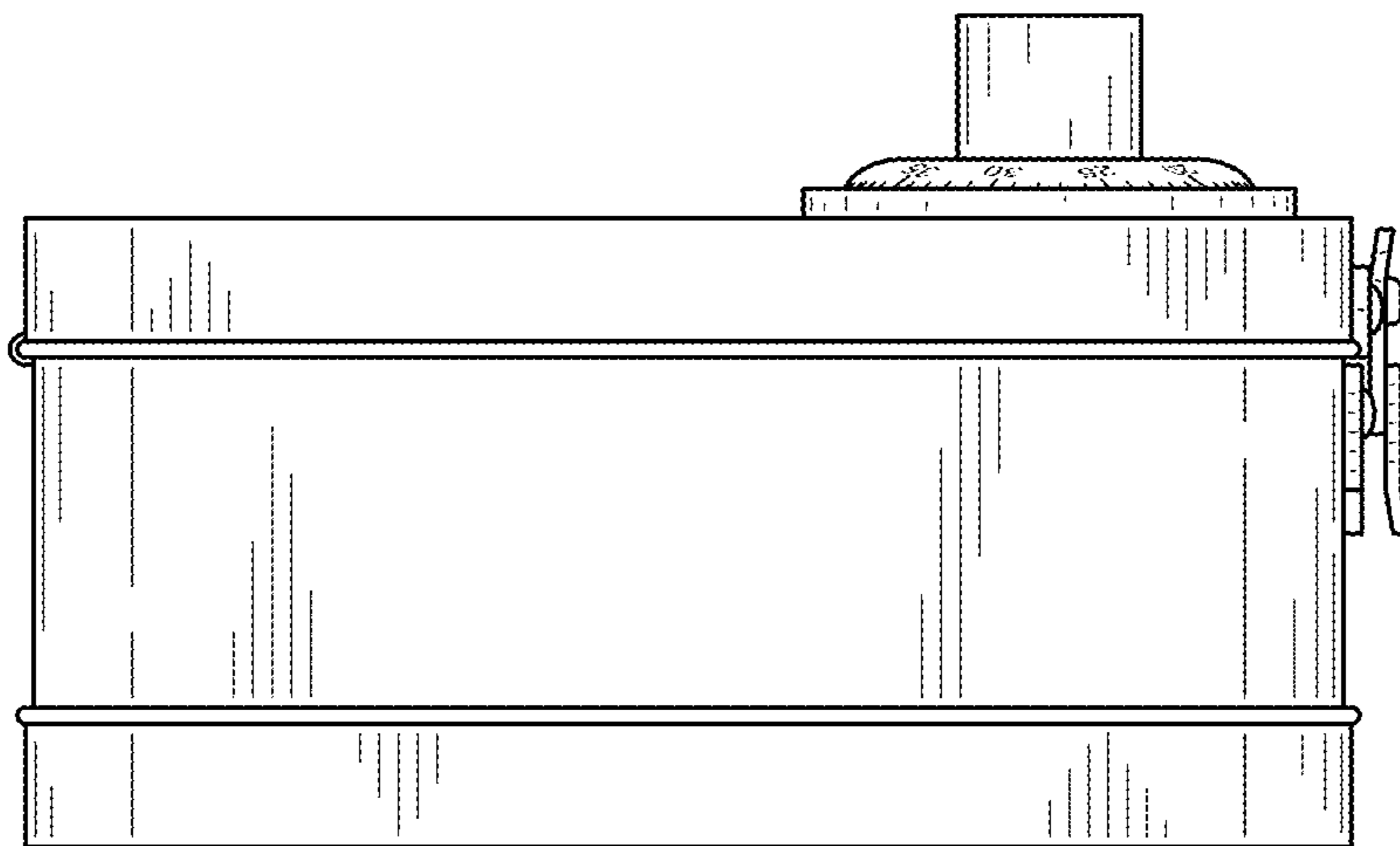


FIG. 5

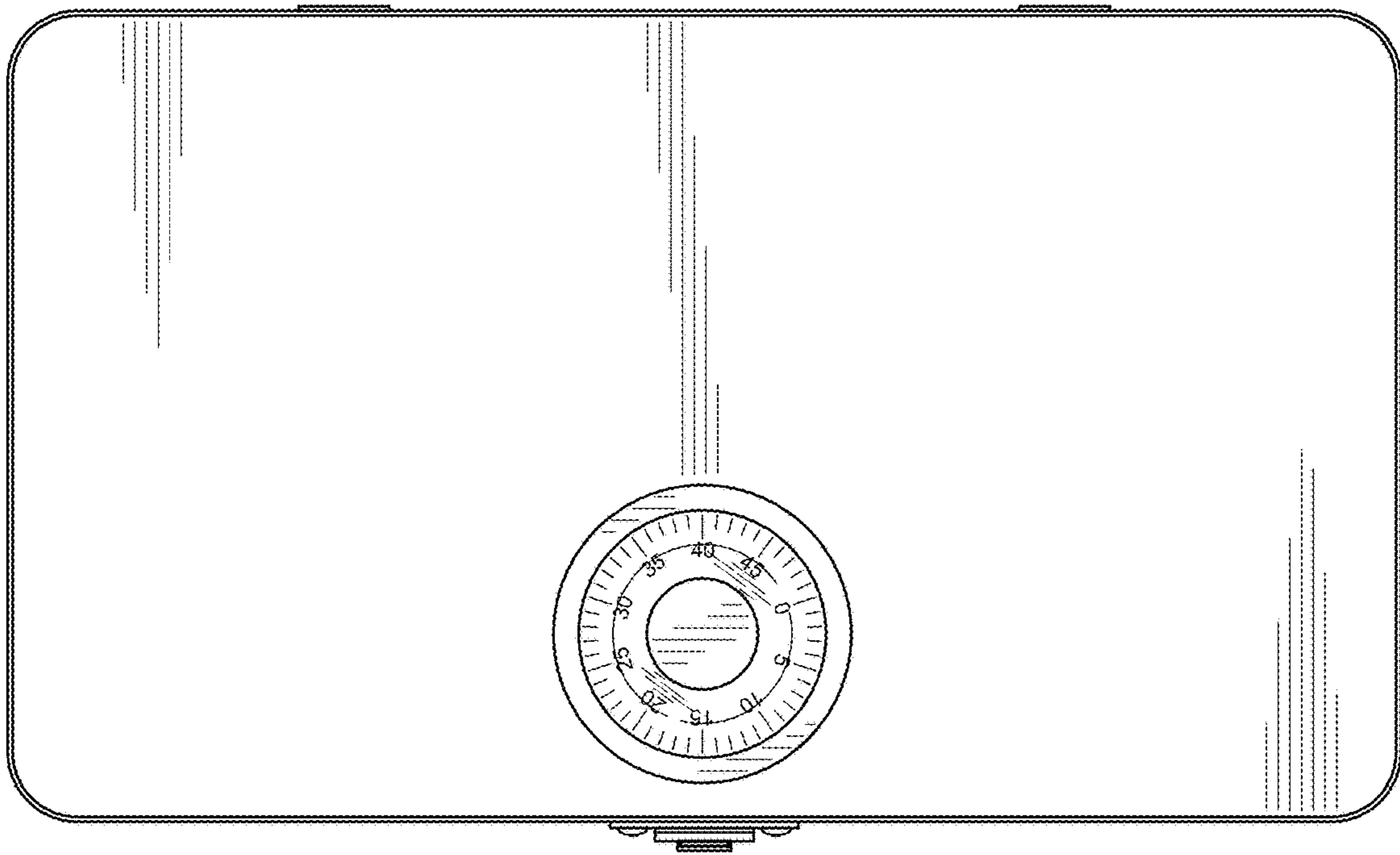


FIG. 6

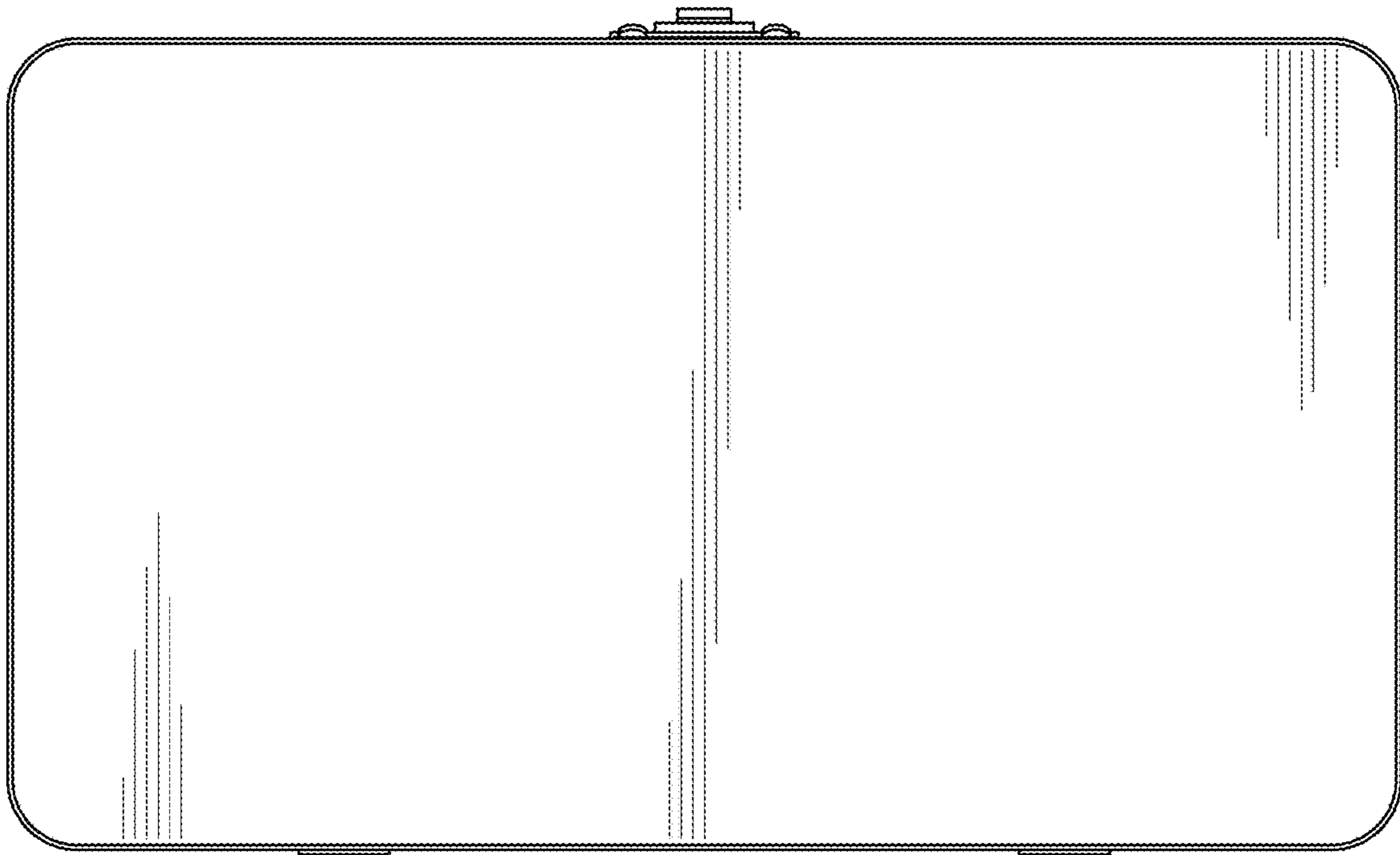


FIG. 7

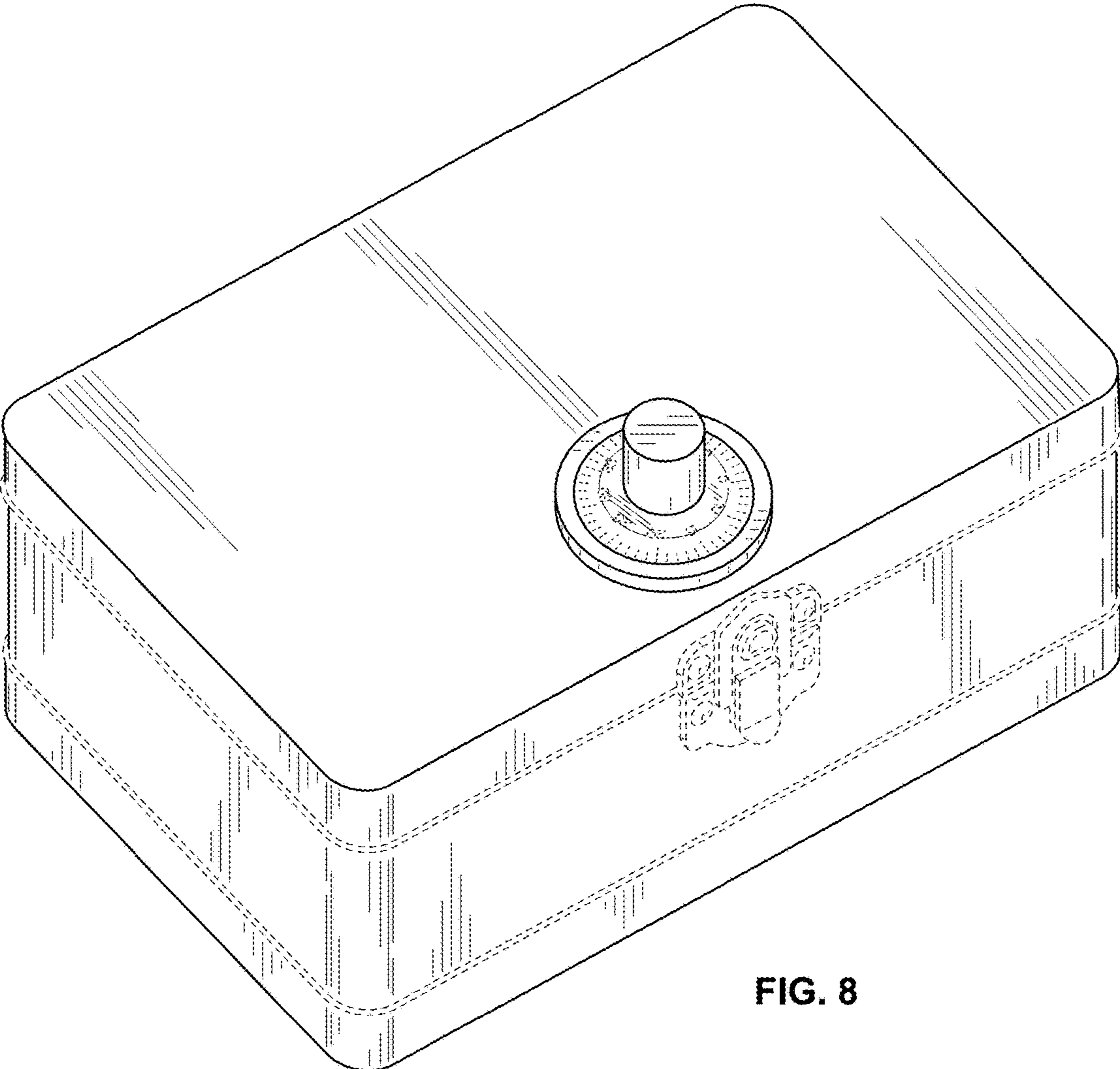


FIG. 8

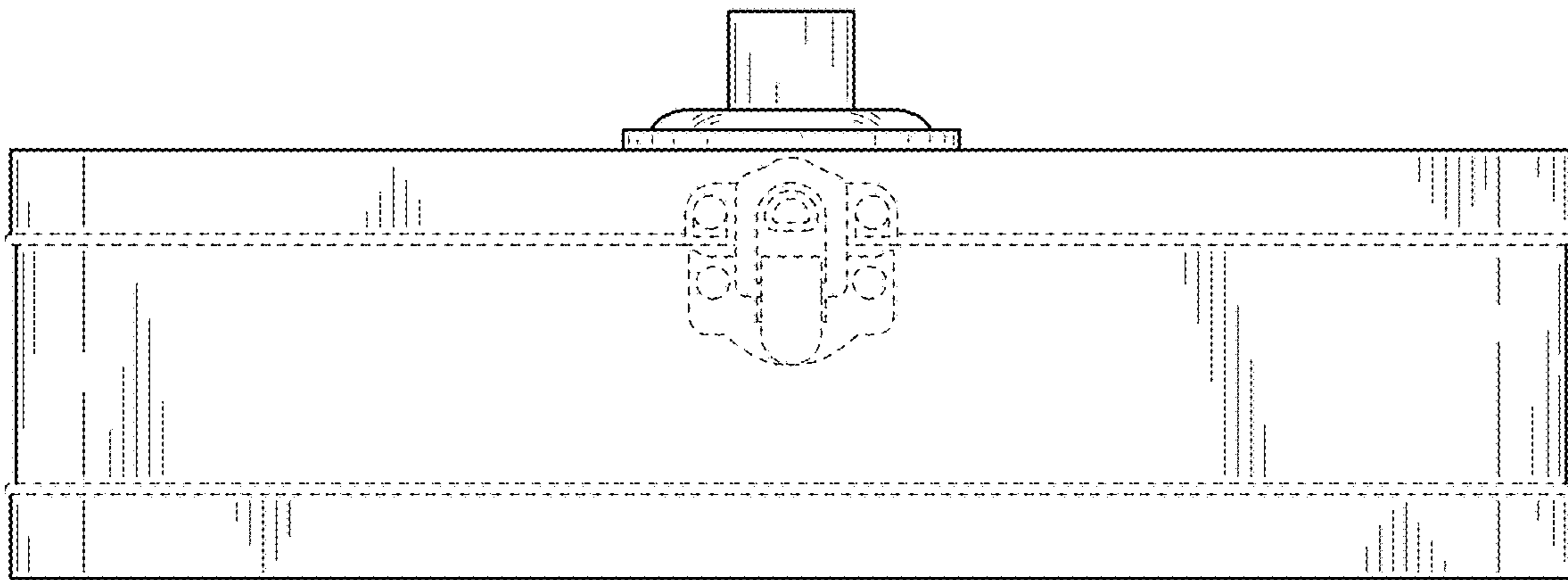


FIG. 9

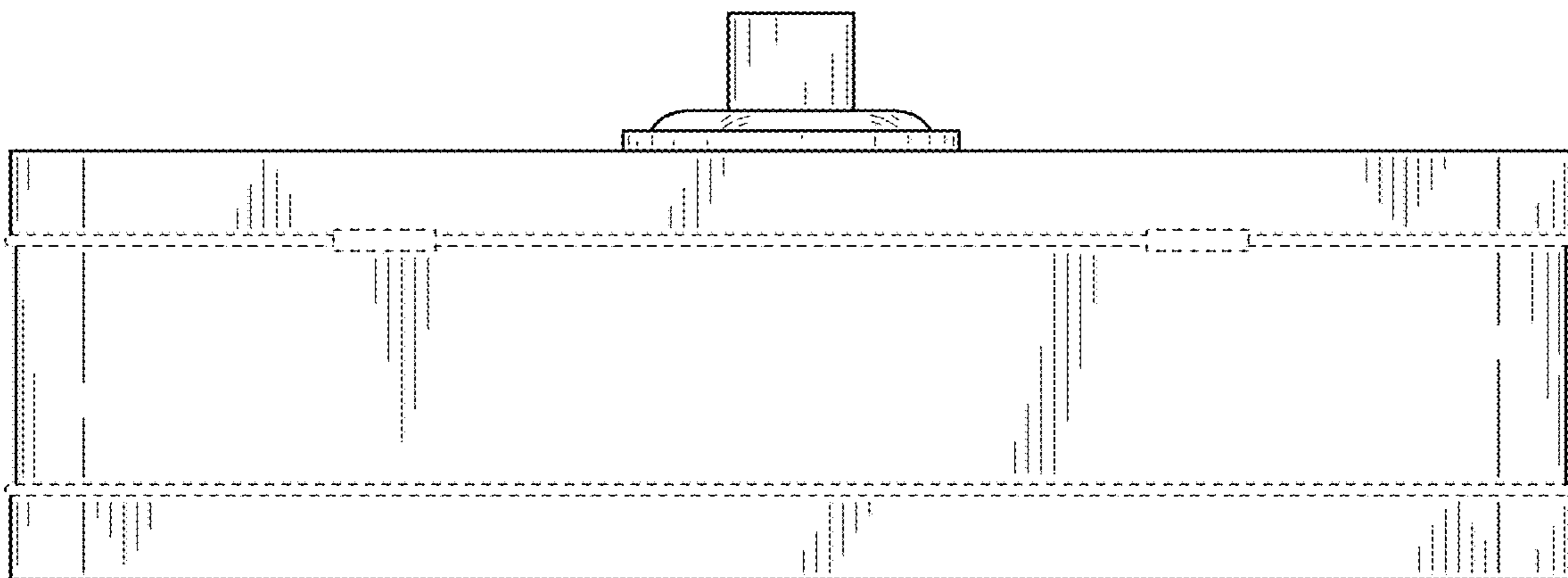


FIG. 10

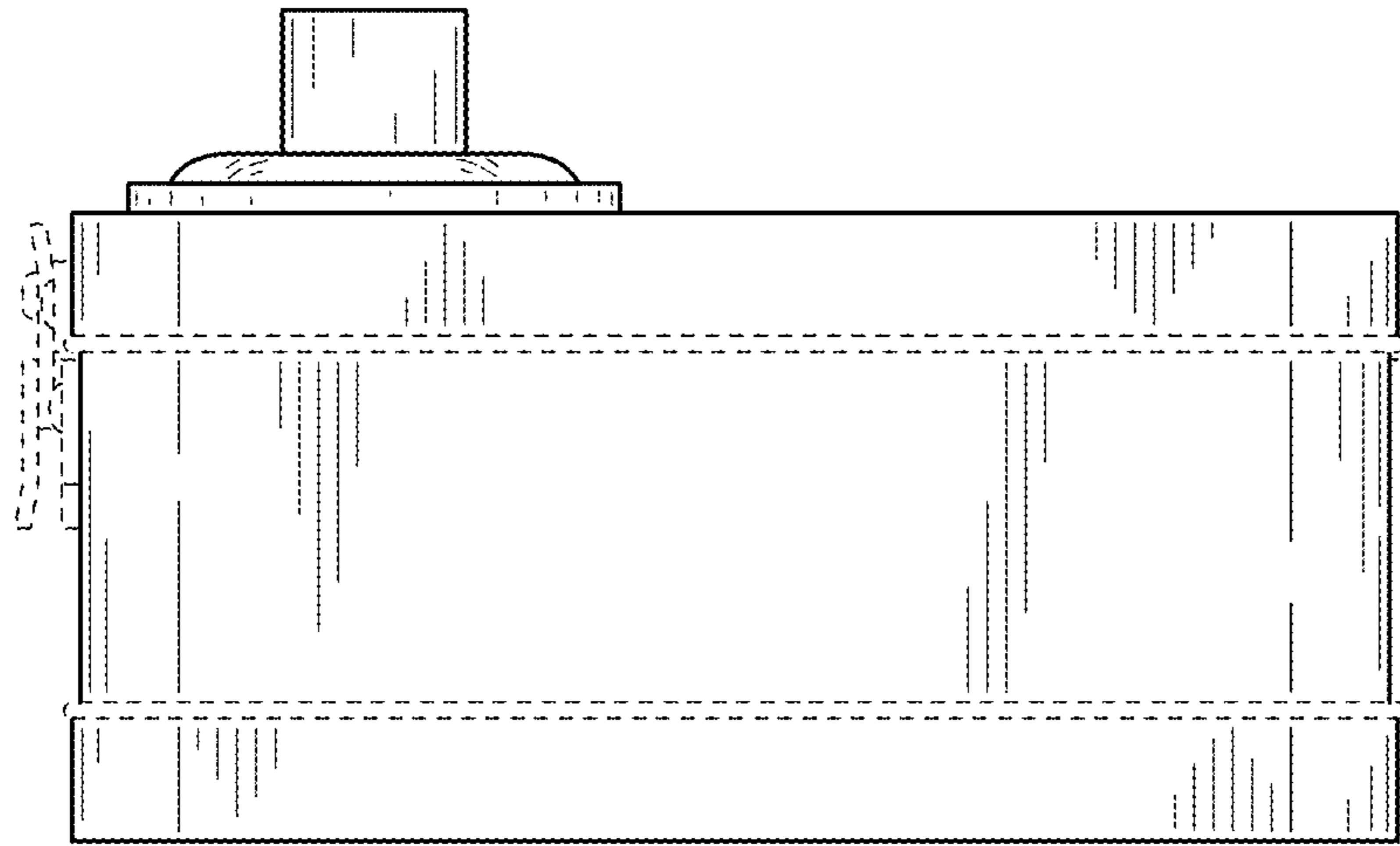


FIG. 11

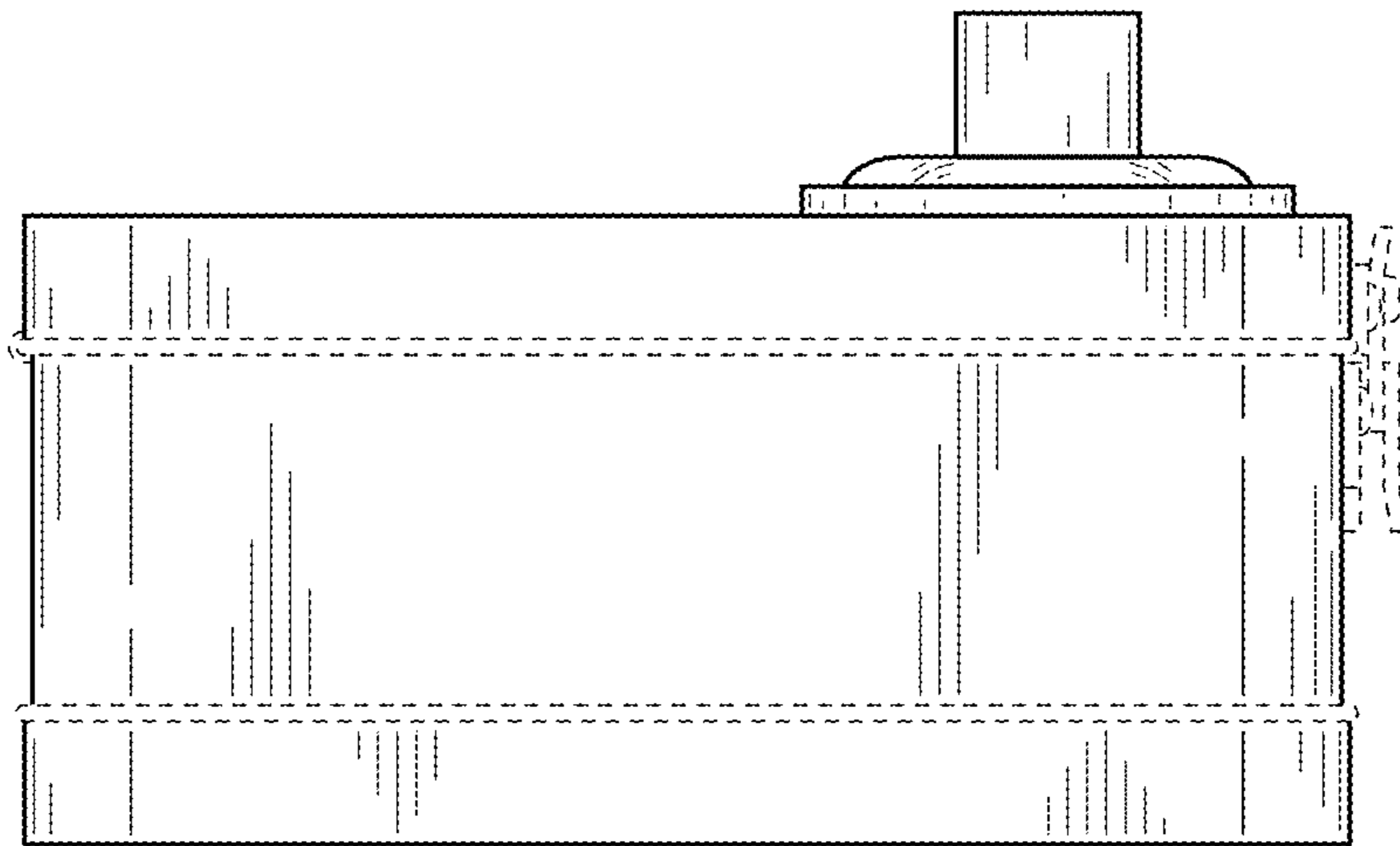


FIG. 12

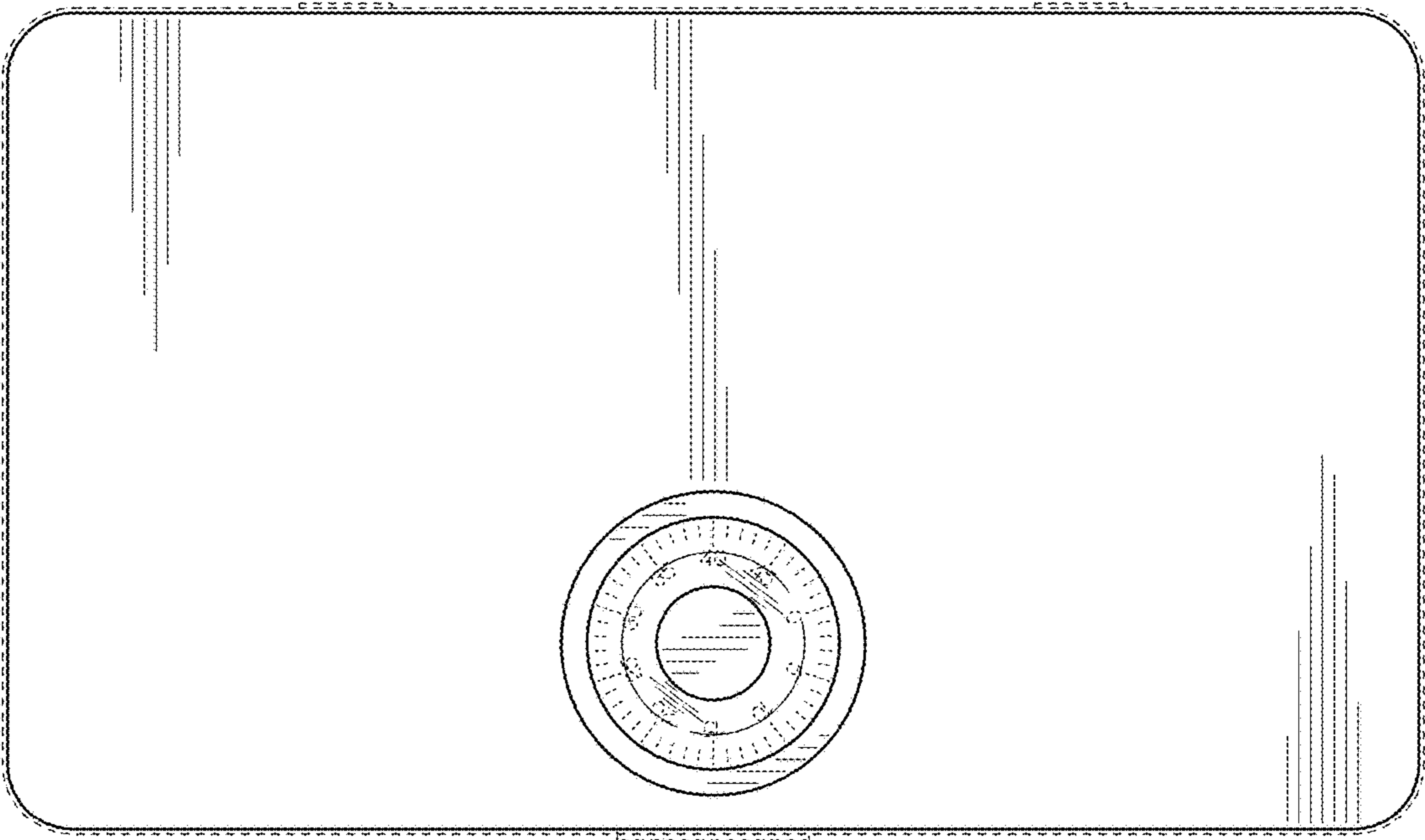


FIG. 13

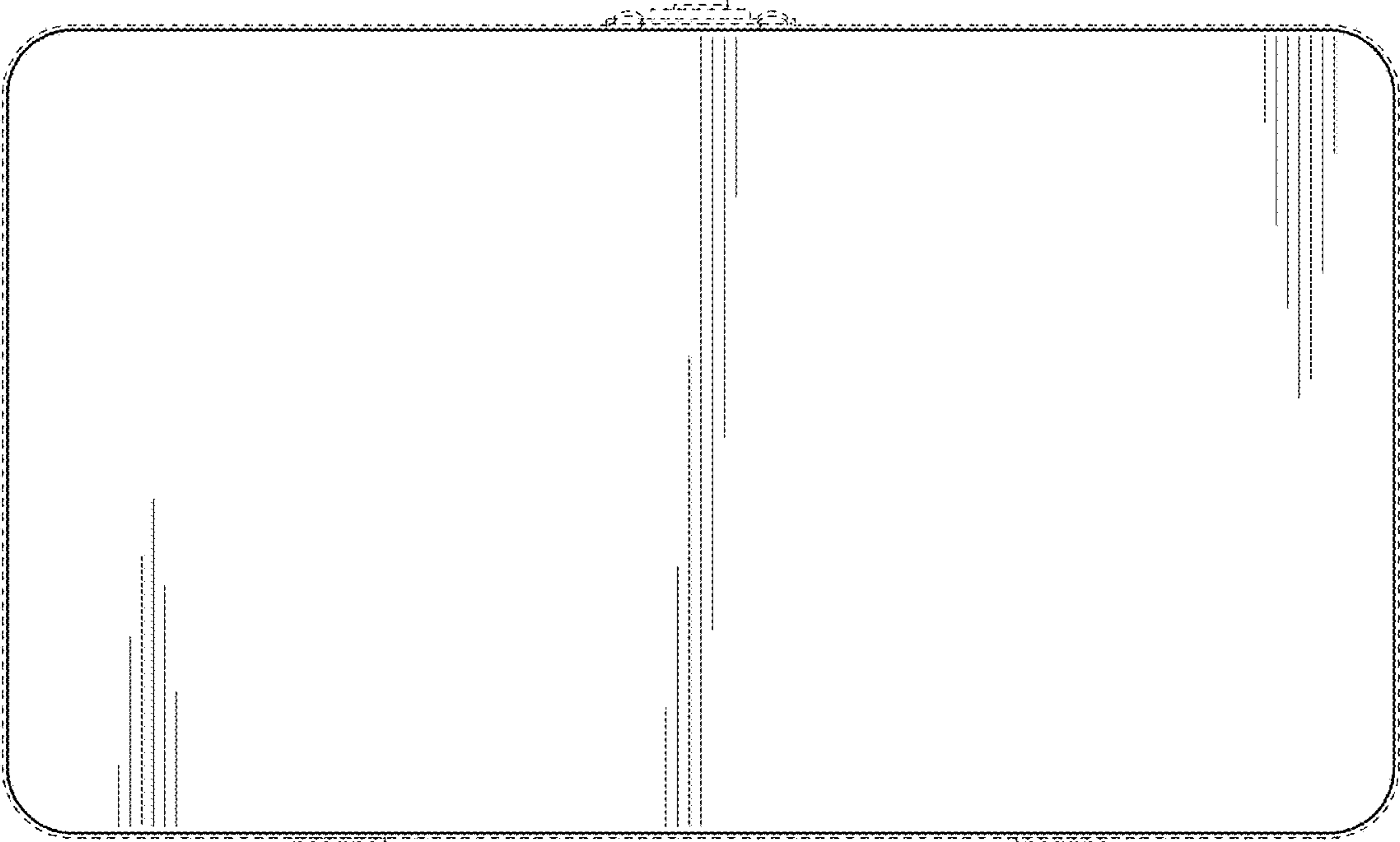


FIG. 14