



US00D800988S

(12) **United States Design Patent** (10) **Patent No.:** **US D800,988 S**
Van de Mark et al. (45) **Date of Patent:** **** Oct. 24, 2017**

(54) **FOLDABLY CONSTRUCTED PALLET WITH ANGLED SIDEWALLS**

(71) Applicant: **Green Ox Pallet Technology, LLC**, Centennial, CO (US)

(72) Inventors: **Gregory D. Van de Mark**, Centennial, CO (US); **Joshua Daniel Herbeck**, Centennial, CO (US)

(73) Assignee: **GREEN OX PALLET TECHNOLOGY, LLC**, Centennial, CO (US)

(**) Term: **15 Years**

(21) Appl. No.: **29/541,515**

(22) Filed: **Oct. 5, 2015**

(51) **LOC (10) Cl.** **09-08**

(52) **U.S. Cl.**
USPC **D34/38**

(58) **Field of Classification Search**
USPC D34/35, 38; D9/433; 108/51.11, 51.3, 108/52.1, 53.1, 53.3, 55.3, 56.1, 57.1,
(Continued)

(56) **References Cited**

U.S. PATENT DOCUMENTS

2,503,240 A 4/1950 Cahners
2,576,715 A 11/1951 Farrel
(Continued)

FOREIGN PATENT DOCUMENTS

DE 7227035 U 10/1972
DE 2137703 A1 2/1973
(Continued)

Primary Examiner — Cynthia Ramirez
Assistant Examiner — Michael Maharajh

(74) *Attorney, Agent, or Firm* — Dorsey & Whitney LLP

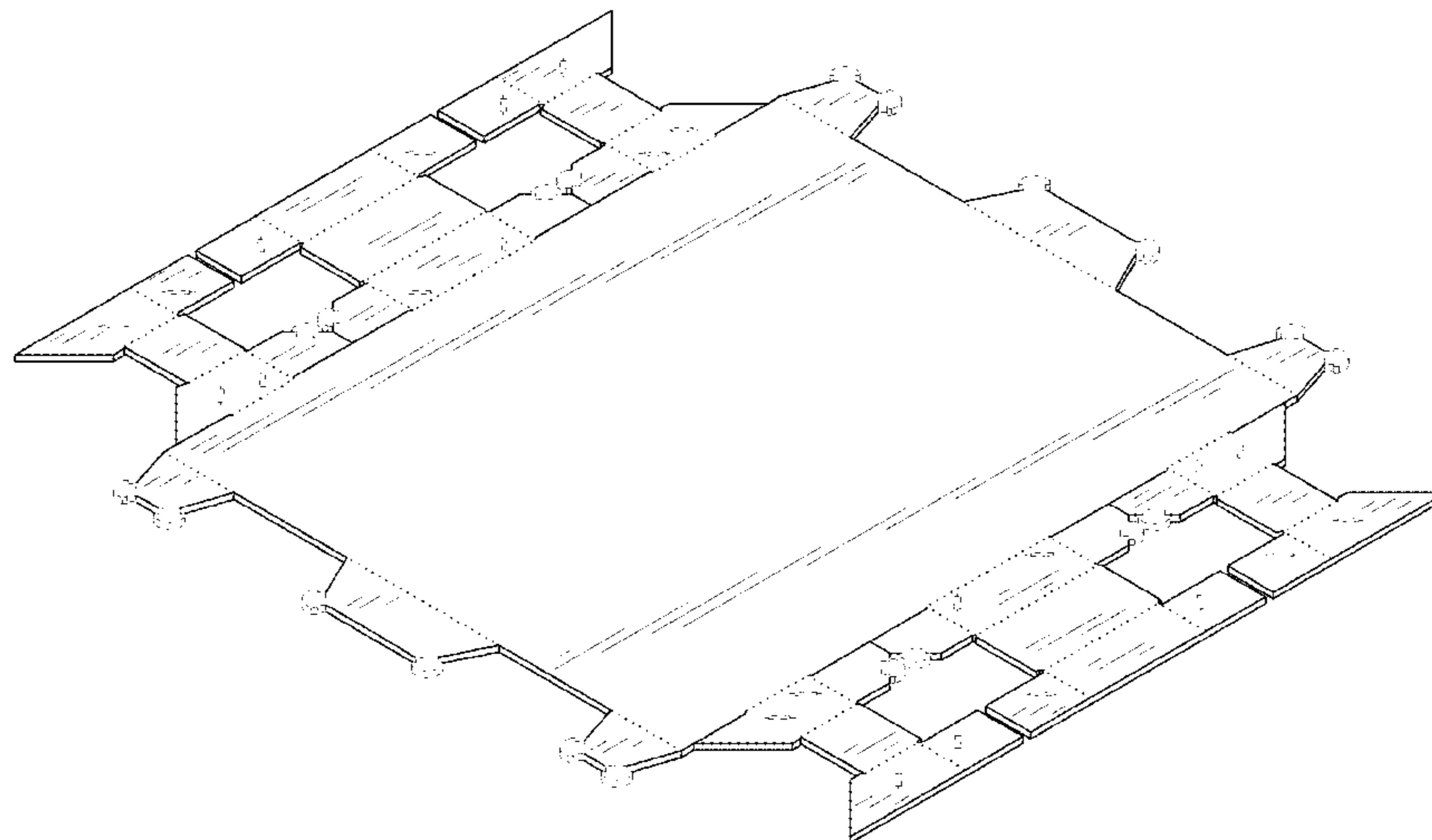
(57) **CLAIM**

We claim the ornamental design for a foldably constructed pallet with angled sidewalls, as shown and described.

DESCRIPTION

FIG. 1 is a top front isometric view of the top of a foldably constructed pallet with angled sidewalls in an unfolded configuration, showing our new design;
FIG. 2 is a top plan view of FIG. 1;
FIG. 3 is a bottom plan view of FIG. 1;
FIG. 4 is a front elevation view of FIG. 1;
FIG. 5 is a rear elevation view of FIG. 1;
FIG. 6 is a left side elevation view of FIG. 1;
FIG. 7 is a right side elevation view of FIG. 1;
FIG. 8 is a top front isometric view of the bottom of a foldably constructed pallet with angled sidewalls in an unfolded configuration;
FIG. 9 is a top plan view of FIG. 8;
FIG. 10 is a bottom plan view of FIG. 8;
FIG. 11 is a front elevation view of FIG. 8;
FIG. 12 is a rear elevation view of FIG. 8;
FIG. 13 is a left side elevation view of FIG. 8;
FIG. 14 is a right side elevation view of FIG. 8;
FIG. 15 is an exploded view of a foldably constructed pallet with angled sidewalls constructed by folding the top of FIG. 1 and the bottom of FIG. 8 along the fold lines shown by the dotted lines and connecting the top and the bottom together; and,
FIG. 16 is a top front isometric view of a foldably constructed pallet with angled sidewalls by connecting the top of FIG. 1 and the bottom of FIG. 8 together.
The dotted lines are for the purpose of illustrating the fold lines of the foldably constructed pallet with angled sidewalls. The broken lines shown in the figures are for the purpose of illustrating boundaries of the design and form o part of the claimed design.

1 Claim, 10 Drawing Sheets



- (58) **Field of Classification Search**
 USPC 108/57.25, 57.28; 229/110, 113, 117,
 229/117.05, 120.11, 122.21, 122.28,
 229/125.26; 248/346.02
 CPC B65D 19/38; B65D 2519/00273; B65D
 2519/00288; B65D 2519/00373; B65D
 2519/00796; B65D 2519/00815
 See application file for complete search history.

(56) **References Cited**

U.S. PATENT DOCUMENTS

2,709,559 A 5/1955 Geisler
 2,908,464 A 10/1959 Traudt et al.
 3,026,078 A 3/1962 Simkins
 3,216,376 A 11/1965 Anderson et al.
 3,302,593 A 2/1967 Roberts
 3,308,772 A 3/1967 Thomas, Jr.
 3,464,370 A 9/1969 Martin
 3,952,672 A 4/1976 Gordon et al.
 4,085,847 A 4/1978 Jacalone
 4,100,859 A 7/1978 Clark, Jr.
 D249,872 S 10/1978 Booth et al.
 4,226,192 A * 10/1980 Myers B65D 19/0018
 108/53.1
 4,378,743 A * 4/1983 McFarland B65D 19/0097
 108/51.3
 4,433,807 A 2/1984 Ganz
 D283,456 S 4/1986 Kero et al.
 D288,977 S 3/1987 Wind
 4,717,025 A 1/1988 Maurer
 4,875,419 A 10/1989 Helton et al.
 4,936,229 A 6/1990 Parnell
 5,176,090 A 1/1993 Roberts et al.
 5,285,732 A 2/1994 Gottlieb
 5,337,679 A 8/1994 Moorman
 5,350,066 A 9/1994 Mendoza et al.
 5,355,812 A 10/1994 Kilpatrick et al.
 5,377,600 A 1/1995 Speese et al.
 5,383,409 A 1/1995 Hayakawa
 5,448,956 A 9/1995 Ong et al.
 5,452,667 A 9/1995 Lim
 5,562,048 A 10/1996 Gottlieb
 5,784,971 A 7/1998 Chang
 5,809,906 A 9/1998 Janek
 D400,681 S 11/1998 Sadr
 5,881,652 A 3/1999 Besaw
 5,950,546 A 9/1999 Brown et al.
 D421,218 S 2/2000 Roemer et al.
 6,029,582 A 2/2000 Ogilvie, Jr. et al.
 6,070,726 A 6/2000 Graham
 6,116,568 A 9/2000 Rosenblat et al.
 6,173,658 B1 1/2001 Moberg
 6,253,994 B1 7/2001 Mogard
 D453,057 S 1/2002 Sewell
 6,499,206 B1 12/2002 Eure et al.
 6,739,270 B1 5/2004 Sewell
 7,007,613 B2 3/2006 Sketo

7,234,402 B2 6/2007 Olvey et al.
 7,275,489 B1 10/2007 Shuert
 7,303,519 B2 12/2007 Jenkins et al.
 7,328,833 B1 2/2008 Wiley
 7,426,890 B2 9/2008 Olvey
 7,472,474 B2 1/2009 Jaen
 7,484,343 B2 2/2009 Dickner
 D623,821 S 9/2010 Grainger
 D640,922 S 7/2011 Daley et al.
 7,980,184 B2 7/2011 Olvey
 8,033,481 B2 10/2011 Kim
 D663,616 S 7/2012 Martini
 8,261,675 B2 9/2012 Morris
 D668,539 S 10/2012 Barbieri et al.
 8,365,677 B2 2/2013 Olvey
 D679,588 S 4/2013 Martini
 D681,452 S 5/2013 Dennen et al.
 8,479,666 B2 7/2013 Olvey
 D687,706 S 8/2013 Akana et al.
 D717,167 S 11/2014 Stone
 D717,647 S 11/2014 De Pietri Tonelli et al.
 D720,214 S 12/2014 De Pietri Tonelli et al.
 D746,535 S 12/2015 Herbeck
 D746,536 S 12/2015 Herbeck
 D747,193 S 1/2016 Melistas
 D767,849 S * 9/2016 Van de Mark D34/38
 D767,850 S * 9/2016 Van de Mark D34/38
 D775,524 S * 1/2017 Herbeck D9/433
 D776,397 S * 1/2017 Herbeck D34/38
 D776,398 S * 1/2017 Herbeck D34/38
 2001/0025589 A1 10/2001 Moberg
 2002/0069796 A1 6/2002 Olvey et al.
 2002/0112653 A1 8/2002 Moor, Jr. et al.
 2004/0108434 A1 6/2004 Olvey
 2005/0061210 A1 3/2005 Wullenweber
 2005/0098067 A1 5/2005 Sketo
 2005/0247240 A1 11/2005 Nelson
 2006/0225626 A1 10/2006 Olvey et al.
 2007/0068426 A1 3/2007 Teags et al.
 2008/0223262 A1 9/2008 Chew et al.
 2011/0245059 A1 10/2011 Olvey et al.
 2011/0308993 A1 12/2011 Hill et al.
 2012/0312200 A1 12/2012 Monteith
 2013/0180437 A1 7/2013 Wilcox et al.
 2015/0239609 A1 * 8/2015 Olvey B65D 19/0012
 108/51.3
 2015/0284137 A1 10/2015 Olvey et al.
 2017/0137170 A1 * 5/2017 Olvey B65D 19/20

FOREIGN PATENT DOCUMENTS

FR 2867161 A1 9/2005
 WO 0055057 A1 9/2000
 WO 2006094268 A2 9/2006
 WO 2006094311 A2 9/2006
 WO 2011003126 A1 1/2011
 WO 2013136272 A1 9/2013
 WO 2014003823 A1 1/2014
 WO 2014004742 A1 1/2014

* cited by examiner

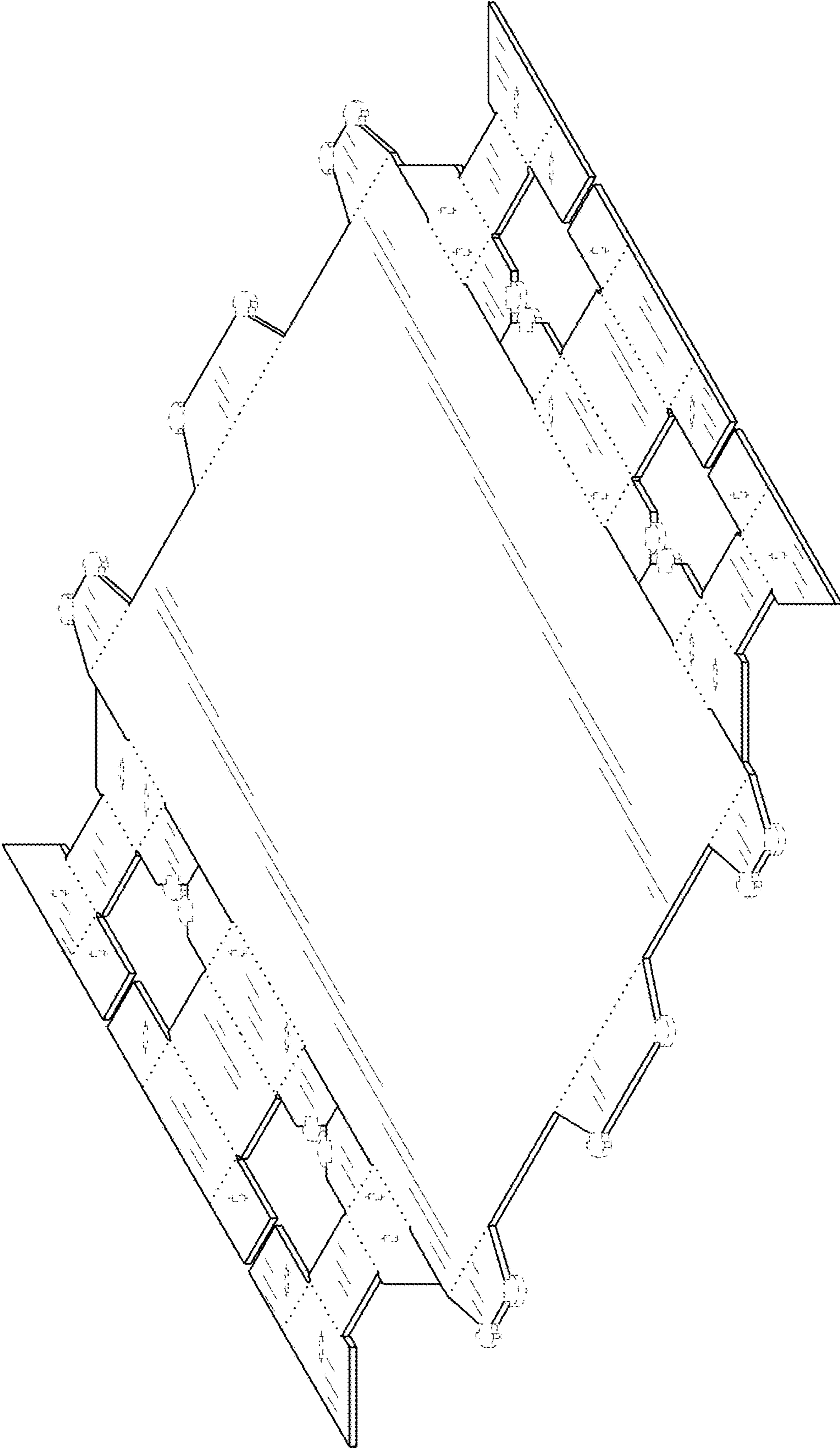


FIG. 1

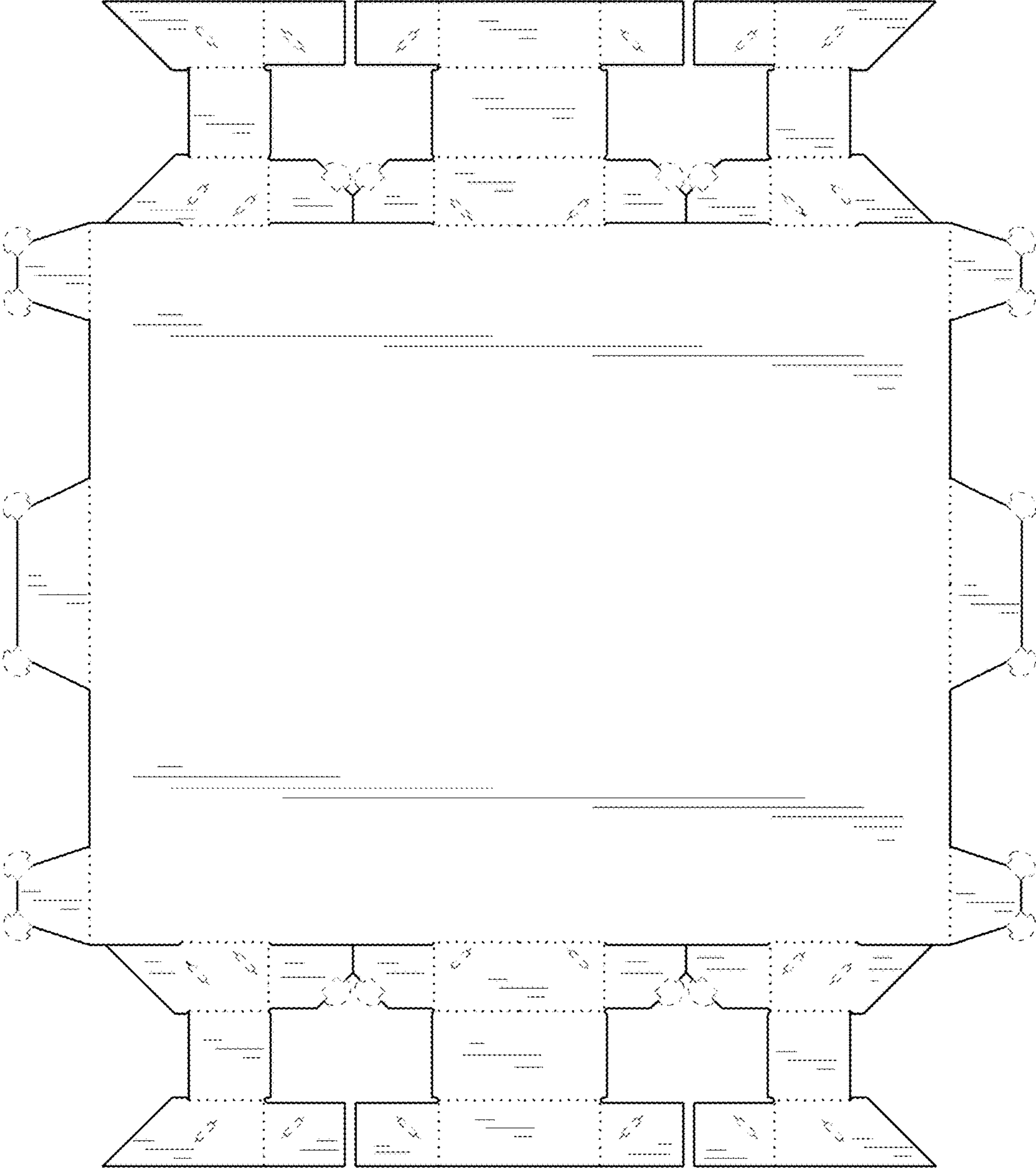


FIG. 2

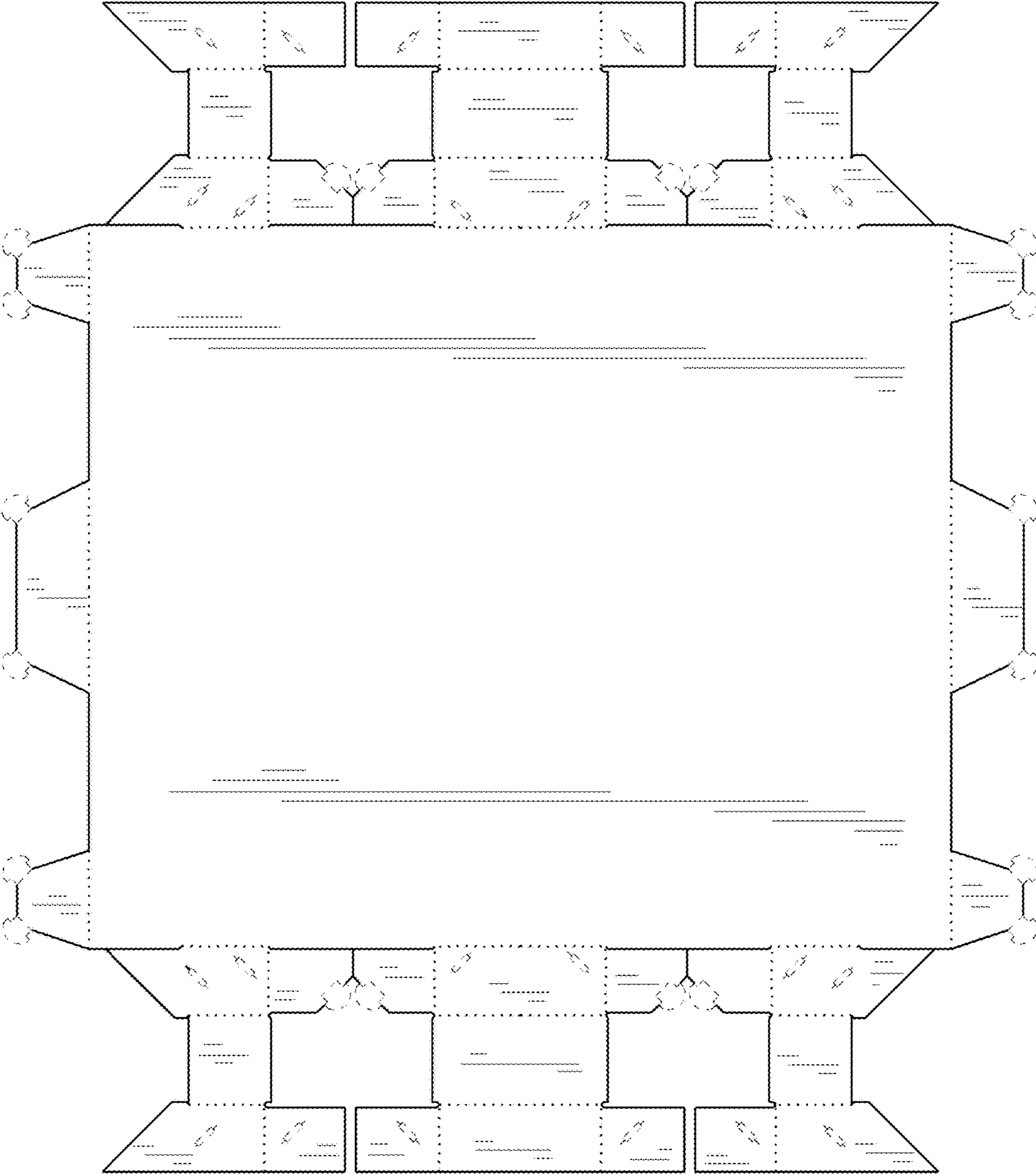


FIG. 3

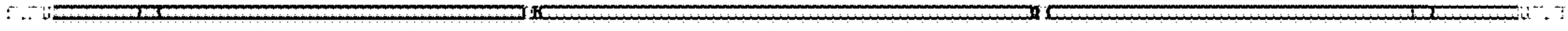


FIG. 4

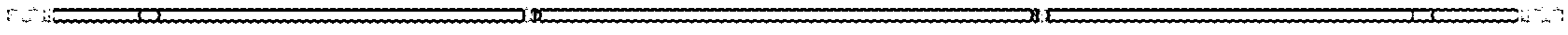


FIG. 5



FIG. 6



FIG. 7

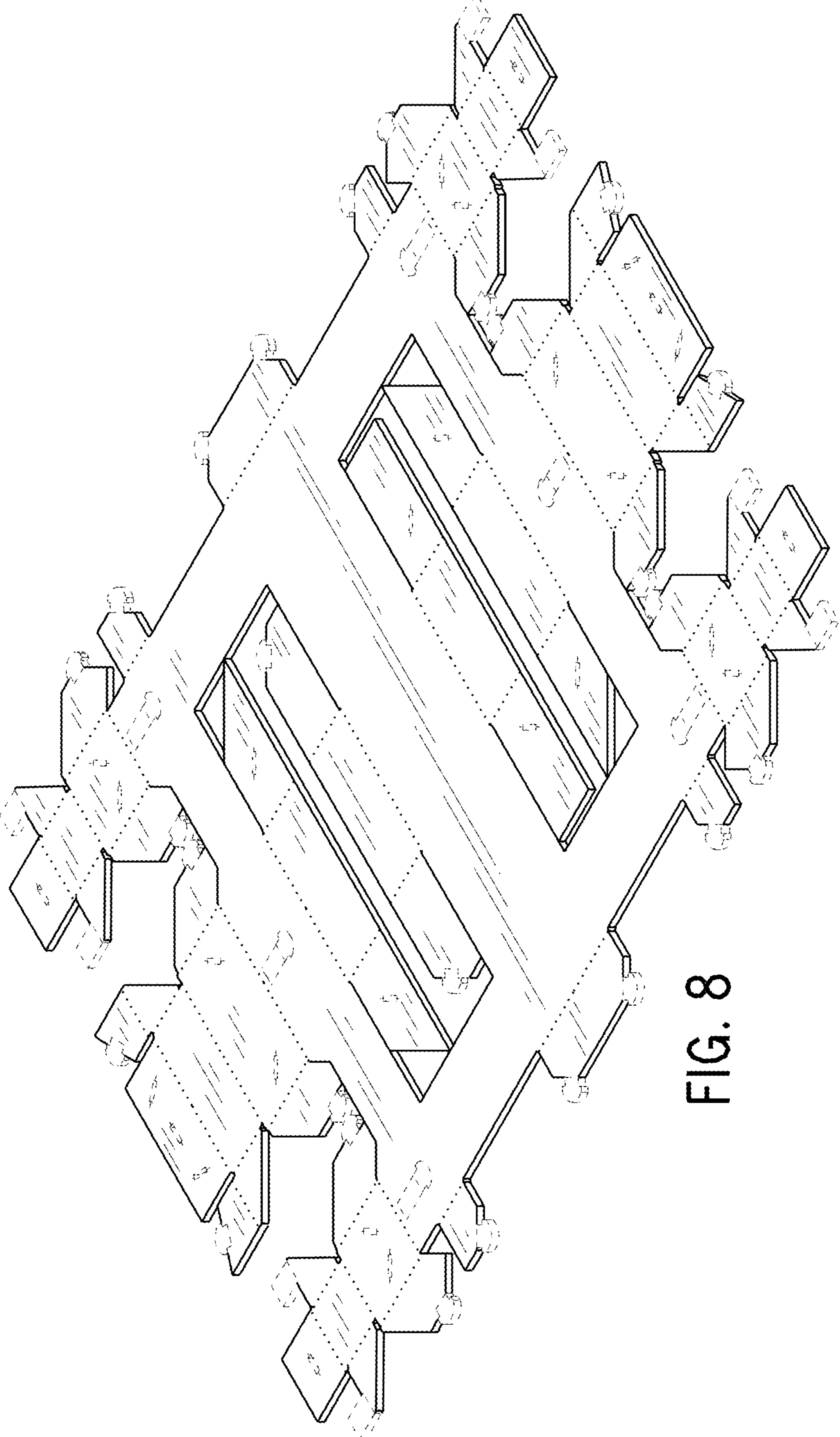


FIG. 8

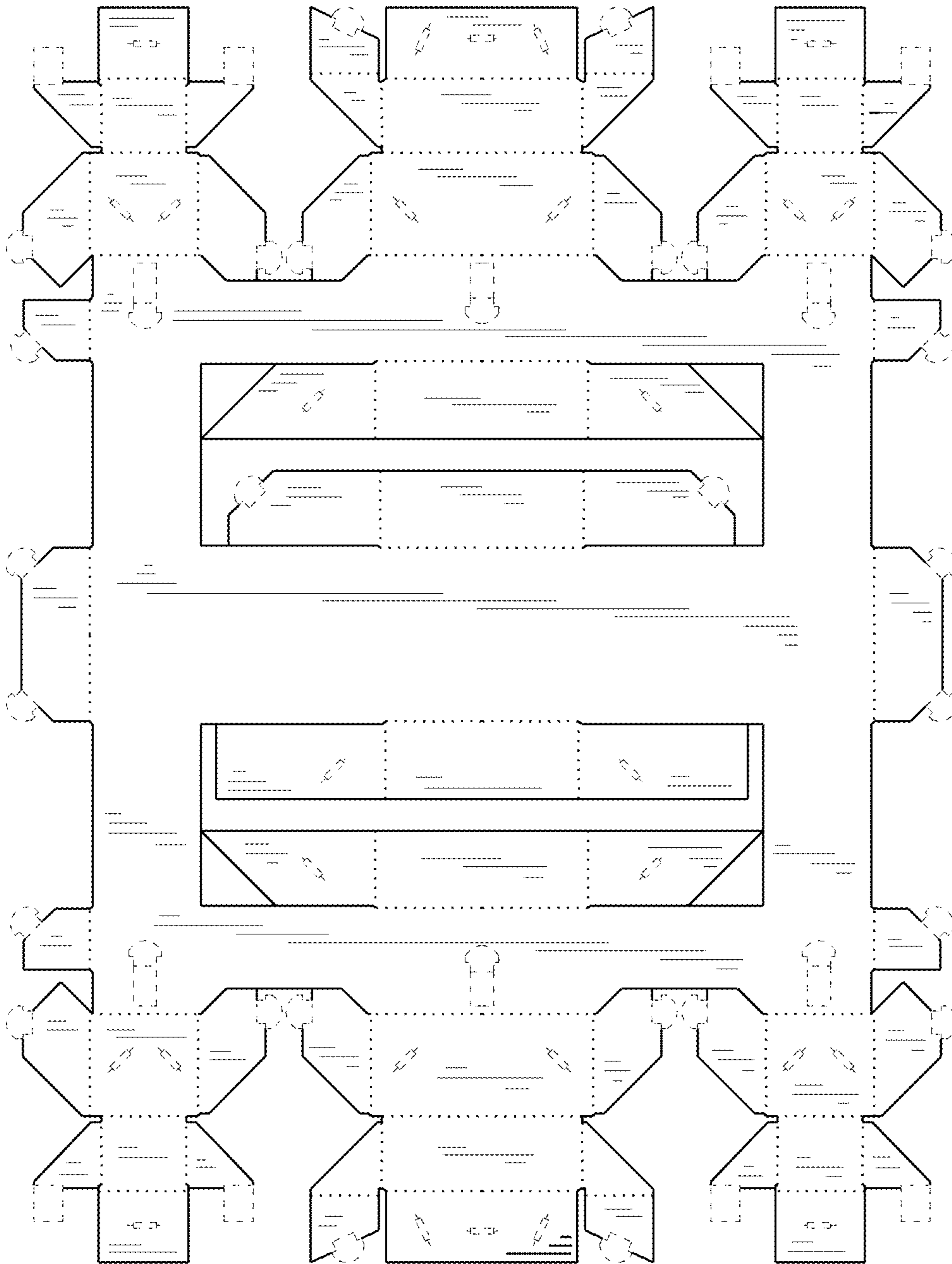


FIG. 9

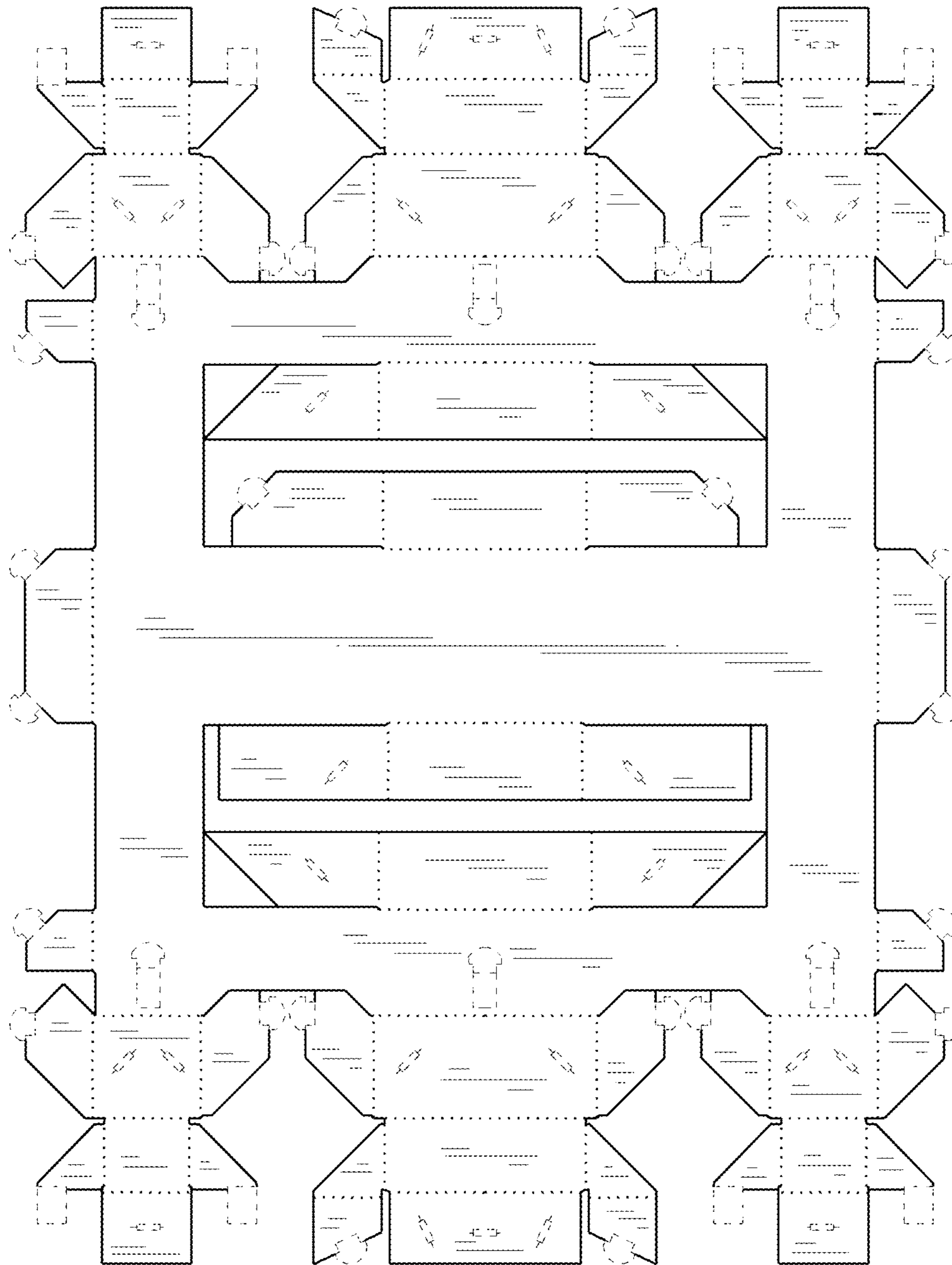


FIG. 10

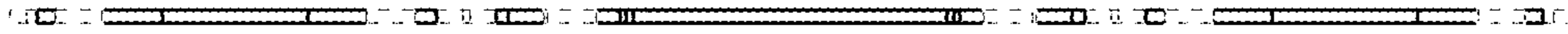


FIG. 11



FIG. 12

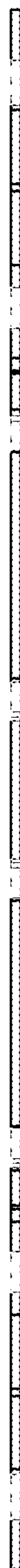


FIG. 13



FIG. 14

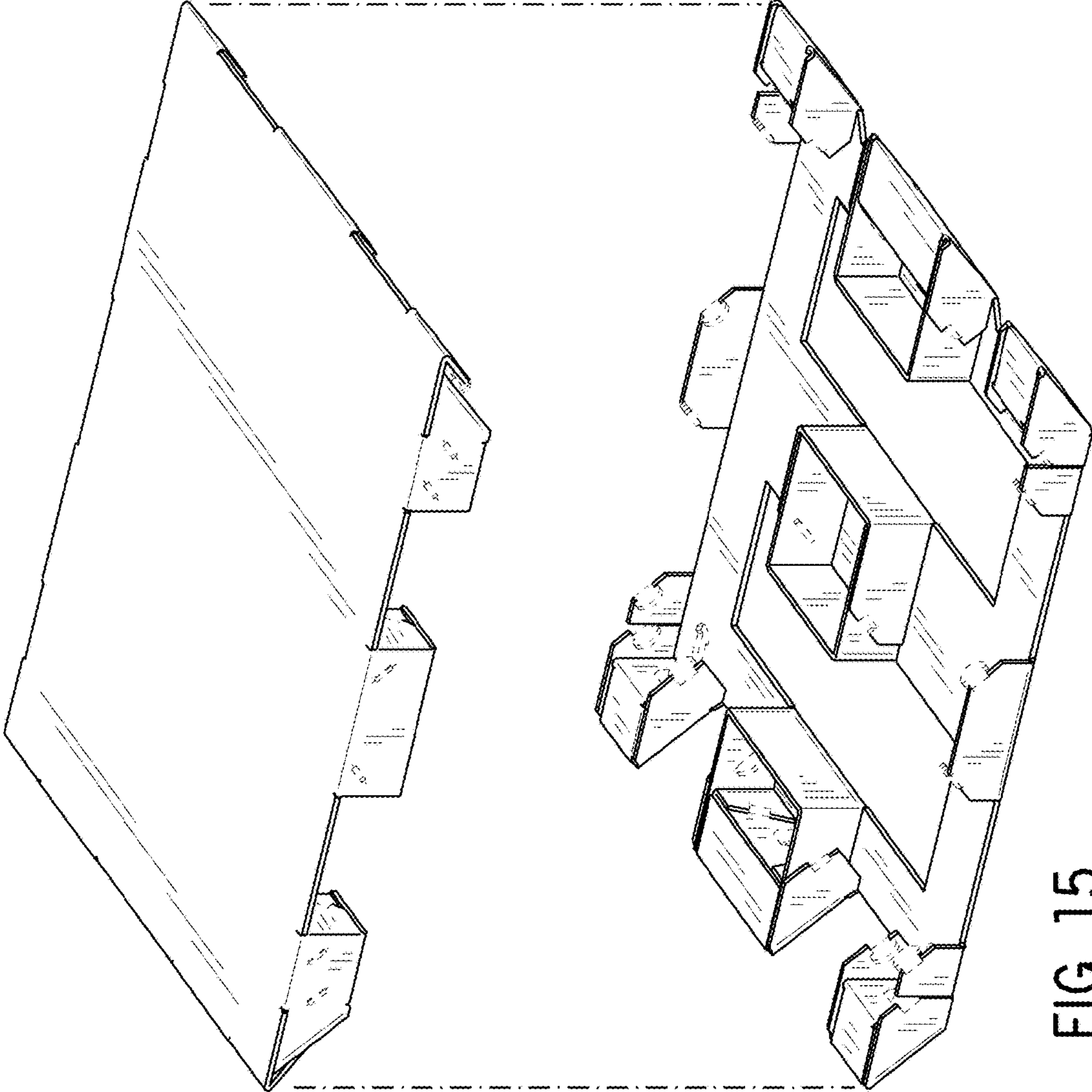


FIG. 15

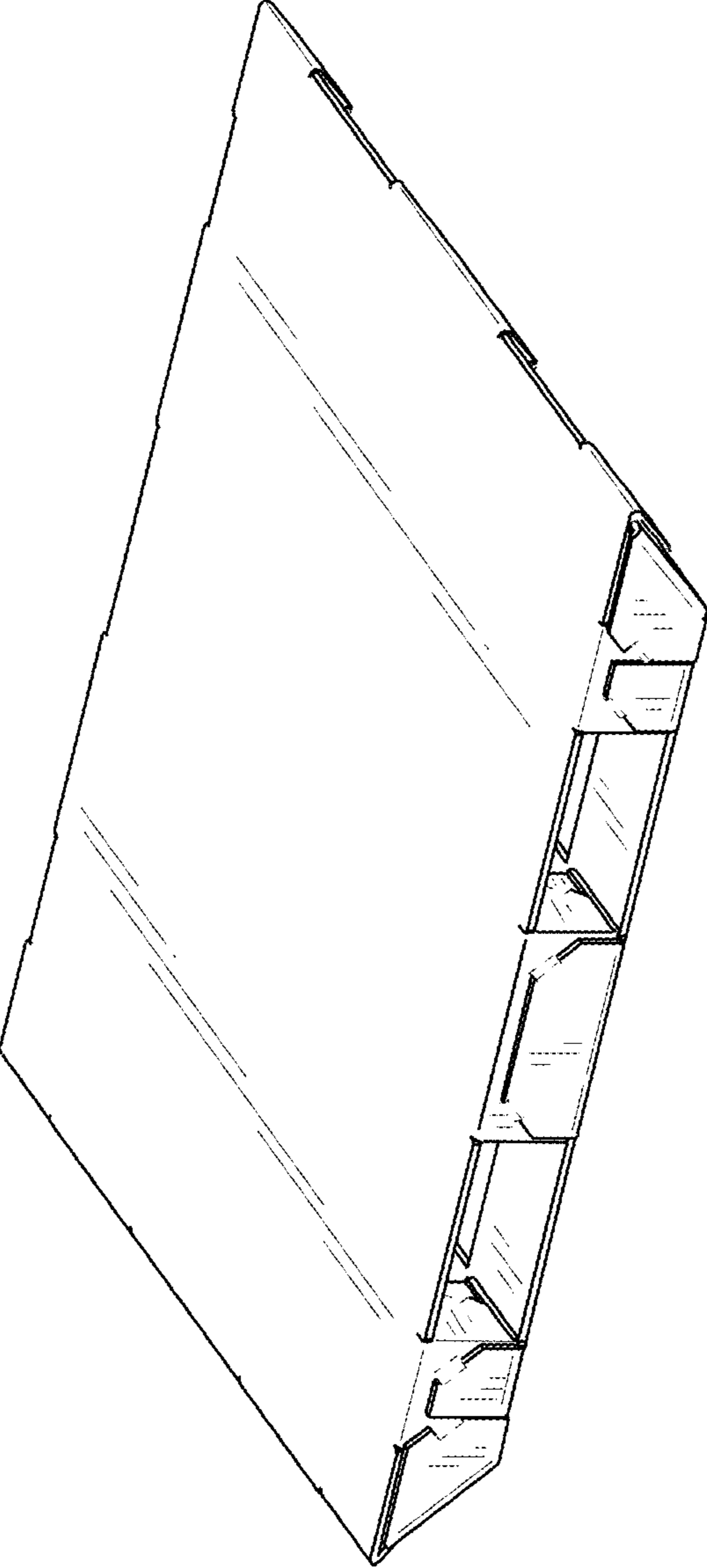


FIG. 16