



US00D800987S

(12) **United States Design Patent** (10) **Patent No.:** **US D800,987 S**
Olivieri (45) **Date of Patent:** **** Oct. 24, 2017**

(54) **SHOPPING LIST ATTACHMENT**

- (71) Applicant: **GALS SHOPPER LLC**, Lagrangeville, NY (US)
- (72) Inventor: **Michael Olivieri**, Lagrangeville, NY (US)
- (73) Assignee: **GALS SHOPPER LLC**, Lagrangeville, NY (US)
- (**) Term: **15 Years**
- (21) Appl. No.: **29/563,636**
- (22) Filed: **May 6, 2016**

Related U.S. Application Data

- (63) Continuation-in-part of application No. 15/060,025, filed on Mar. 3, 2016.
- (51) **LOC (10) Cl.** **12-02**
- (52) **U.S. Cl.**
USPC **D34/27**
- (58) **Field of Classification Search**
USPC D34/27; D3/273, 294, 900; D8/395;
D9/423, 432; D19/65, 88, 90; 206/215;
280/33.991, 33.992
CPC B62B 3/14; B62B 3/144; B62B 3/1452;
B62B 5/06; B62B 5/069; B62B 5/0423;
B62B 5/0485
See application file for complete search history.

(56) **References Cited**

U.S. PATENT DOCUMENTS

- 3,881,267 A 5/1975 Hicks
- 4,274,567 A * 6/1981 Sawyer A45C 15/02
108/44
- D284,610 S * 7/1986 Harris D34/27
- 5,192,041 A 3/1993 Bryant
- D352,588 S * 11/1994 Orphan D34/27
- D352,589 S * 11/1994 Kennedy D19/88
- D355,063 S * 1/1995 Pirnat D19/88

(Continued)

OTHER PUBLICATIONS

www.engageinstore.com, defunct internet webpage, past versions of webpage accessible via www.archive.org's internet wayback machine.

Primary Examiner — Cynthia Ramirez

(74) *Attorney, Agent, or Firm* — Robert M Cox, Esq

(57) **CLAIM**

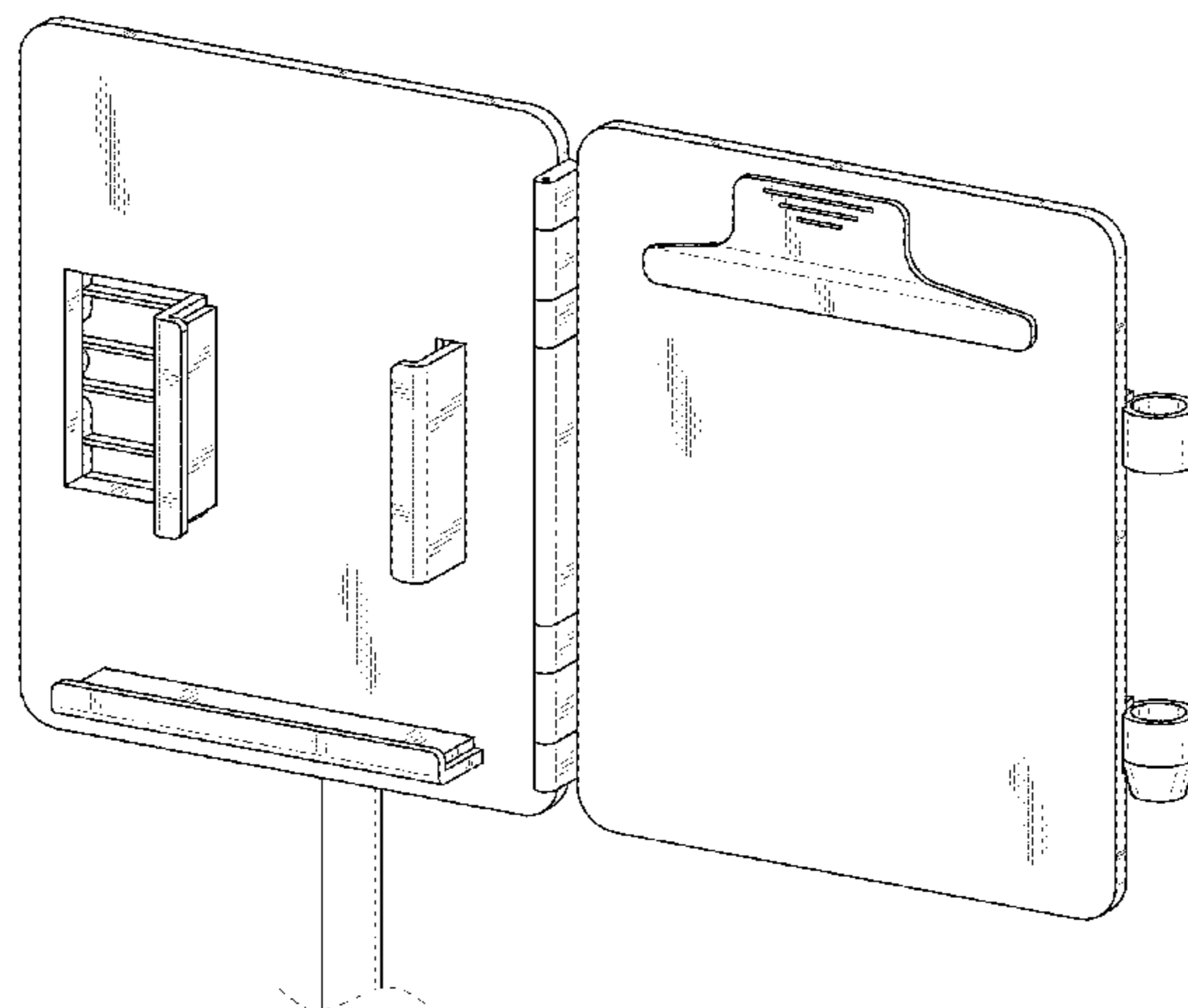
The ornamental design for a shopping list attachment, as shown and described.

DESCRIPTION

FIG. 1 is a front perspective view of one embodiment of a shopping list attachment in the open position showing the new design;
 FIG. 2 is a rear perspective view thereof;
 FIG. 3 is a front view thereof;
 FIG. 4 is a rear view thereof;
 FIG. 5 is a side view thereof;
 FIG. 6 is another side view thereof;
 FIG. 7 is a top view thereof;
 FIG. 8 is a bottom view thereof;
 FIG. 9 is a front perspective view of another embodiment of a shopping list attachment in the open position showing the new design;
 FIG. 10 is a rear perspective view thereof;
 FIG. 11 is a front view thereof;
 FIG. 12 is a rear view thereof;
 FIG. 13 is a side view thereof;
 FIG. 14 is another side view thereof;
 FIG. 15 is a top view thereof; and,
 FIG. 16 is a bottom view thereof.

The broken lines show portions of the shopping list attachment which form no part of the claimed design. The shade lines in the Figures show contour and not surface ornamentation.

1 Claim, 12 Drawing Sheets



(56)

References Cited

U.S. PATENT DOCUMENTS

D391,730 S *	3/1998	Wang	D34/15
D411,904 S *	7/1999	Risholm	D34/27
6,299,119 B1	10/2001	Dunning	
D475,412 S *	6/2003	Henshaw	D19/88
D611,542 S *	3/2010	Chen	D19/88
D636,818 S *	4/2011	Leung	D19/88
D697,554 S *	1/2014	Lee	D19/88
2011/0080660 A1	4/2011	Kerle	

* cited by examiner

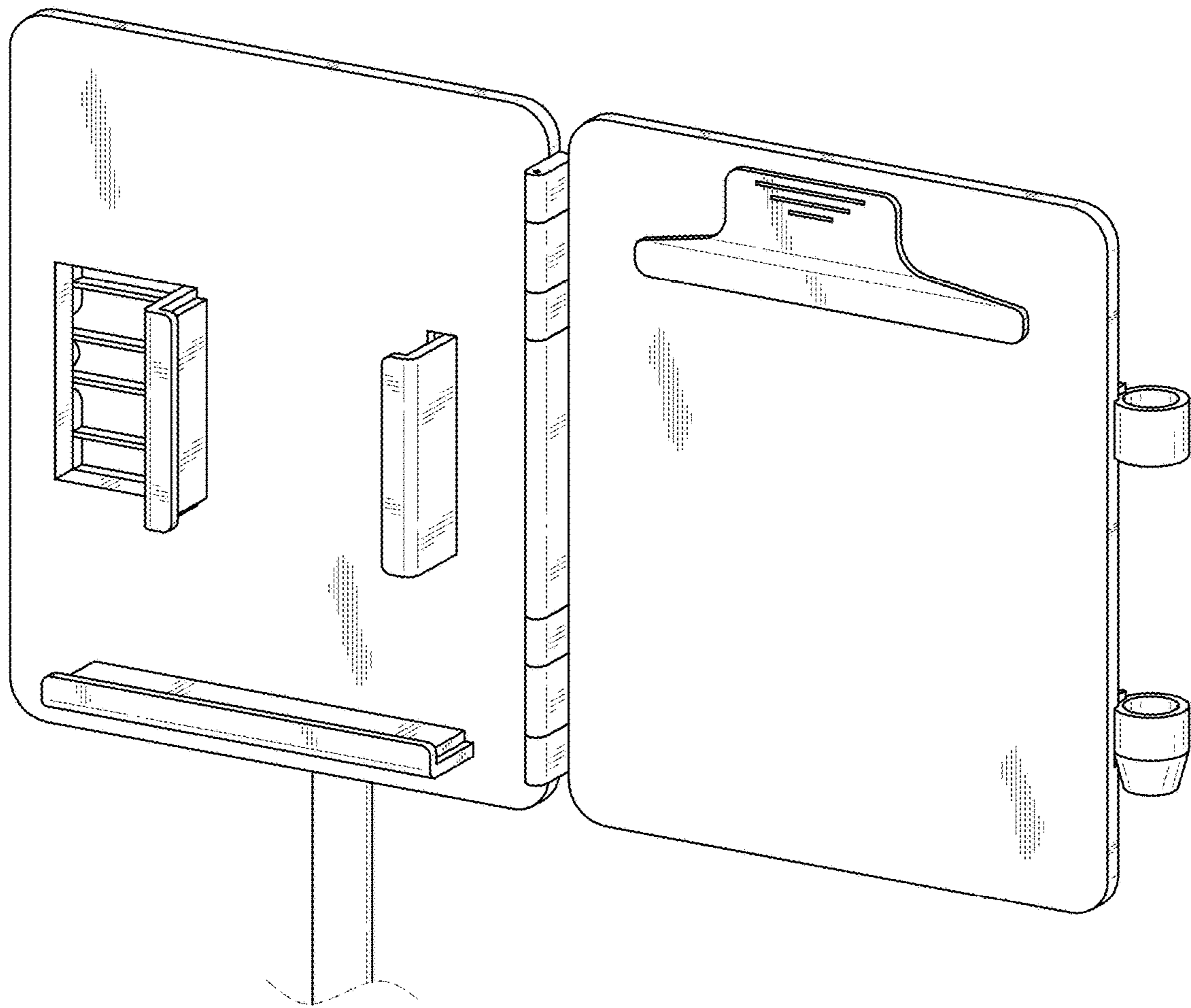


FIG. 1

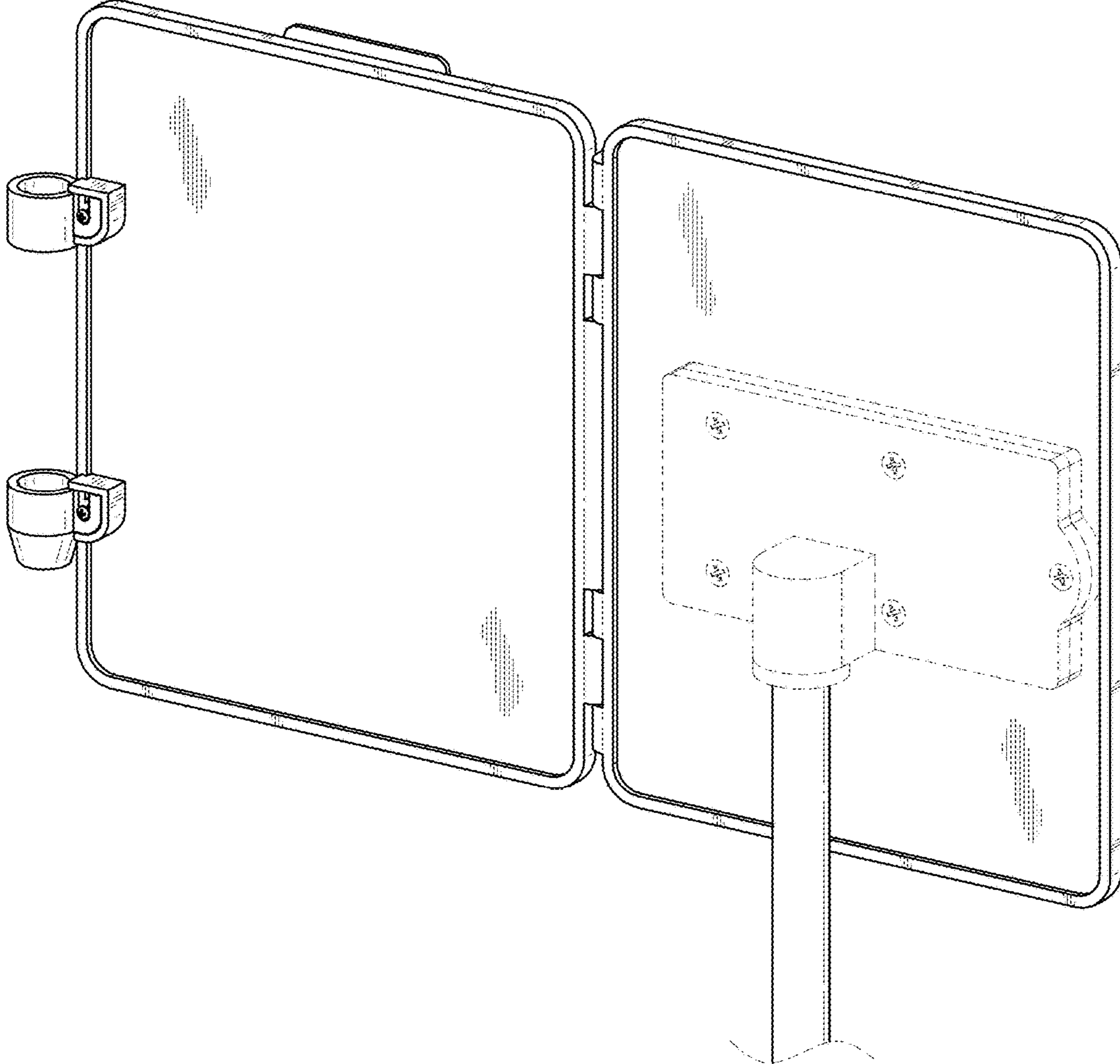


FIG. 2

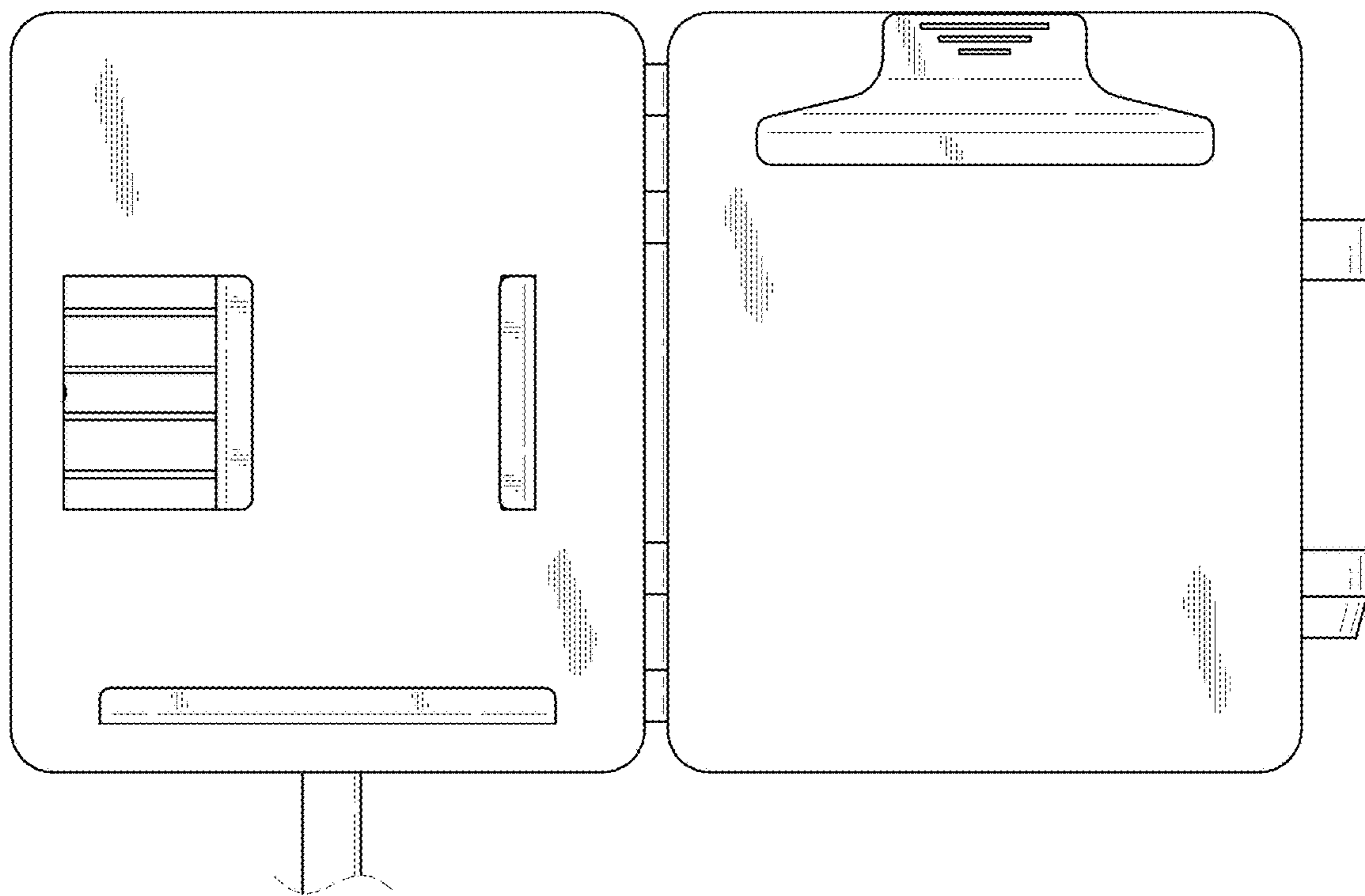


FIG. 3

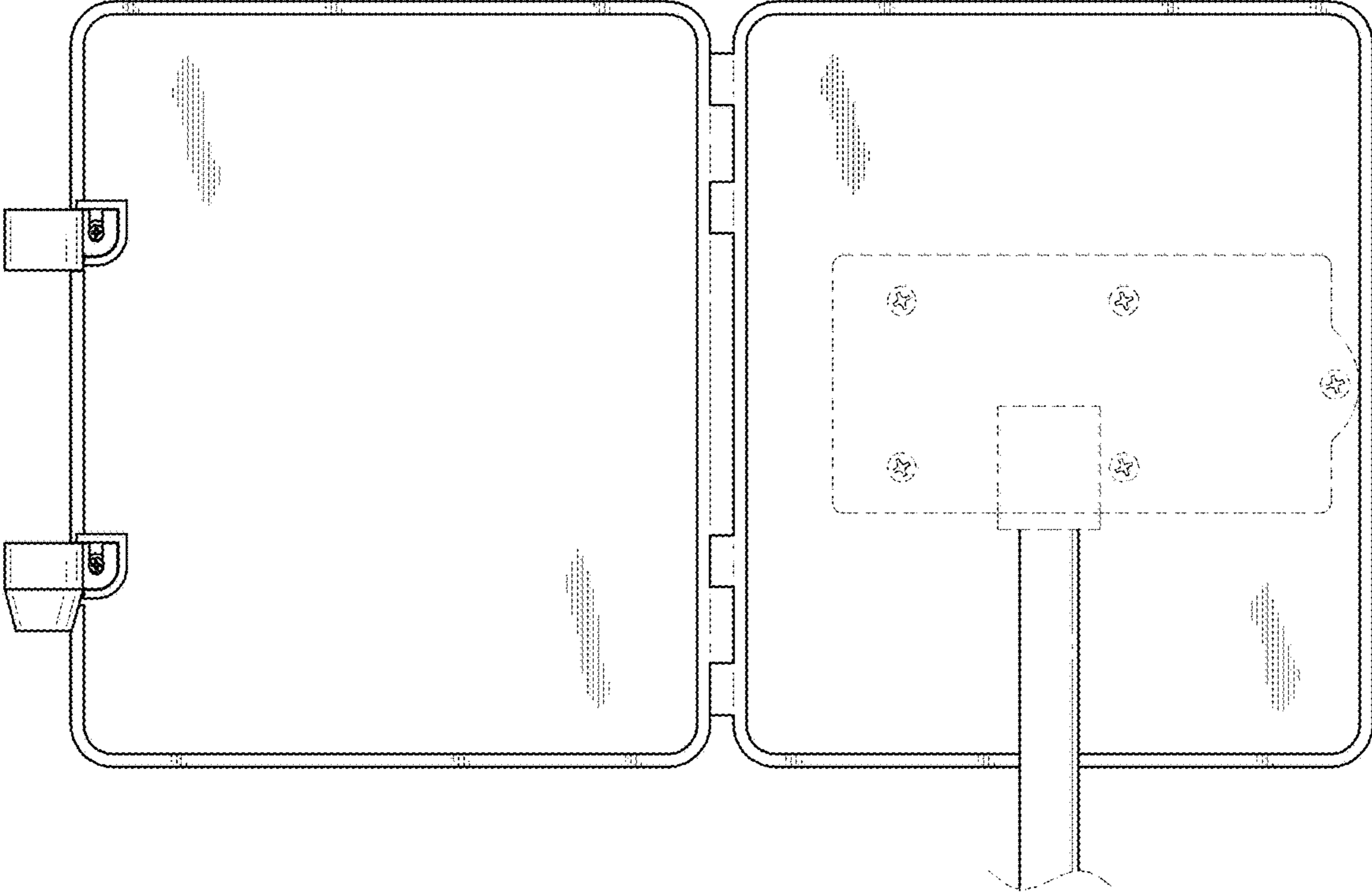


FIG. 4

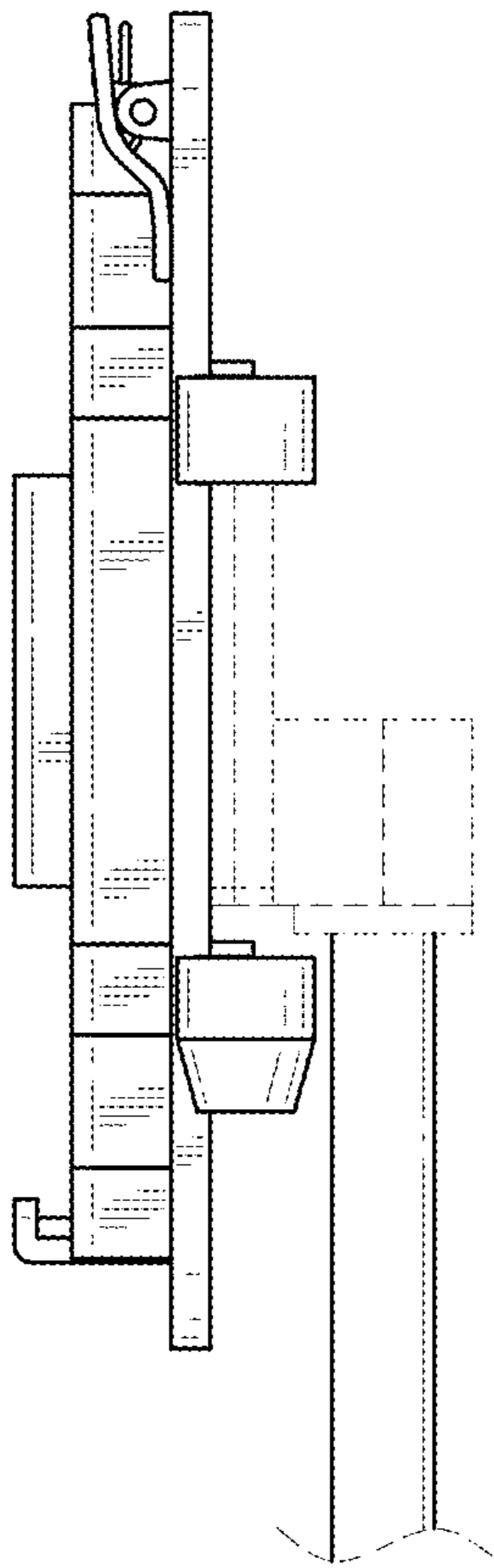


FIG. 5

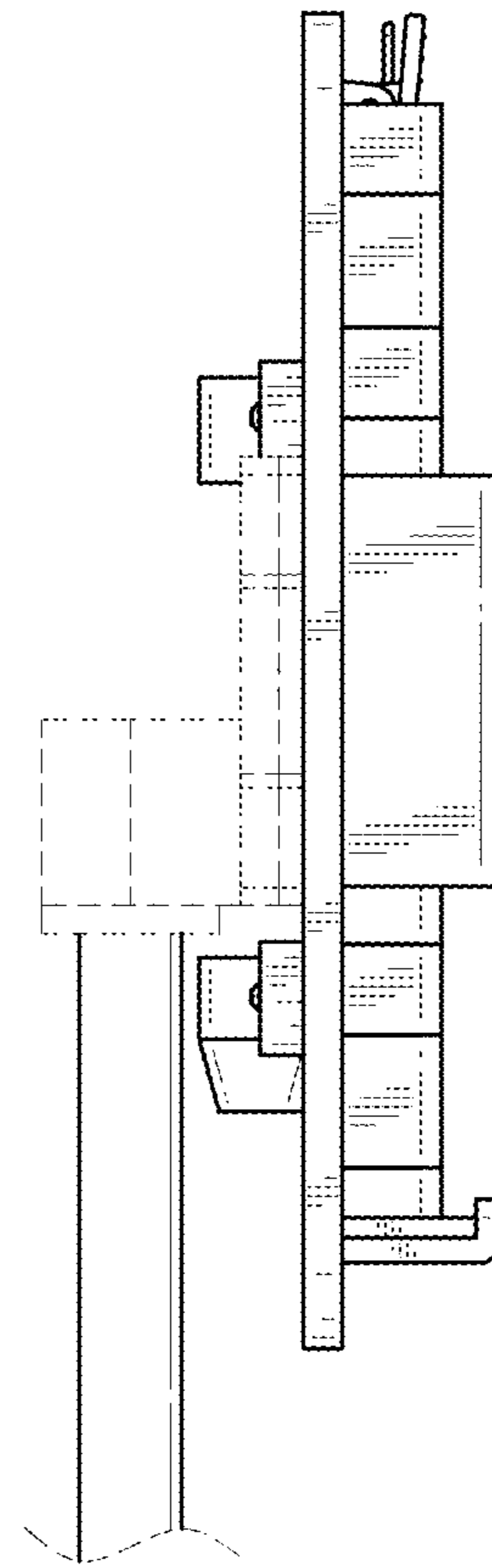


FIG. 6

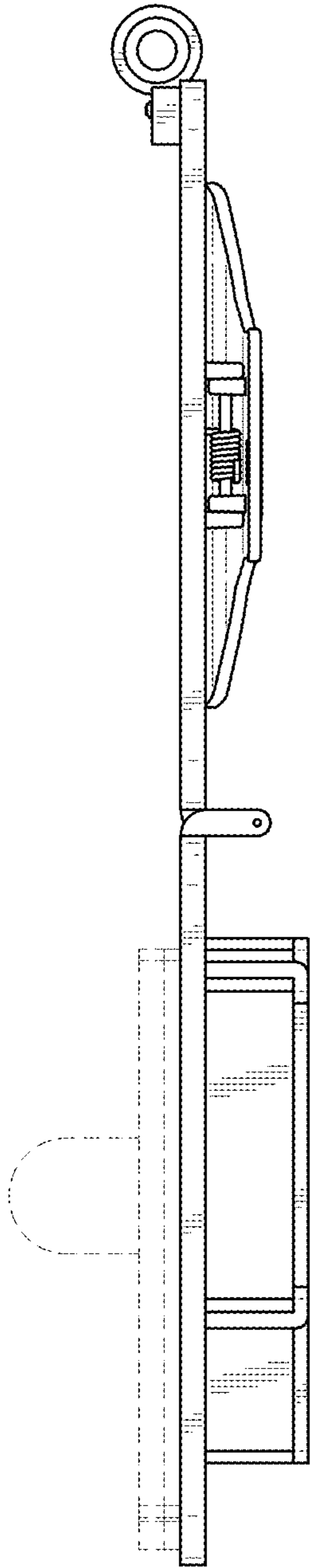


FIG. 7

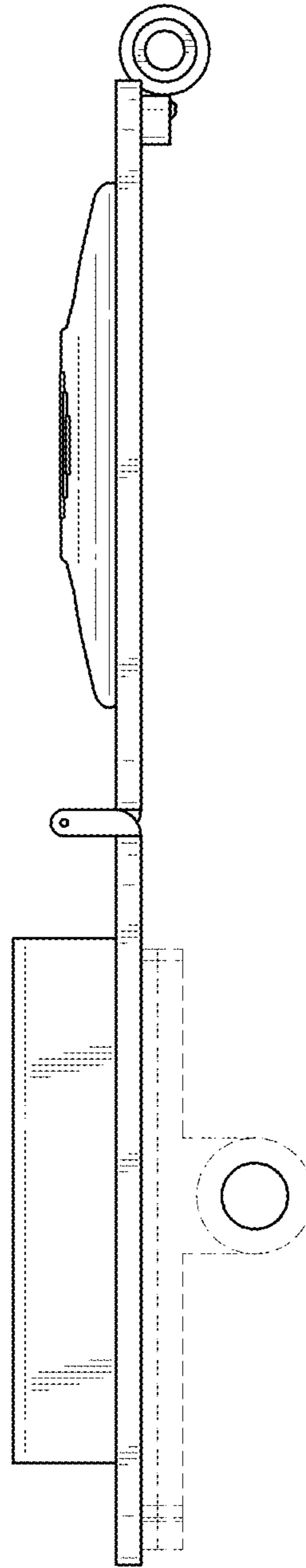


FIG. 8

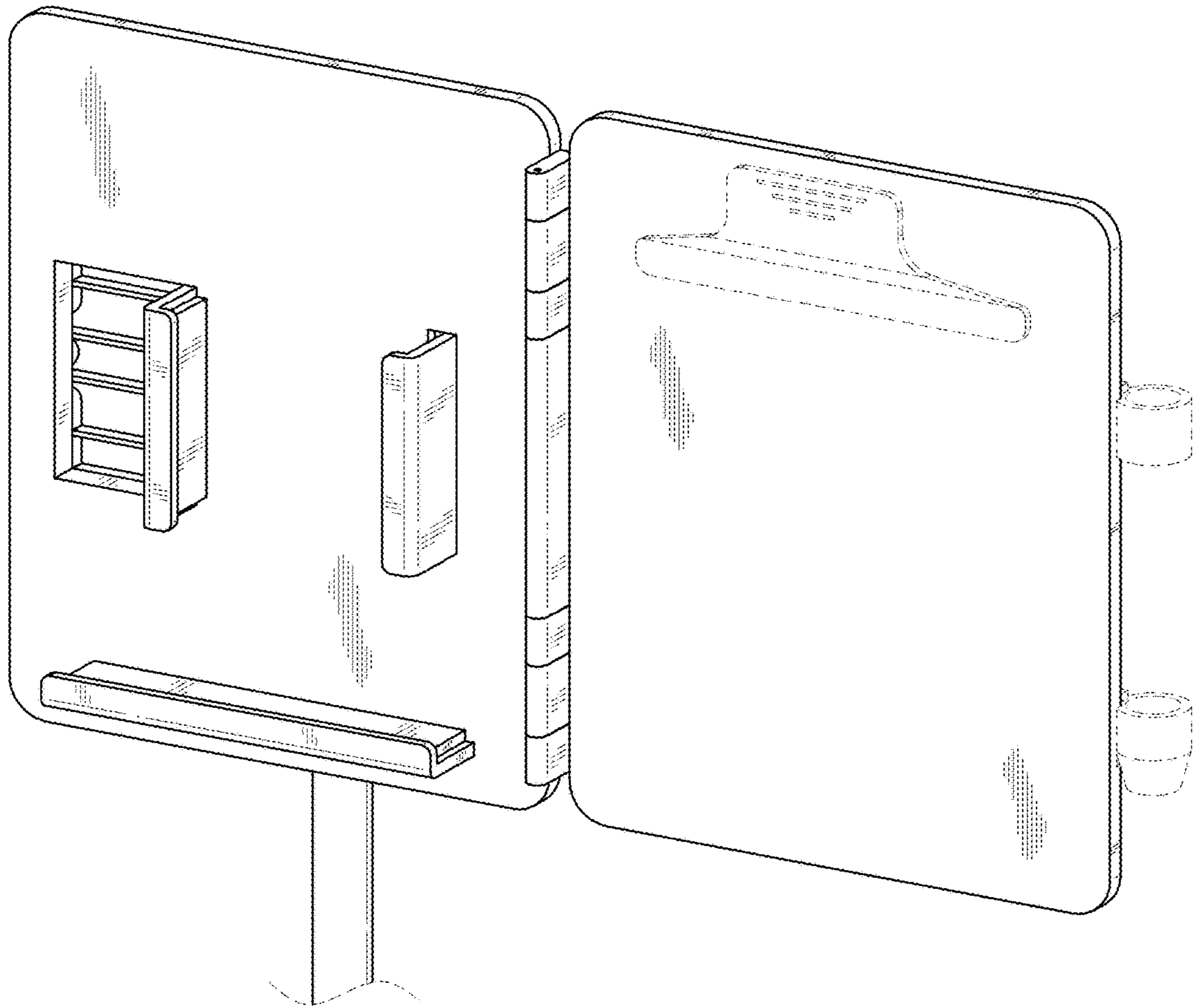


FIG. 9

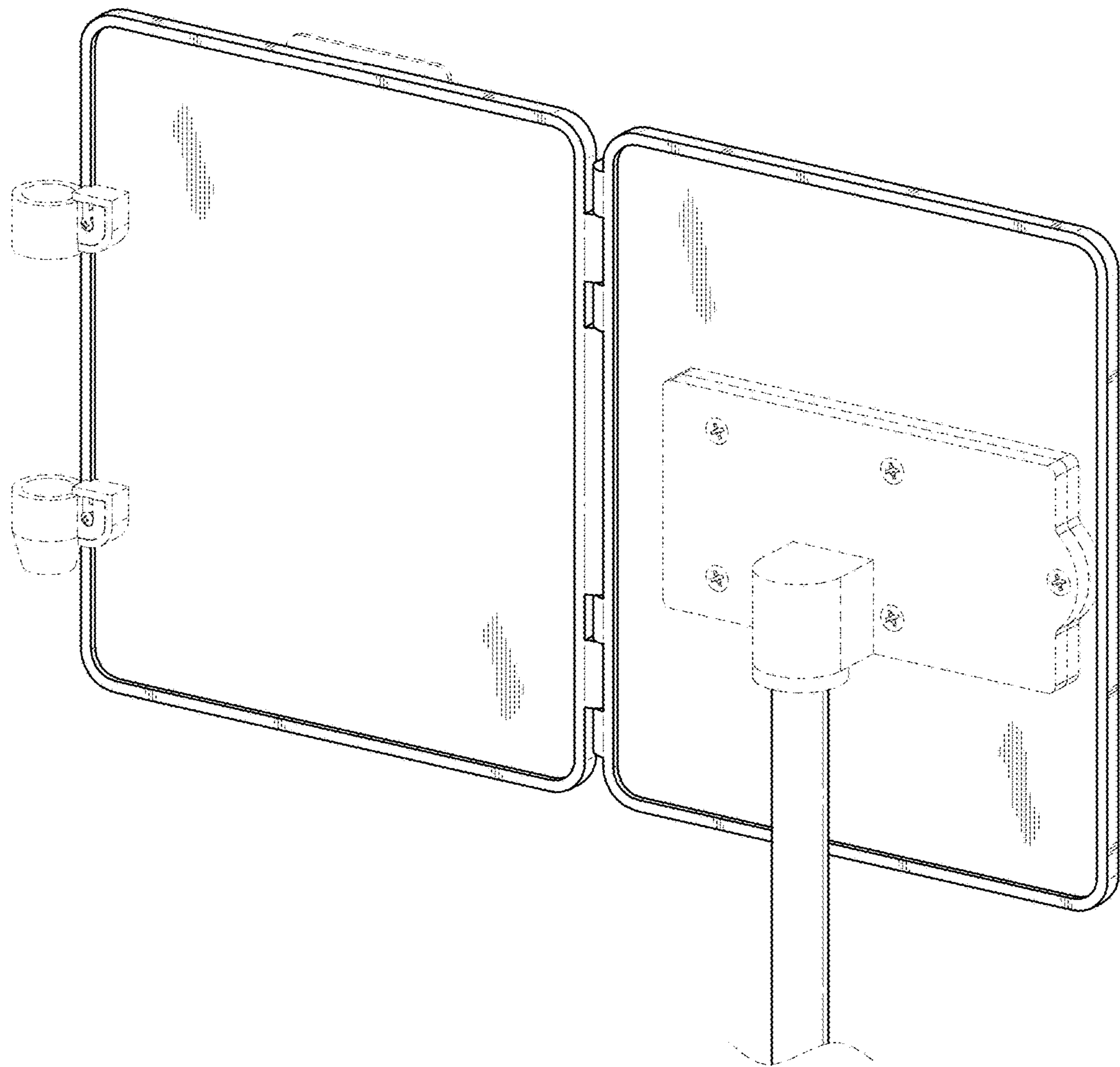


FIG. 10

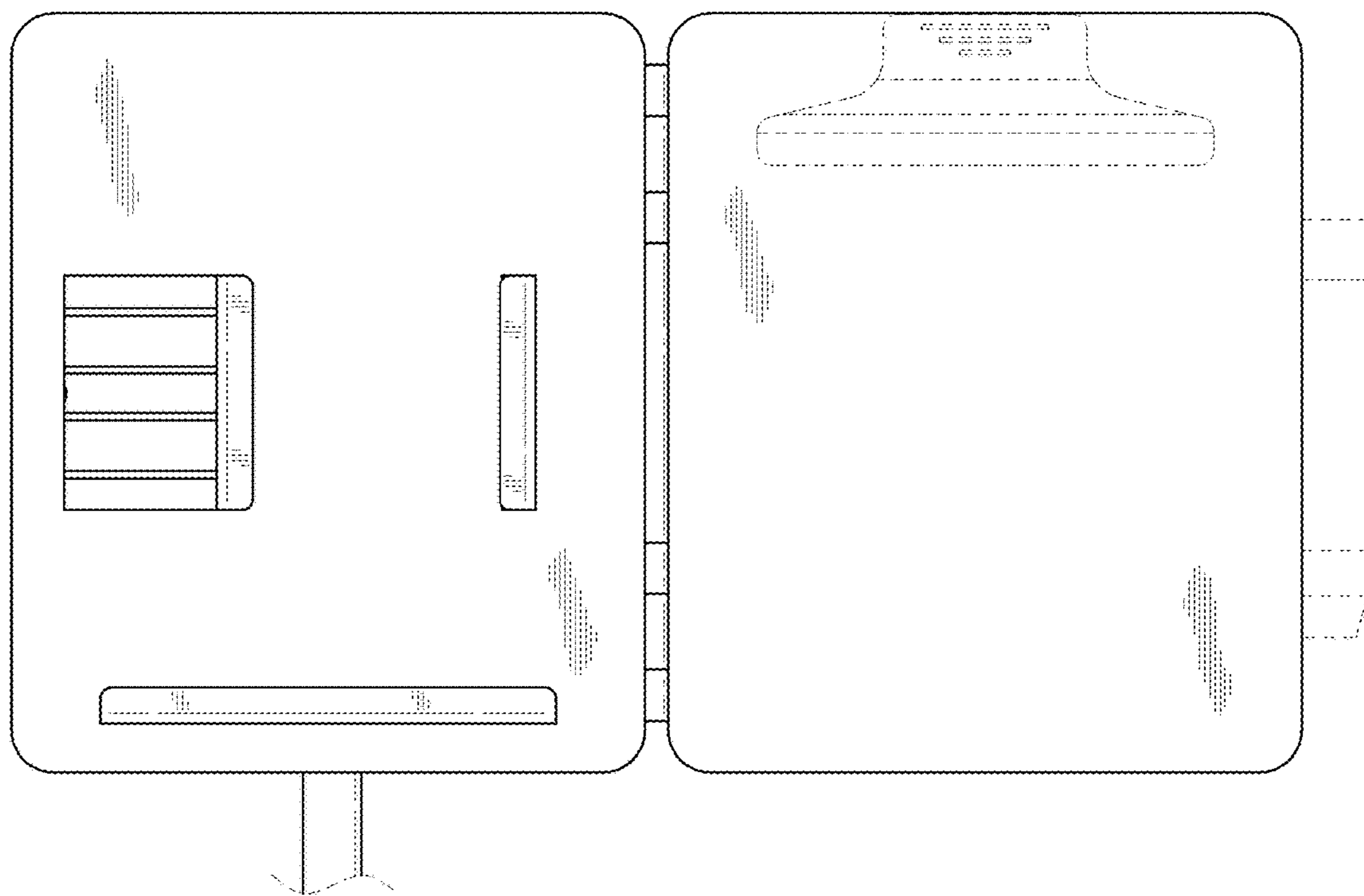


FIG. 11

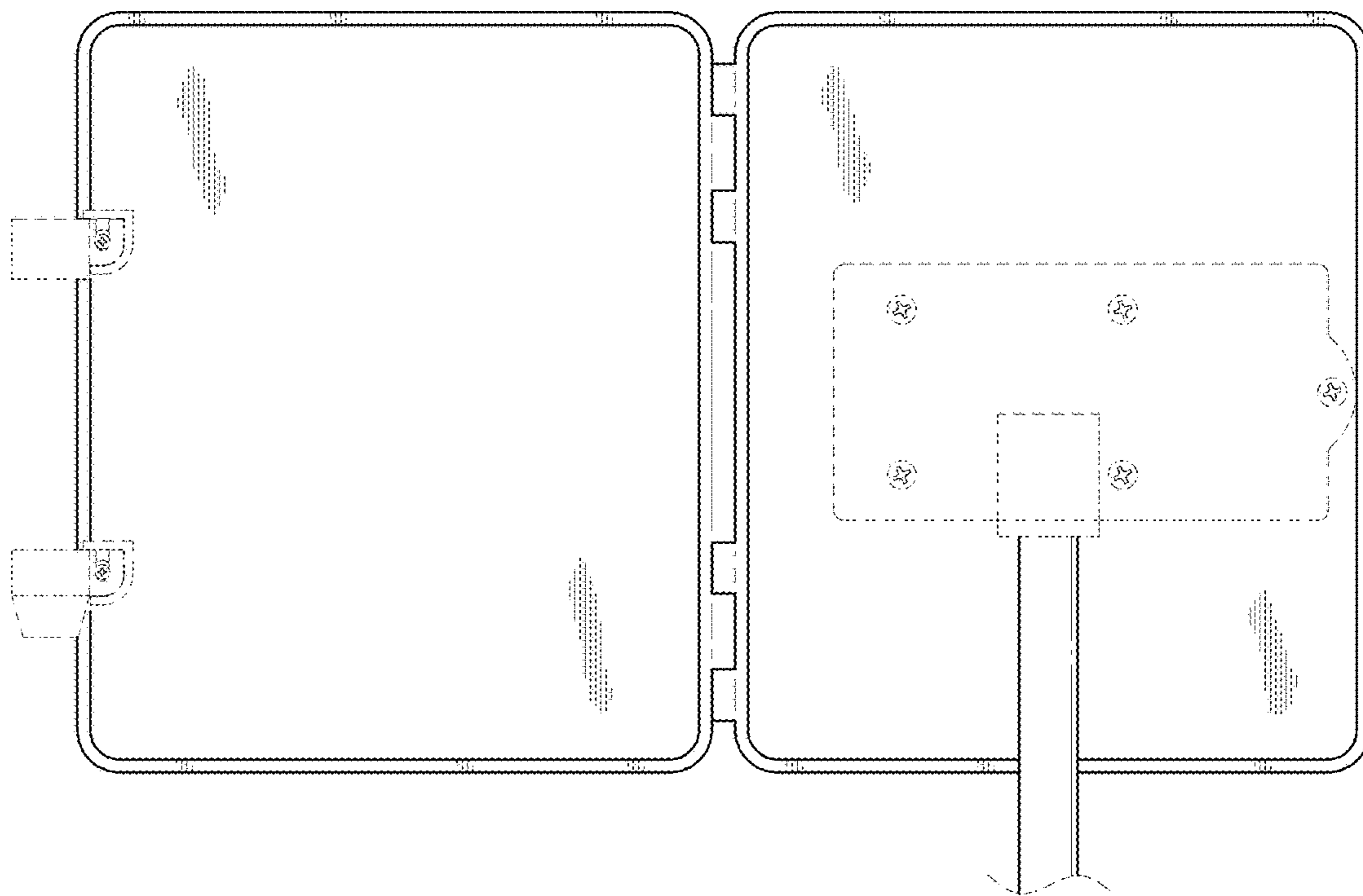


FIG. 12

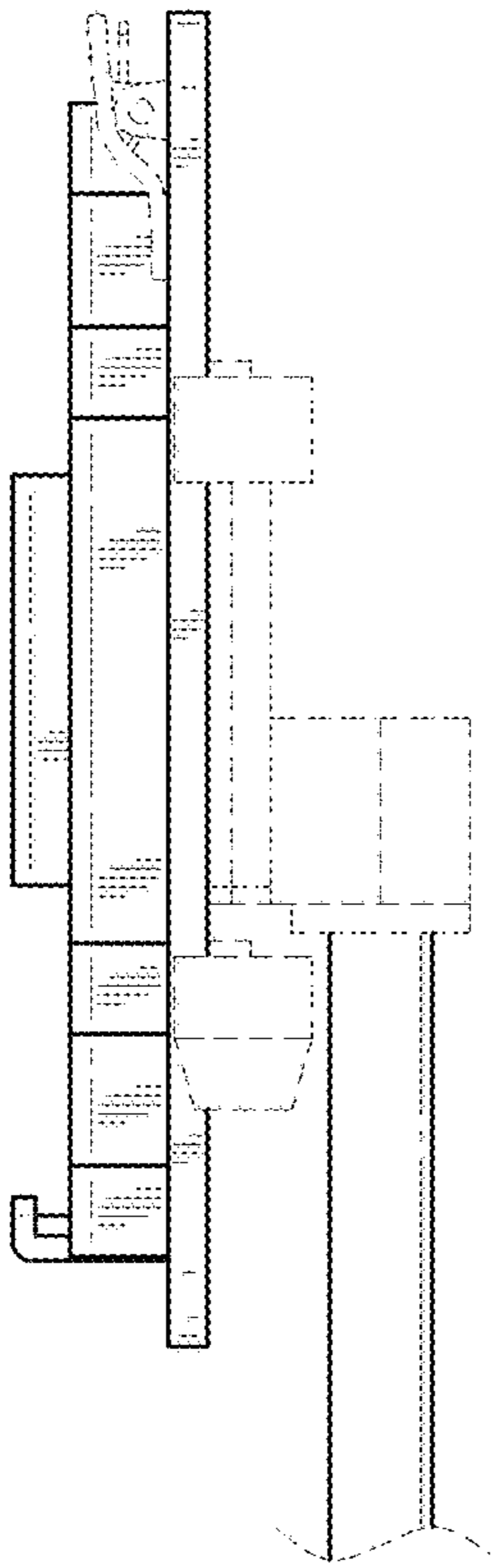


FIG. 13

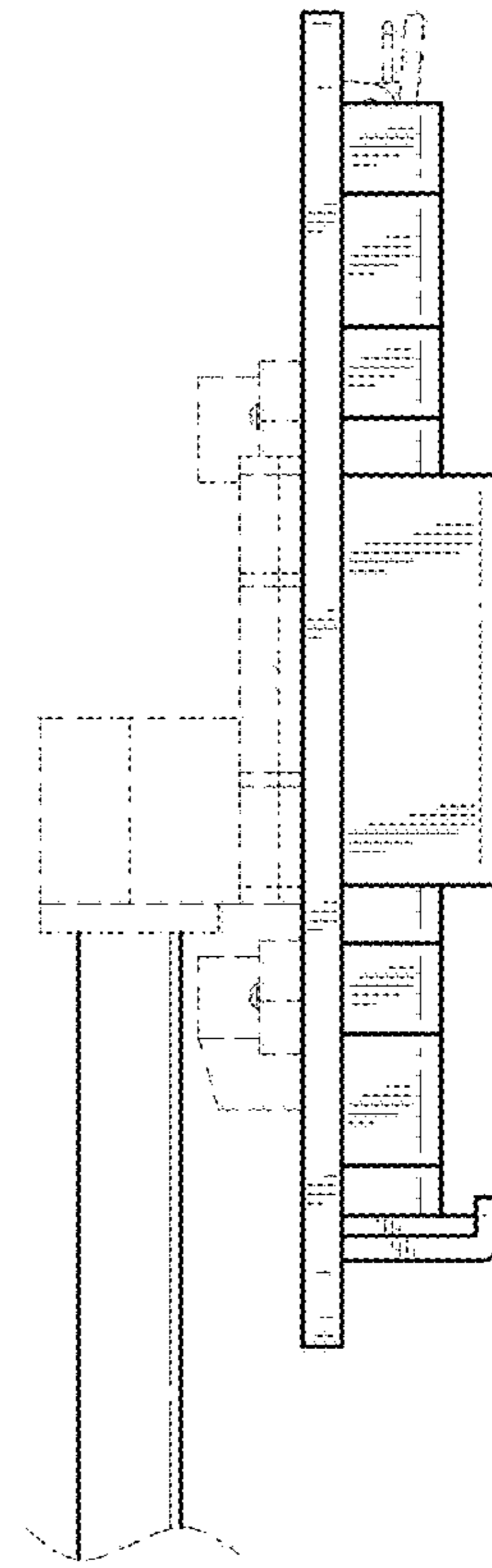


FIG. 14

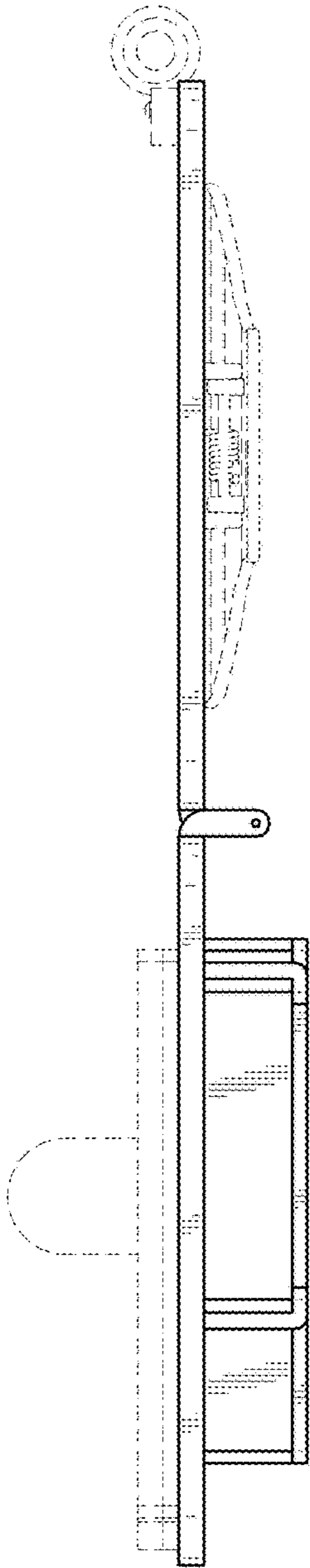


FIG. 15

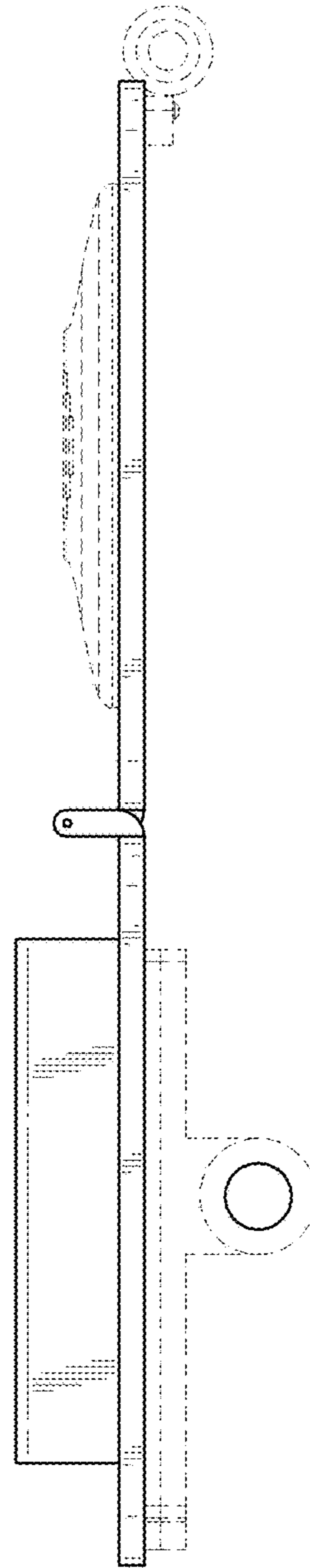


FIG. 16