



US00D800985S

(12) **United States Design Patent** (10) **Patent No.:** **US D800,985 S**  
**Bersch et al.** (45) **Date of Patent:** **\*\* Oct. 24, 2017**

- (54) **RECEPTACLE** 5,085,342 A 2/1992 Strawder
- (71) Applicant: **The Prestwick Group, Inc., Sussex, WI (US)** D326,341 S 5/1992 Frauhiger
- (72) Inventors: **Patrick William Bersch, Lannon, WI (US); Paul Francis Karalewitz, Jr., Richfield, WI (US); Tyler John Morse, Oconomowoc, WI (US)** 5,174,468 A 12/1992 Holderman
- (73) Assignee: **The Prestwick Group, Inc., Sussex, WI (US)** D332,332 S 1/1993 Markey
- 5,085,342 A 2/1992 Strawder
- D326,341 S 5/1992 Frauhiger
- 5,174,468 A 12/1992 Holderman
- D332,332 S 1/1993 Markey
- D333,542 S 2/1993 McKenzie
- D334,852 S 4/1993 Beirise
- D335,012 S 4/1993 Broussard
- D335,730 S 5/1993 Tessner et al.
- D339,438 S 9/1993 Moran
- D344,381 S 2/1994 Martin et al.
- D356,419 S 3/1995 Kamm
- D423,167 S 4/2000 Welch

(Continued)

(\*\*) Term: **15 Years**

**OTHER PUBLICATIONS**

(21) Appl. No.: **29/589,762**

U.S. Appl. No. 29/535,458, filed Aug. 6, 2015, Bergemann et al.

(22) Filed: **Jan. 4, 2017**

(Continued)

**Related U.S. Application Data**

*Primary Examiner* — Susan E Krakower

*Assistant Examiner* — Michael Maharajh

(62) Division of application No. 29/552,342, filed on Jan. 21, 2016, now Pat. No. Des. 779,760.

(51) **LOC (10) Cl.** ..... **23-99**

(57) **CLAIM**

(52) **U.S. Cl.**

We claim the ornamental design for a receptacle, as shown and described.

USPC ..... **D34/1**

(58) **Field of Classification Search**

**DESCRIPTION**

USPC ..... D34/1, 2, 3, 4, 5, 6, 7, 8, 9, 10, 11, 12,  
D34/13, 14, 17, 19, 20, 21, 22, 25;  
220/23, 255, 495, 500-575, 262-264,  
220/908, 908.1, 909, 910, 911;  
232/43.1-43.5

CPC ..... B65F 1/006; B65F 1/1607;  
B65F 2001/0086; B65F 1/06;  
B65F 1/1426; B65F 1/004; B65F 1/0053;  
B65F 1/0066; B65F 1/1468;  
B65F 1/0046; B65F 1/1615;  
B65F 1/0073; B65F 1/067; B65F 1/085;  
B65F 1/141; B65F 1/16

FIG. 1 is a front top perspective view of a receptacle showing our new design;  
FIG. 2 is a rear top perspective view thereof;  
FIG. 3 is a front elevational view thereof;  
FIG. 4 is a rear elevational view thereof;  
FIG. 5 is a top plan view thereof;  
FIG. 6 is a bottom plan view thereof;  
FIG. 7 is a right side elevational view thereof;  
FIG. 8 is a left side elevational view thereof; and,  
FIG. 9 is a front bottom perspective view thereof.

See application file for complete search history.

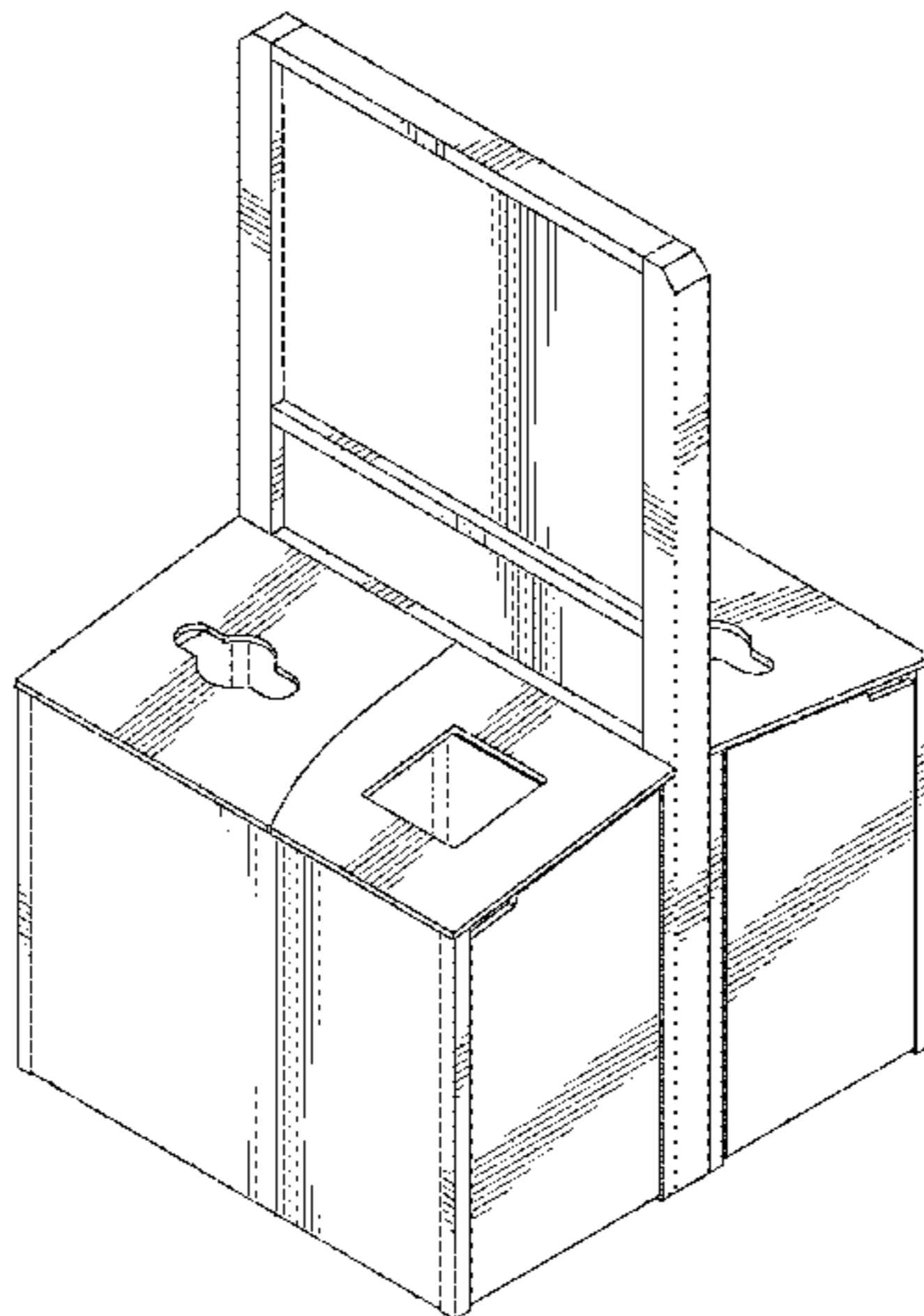
The evenly spaced broken lines shown in the figures are for the purpose of illustrating portions of the receptacle and form no part of the claimed design.

(56) **References Cited**

**U.S. PATENT DOCUMENTS**

**1 Claim, 9 Drawing Sheets**

- 3,893,615 A 7/1975 Johnson
- D292,037 S 9/1987 Hanifl



(56)

**References Cited**

## U.S. PATENT DOCUMENTS

D431,733 S	10/2000	Zimmerman
D477,474 S	7/2003	Milligan
D535,447 S	1/2007	Olivetti
D545,590 S	7/2007	Good
D584,467 S	1/2009	Tuncel
D584,468 S	1/2009	Liao
D586,521 S	2/2009	Pho et al.
D587,420 S	2/2009	Lin
D587,452 S	3/2009	Bisson
D588,772 S	3/2009	Lin
D591,470 S	4/2009	Tuncel
D596,819 S	7/2009	Mancini
D605,822 S	12/2009	Cantrell et al.
D606,272 S	12/2009	Cantrell et al.
D608,516 S	1/2010	Cantrell et al.
D617,519 S	6/2010	Malczewski et al.
D617,968 S	6/2010	Andresen
D618,417 S	6/2010	Presnell
D638,598 S	5/2011	Ziech
D639,518 S	6/2011	Zeulner
D668,414 S	10/2012	McNay et al.
D681,301 S	4/2013	Bennie et al.
D738,588 S	9/2015	Bergemann et al.
D757,385 S	5/2016	Peake-Atkins
D763,531 S	8/2016	Mattern et al.
2014/0291328 A1	10/2014	Jarrett et al.
2015/0375937 A1	12/2015	McIntosh

## OTHER PUBLICATIONS

U.S. Appl. No. 29/552,342, filed Jan. 21, 2016, Bersch et al.

Max-R website material, Busser Stations, available at <http://www.max-r.net/store/busser-stations.asp>, illustrating products publically available prior to Dec. 5, 2013, accessed on Jan. 27, 2014, 1 page.

Max-R website material, Restaurants, available at [http://www.max-r.net/cafeteria\\_restuarants.asp](http://www.max-r.net/cafeteria_restuarants.asp), illustrating products publically available prior to Dec. 5, 2013, accessed on Jan. 27, 2014, 2 pages.

Max-R website material, Max-R's Halston Collection—Recycling Bins, Waste Bins, available at [http://www.max-r.net/store/halston\\_collection.asp](http://www.max-r.net/store/halston_collection.asp), illustrating products publically available prior to Dec. 5, 2013, accessed on Jan. 27, 2014, 2 pages.

Max-R website material, Lamboo® Material, available at <http://www.max-r.net/lamboo.asp>, illustrating products publically available prior to Dec. 5, 2013, accessed on Jan. 27, 2014, 2 pages.

Max-R website material, Oxford Collection—Recycling Bins, Waste Bins, available at [http://www.max-r.net/store/oxford\\_collection.asp](http://www.max-r.net/store/oxford_collection.asp), illustrating products publically available prior to Dec. 5, 2013, accessed on Jan. 27, 2014, 2 pages.

Max-R website material, Max-R's Terra Collection—Recycling Bins, Waste Bins, available at [http://www.max-r.net/store/terra\\_collection.asp](http://www.max-r.net/store/terra_collection.asp), illustrating products publically available prior to Dec. 5, 2013, accessed on Jan. 27, 2014, 2 pages.

Max-R website material, Towel Stations, available at <http://www.max-r.net/store/towel-stations.asp>, illustrating products publically available prior to Dec. 5, 2013, accessed on Jan. 27, 2014, 1 page.

Max-R website material, Tuscany Collection—Waste Recycling Bins, available at [http://www.max-r.net/store/tuscany\\_collection.asp](http://www.max-r.net/store/tuscany_collection.asp), illustrating products publically available prior to Dec. 5, 2013, accessed on Jan. 27, 2014, 2 pages.

Max-R website material, Max-R's Verde Collection—Recycling Bins, Waste Bins, available at [http://www.max-r.net/store/verde\\_collection.asp](http://www.max-r.net/store/verde_collection.asp), illustrating products publically available prior to Dec. 5, 2013, accessed on Jan. 27, 2014, 2 pages.

Max-R website material, Waste and Recycling Bins p. 1, available at <http://www.max-r.net/store/waste-and-recycling-bins.asp>, illustrating products publically available prior to Dec. 5, 2013, accessed on Jan. 27, 2014, 2 pages.

Max-R website material, Waste and Recycling Bins p. 2, available at <http://www.max-r.net/store/waste-and-recycling-bins.asp>, illustrating products publically available prior to Dec. 5, 2013, accessed on Jan. 27, 2014, 2 pages.

Max-R website material, Waste and Recycling Bins p. 3, available at <http://www.max-r.net/store/waste-and-recycling-bins.asp>, illustrating products publically available prior to Dec. 5, 2013, accessed on Jan. 27, 2014, 2 pages.

Max-R website material, Waste and Recycling Bins p. 4, available at <http://www.max-r.net/store/waste-and-recycling-bins.asp>, illustrating products publically available prior to Dec. 5, 2013, accessed on Jan. 27, 2014, 2 pages.

Max-R website material, Waste and Recycling Bins p. 5, available at <http://www.max-r.net/store/waste-and-recycling-bins.asp>, illustrating products publically available prior to Dec. 5, 2013, accessed on Jan. 27, 2014, 2 pages.

Max-R website material, Waste and Recycling Bins p. 6, available at <http://www.max-r.net/store/waste-and-recycling-bins.asp>, illustrating products publically available prior to Dec. 5, 2013, accessed on Jan. 27, 2014, 2 pages.

Max-R website material, Waste and Recycling Bins p. 7, available at <http://www.max-r.net/store/waste-and-recycling-bins.asp>, illustrating products publically available prior to Dec. 5, 2013, accessed on Jan. 27, 2014, 2 pages.

Max-R website material, Waste and Recycling Bins p. 8, available at <http://www.max-r.net/store/waste-and-recycling-bins.asp>, illustrating products publically available prior to Dec. 5, 2013, accessed on Jan. 27, 2014, 2 pages.

Max-R website material, Verde Split Double Topload Recycling Stations, available at <http://www.max-r.net/store/viewProduct.asp?idProduct=4990>, illustrating products publically available at least by Jan. 20, 2016, accessed on Jan. 22, 2016, 1 page.

Max-R website material, Oxford 22 Gallon Quad Recycling Station, available at <http://www.max-r.net/store/viewProduct.asp?idProduct=6798>, illustrating products publically available at least by Jan. 20, 2016, accessed on Jan. 22, 2016, 1 page.

Max-R website material, Double-Sided Standard Message Centers, available at <http://www.max-r.net/store/viewProduct.asp?idProduct=3494>, illustrating products publically available at least by Jan. 20, 2016, accessed on Jan. 22, 2016, 1 page.

Max-R website material, Double-Sided Vertical Message Centers, available at <http://www.max-r.net/store/viewProduct.asp?idProduct=3502>, illustrating products publically available at least by Jan. 20, 2016, accessed on Jan. 22, 2016, 1 page.

Max-R website material, Albany Triple Stream Top Load, available at <http://www.max-r.net/product/albany-triple-topload-recycling-bin>, illustrating products publically available at least by Jan. 20, 2016, accessed on Feb. 23, 2016, 4 pages.

Max-R website material, Albany Double Stream Top Load, available at <http://www.max-r.net/product/albany-double-top-load-recycling-bin>, illustrating products publically available at least by Jan. 20, 2016, accessed on Feb. 23, 2016, 4 pages.

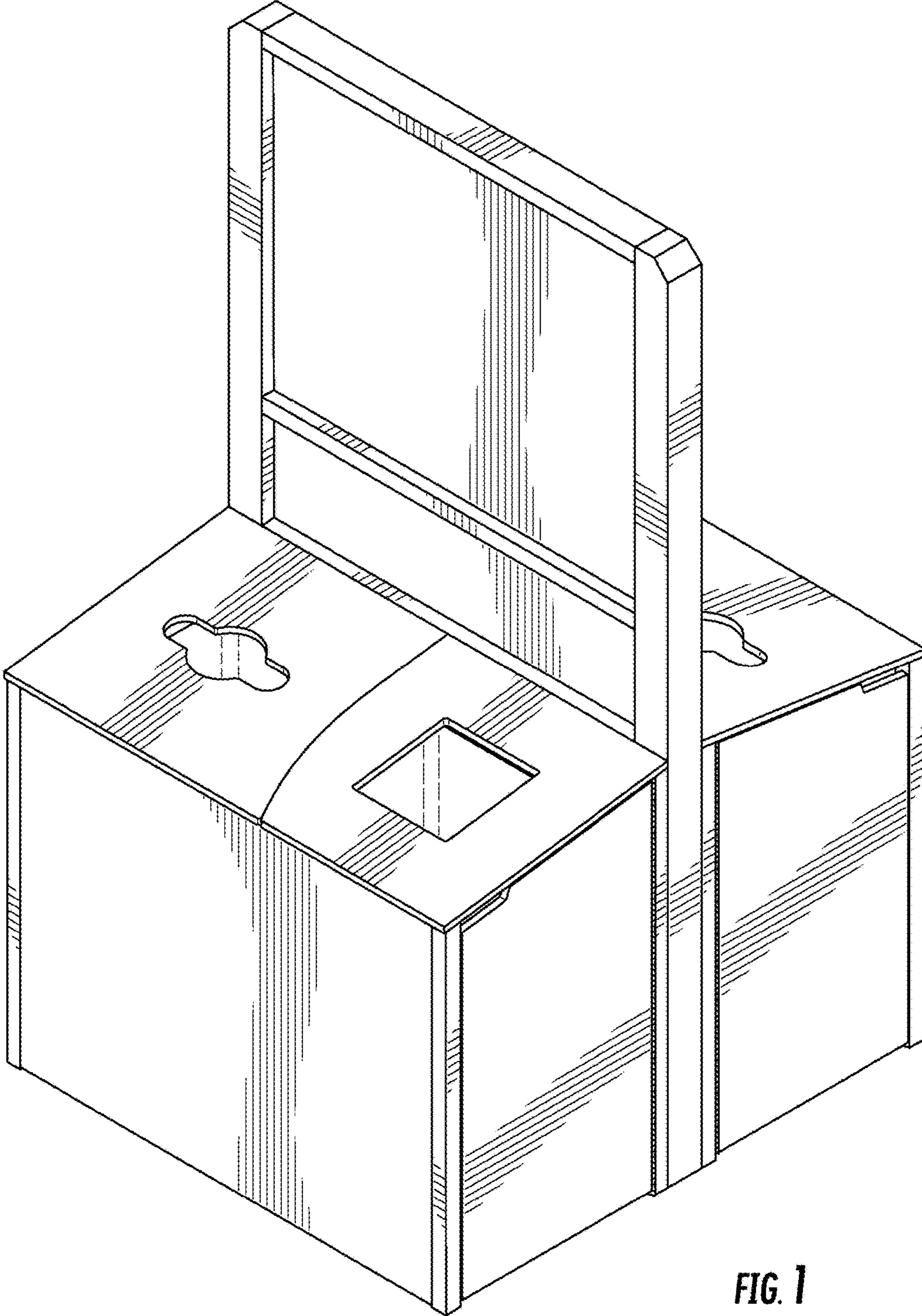


FIG. 1

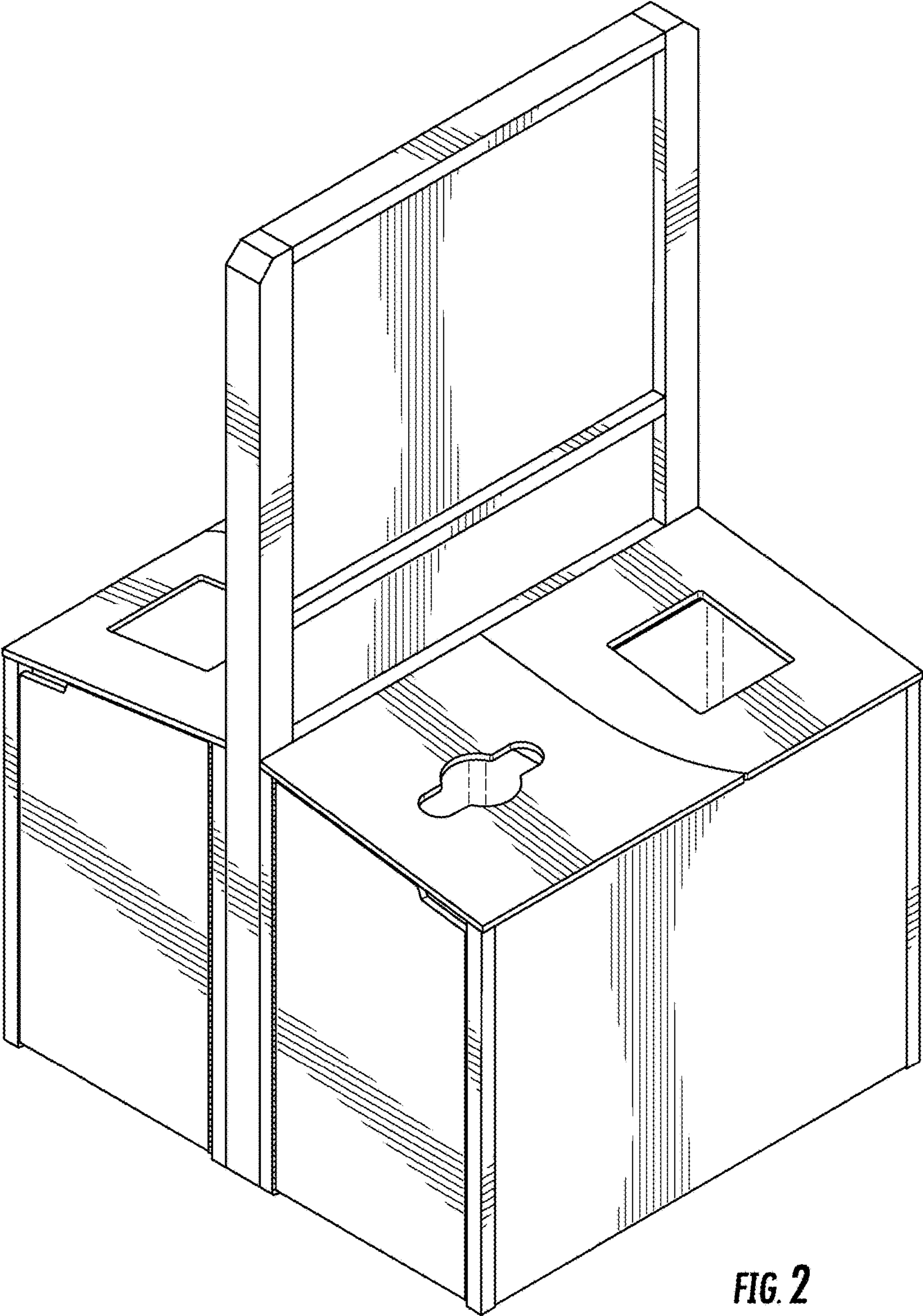


FIG. 2

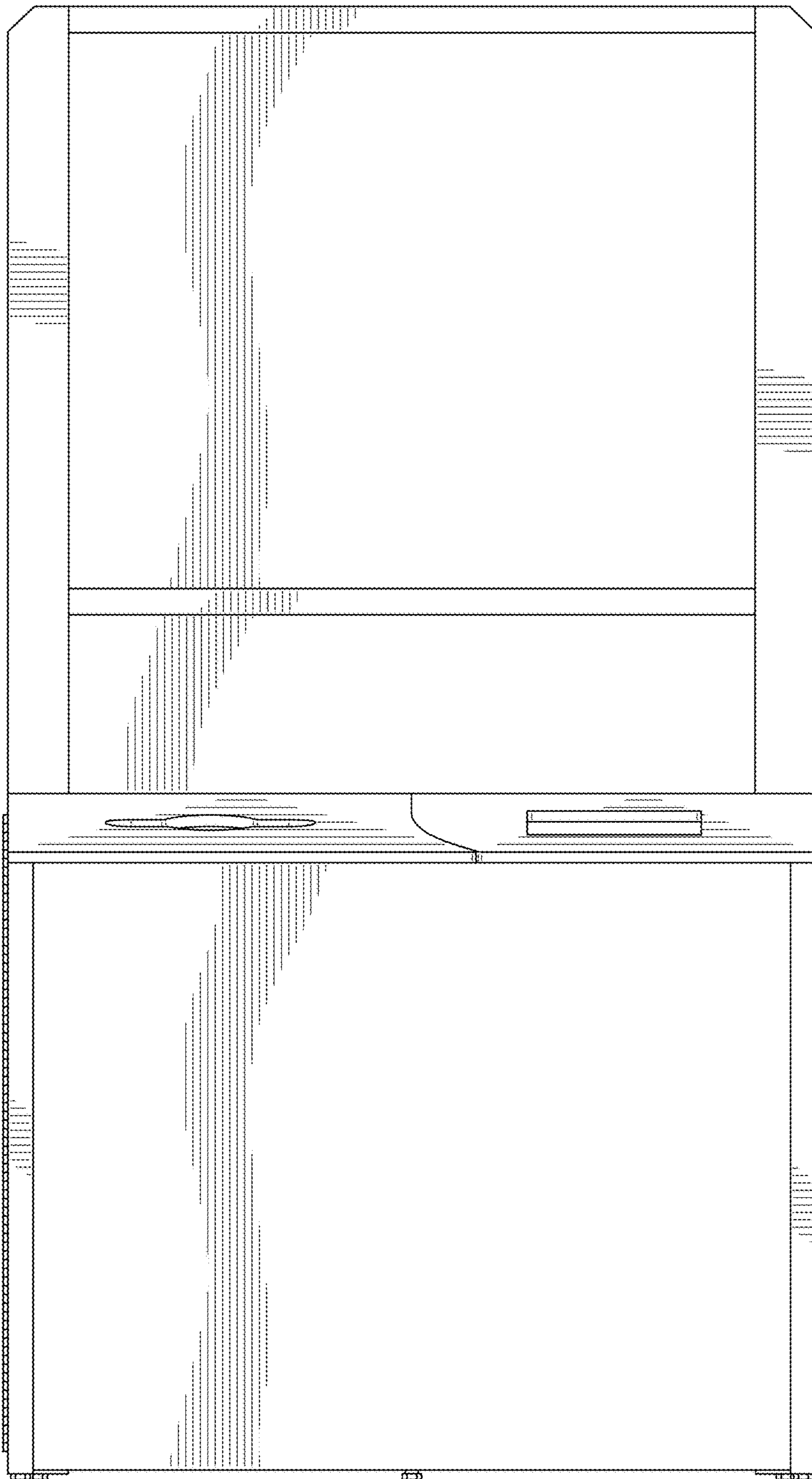


FIG. 3

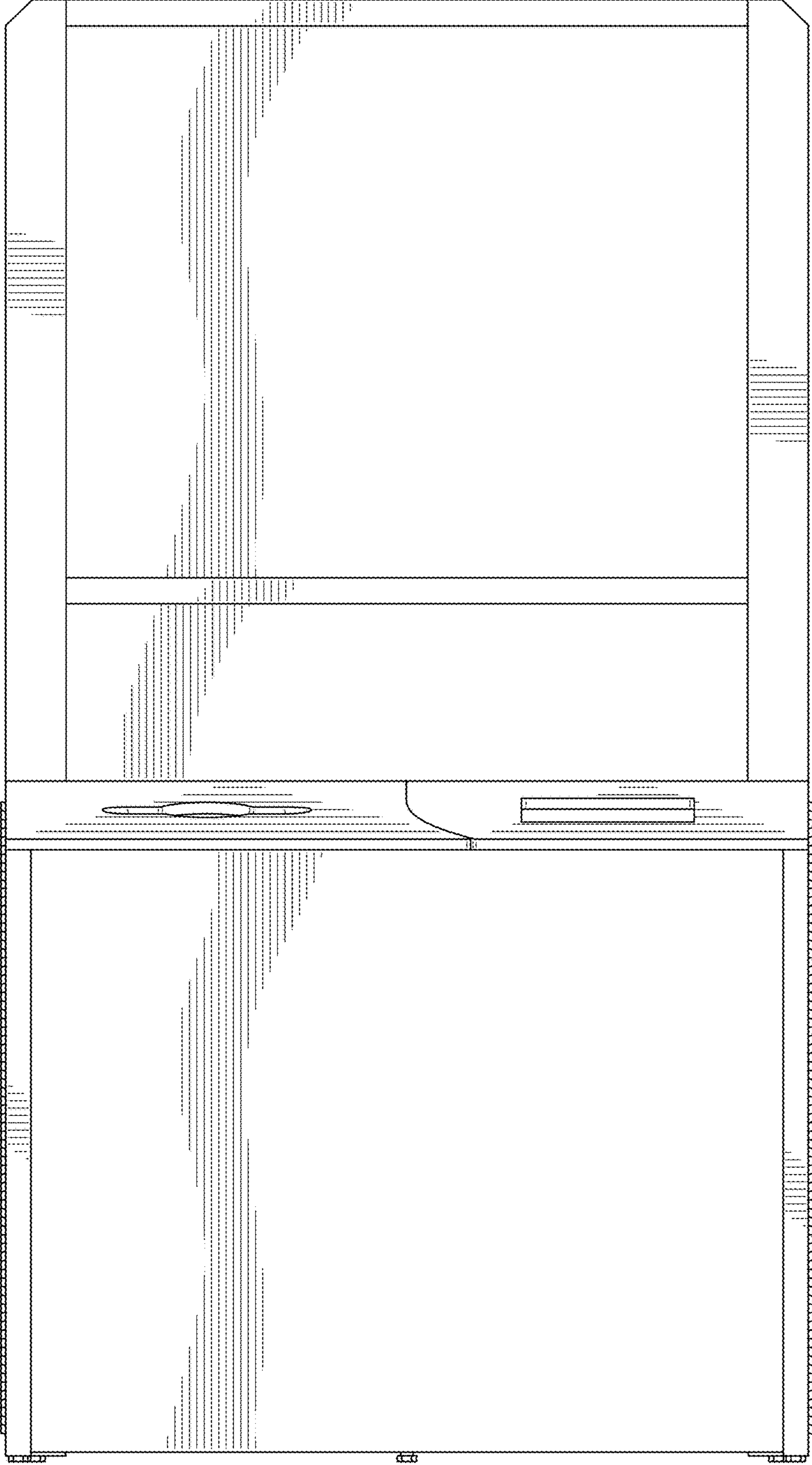


FIG. 4

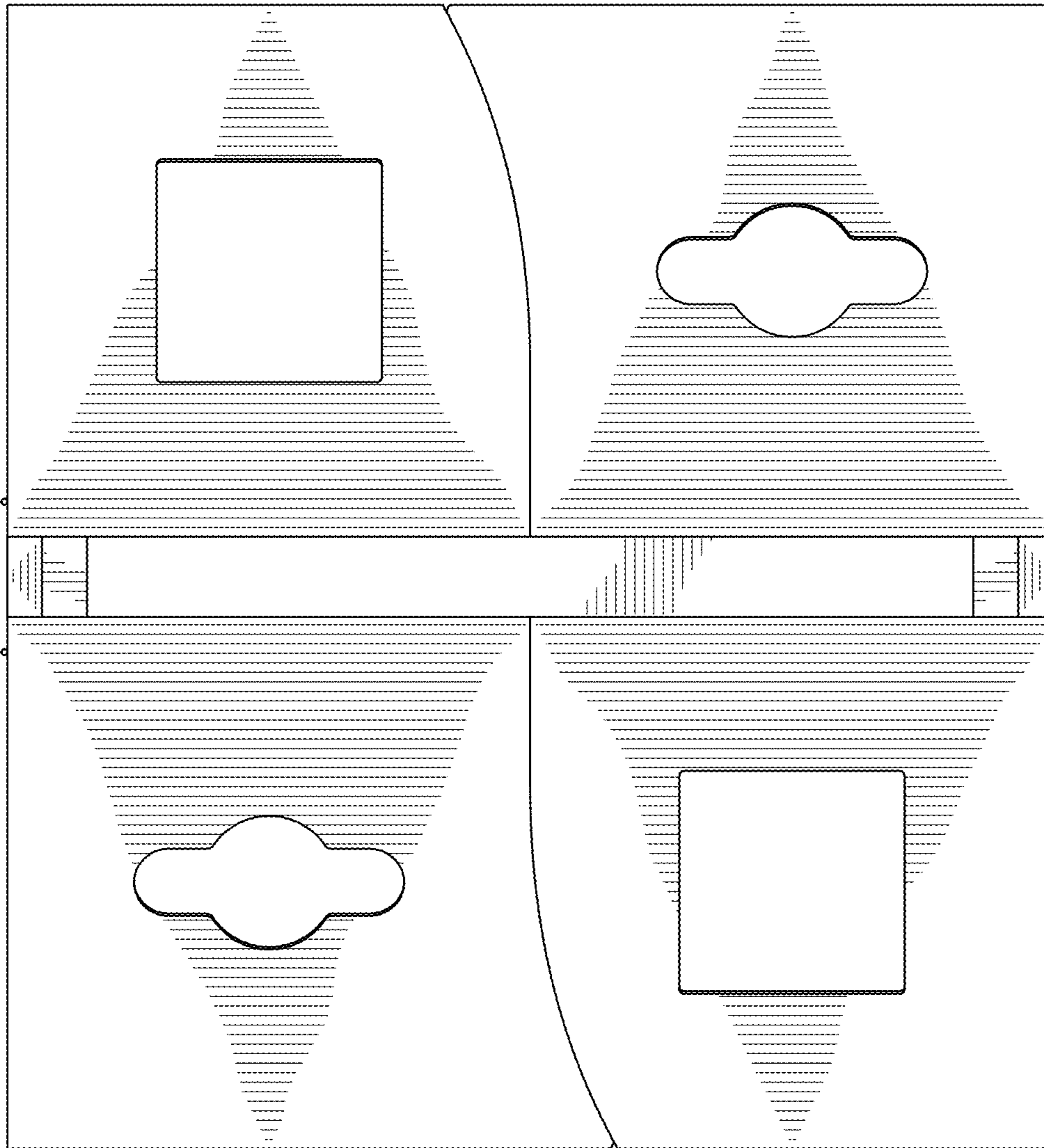


FIG. 5

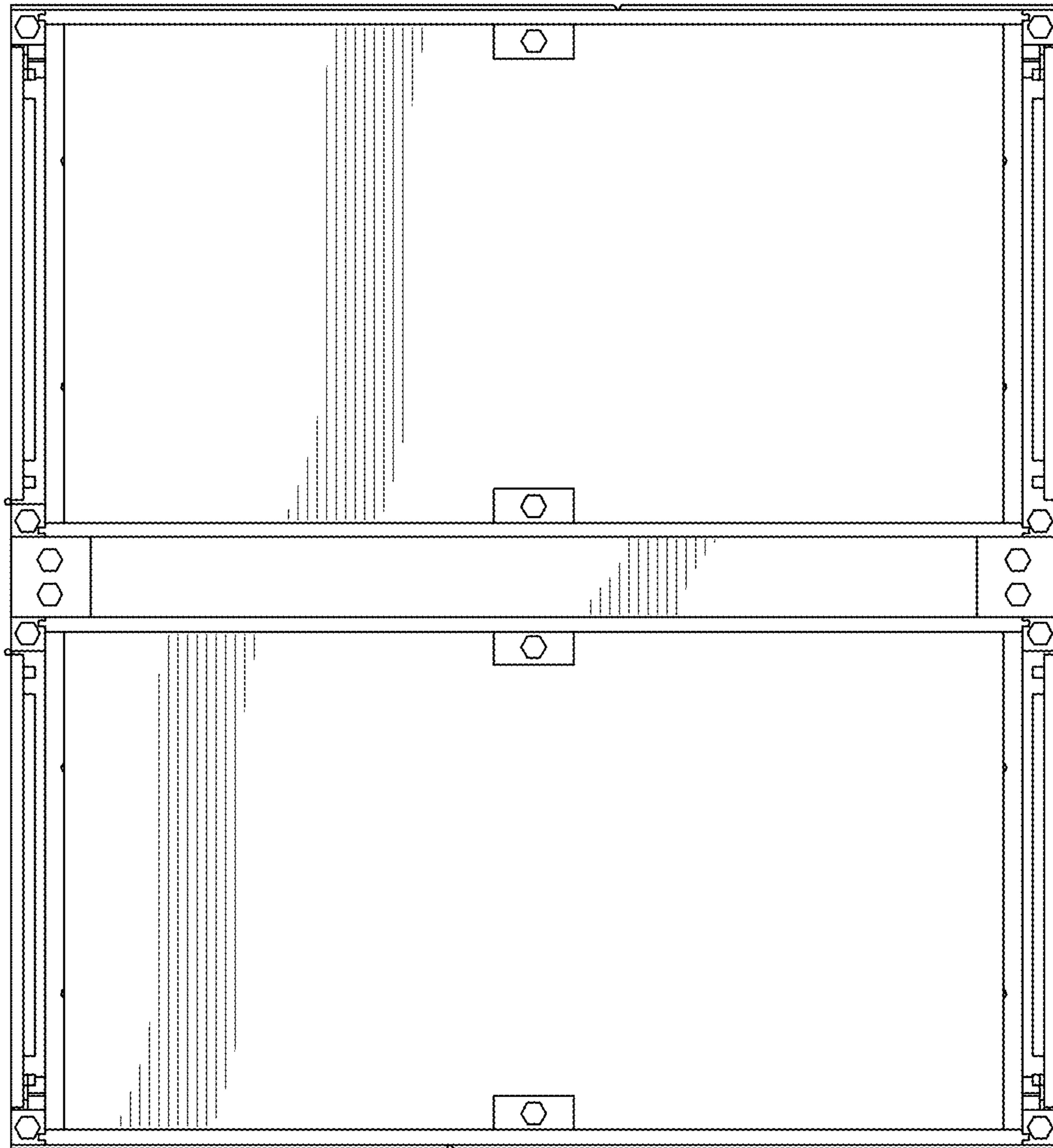


FIG. 6



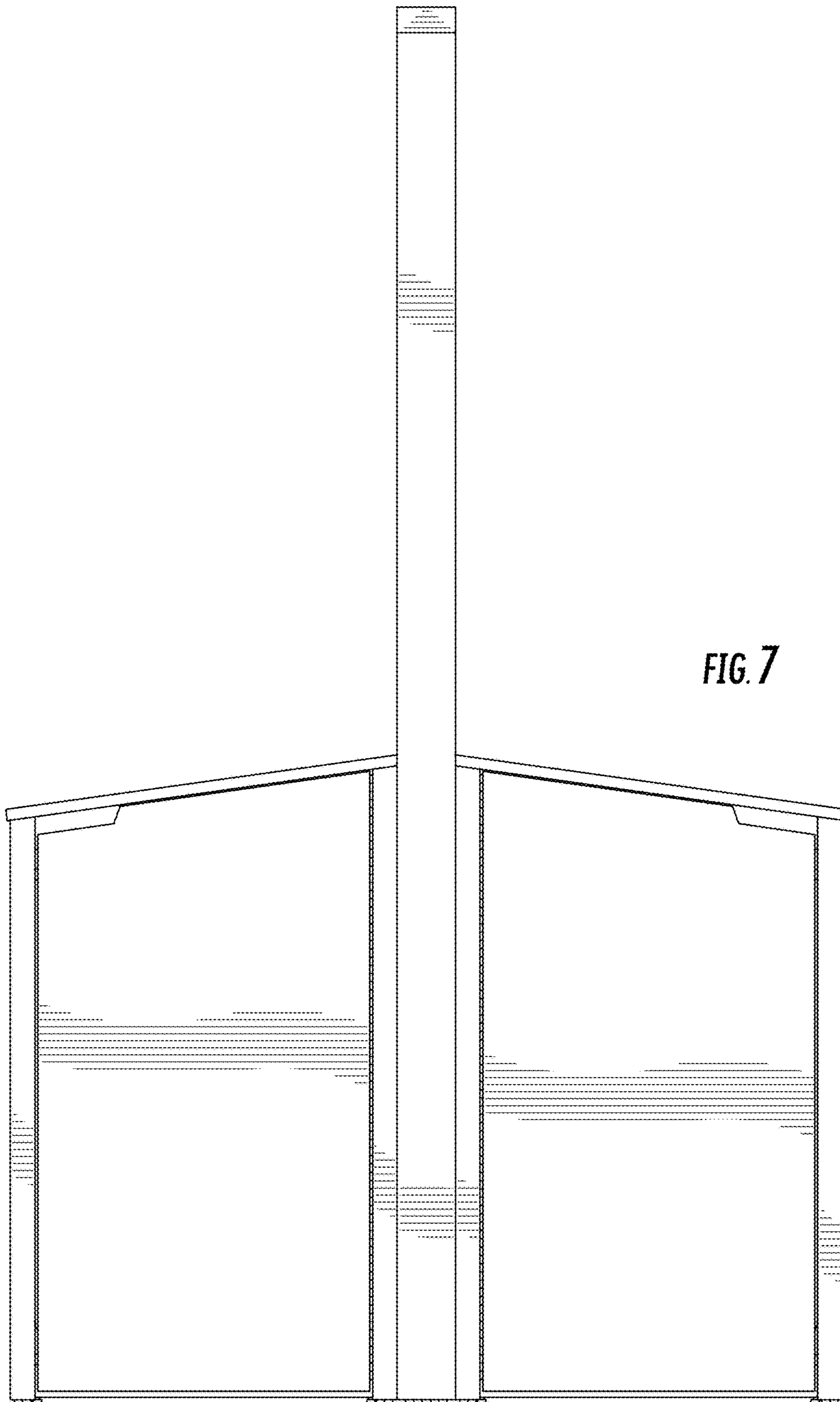


FIG. 7

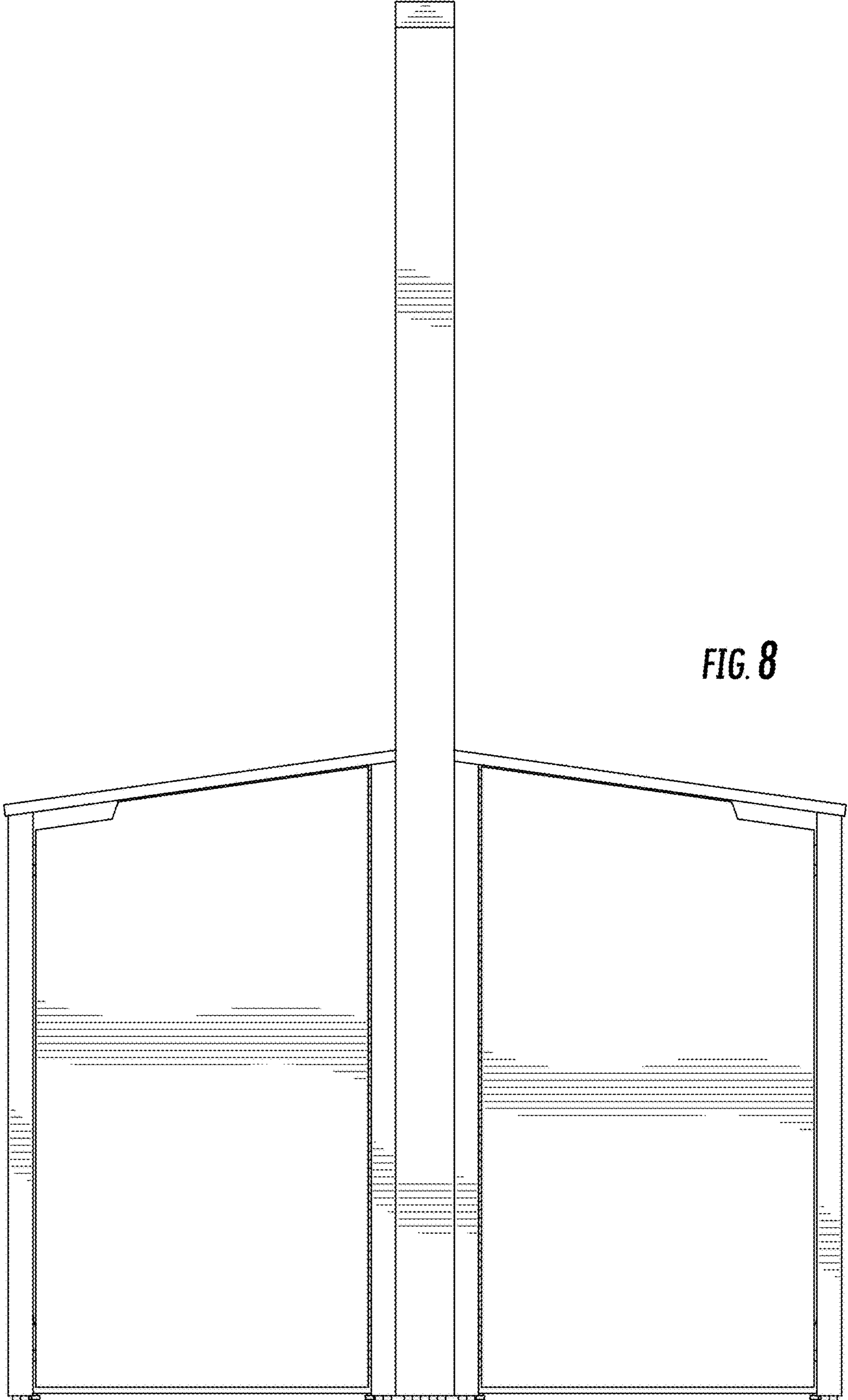


FIG. 8

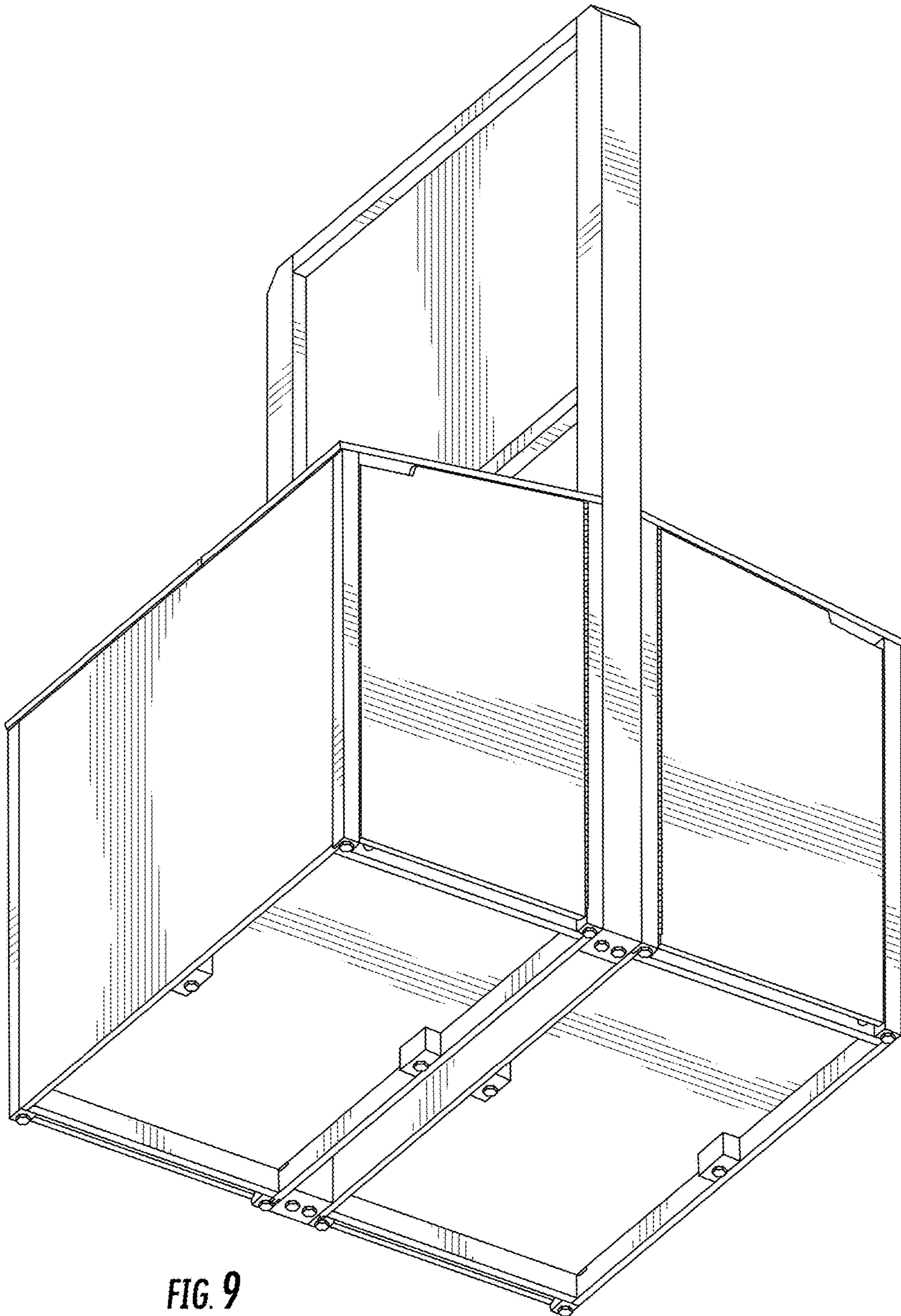


FIG. 9