



US00D800984S

(12) **United States Design Patent**
Müller et al.

(10) **Patent No.:** **US D800,984 S**

(45) **Date of Patent:** **** Oct. 24, 2017**

(54) **STEAM IRON**

(71) Applicant: **DE'LONGHI BRAUN HOUSEHOLD GMBH**, Neu-Isenburg (DE)

(72) Inventors: **Dennis Müller**, Frankfurt am Main (DE); **Markus Orthey**, Eltville Am Rhein (DE); **Britta Stockinger**, Frankfurt am Main (DE); **Sven Wuttig**, Griesheim (DE); **Duy P. Vu**, Schwalbach Am Taunus (DE)

(73) Assignee: **DE'LONGHI BRAUN HOUSEHOLD GMBH**, Neu-Isenburg (DE)

(**) Term: **15 Years**

(21) Appl. No.: **29/574,785**

(22) Filed: **Aug. 18, 2016**

(30) **Foreign Application Priority Data**

Feb. 19, 2016 (EM) 002993766-0003
Feb. 19, 2016 (EM) 002993766-0004
Feb. 19, 2016 (EM) 002993766-0005
Feb. 19, 2016 (EM) 002993766-0006

(51) **LOC (10) Cl.** **07-05**

(52) **U.S. Cl.**
USPC **D32/70**

(58) **Field of Classification Search**
USPC D32/70, 71, 73, 72, 69, 68, 35; D8/71, D8/373, 349, 396, 30; D15/144, 144.2; D28/73; 219/231, 242, 229; 165/80.1; 126/414
CPC D06F 75/34; D06F 75/08; D06F 75/38; D06F 75/00; B08B 3/006; F22B 27/14
See application file for complete search history.

(56) **References Cited**

U.S. PATENT DOCUMENTS

D376,234 S 12/1996 Hensel et al.
D524,004 S 6/2006 Picozza et al.

D537,595 S 2/2007 Picozza et al.
D546,518 S 7/2007 Massip et al.
D555,315 S 11/2007 Poon
D558,946 S 1/2008 Massip et al.
D582,620 S * 12/2008 Brown D32/70

(Continued)

Primary Examiner — Austin Murphy

(74) *Attorney, Agent, or Firm* — Goodwin Procter LLP

(57) **CLAIM**

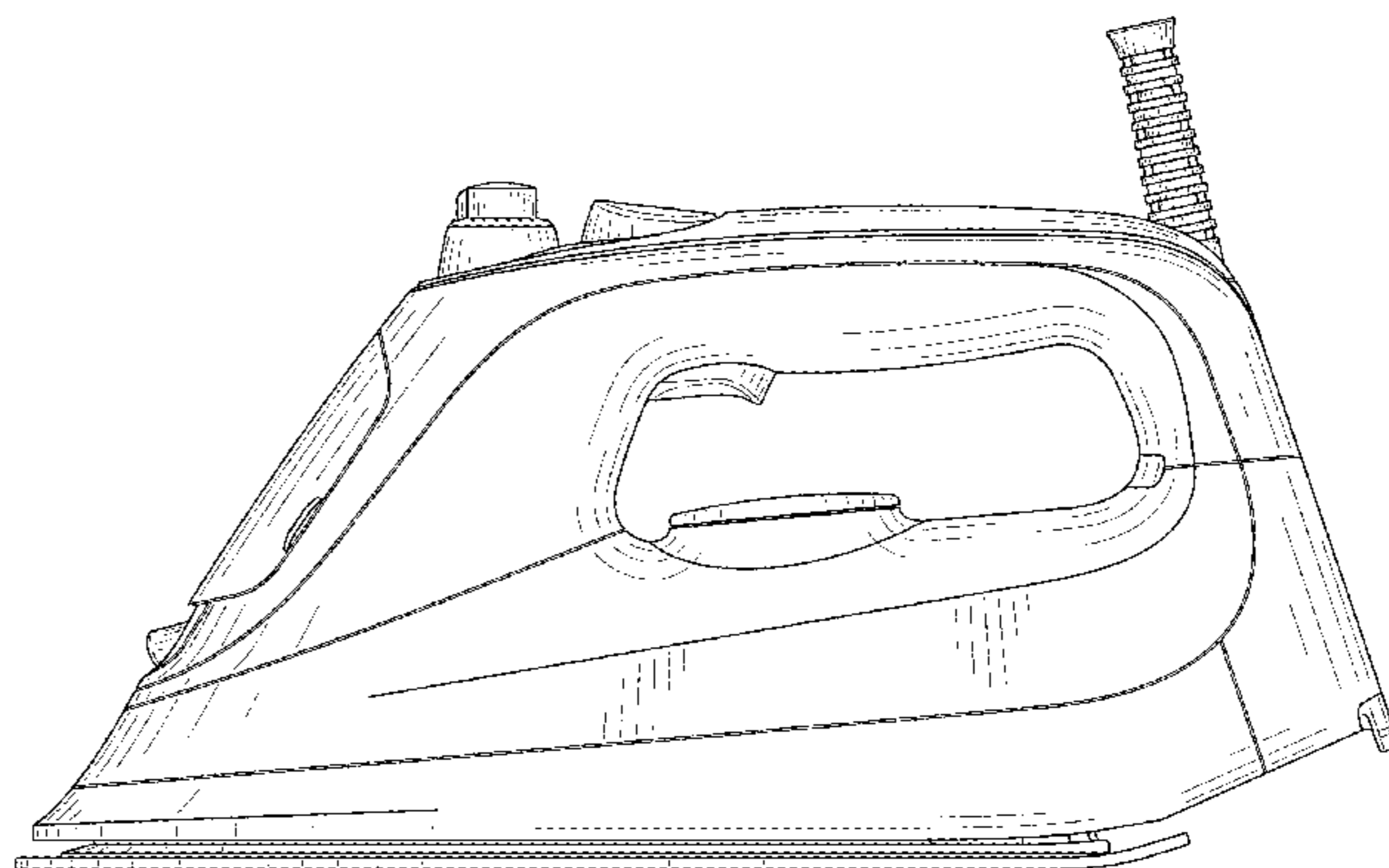
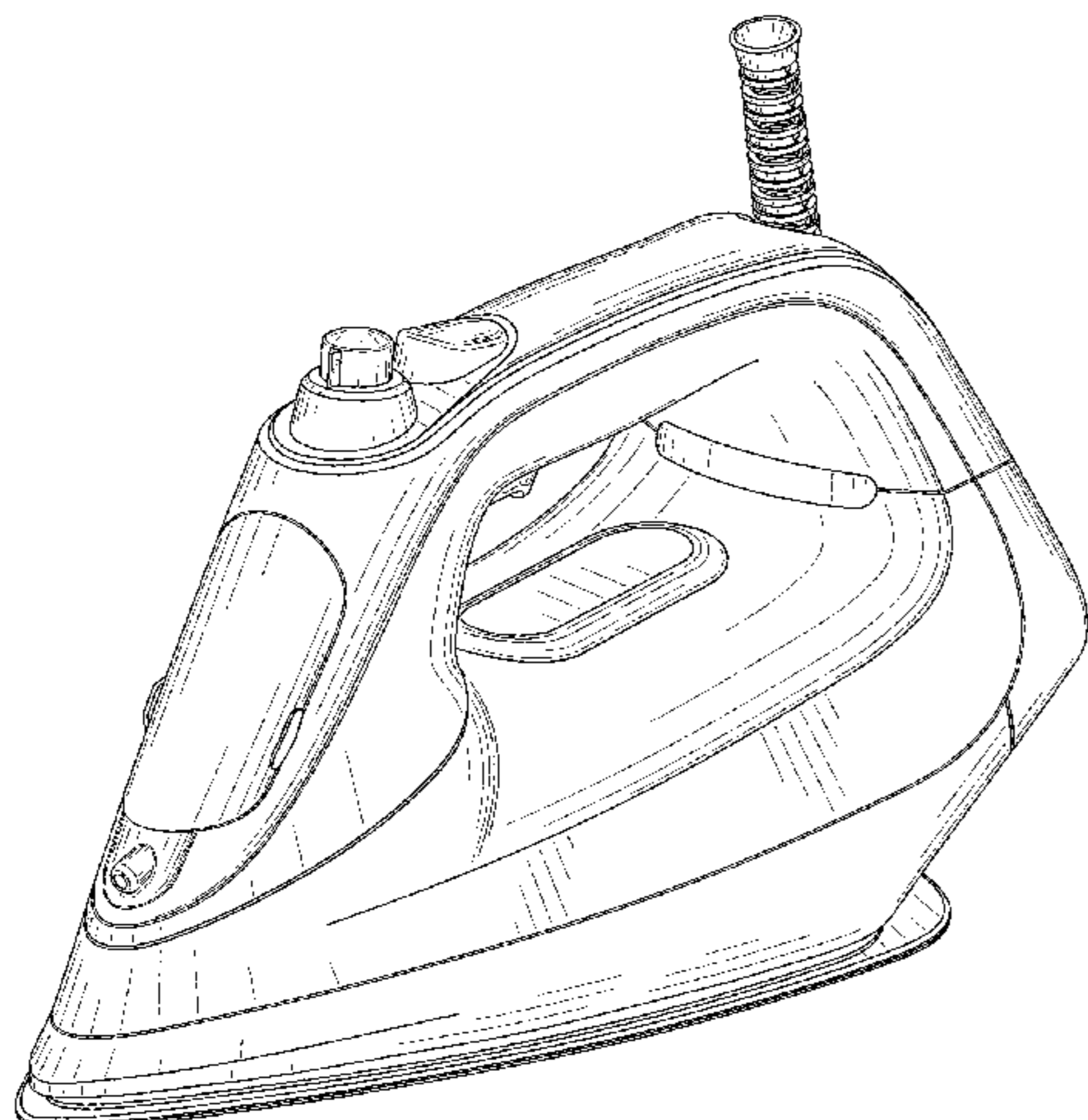
The ornamental design for a steam iron, as shown and described.

DESCRIPTION

FIG. 1 is a top, front, and right side perspective view of a steam iron, in accordance with a first embodiment; FIG. 2 is a front view of the steam iron of FIG. 1; FIG. 3 is a rear view of the steam iron of FIG. 1; FIG. 4 is a right side view of the steam iron of FIG. 1; FIG. 5 is a left side view of the steam iron of FIG. 1; FIG. 6 is a top view of the steam iron of FIG. 1; FIG. 7 is a bottom view of the steam iron of FIG. 1; FIG. 8 is a bottom, rear, and left side perspective view of the steam iron of FIG. 1; FIG. 9 is a top, front, and right side perspective view of a steam iron, in accordance with a second embodiment; FIG. 10 is a front view of the steam iron of FIG. 9; FIG. 11 is a rear view of the steam iron of FIG. 9; FIG. 12 is a right side view of the steam iron of FIG. 9; FIG. 13 is a left side view of the steam iron of FIG. 9; FIG. 14 is a top view of the steam iron of FIG. 9; FIG. 15 is a bottom view of the steam iron of FIG. 9; and, FIG. 16 is a bottom, rear, and left side perspective view of the steam iron of FIG. 9.

The broken lines shown in the drawings of a steam iron are for illustrative purposes only and form no part of the claimed design.

1 Claim, 16 Drawing Sheets



(56)

References Cited

U.S. PATENT DOCUMENTS

D610,764	S	*	2/2010	Massip	D32/70
D632,861	S	*	2/2011	Massip	D32/70
D632,862	S	*	2/2011	Massip	D32/70
D635,316	S	*	3/2011	Massip	D32/70
D635,729	S	*	4/2011	Massip	D32/70
D635,730	S	*	4/2011	Choi	D32/70
D642,762	S	*	8/2011	Ågren	D32/70
D654,240	S		2/2012	Choi et al.		
D659,929	S	*	5/2012	Yan	D32/70
D660,537	S	*	5/2012	Bock	D32/70
D663,088	S	*	7/2012	Choi	D32/70
D667,599	S	*	9/2012	Koehler	D32/70
D669,649	S	*	10/2012	Rohmer	D32/70
D676,210	S		2/2013	Sirard		
D707,006	S	*	6/2014	Esteve	D32/70
D707,412	S		6/2014	Renault		
D712,108	S		8/2014	Nho		
D712,109	S		8/2014	Day et al.		
D715,012	S	*	10/2014	Ringholm	D32/70
D718,512	S		11/2014	Whitney		
D739,108	S		9/2015	Orthey et al.		
D747,059	S	*	1/2016	Esteve	D32/70
D747,584	S		1/2016	Orthey et al.		
D773,144	S	*	11/2016	Tan	D32/70
2010/0307034	A1	*	12/2010	Knott	D06F 75/26 38/77.5

* cited by examiner

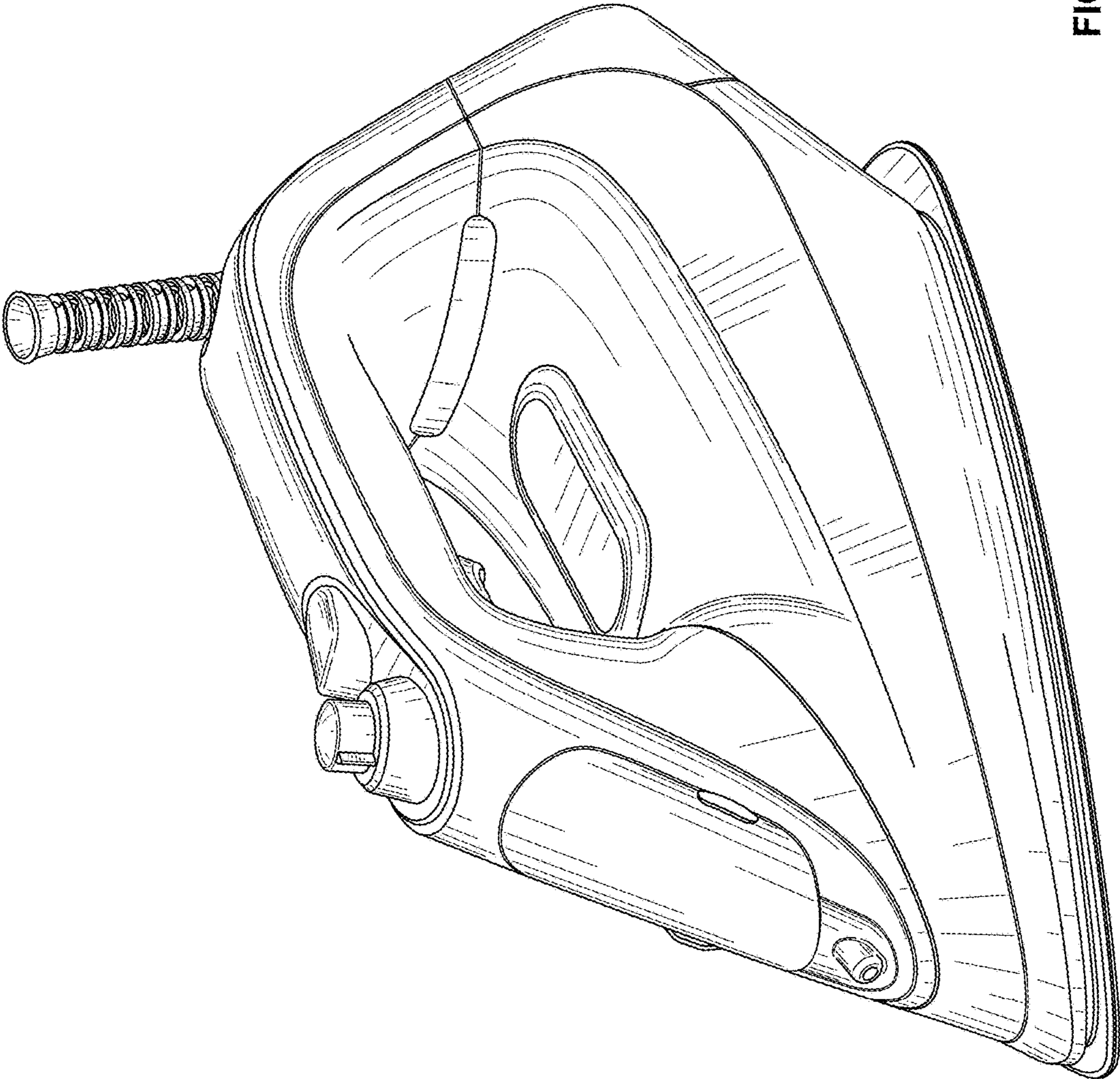


FIG. 1

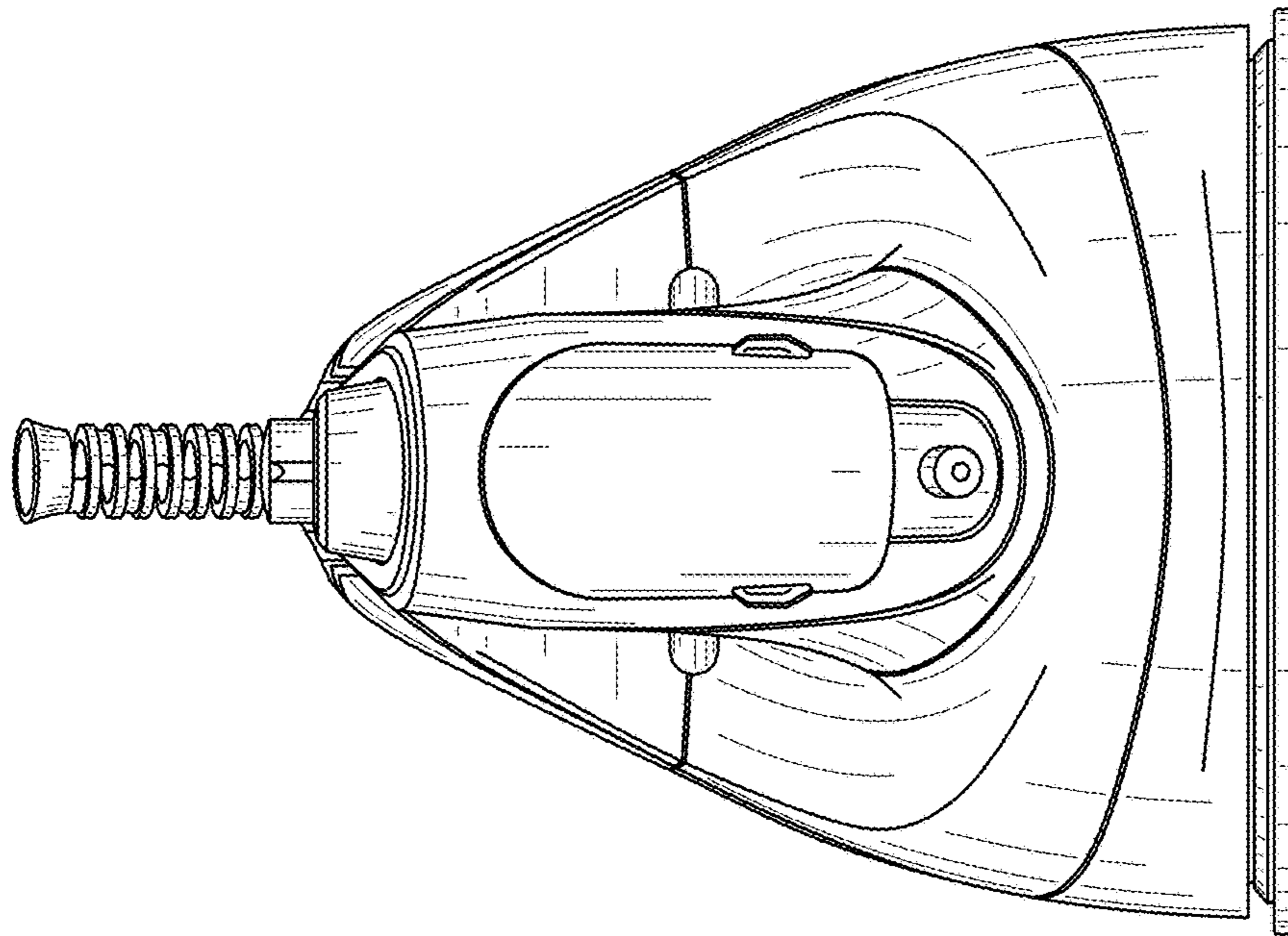


FIG. 2

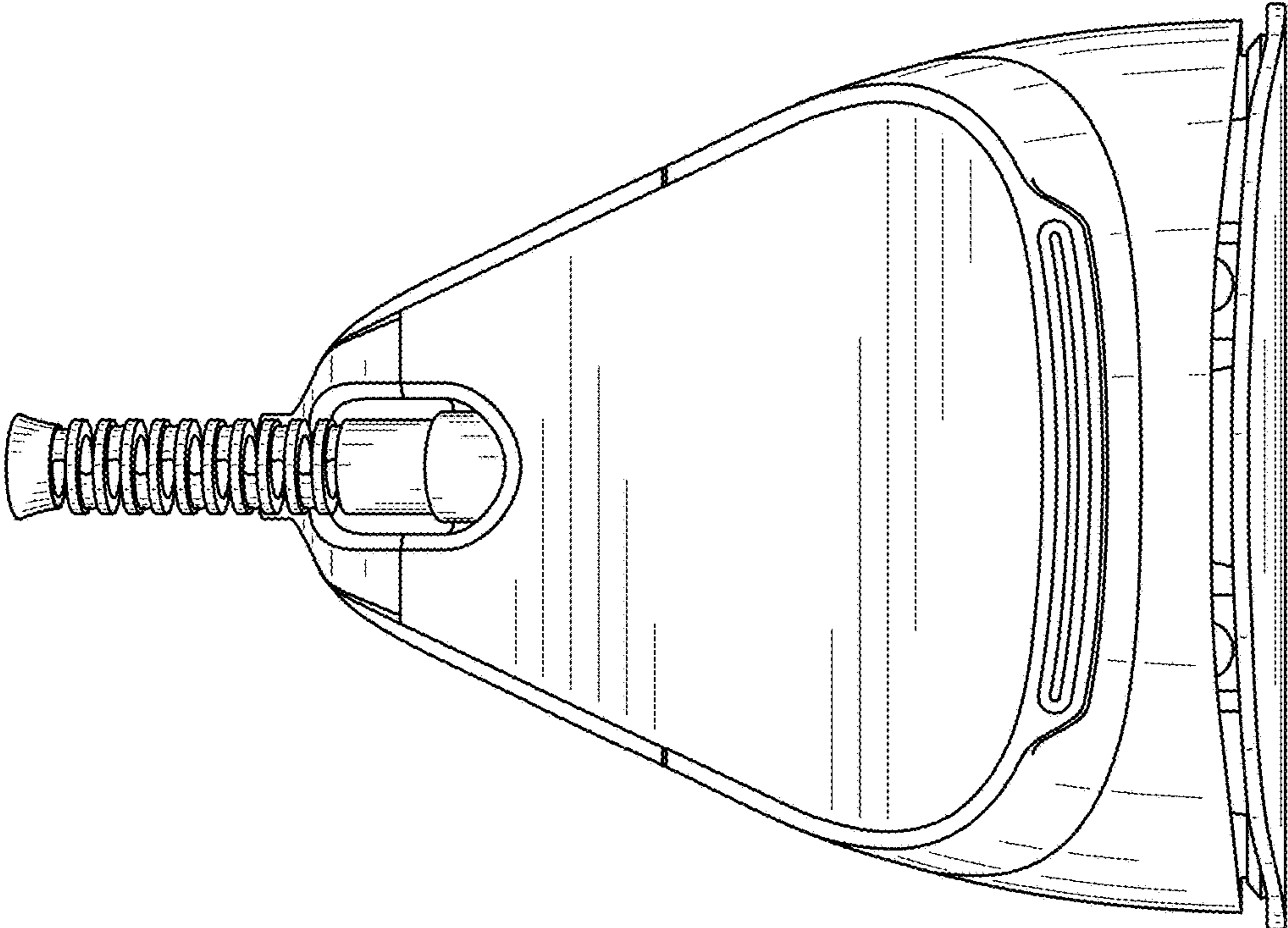


FIG. 3

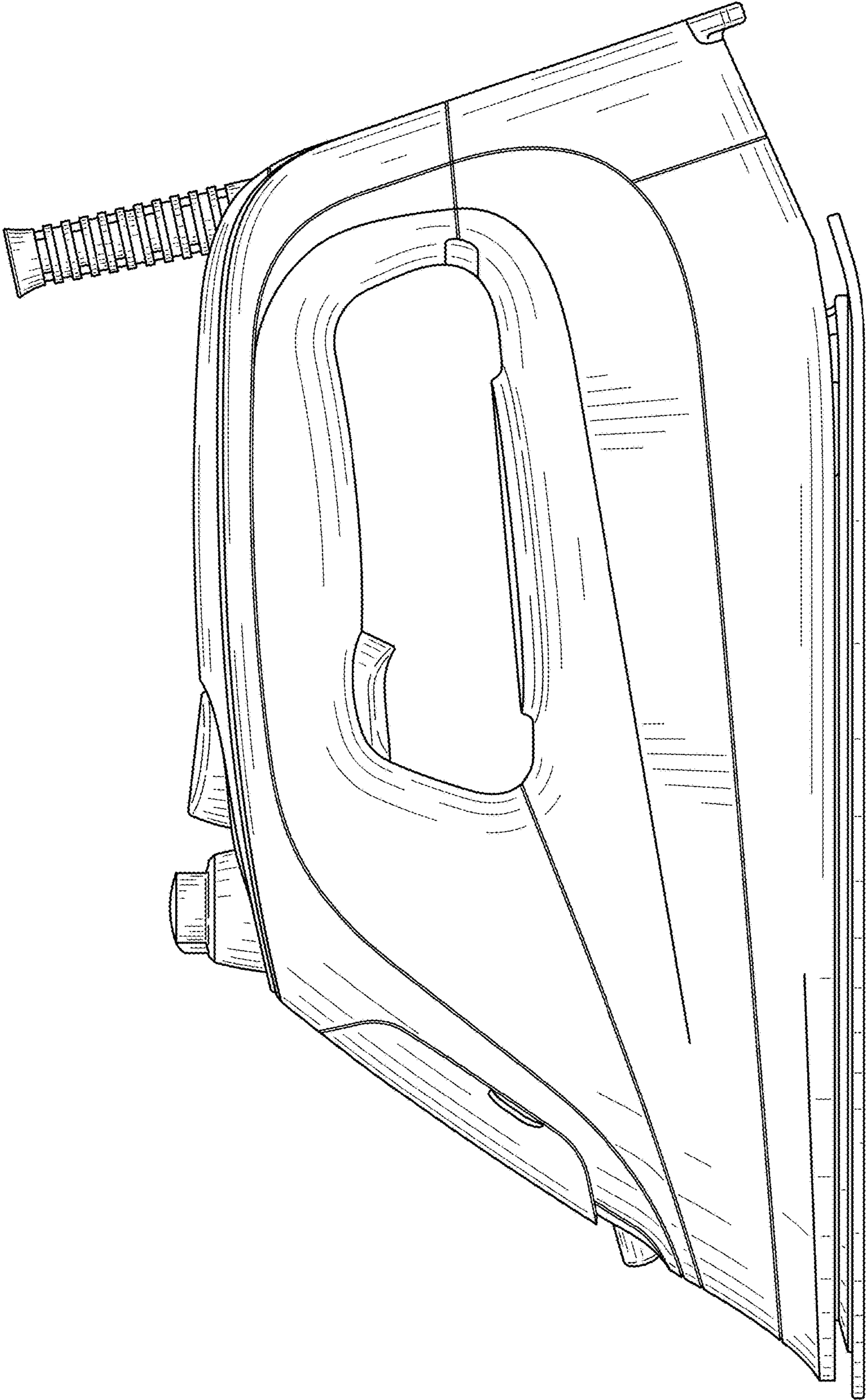


FIG. 4

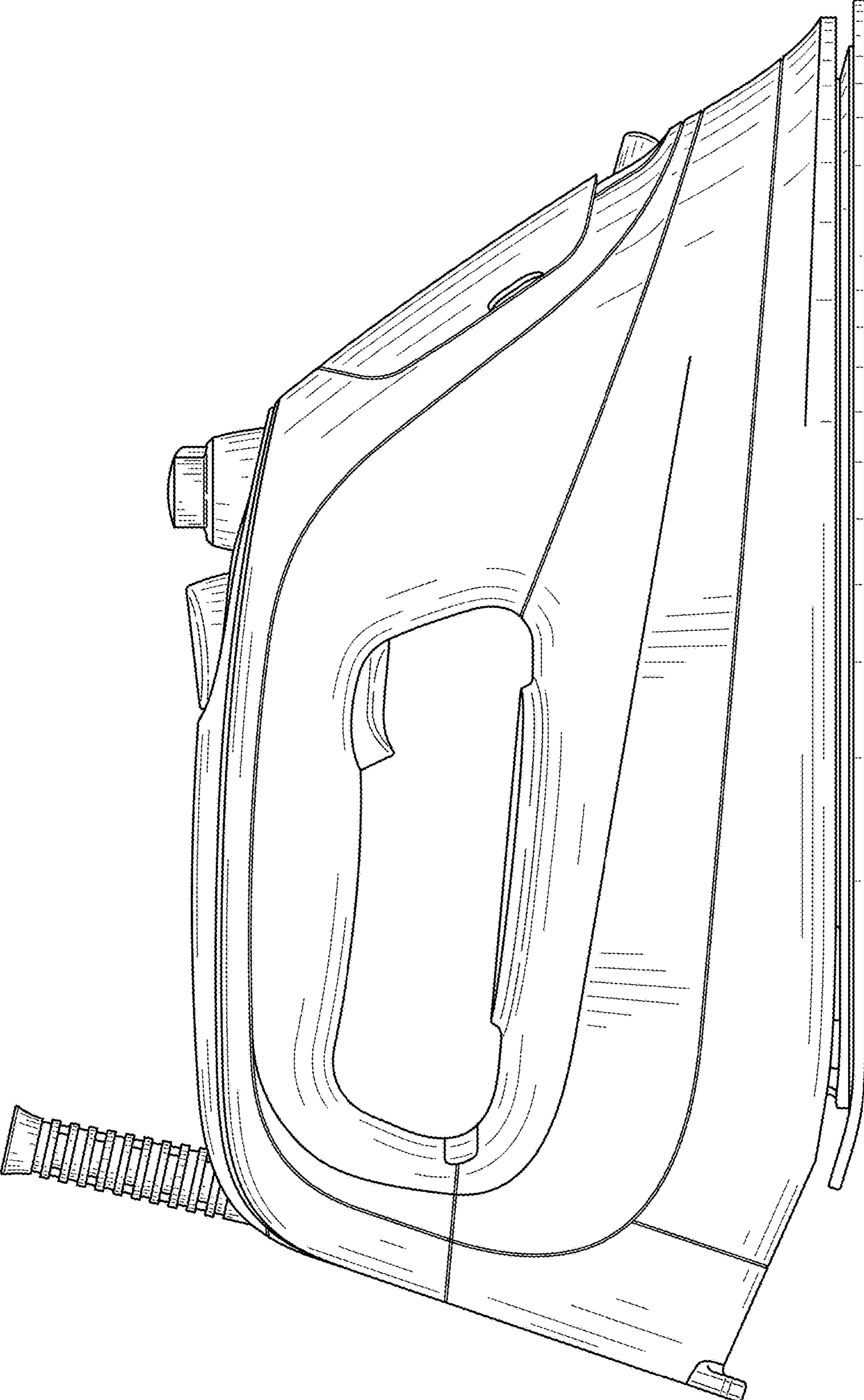


FIG. 5

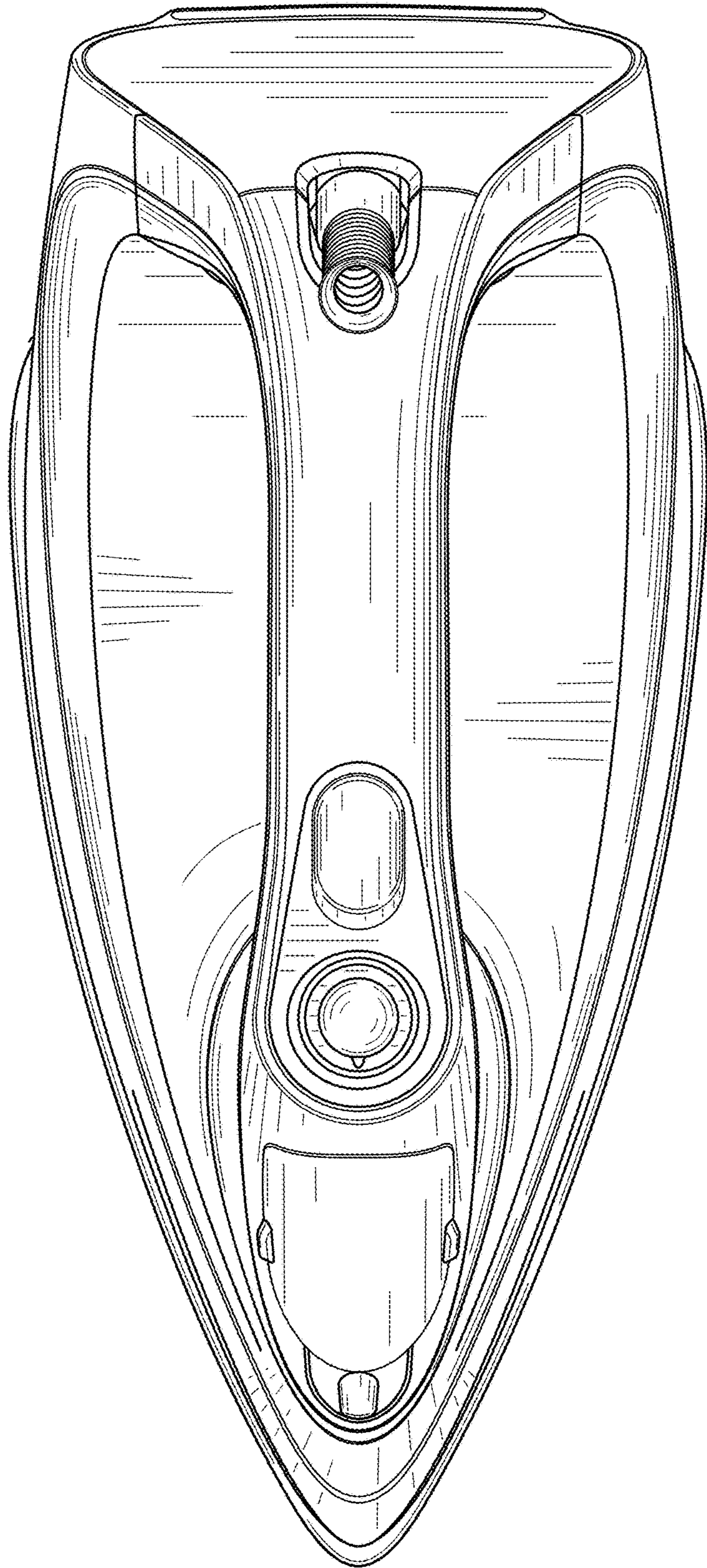


FIG. 6

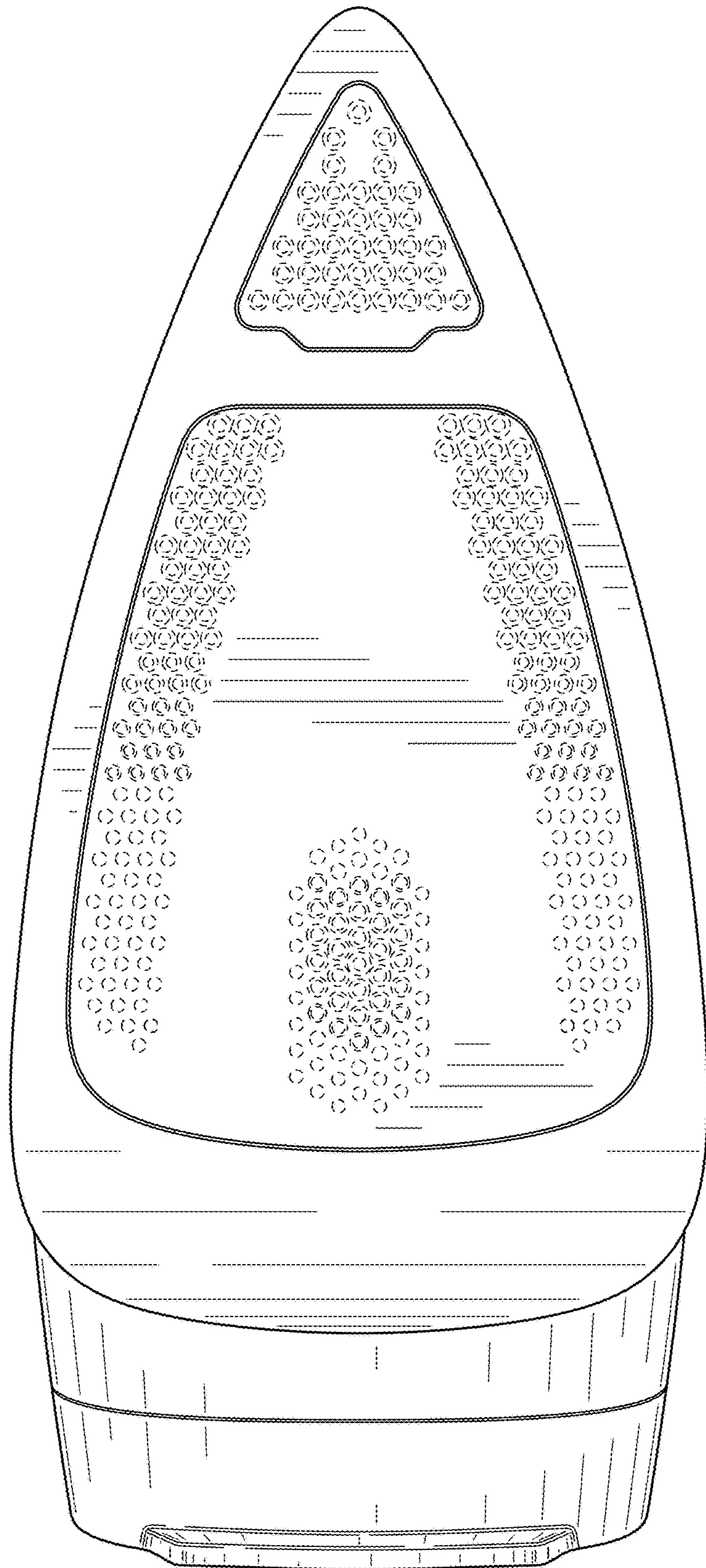


FIG. 7

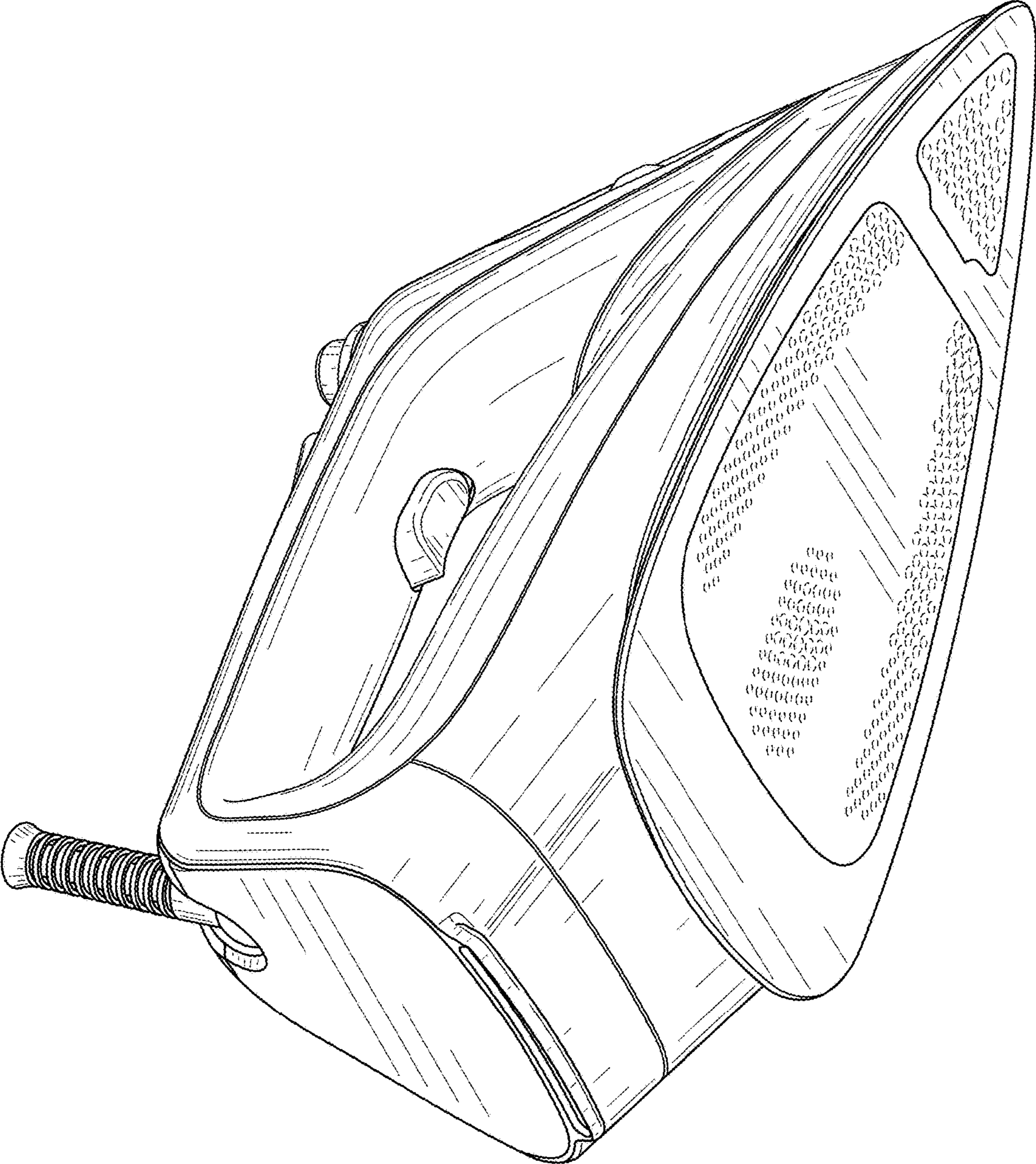


FIG. 8

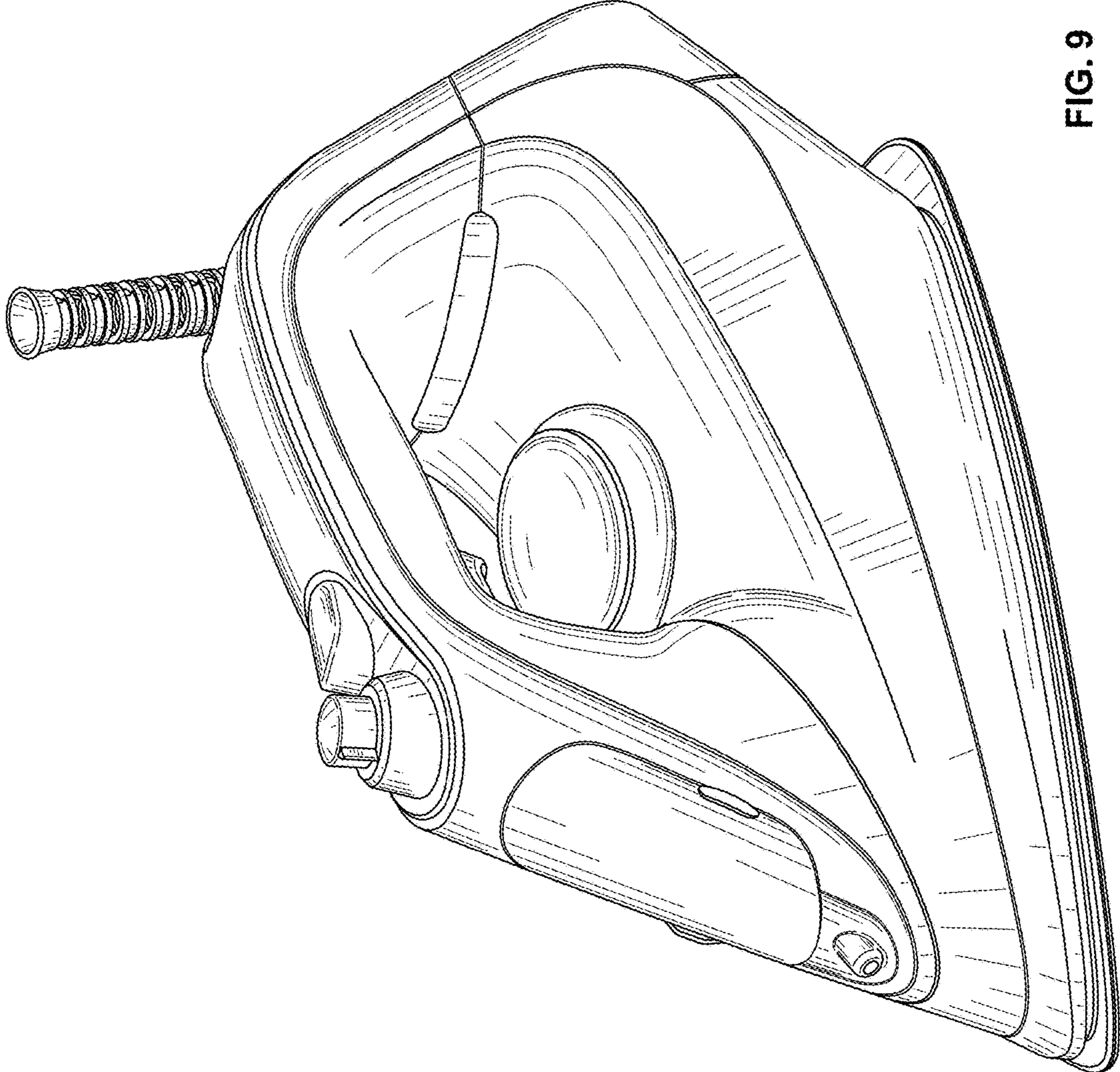


FIG. 9

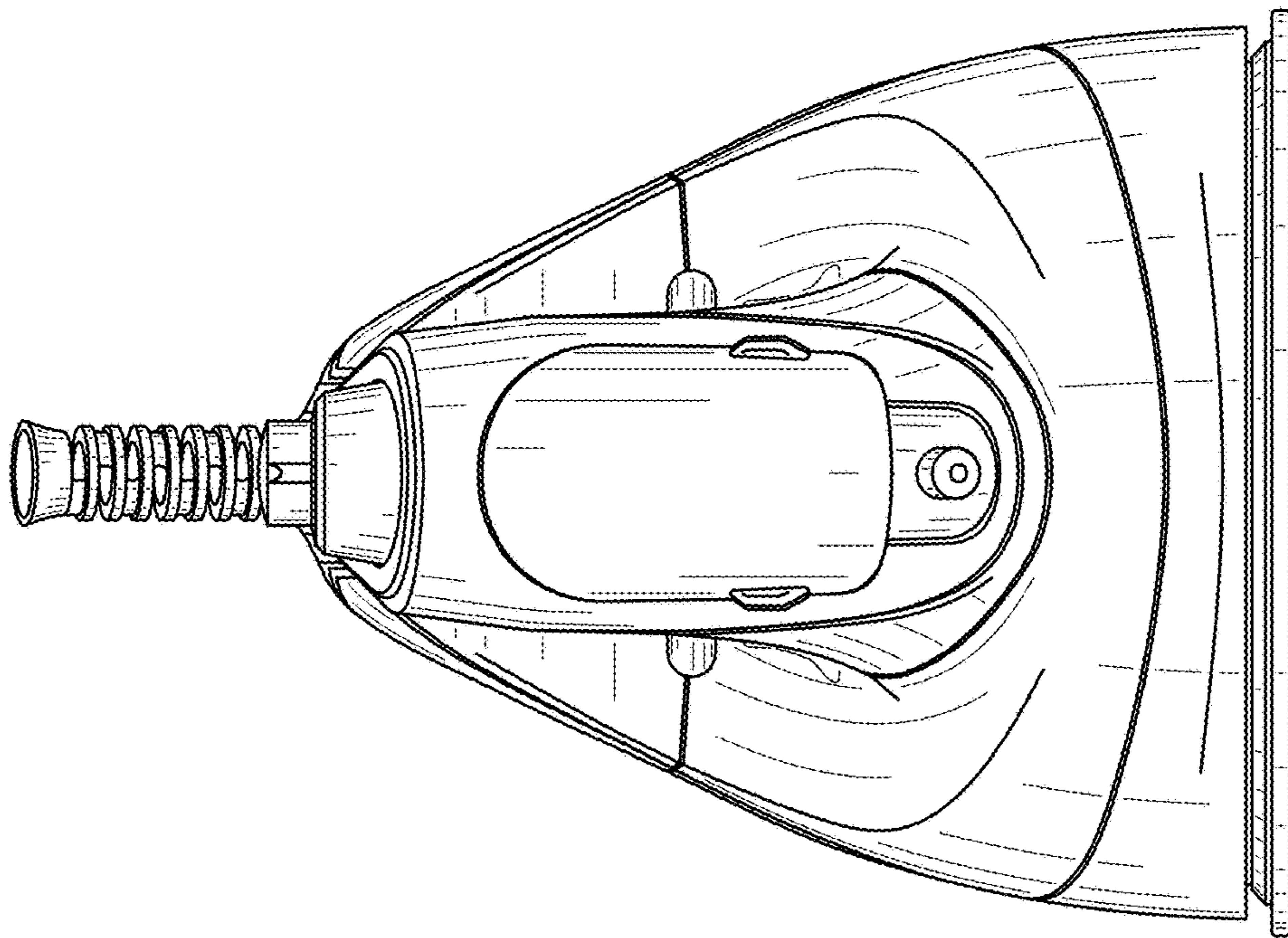


FIG. 10

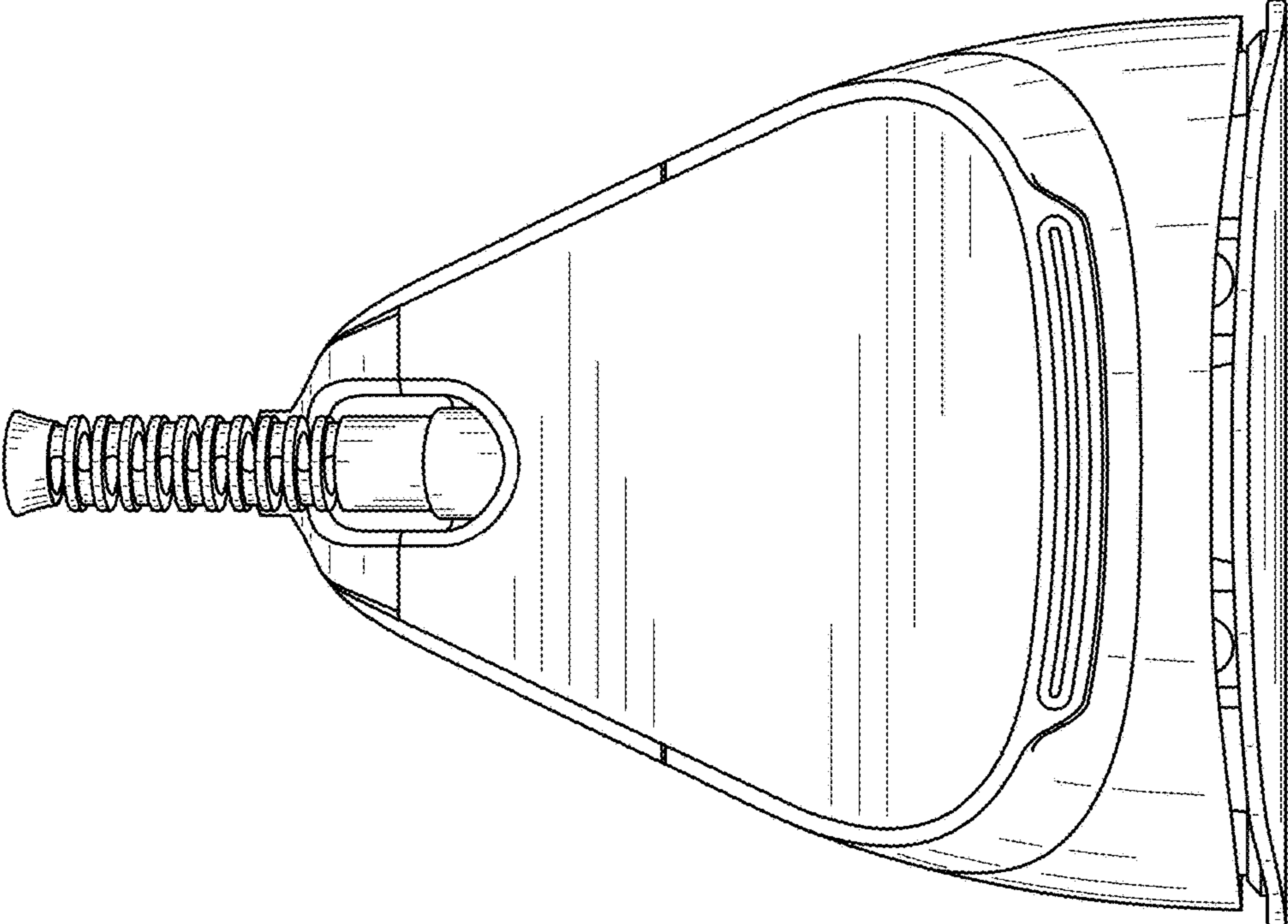


FIG. 11

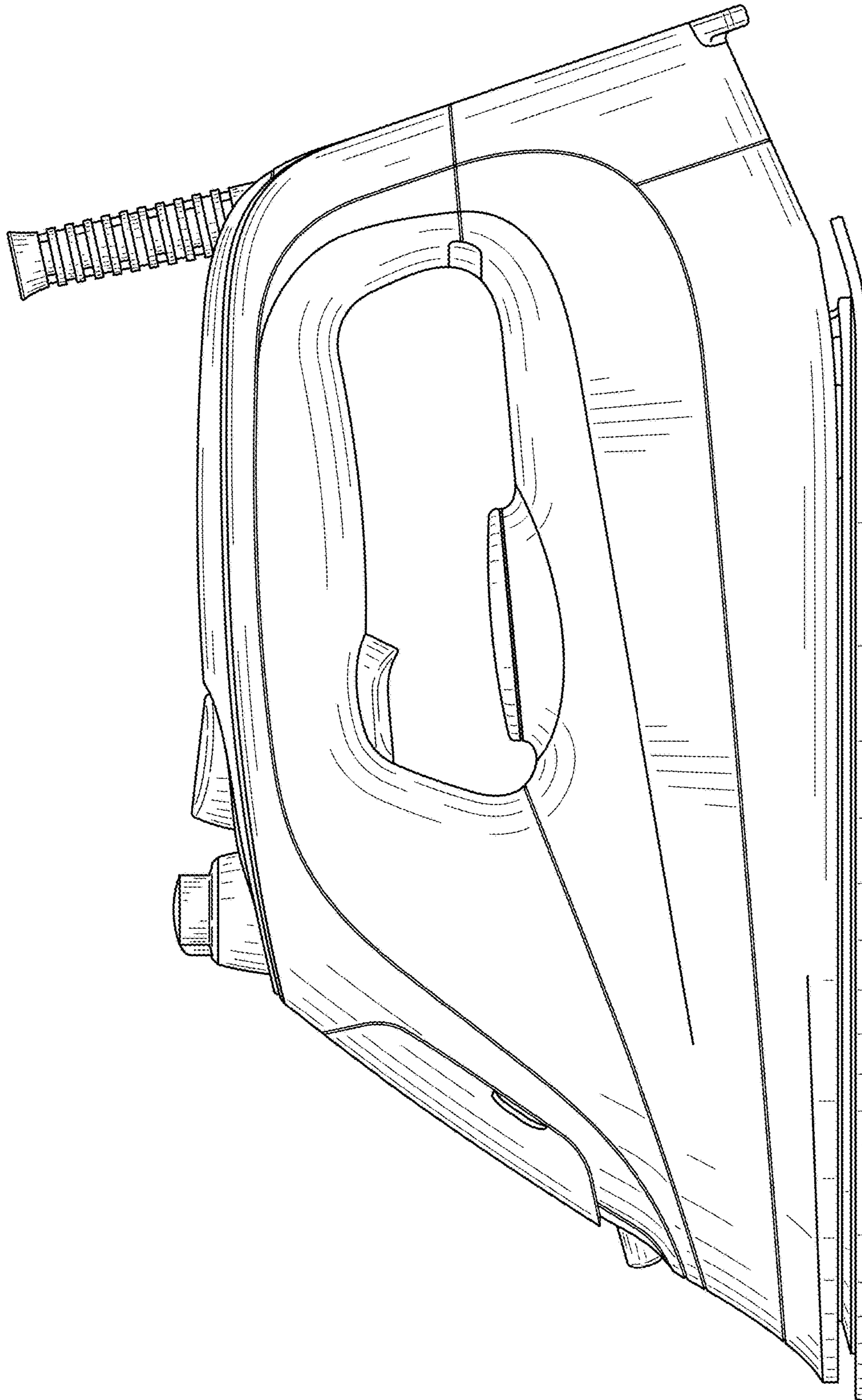


FIG. 12

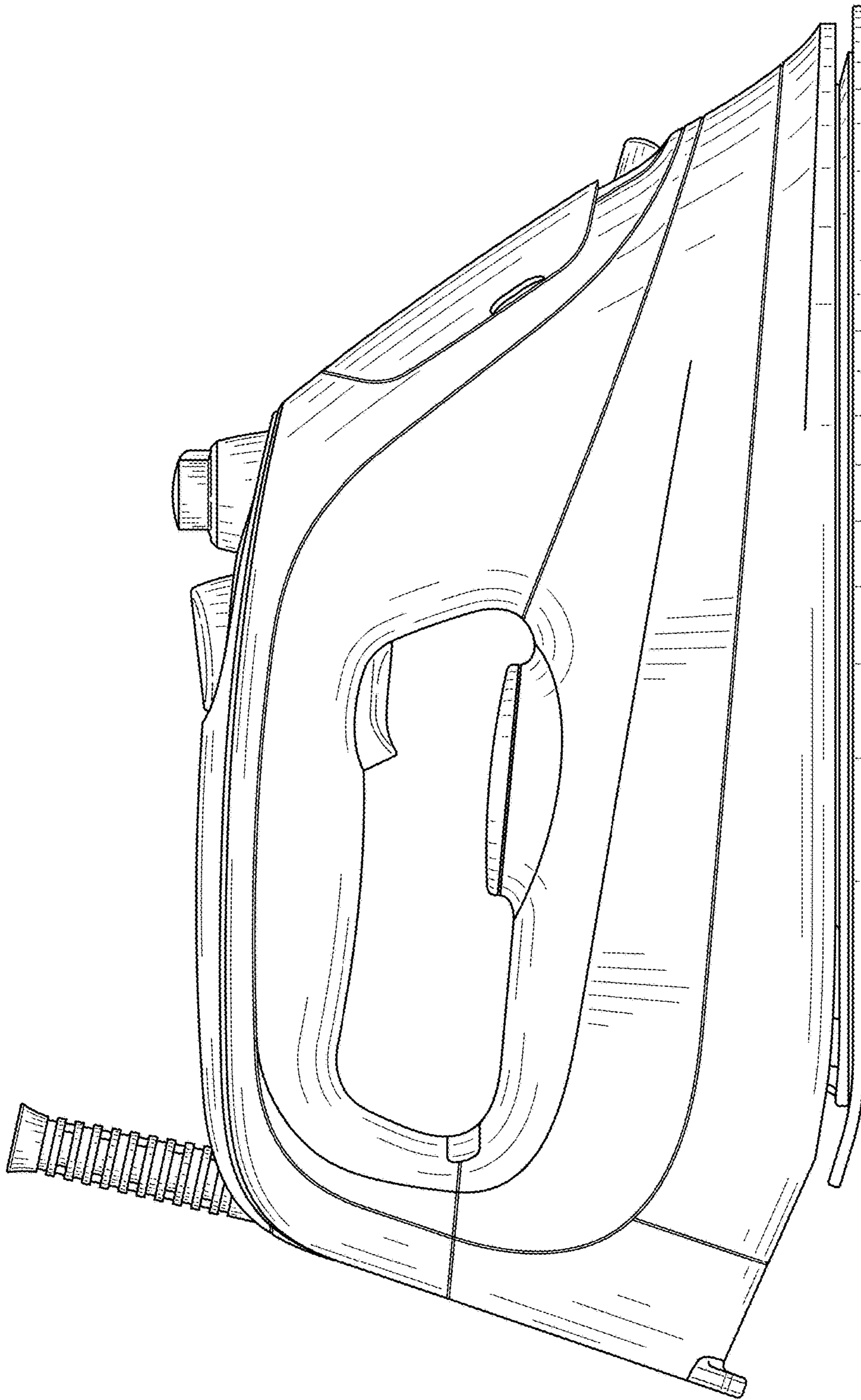


FIG.13

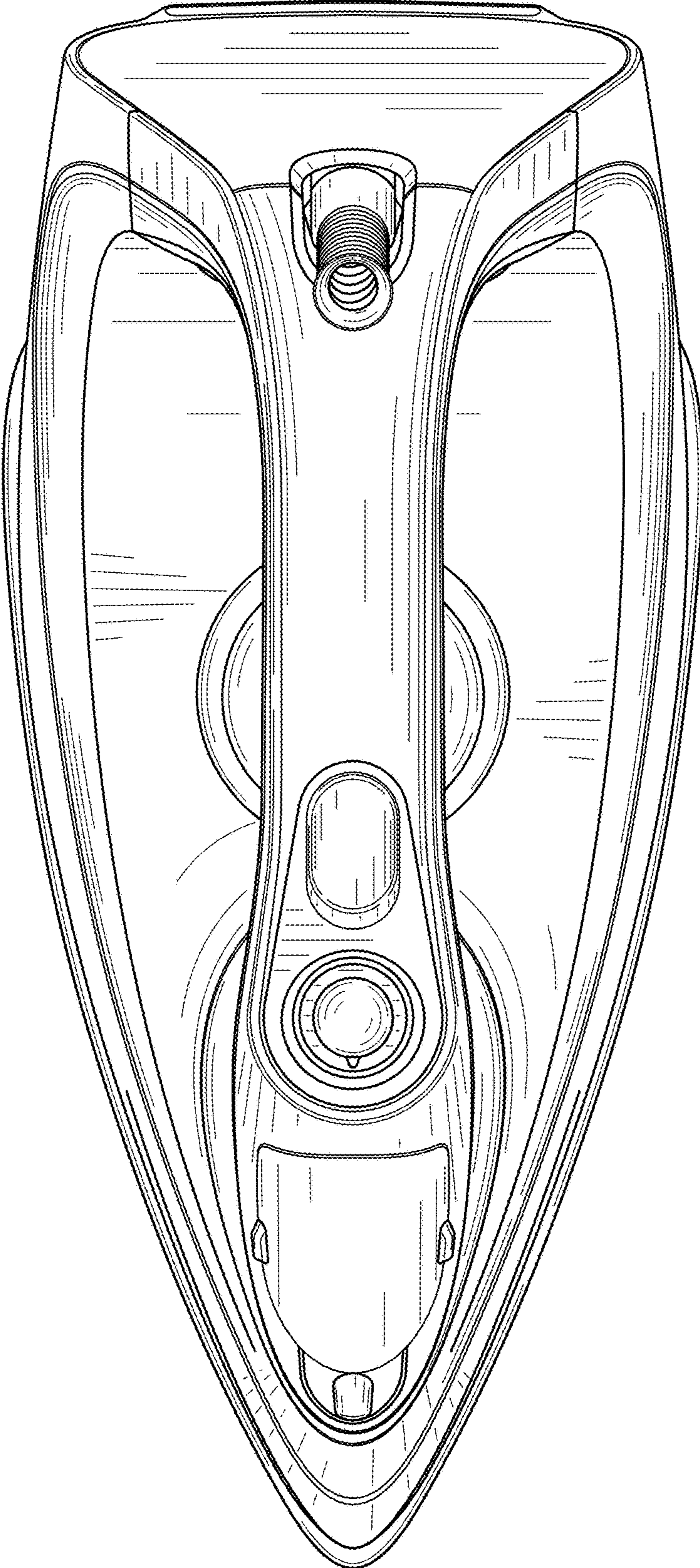


FIG. 14

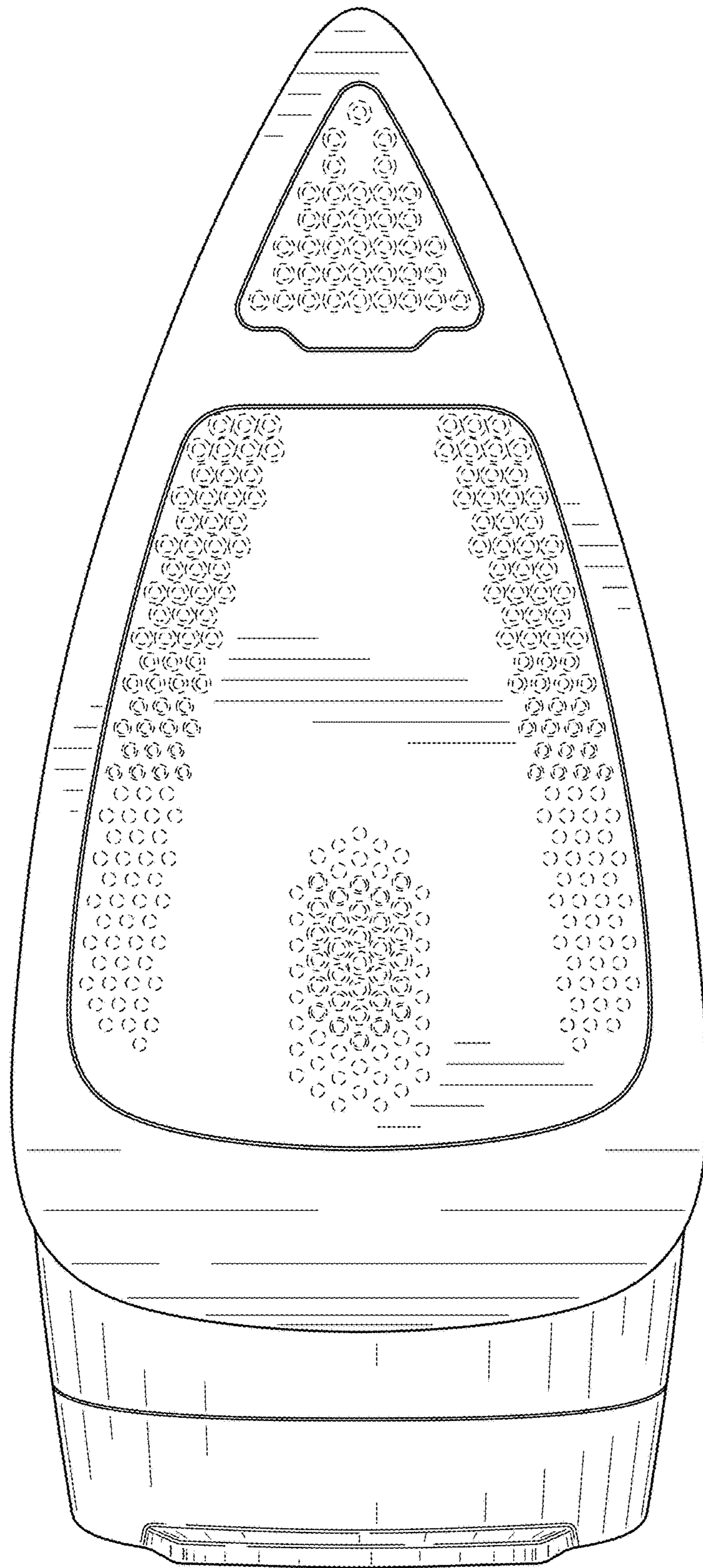


FIG. 15

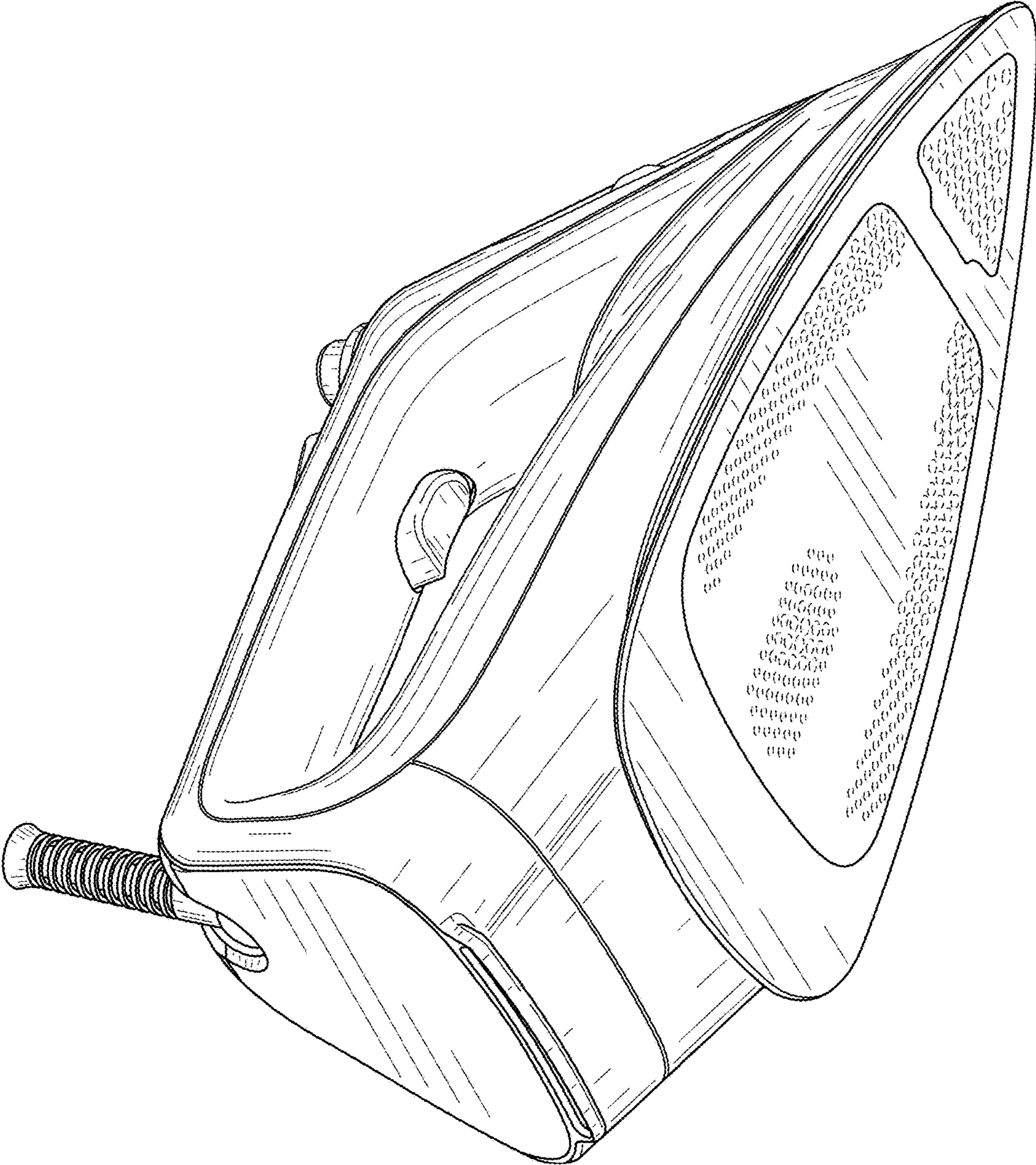


FIG.16