



US00D800983S

(12) **United States Design Patent** (10) **Patent No.:** **US D800,983 S**
Lee (45) **Date of Patent:** **** Oct. 24, 2017**

(54) **LOTTERY TICKET SCRATCHER**
(71) Applicant: **Shelita Lee**, Hernando, MS (US)
(72) Inventor: **Shelita Lee**, Hernando, MS (US)
(**) Term: **15 Years**
(21) Appl. No.: **29/575,605**

D474,651 S * 5/2003 Ward D7/615
D499,314 S * 12/2004 Wagner D7/670
D510,509 S * 10/2005 Graves D7/678
6,966,510 B2 * 11/2005 Pai A47J 43/255
241/168
D518,735 S * 4/2006 Clamage D9/551
D551,818 S 9/2007 Rongotes
D555,013 S * 11/2007 Bartolone D9/738
D591,589 S * 5/2009 Myers D7/615

(Continued)

(22) Filed: **Aug. 26, 2016**
(51) **LOC (10) Cl.** **04-01**
(52) **U.S. Cl.**
USPC **D32/46; D9/516**
(58) **Field of Classification Search**
USPC D9/530, 535, 537-539, 541-545,
D9/558-559, 565-567, 440, 522, 561,
D9/556, 718, 738, 745-748, 516,
D9/434-437, 499; D28/73, 76-77;
D3/202; D32/40-42, 46
CPC B65D 85/00; B67D 3/00; A45C 11/324
See application file for complete search history.

FOREIGN PATENT DOCUMENTS

CN 3285585 * 4/2003
EP 0824944 8/1997

(Continued)

OTHER PUBLICATIONS

Spice containers | spice bottles | glass spice jars |, website 2017,
<http://www.solutions-stores.ca/spice-jar-white-lid/>, [site visited Jun.
10, 2017 9:59:34 PM].*

(Continued)

Primary Examiner — John Windmuller
Assistant Examiner — John R Yeh

(56) **References Cited**

U.S. PATENT DOCUMENTS

D54,310 S * 12/1919 Ellis D32/46
2,471,507 A * 5/1949 Adams A47G 19/24
222/339
3,015,429 A * 1/1962 Morici B65D 3/24
206/459.5
D245,750 S * 9/1977 Maclean D7/591
D251,103 S * 2/1979 Puustinen D7/678
D255,861 S * 7/1980 Hsu D7/381
4,662,518 A 5/1987 Chiappetta et al.
4,881,291 A 11/1989 Ellis
D317,722 S * 6/1991 Todd D9/435
5,127,720 A 7/1992 Shultz
5,402,549 A 4/1995 Forrest
D367,614 S * 3/1996 Pagarani D9/553
D373,291 S * 9/1996 Auker D7/667
5,907,882 A 6/1999 Tyree
D419,399 S * 1/2000 Couto D7/678

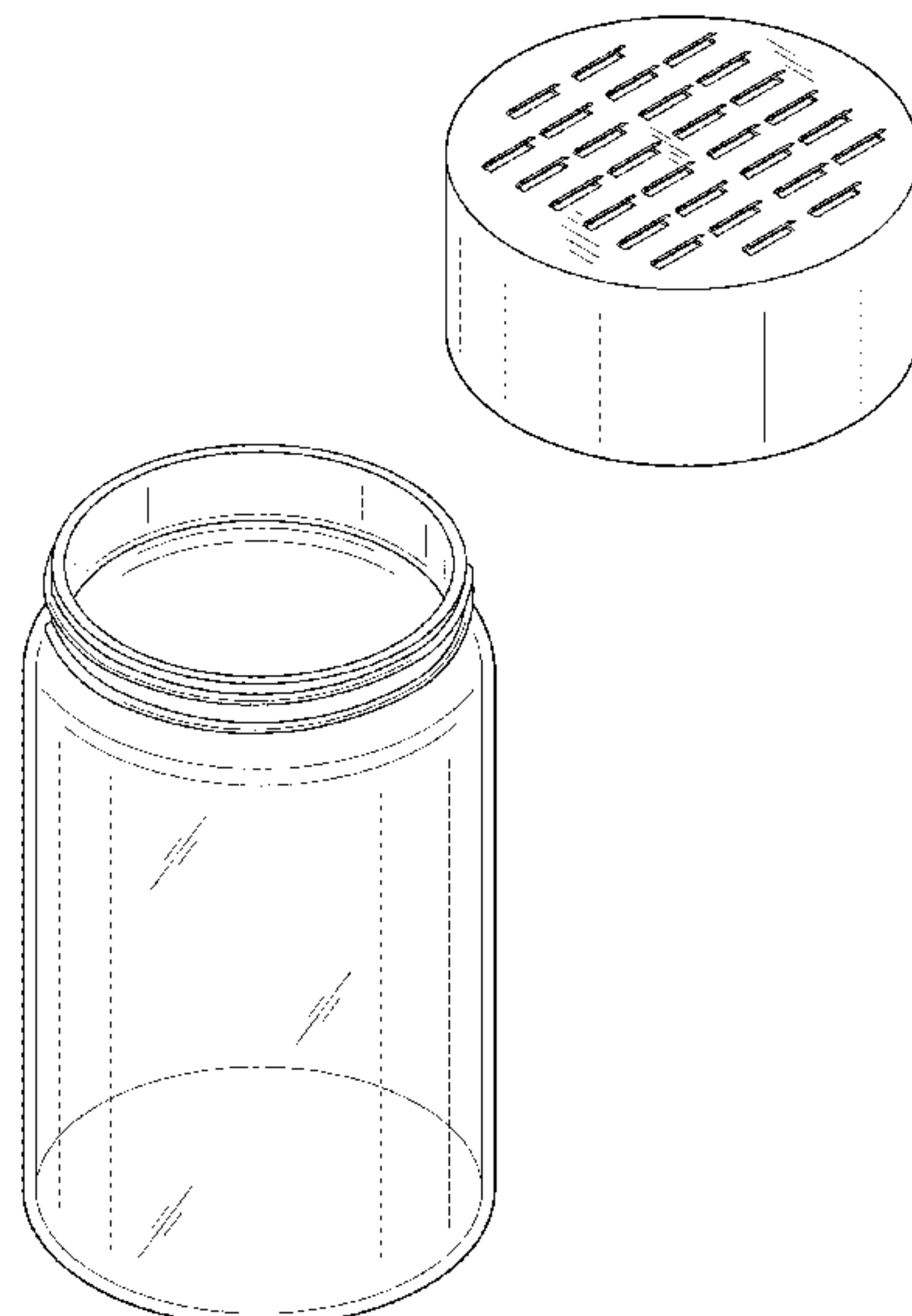
(57) **CLAIM**

The ornamental design for a lottery ticket scratcher, as shown and described.

DESCRIPTION

FIG. 1 is a front, exploded view of a lottery ticket scratcher showing my new design;
FIG. 2 is a rear view thereof;
FIG. 3 is a left side view thereof;
FIG. 4 is a right side view thereof;
FIG. 5 is a top view thereof;
FIG. 6 is a bottom view thereof; and,
FIG. 7 is a top front side perspective view thereof.

1 Claim, 7 Drawing Sheets



(56)

References Cited

U.S. PATENT DOCUMENTS

D594,288 S * 6/2009 Mah D7/678
D603,663 S * 11/2009 Bodum D7/629
D605,529 S * 12/2009 Holtrop D9/454
D641,216 S * 7/2011 Chen D7/667
D700,692 S * 3/2014 Engelhardt D23/360
9,211,030 B2 * 12/2015 France A47J 27/16
D780,533 S * 3/2017 Seiders D7/608

FOREIGN PATENT DOCUMENTS

GB 2041540 * 10/1995
WO WO D078615-017 * 7/2012

OTHER PUBLICATIONS

Jar Lid—Grater—Solutions, website 2017, <http://www.solutions-stores.ca/jar-lid-grater/>, [site visited Jun. 10, 2017 9:58:21 PM].*
Schoko Nuss Porridge im Glas—Lieblingsglas, comments 2017, <https://www.lieblingsglas.de/schoko-nuss-porridge-im-glas/>, [site visited Jun. 10, 2017 9:53:46 PM].*

* cited by examiner

FIG. 1

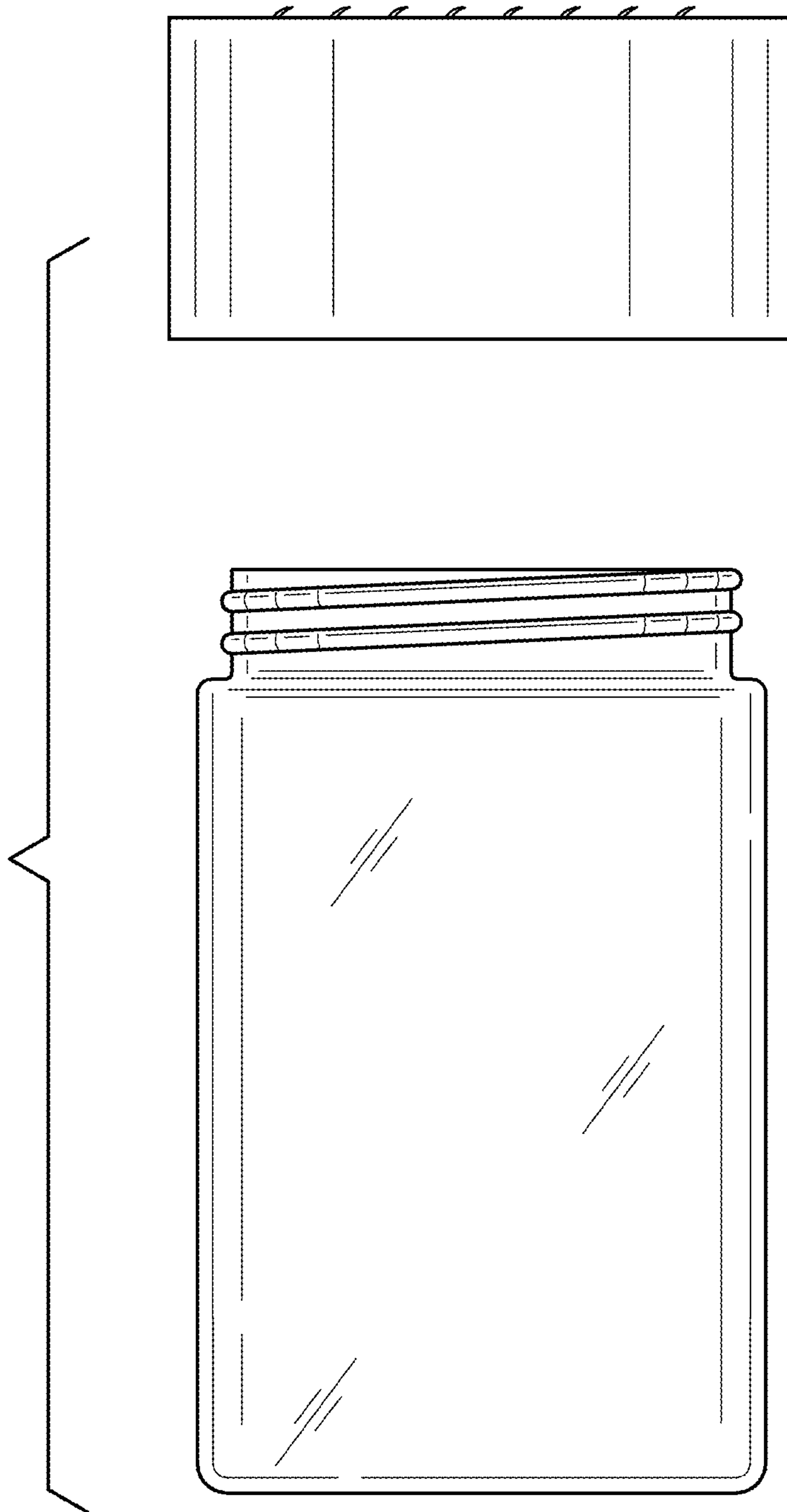
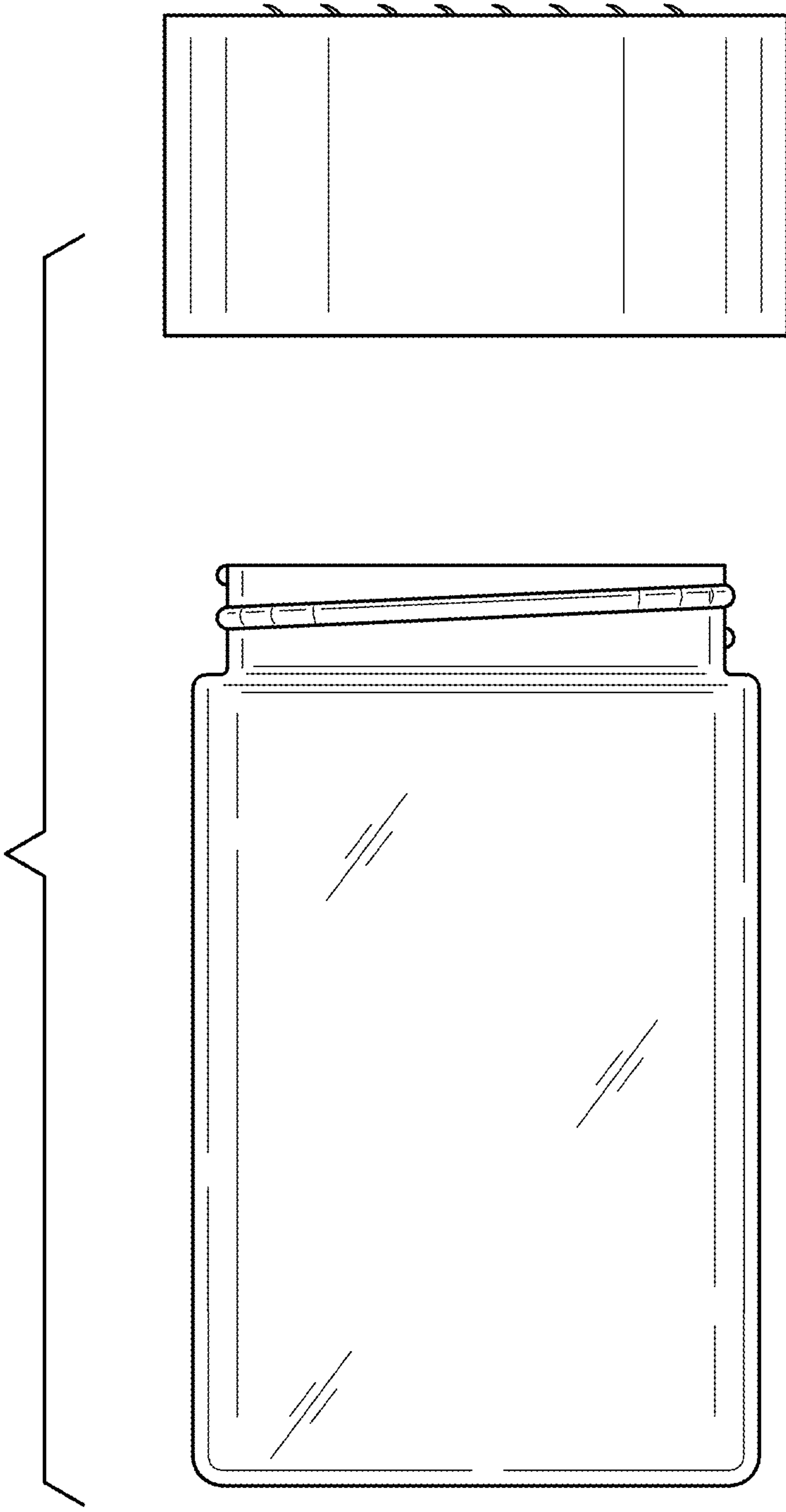


FIG. 2



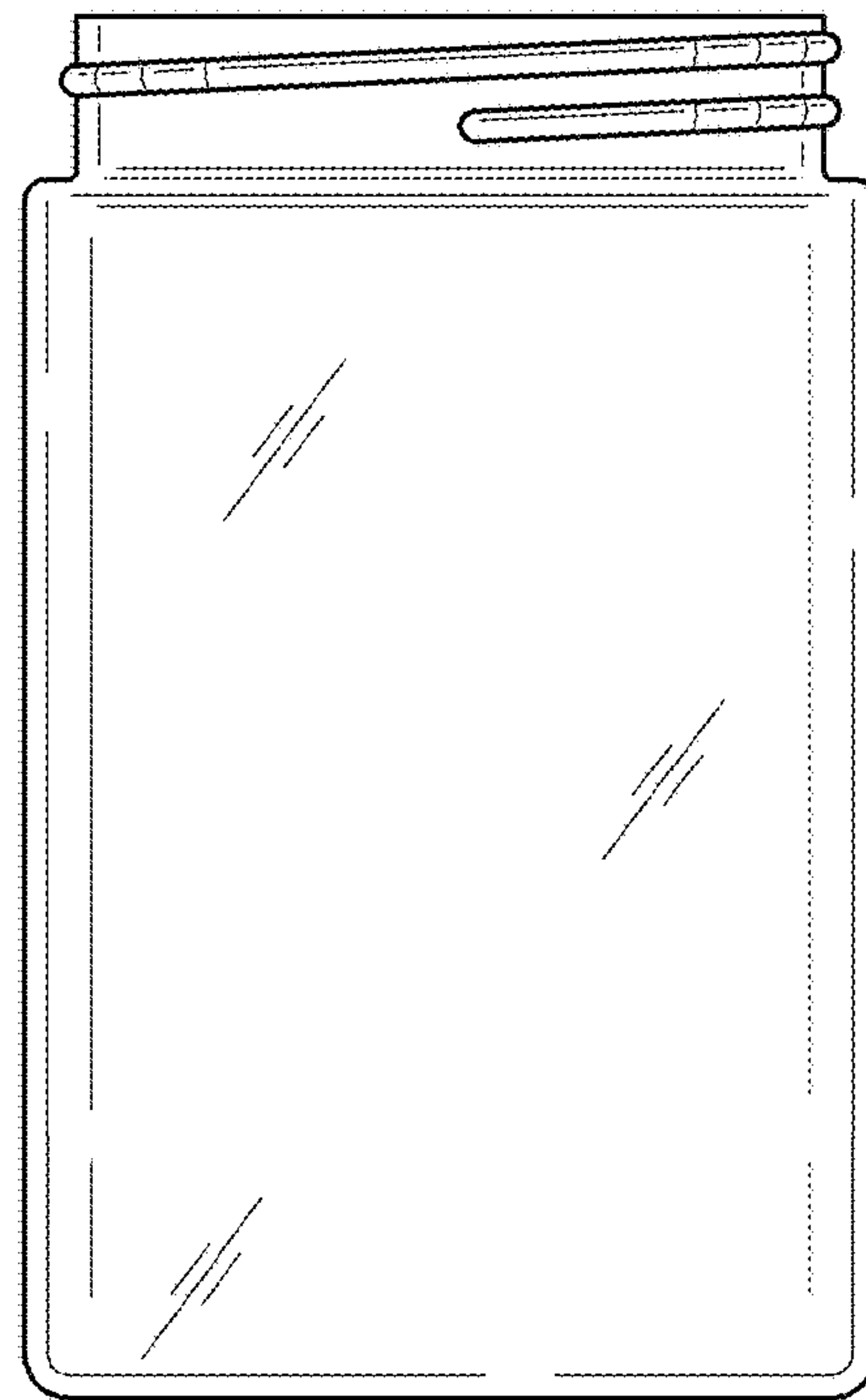
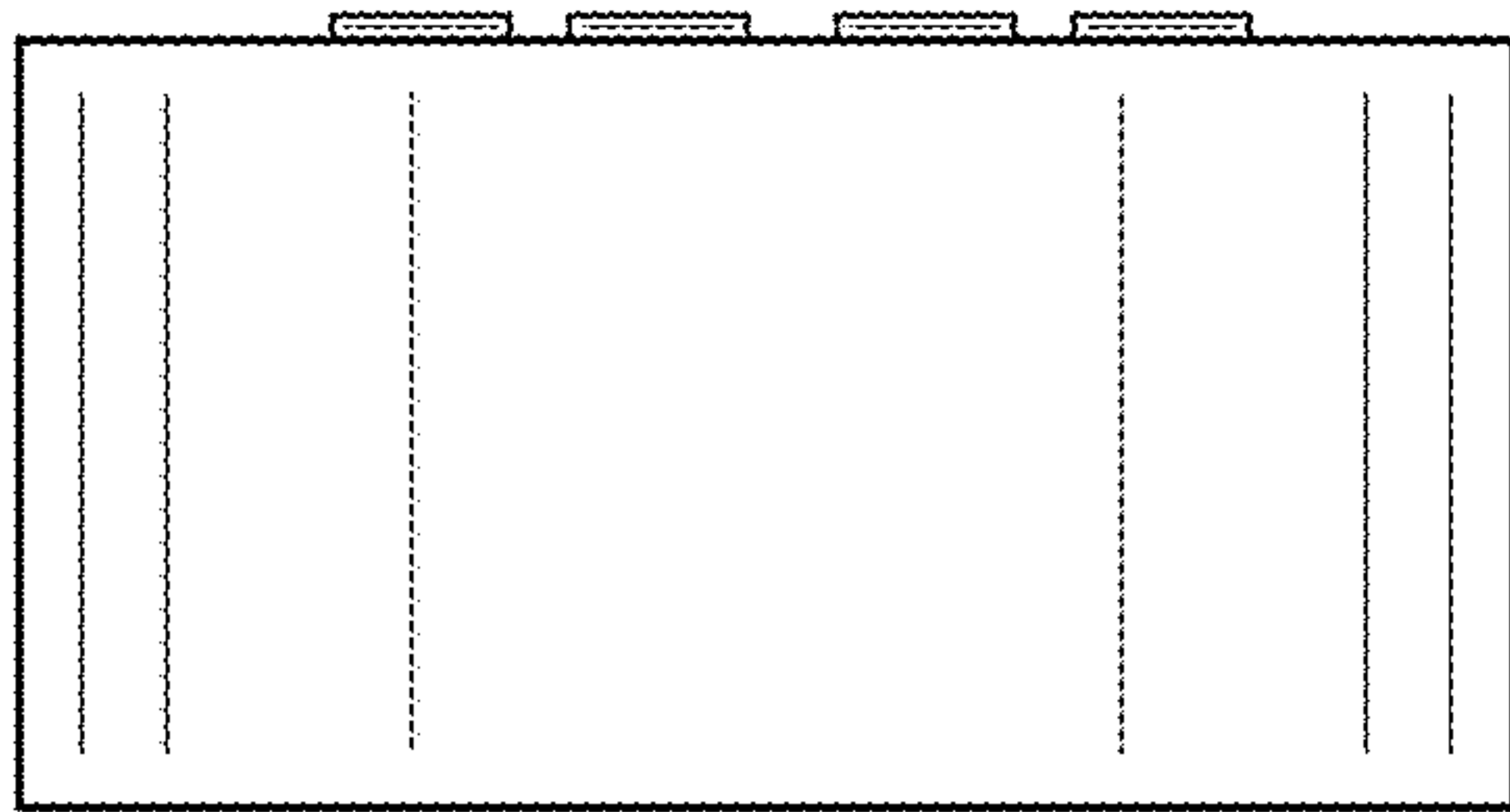


FIG. 3

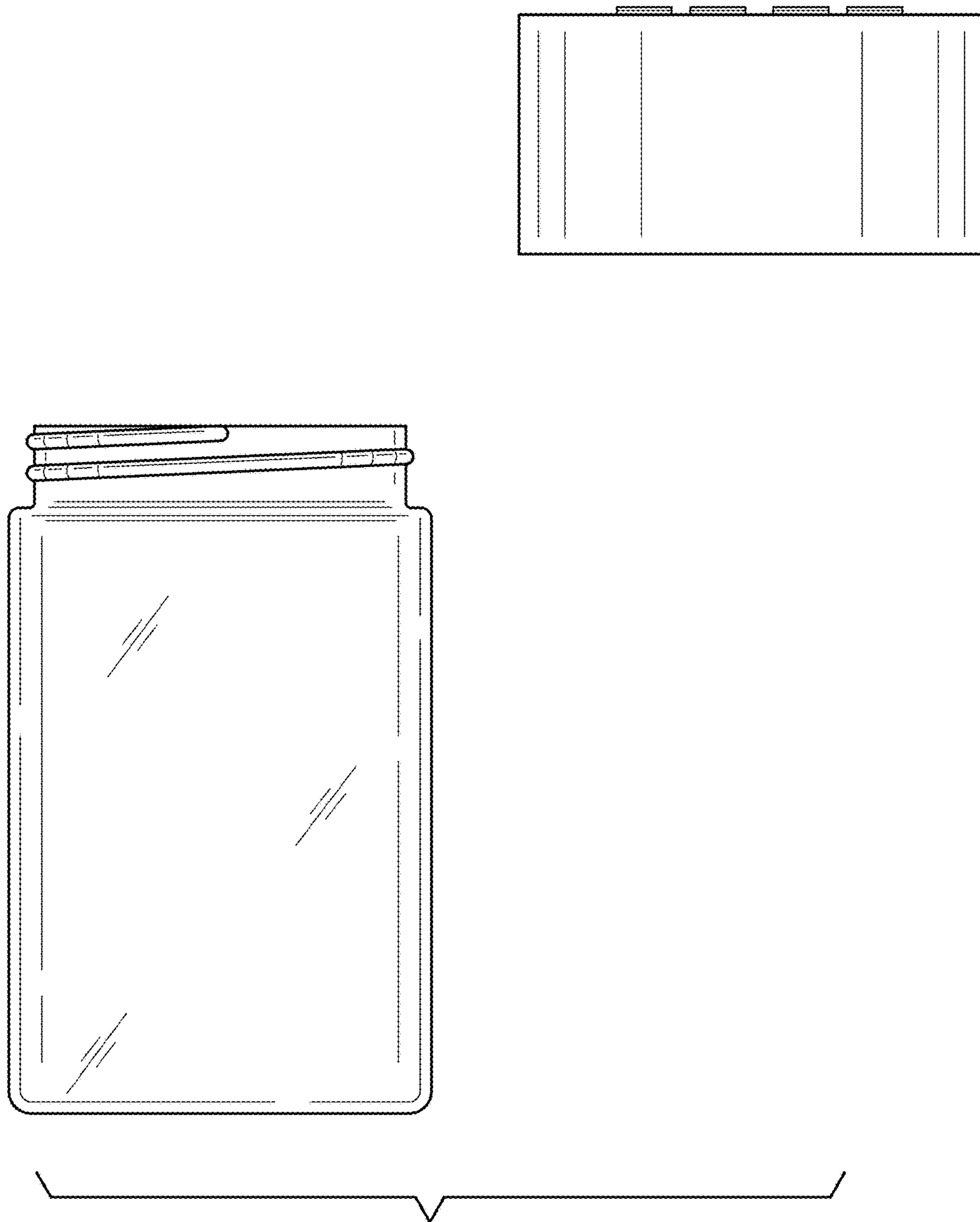


FIG. 4

FIG. 5

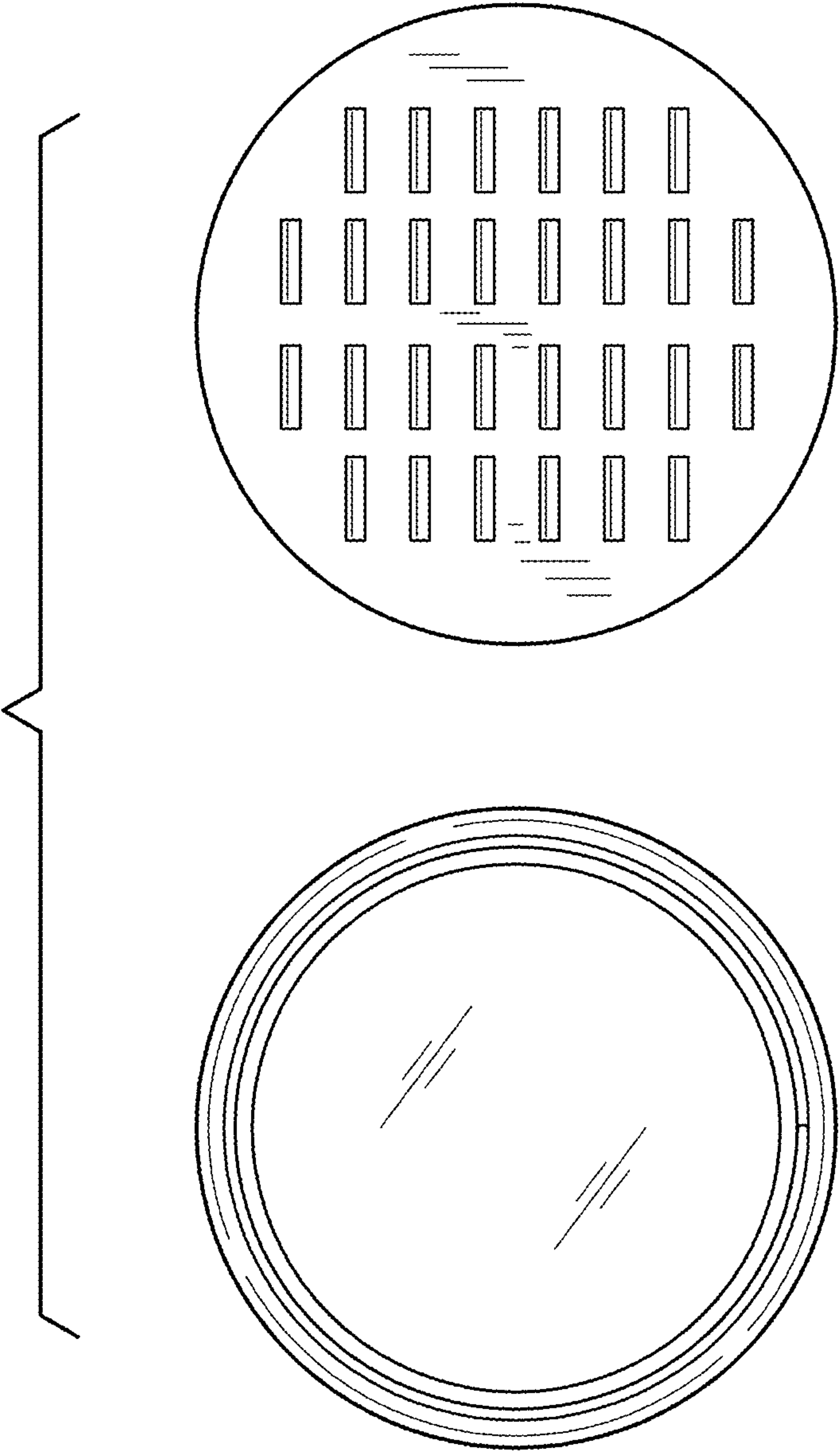
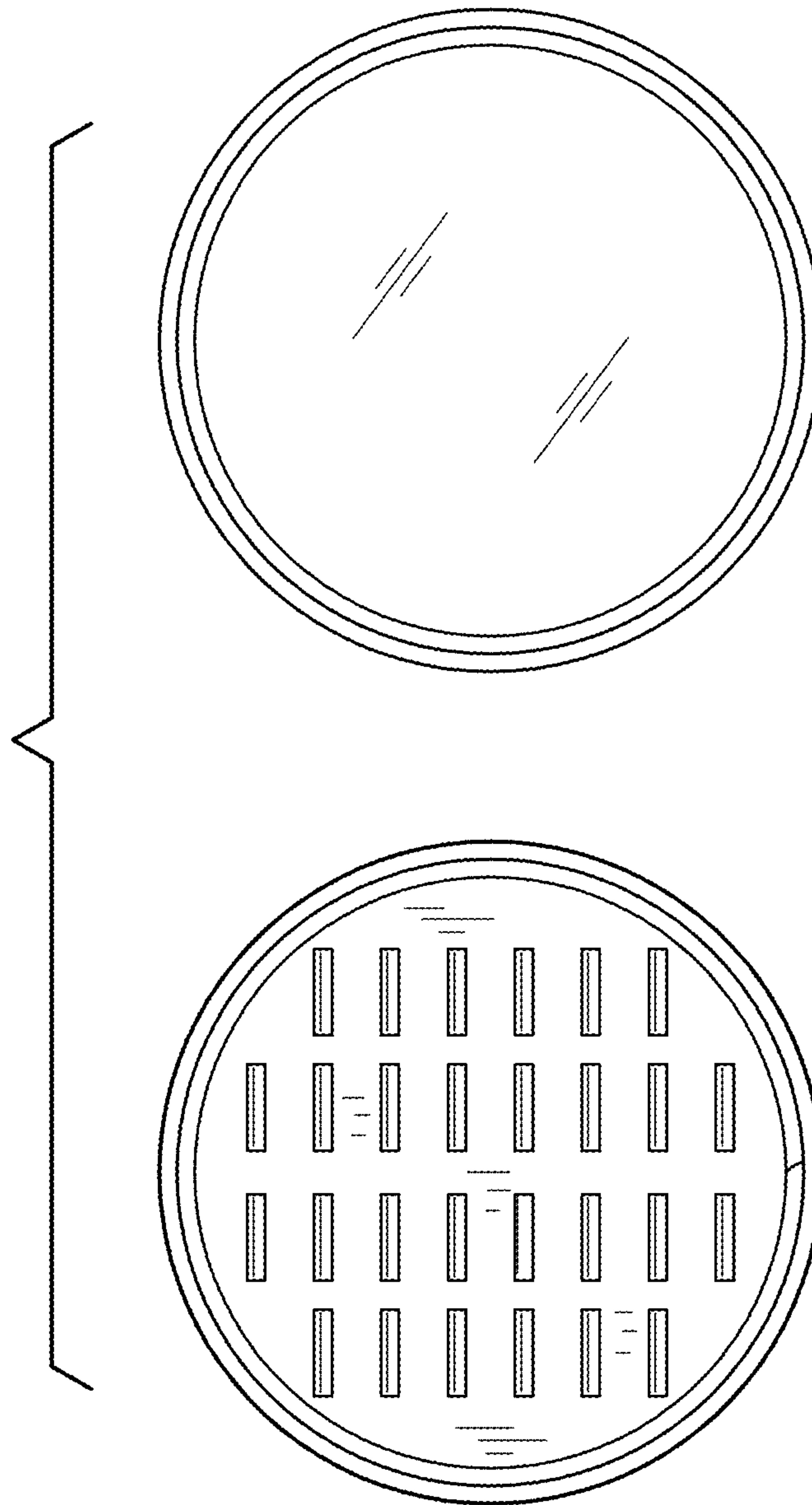


FIG. 6



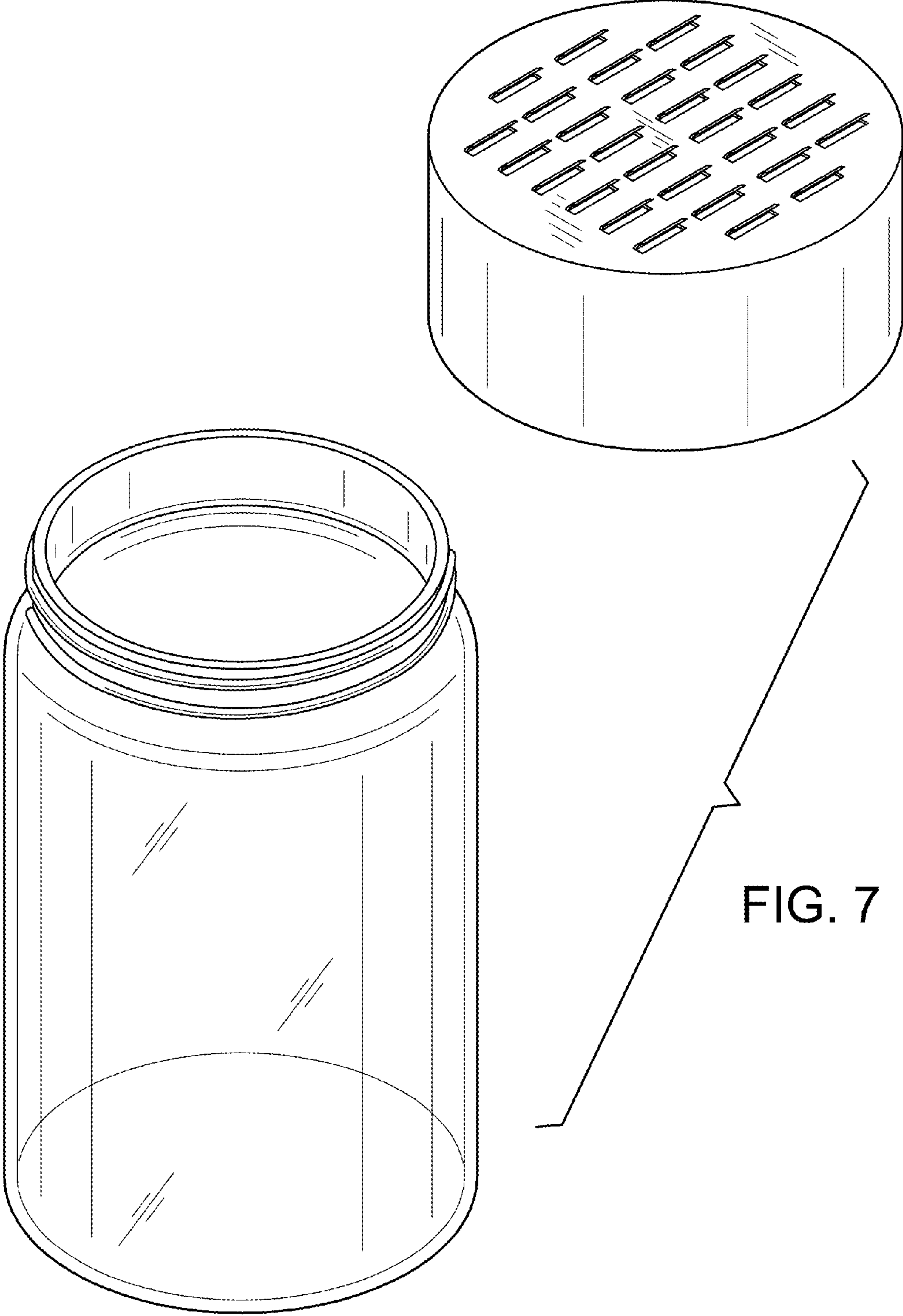


FIG. 7