



US00D800979S

(12) **United States Design Patent**
Ingram

(10) **Patent No.:** **US D800,979 S**

(45) **Date of Patent:** **** Oct. 24, 2017**

(54) **VACUUM SEPARATOR**

(71) Applicant: **Keirton Inc.**, Surrey (CA)

(72) Inventor: **Erik Ingram**, Abbotsford (CA)

(73) Assignee: **Keirton Inc.**, Surrey (CA)

(**) Term: **15 Years**

(21) Appl. No.: **29/570,500**

(22) Filed: **Jul. 8, 2016**

(30) **Foreign Application Priority Data**

Feb. 22, 2016 (CA) 167063

(51) **LOC (10) Cl.** **15-05**

(52) **U.S. Cl.**
USPC **D32/21**

(58) **Field of Classification Search**
USPC D32/21, 22, 31, 1
CPC B01D 46/10; B01D 46/00; B01D 46/0002;
A47L 9/1683; A47L 5/00
See application file for complete search history.

(56) **References Cited**

U.S. PATENT DOCUMENTS

D527,852 S * 9/2006 Tsai D32/1
D549,892 S * 8/2007 Lin D32/1
D593,264 S * 5/2009 Lin D32/21
D629,576 S * 12/2010 Cheng D32/21
D630,391 S * 1/2011 Cheng D32/21
D630,392 S * 1/2011 Lin D32/21

D634,082 S * 3/2011 Lin D32/1
D651,775 S * 1/2012 Cheng D32/21
D651,776 S * 1/2012 Cheng D32/21

OTHER PUBLICATIONS

Oneida Air Systems—The Smart Dust Collector (2011).

* cited by examiner

Primary Examiner — Ruth McInroy

(74) *Attorney, Agent, or Firm* — Oyen Wiggs Green & Mutala LLP

(57) **CLAIM**

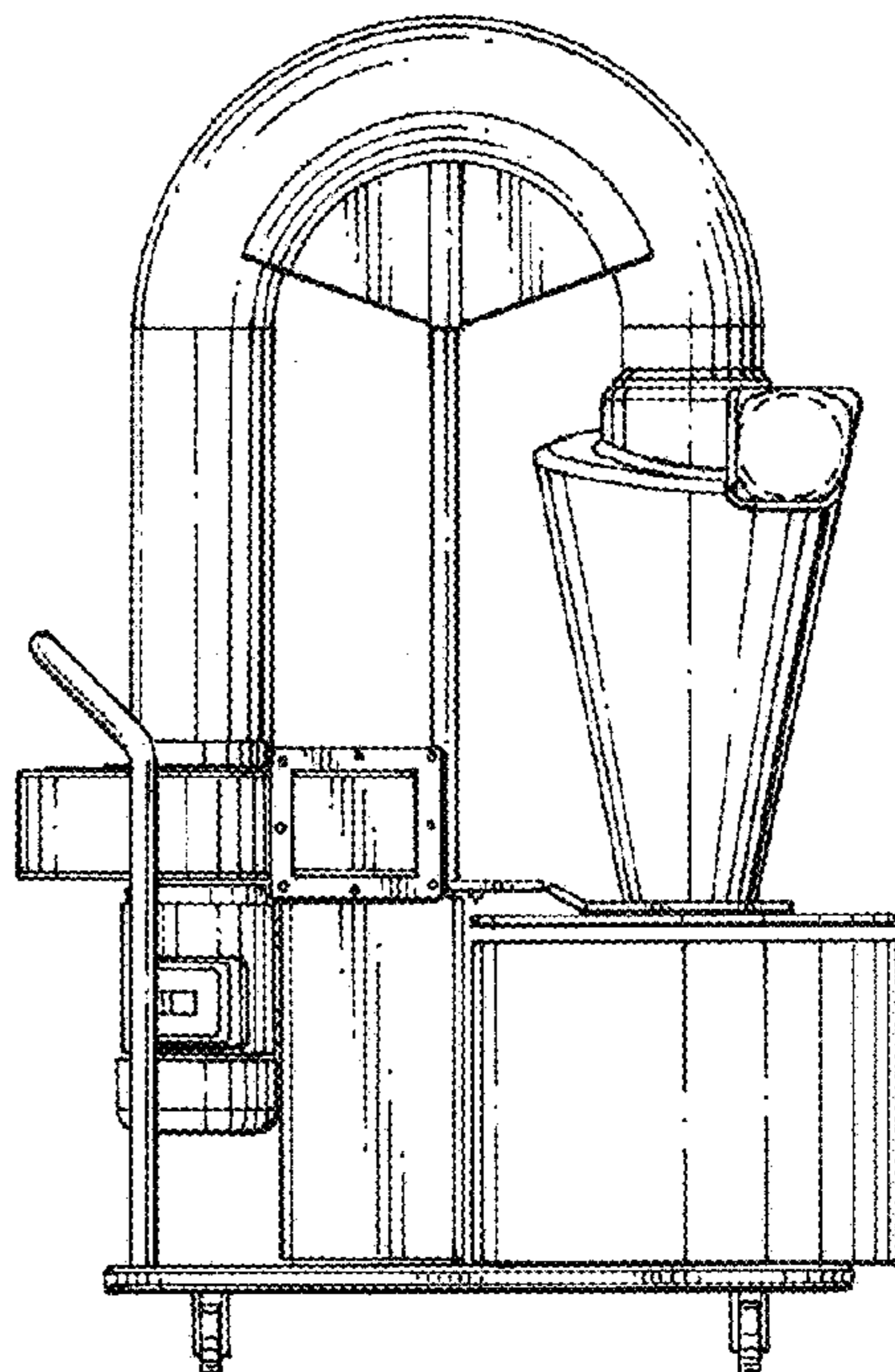
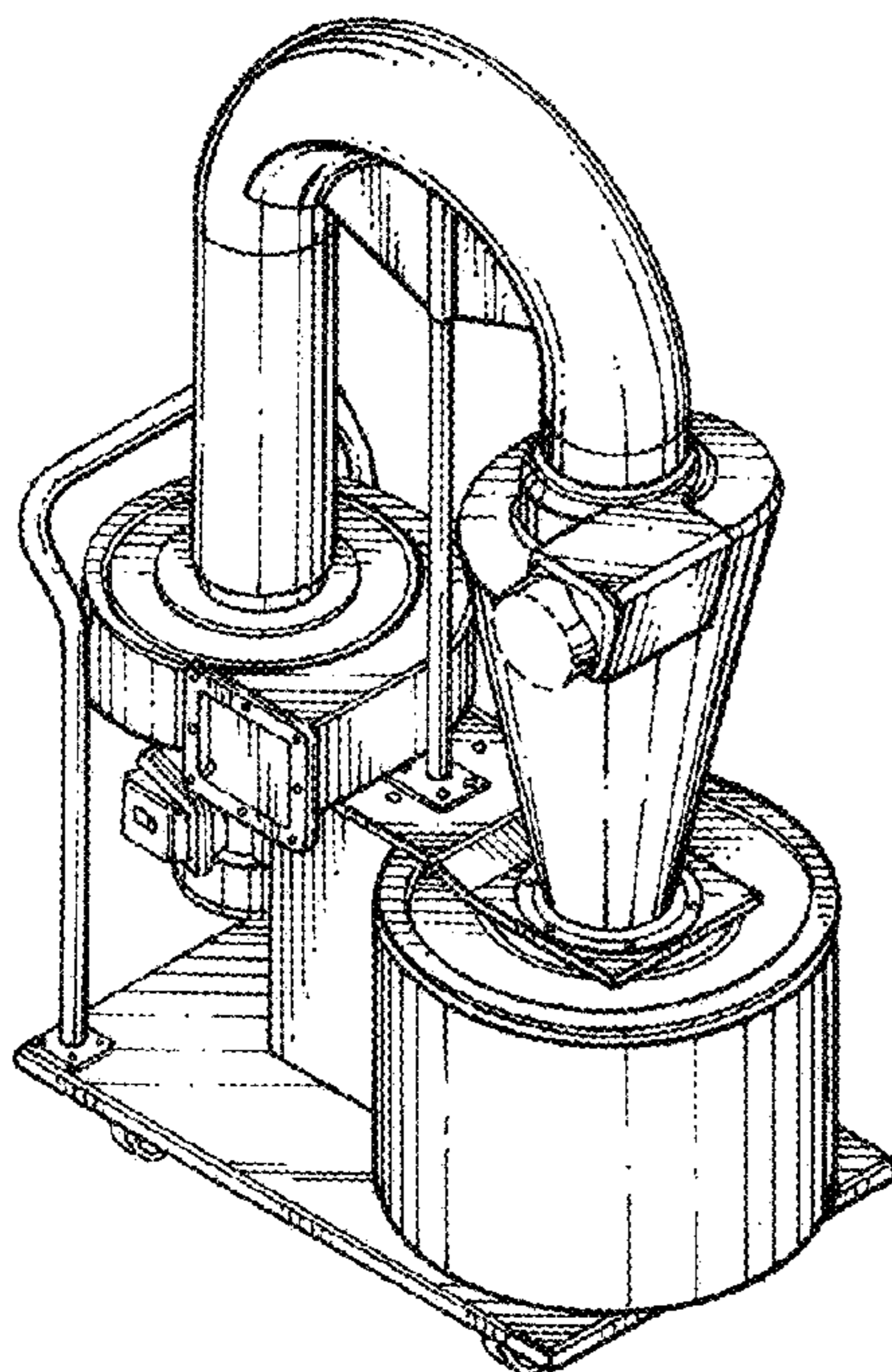
The ornamental design for a vacuum separator, as shown and described.

DESCRIPTION

FIG. 1 is a top perspective view of the vacuum separator; FIG. 2 is a front elevational view of the vacuum separator of FIG. 1; FIG. 3 is a right elevational view of the vacuum separator of FIG. 1; FIG. 4 is a left side elevational view of the vacuum separator of FIG. 1; FIG. 5 is a back elevational view of the vacuum separator of FIG. 1; FIG. 6 is a top plan view of the vacuum separator of FIG. 1; and, FIG. 7 is a bottom plan view of the vacuum separator of FIG. 1.

The features shown in broken lines are for illustrative purposes only and form no part of the claimed design.

1 Claim, 7 Drawing Sheets



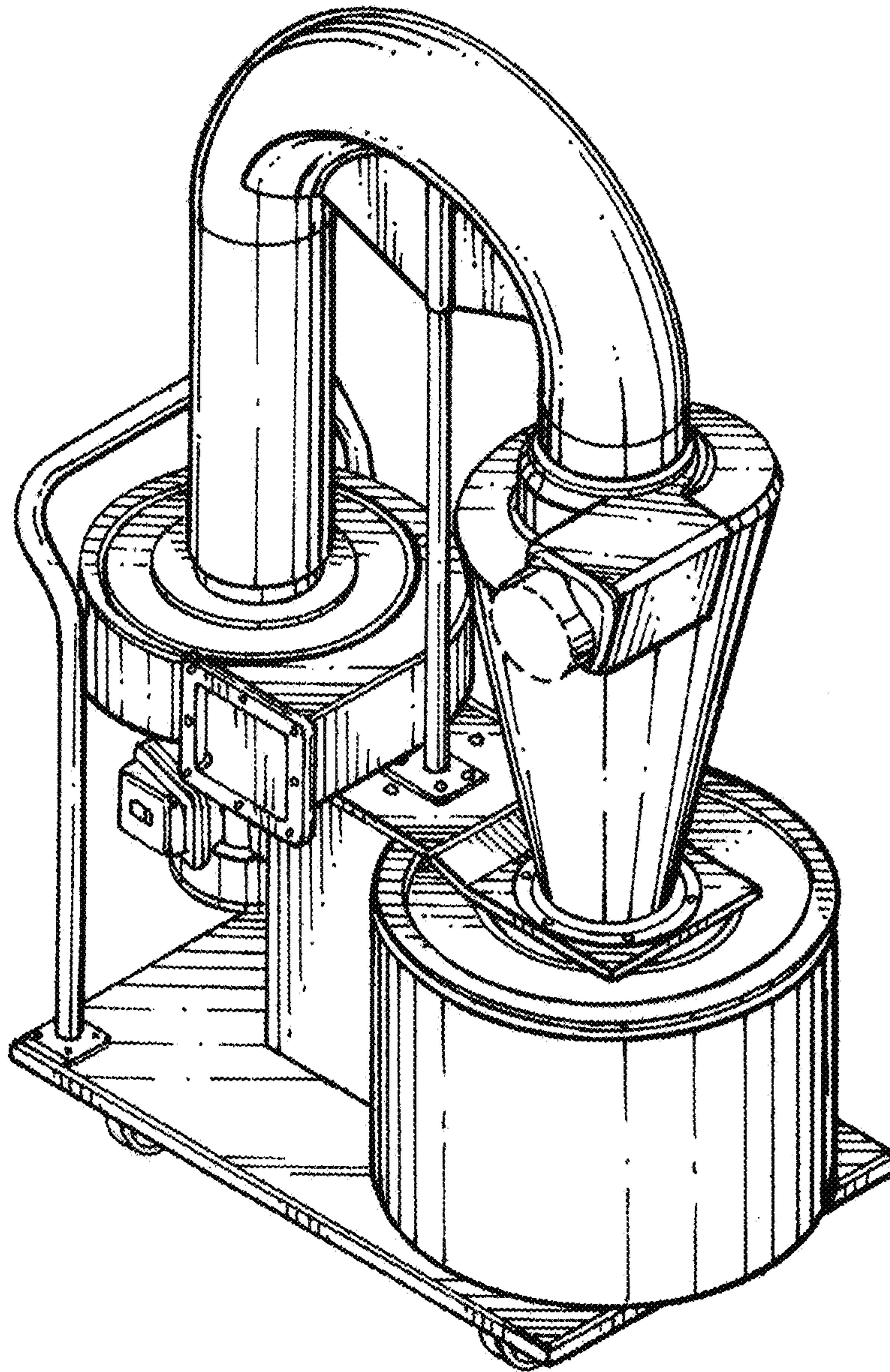


FIG. 1

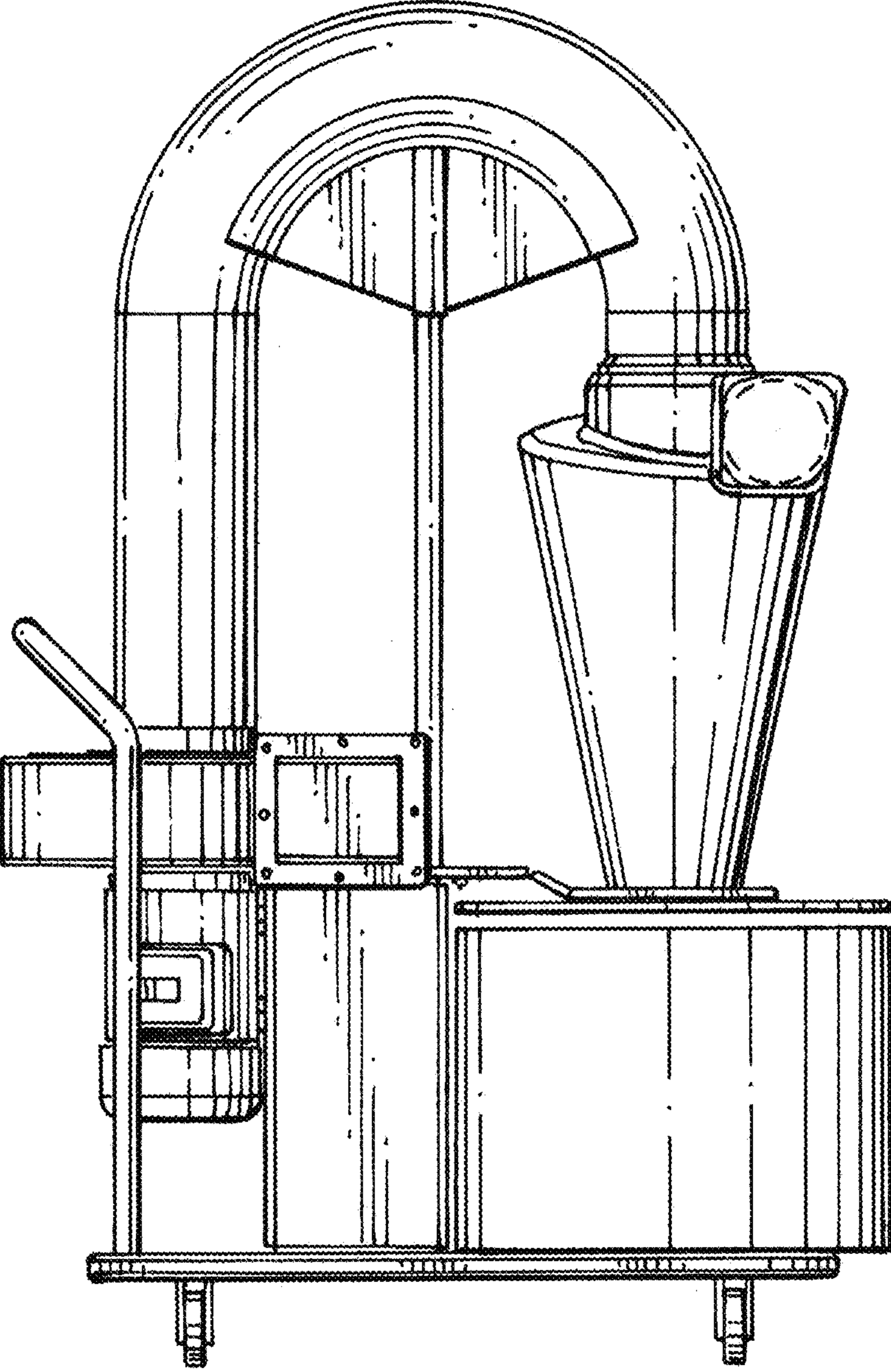


FIG. 2

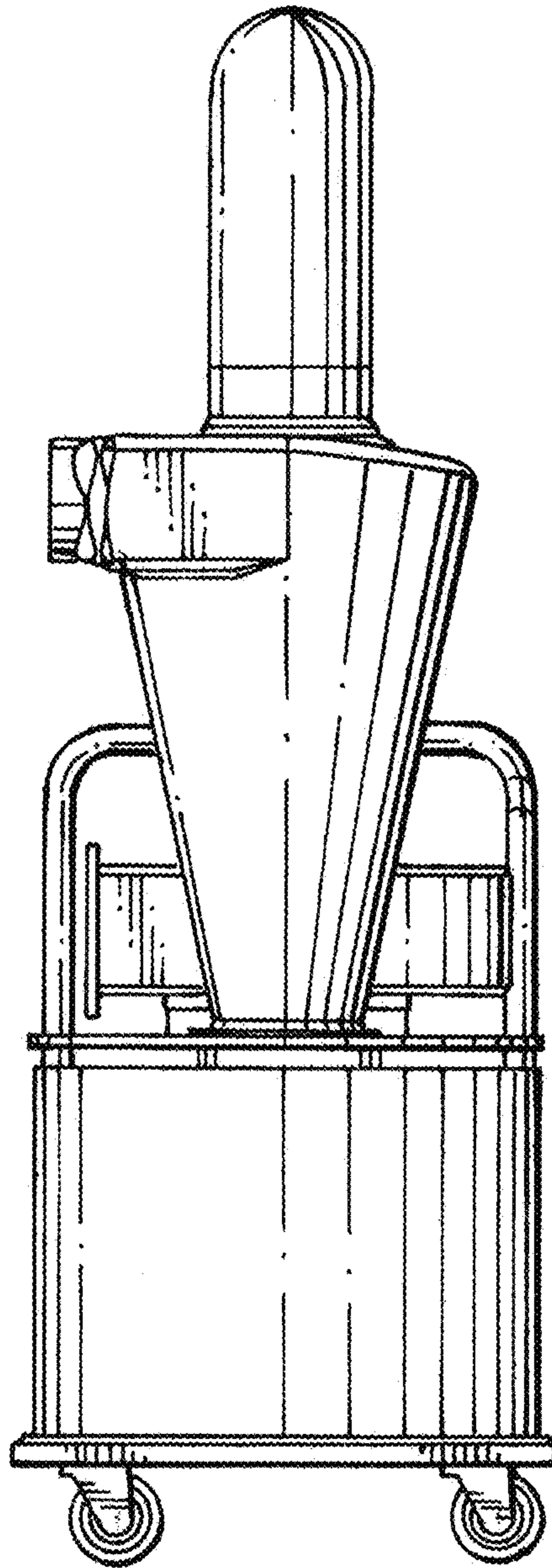


FIG. 3

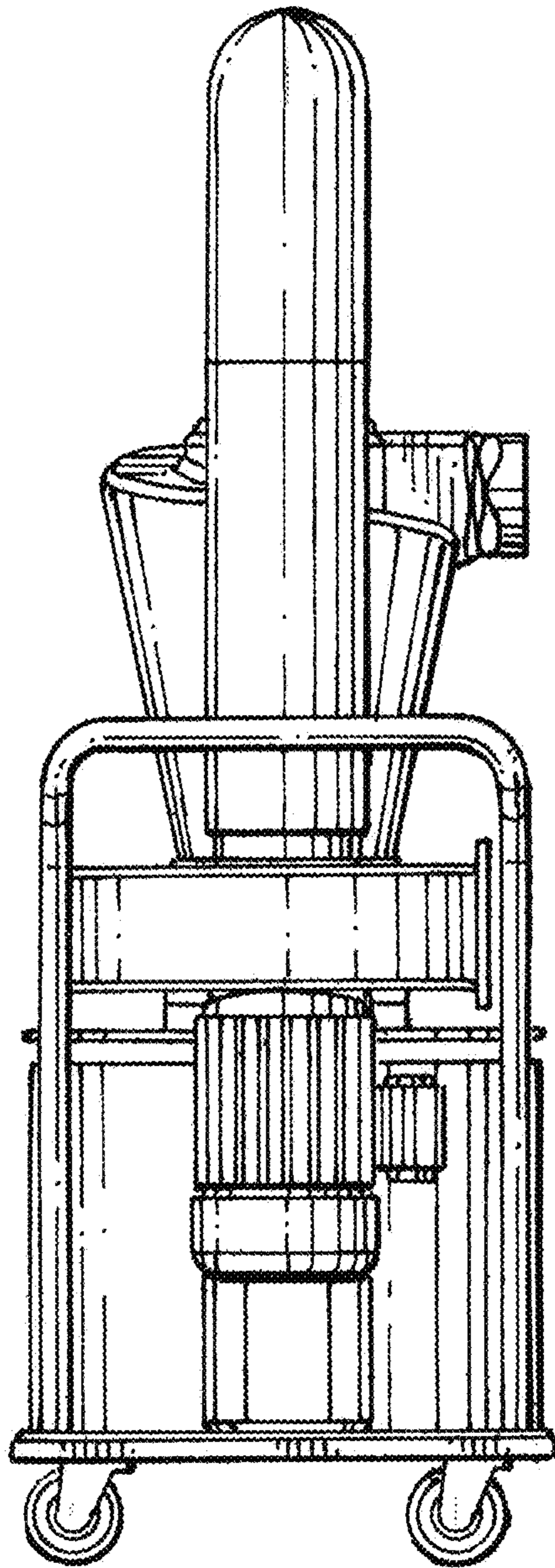


FIG. 4

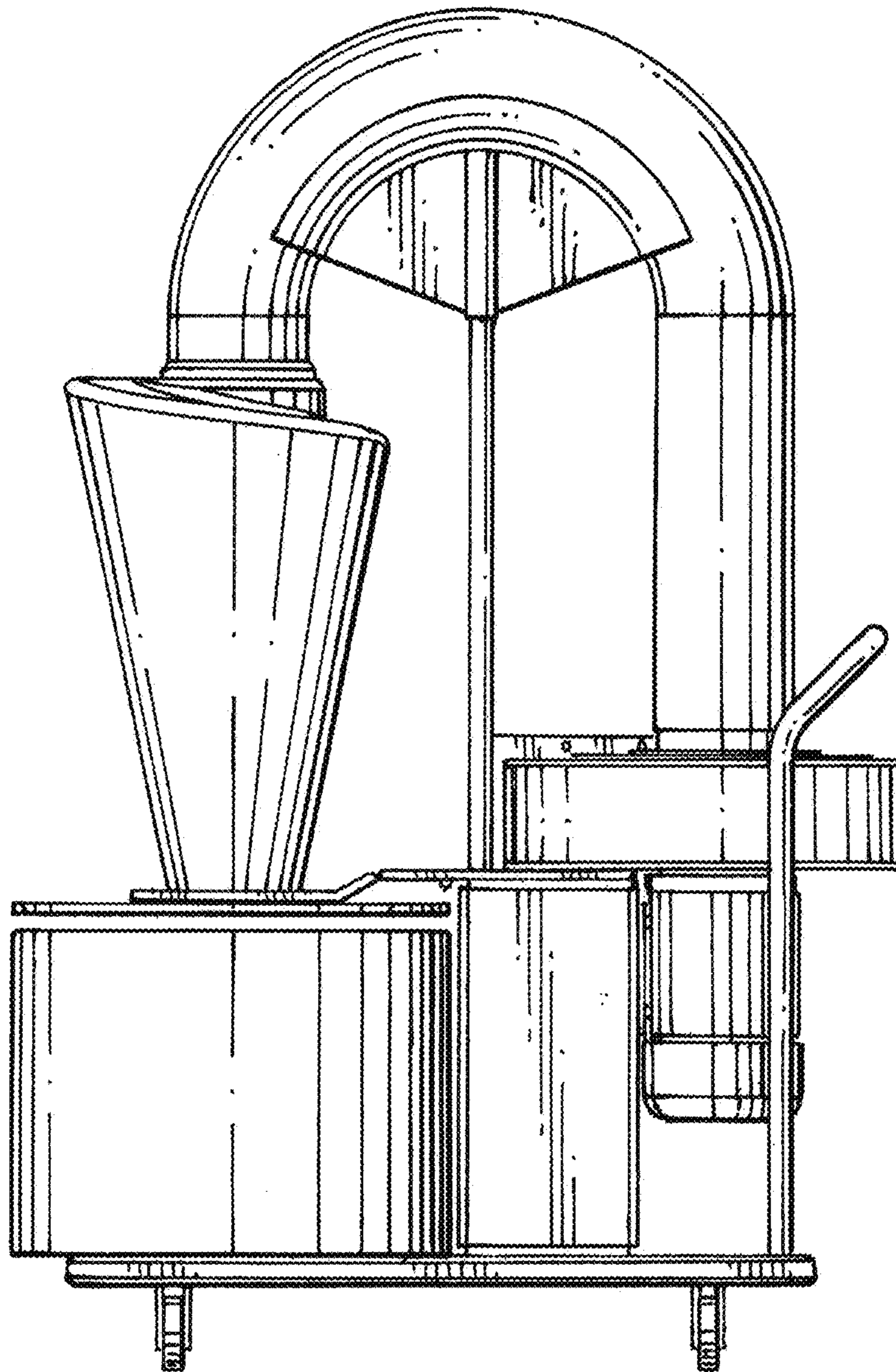


FIG. 5

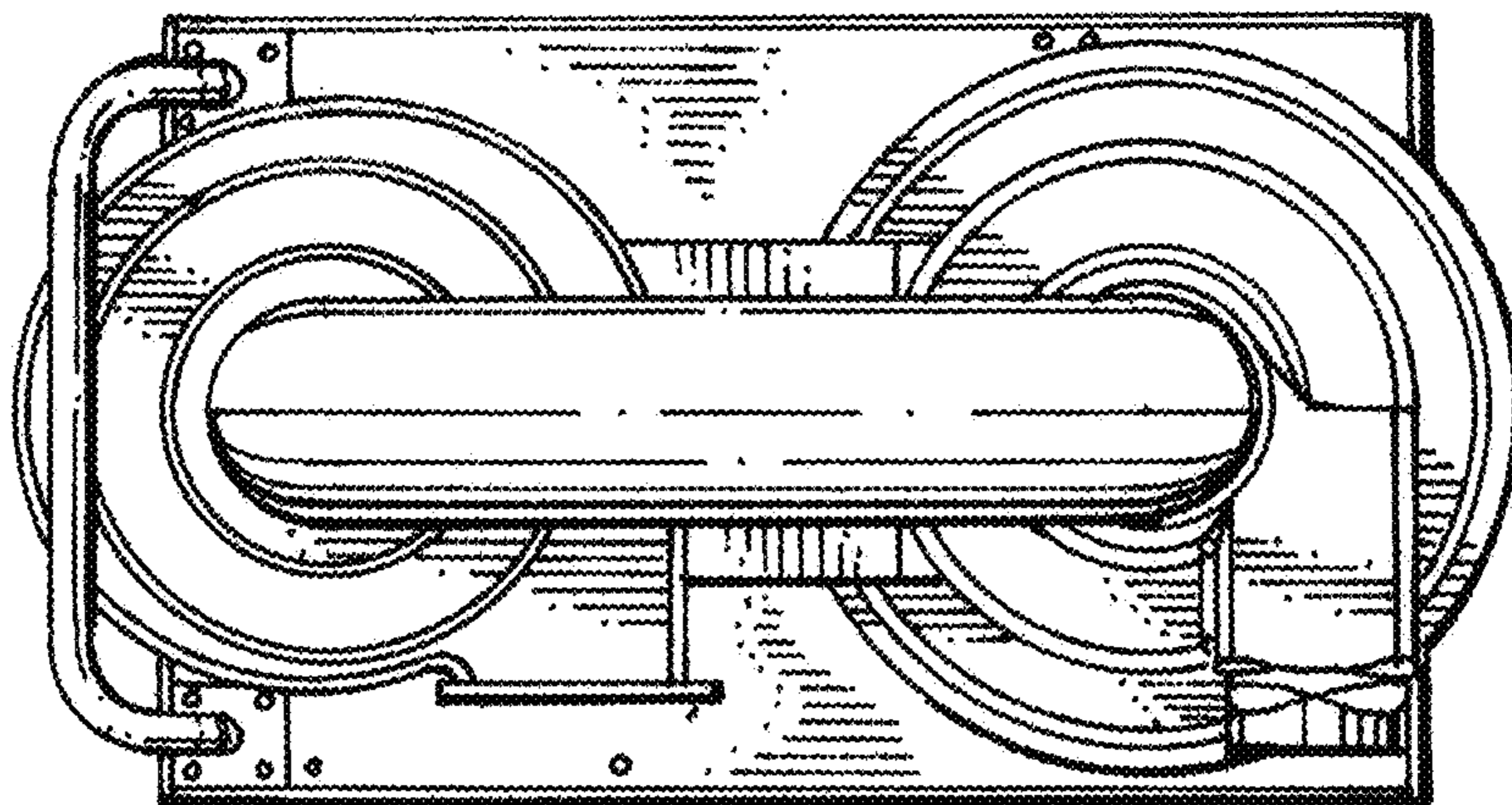


FIG. 6

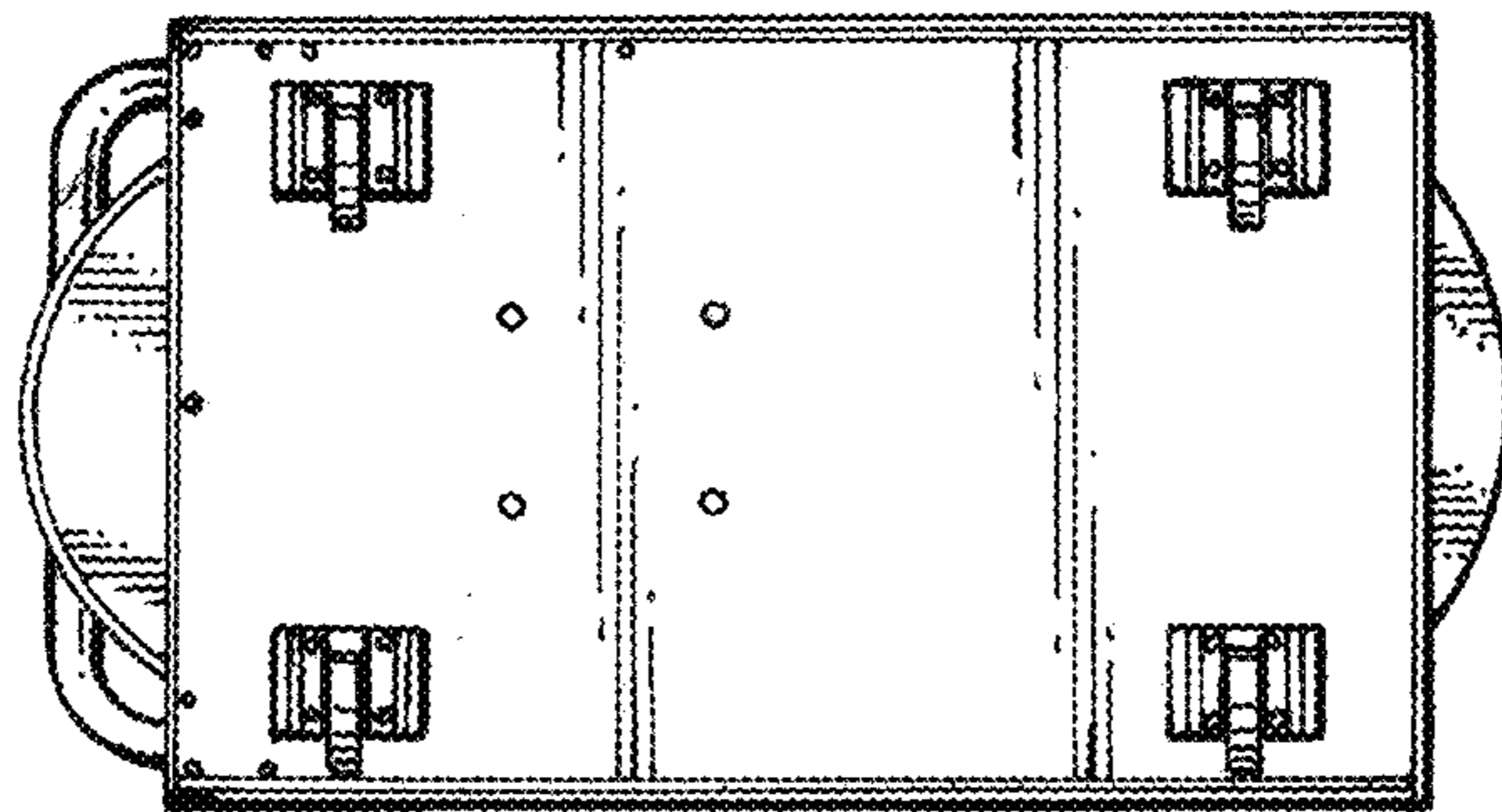


FIG. 7