



US00D800974S

(12) **United States Design Patent** (10) **Patent No.:** **US D800,974 S**
Cadamuro et al. (45) **Date of Patent:** **** Oct. 24, 2017**

(54) **DISHWASHER**
(71) Applicant: **Electrolux Professional S.p.A.**,
Pordenone (IT)
(72) Inventors: **Michele Cadamuro**, Pordenone (IT);
Davide Benvenuti, Pordenone (IT);
Leandro Lapietra, Pordenone (IT);
Francesco Lillo, Pordenone (IT)
(73) Assignee: **Electrolux Professional S.p.A.**,
Pordenone (IT)
(**) Term: **15 Years**
(21) Appl. No.: **29/553,898**
(22) Filed: **Feb. 5, 2016**
(51) **LOC (10) Cl.** **15-05**
(52) **U.S. Cl.**
USPC **D32/2**
(58) **Field of Classification Search**
USPC D7/340, 348; D32/2, 6, 8, 10, 25
CPC A47L 15/22; A47L 15/449; A47L 15/4463;
A47L 15/4445; A47L 15/4295; A47L
15/0055; A47L 15/0057; A47L 2301/04;
A47L 2501/07
See application file for complete search history.

(56) **References Cited**
U.S. PATENT DOCUMENTS
D540,497 S * 4/2007 Song D32/2
D559,478 S * 1/2008 Jung D32/2
D571,062 S * 6/2008 Suh D32/2
D622,914 S * 8/2010 Crookshanks D32/3
D622,915 S * 8/2010 Crookshanks D32/3
D646,141 S * 10/2011 Jeon D8/316
D672,101 S * 12/2012 Eng D32/3

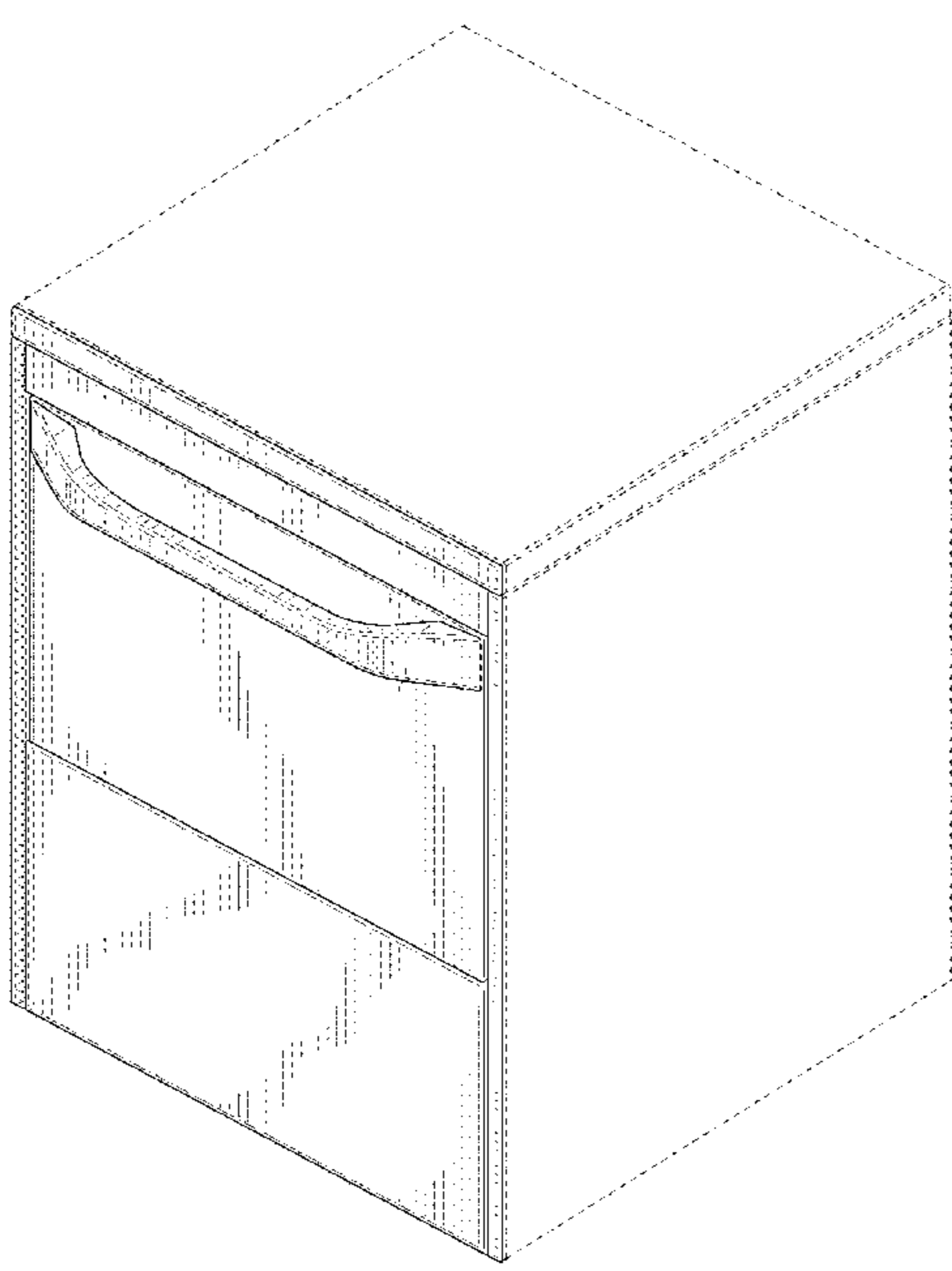
D680,809 S * 4/2013 Kim D7/402
D681,290 S * 4/2013 Eng D32/3
D688,518 S * 8/2013 Baek D7/402
D701,415 S * 3/2014 Sin D7/349
D702,897 S * 4/2014 Eng D32/3
D703,395 S * 4/2014 Choi D32/2
D720,100 S * 12/2014 Roberson D32/3
D730,593 S * 5/2015 Eng D32/3
D746,003 S * 12/2015 Shin D32/2
D760,452 S * 6/2016 Roberson D32/2
D762,334 S * 7/2016 Kim D32/3
D779,262 S * 2/2017 Kim D7/348
D781,097 S * 3/2017 Kim D7/348
D787,878 S * 5/2017 Kim D7/348
D787,879 S * 5/2017 Kim D7/348
2011/0146734 A1 * 6/2011 Rappette A47L 15/22
134/198

* cited by examiner
Primary Examiner — Michael A. Pratt
Assistant Examiner — Michelle E Wilson
(74) *Attorney, Agent, or Firm* — Pearne & Gordon LLP

(57) **CLAIM**
The ornamental design for a dishwasher, as shown and described.

DESCRIPTION
FIG. 1 is a front perspective view of our new invention;
FIG. 2 is a front view thereof;
FIG. 3 is a right side view thereof;
FIG. 4 is a left side view thereof;
FIG. 5 is a top view thereof;
FIG. 6 is a bottom view thereof; and,
FIG. 7 is a rear view thereof.
The broken lines shown in the drawings illustrate portions of the dishwasher that form no part of the claimed design.

1 Claim, 7 Drawing Sheets



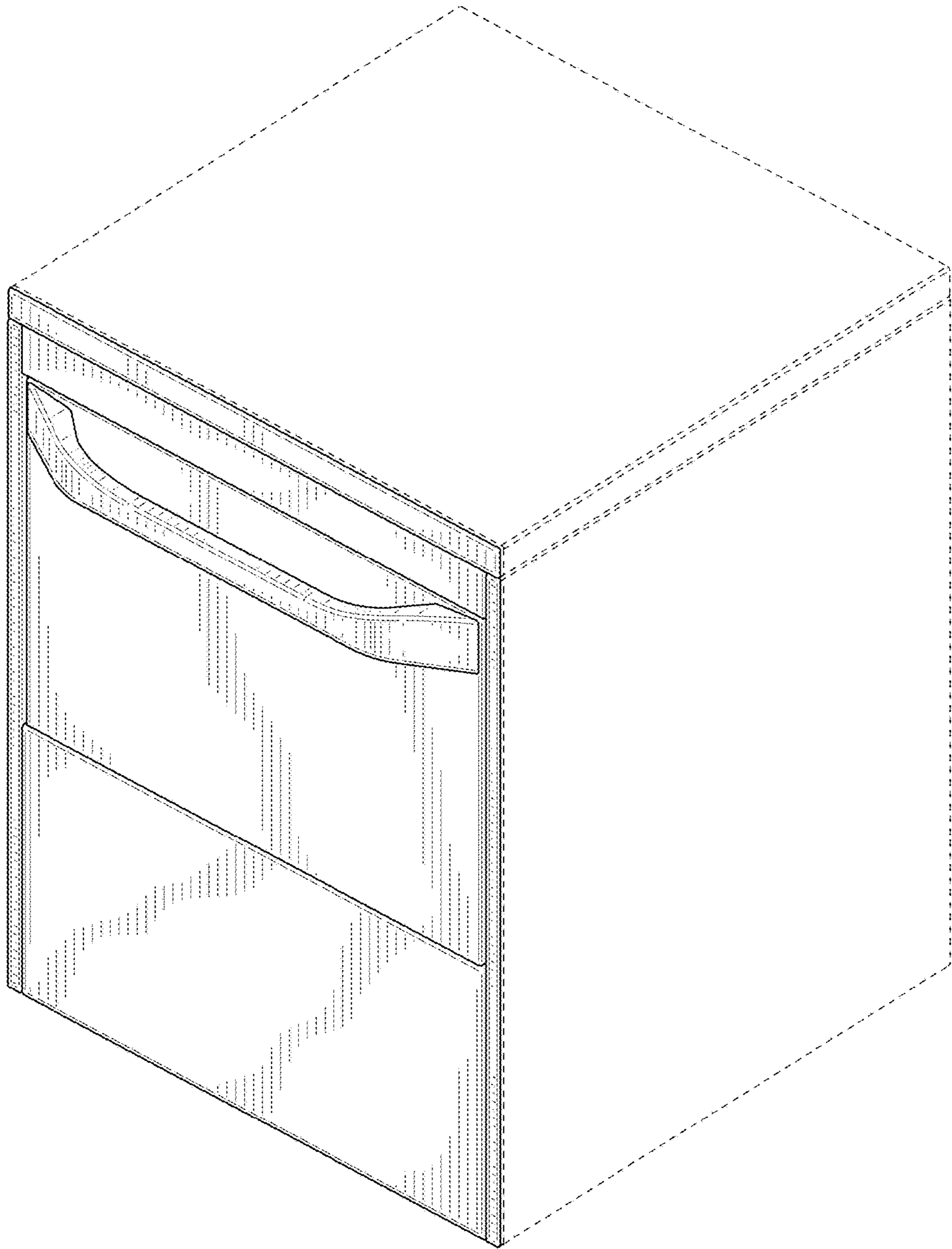


FIG. 1

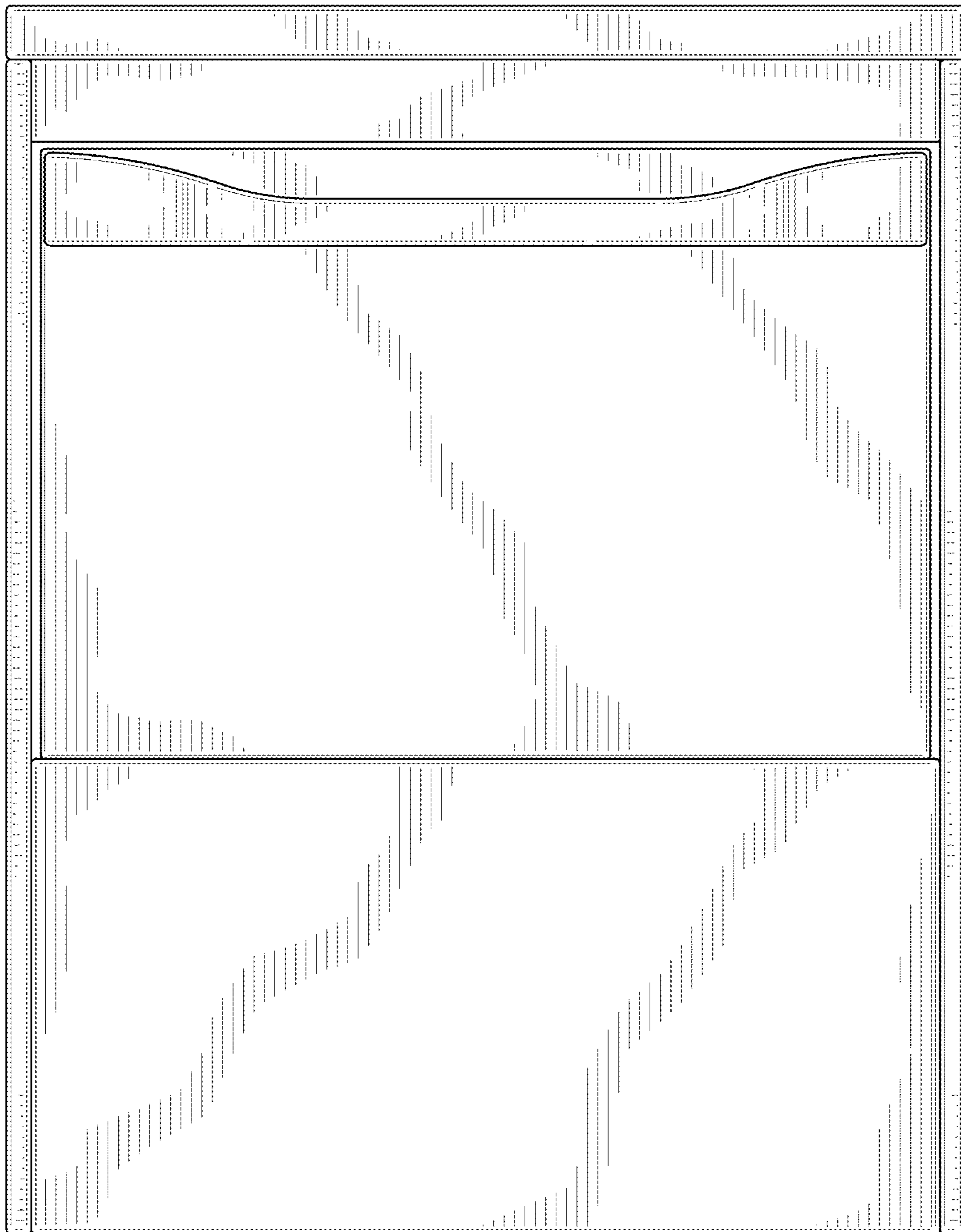


FIG. 2

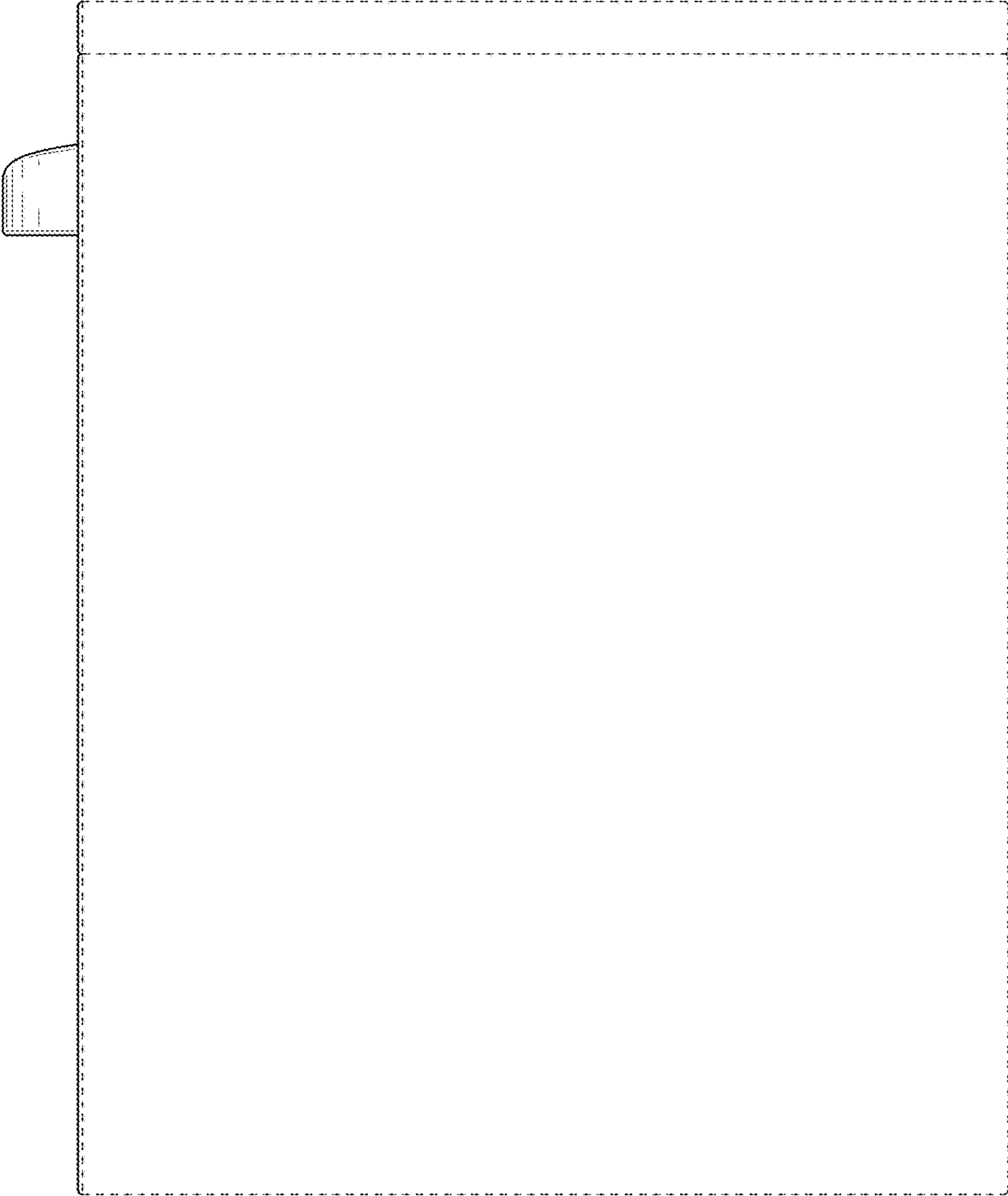


FIG. 3

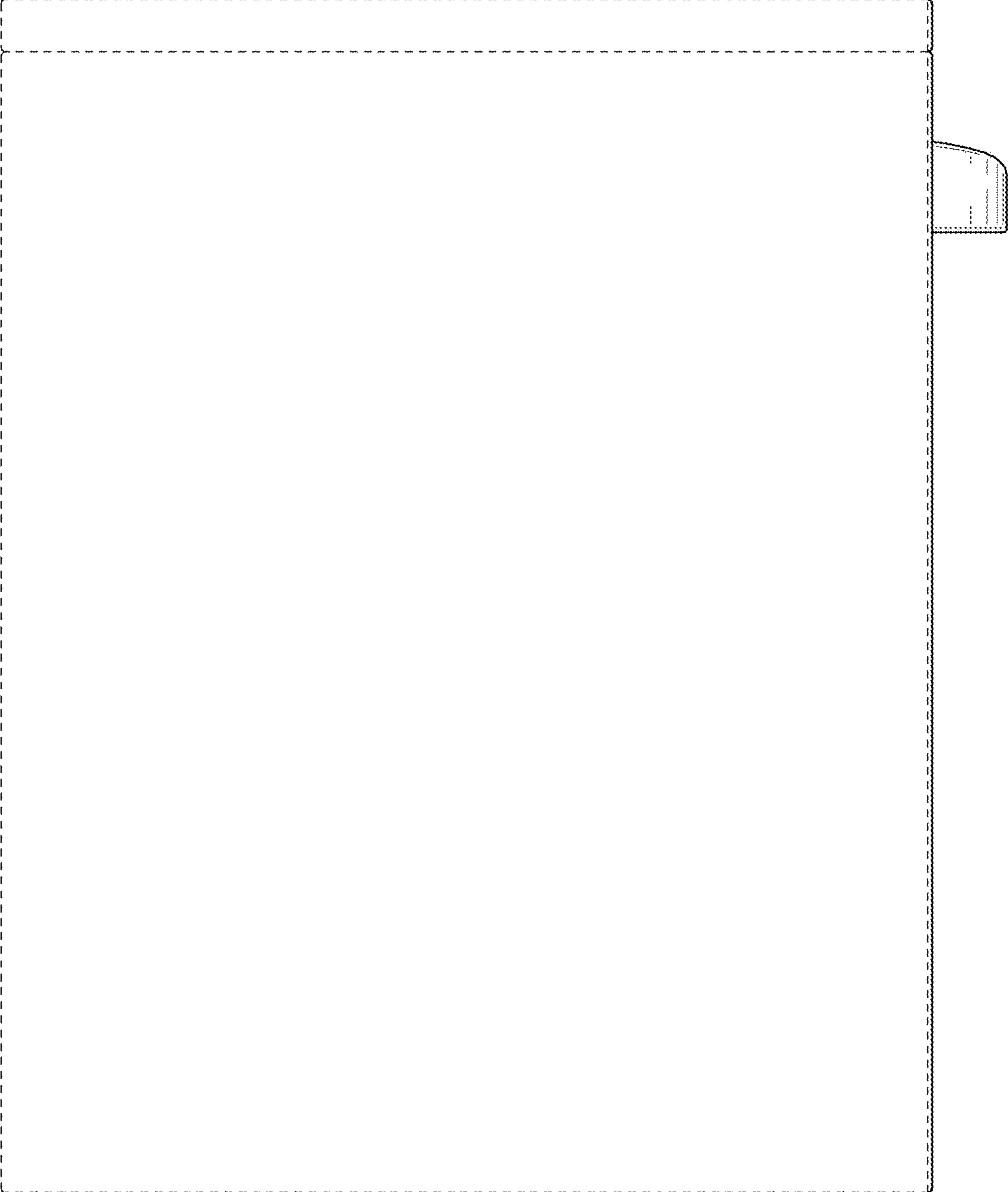


FIG. 4

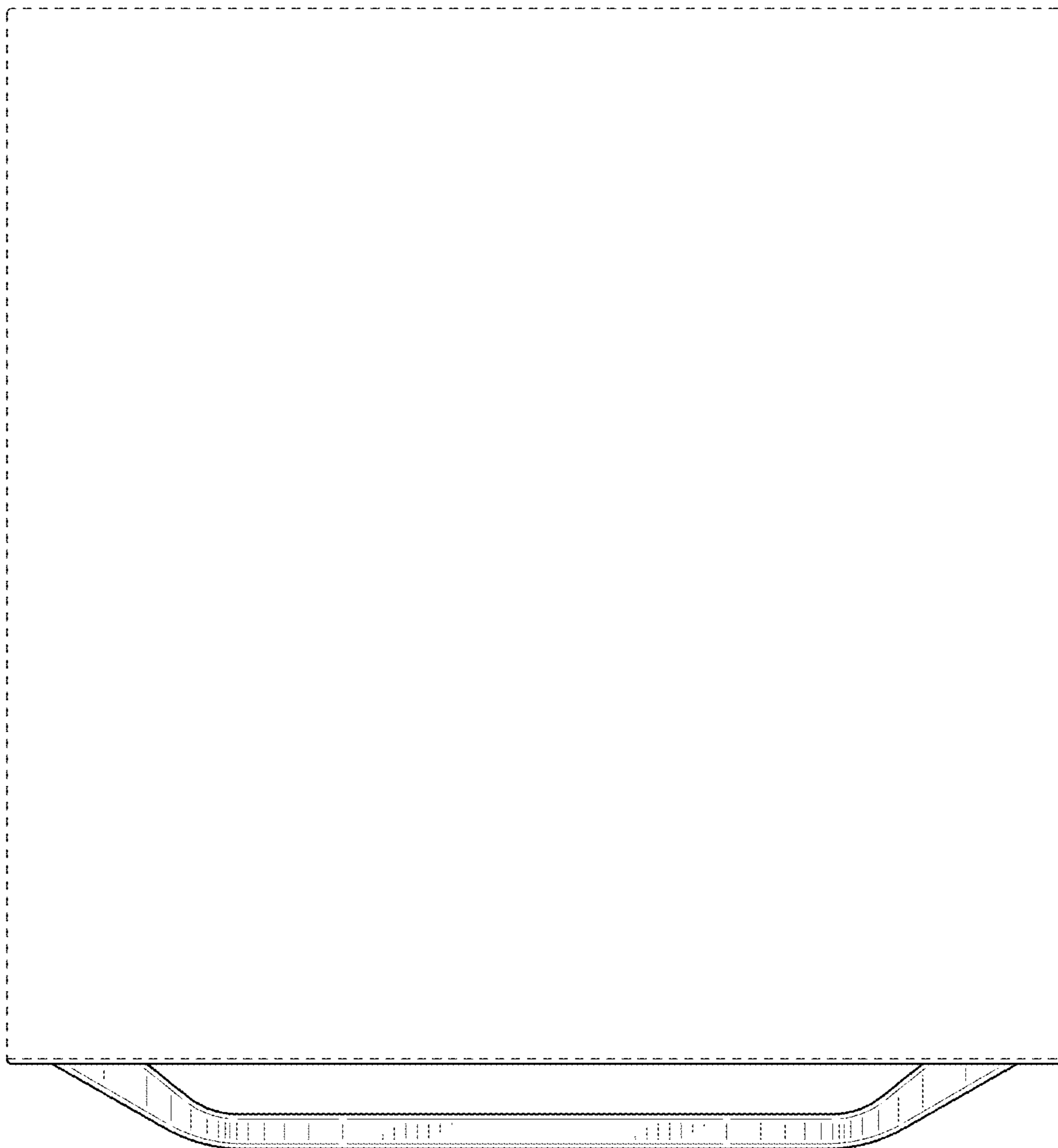


FIG. 5

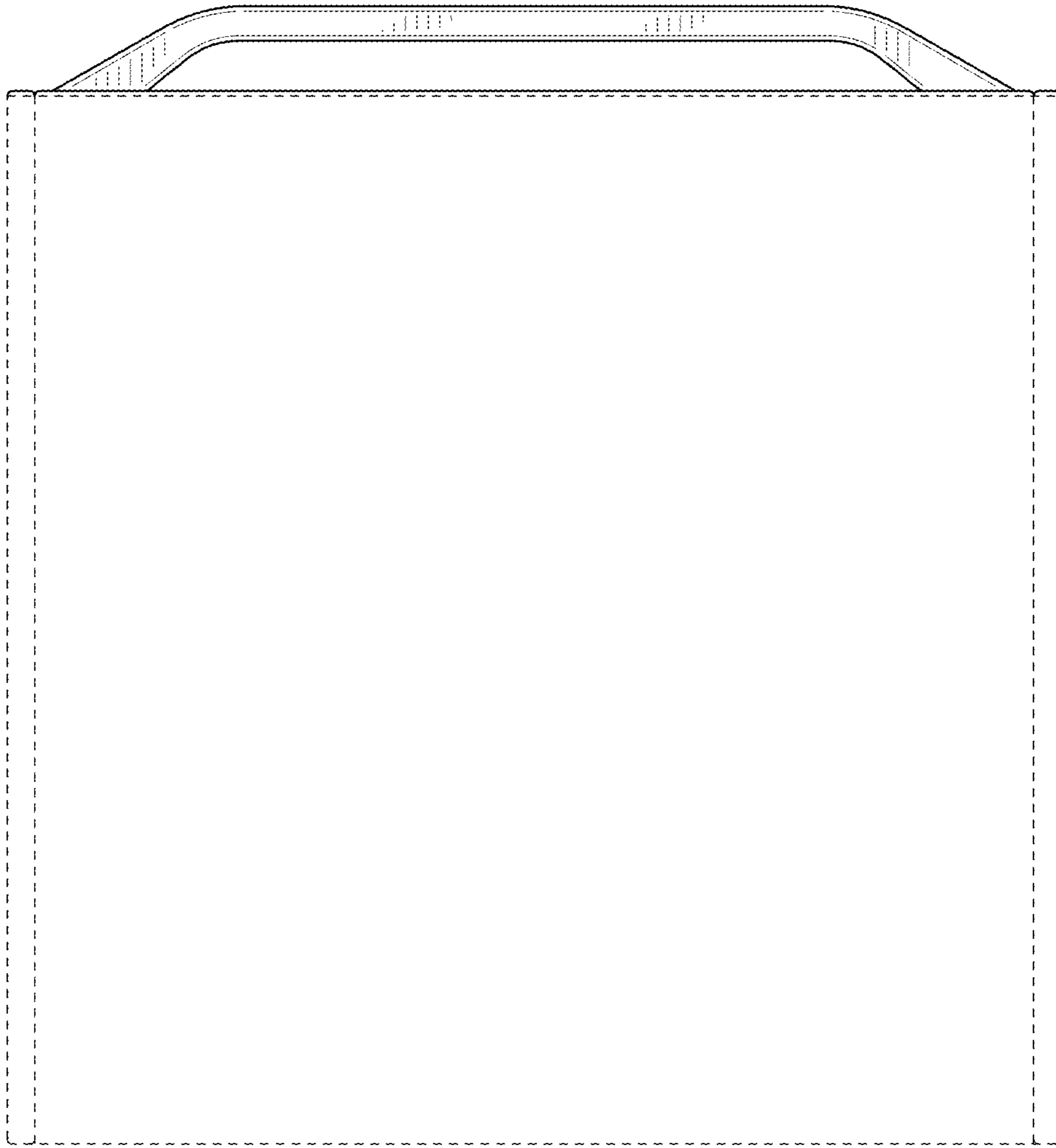


FIG. 6

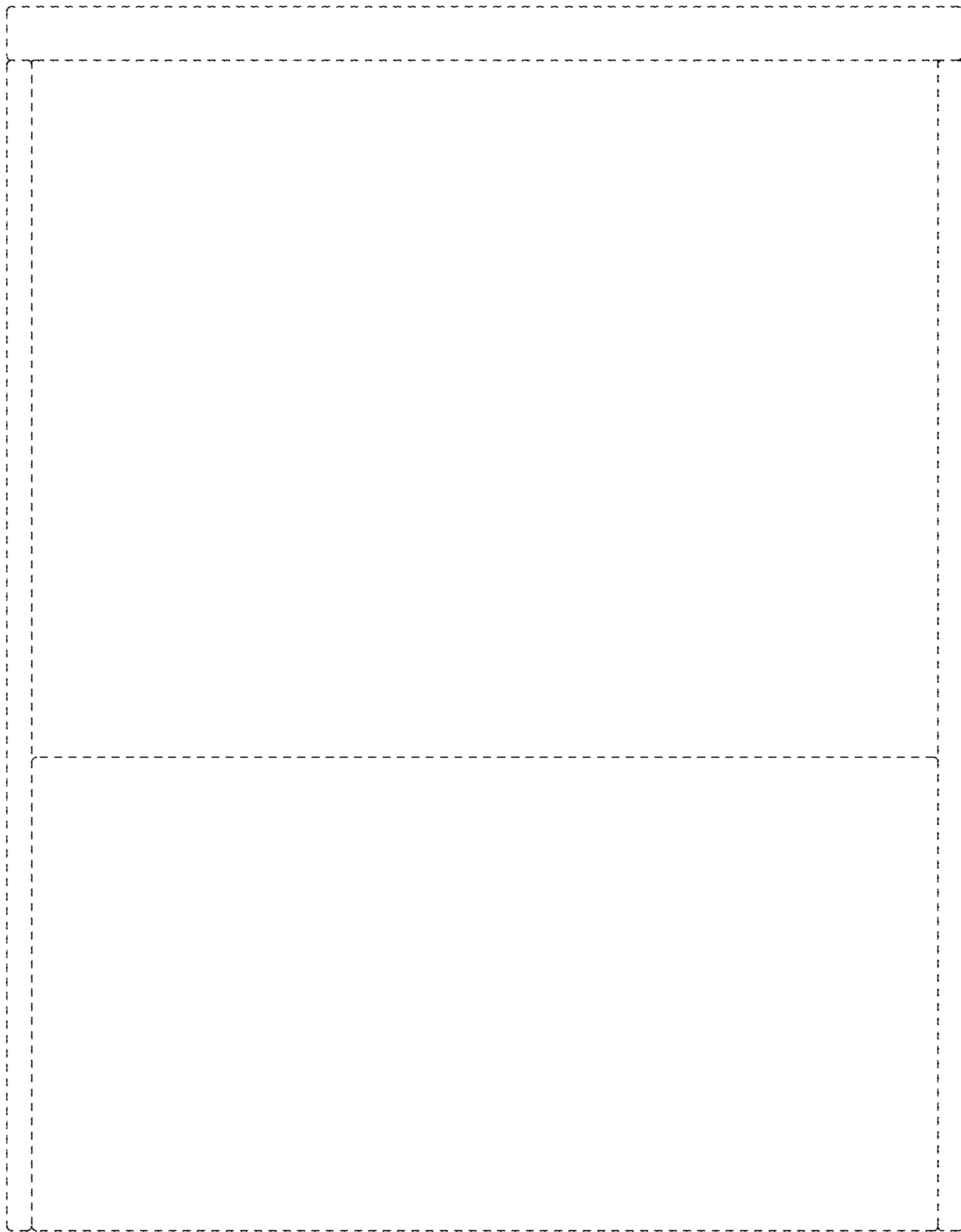


FIG. 7