



US00D800972S

(12) **United States Design Patent** (10) **Patent No.:** **US D800,972 S**
Miura et al. (45) **Date of Patent:** **** Oct. 24, 2017**

(54) **AMUSING AND RESTING TOWER PIECE FOR PETS**

(71) Applicant: **TERAMOTO CORPORATION LTD.**,
Osaka (JP)

(72) Inventors: **Hidehiko Miura**, Kanagawa (JP);
Takao Iwai, Osaka (JP)

(73) Assignee: **TERAMOTO CORPORATION**,
Osaka (JP)

(**) Term: **15 Years**

(21) Appl. No.: **35/500,768**

(22) Filed: **Sep. 28, 2015**

(80) **Hague Agreement Data**

Int. Filing Date: **Sep. 28, 2015**
Int. Reg. No.: **DM/088135**
Int. Reg. Date: **Sep. 28, 2015**
Int. Reg. Pub. Date: **Apr. 1, 2016**

(30) **Foreign Application Priority Data**

Apr. 1, 2015 (JP) 2015-007360

(51) **LOC (10) Cl.** **30-99**

(52) **U.S. Cl.**
USPC **D30/160**

(58) **Field of Classification Search**
USPC D30/108, 117, 118, 160; D6/705, 707.22
CPC A01K 45/00; A01K 45/02; A01K 45/024;
A01K 45/025; A01K 45/027
See application file for complete search history.

(56) **References Cited**

U.S. PATENT DOCUMENTS

2,143,592 A * 1/1939 Baldeck A47F 5/04
211/134
3,479,990 A * 11/1969 Crow A01K 15/024
108/151

3,479,991 A * 11/1969 Lichtenberger A01K 15/024
108/151
D222,276 S * 10/1971 Hughes, Jr. 108/151
4,068,761 A * 1/1978 McCarthy A47G 7/045
211/134
D334,254 S * 3/1993 Mitchell D30/160
5,595,141 A * 1/1997 Udelle A01K 15/024
119/706
D383,923 S * 9/1997 Muller-Deisig D6/678.2
5,829,390 A * 11/1998 Jonilla A01K 15/025
119/702
D461,026 S * 7/2002 Mason D30/160
D700,754 S * 3/2014 Mulligan D30/160
2002/0179021 A1 * 12/2002 DeRaspe-Bolles .. A01K 15/025
119/706
2008/0149042 A1 * 6/2008 Halpern A01K 15/027
119/706

* cited by examiner

Primary Examiner — Mary Ann Calabrese
(74) *Attorney, Agent, or Firm* — Hamre, Schumann,
Mueller & Larson, P.C.

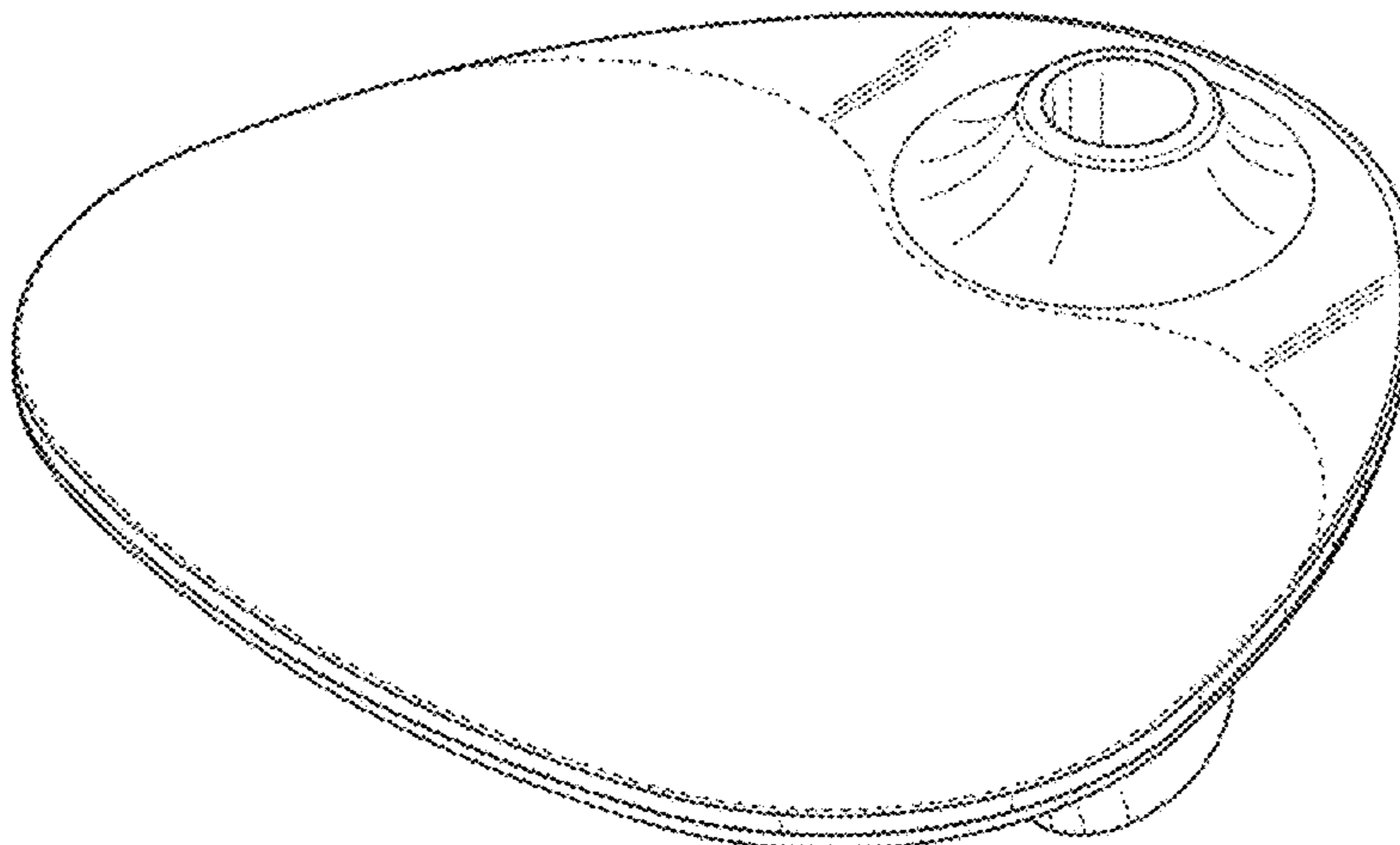
(57) **CLAIM**

The ornamental design for an amusing and resting tower piece for pets, as shown and described.

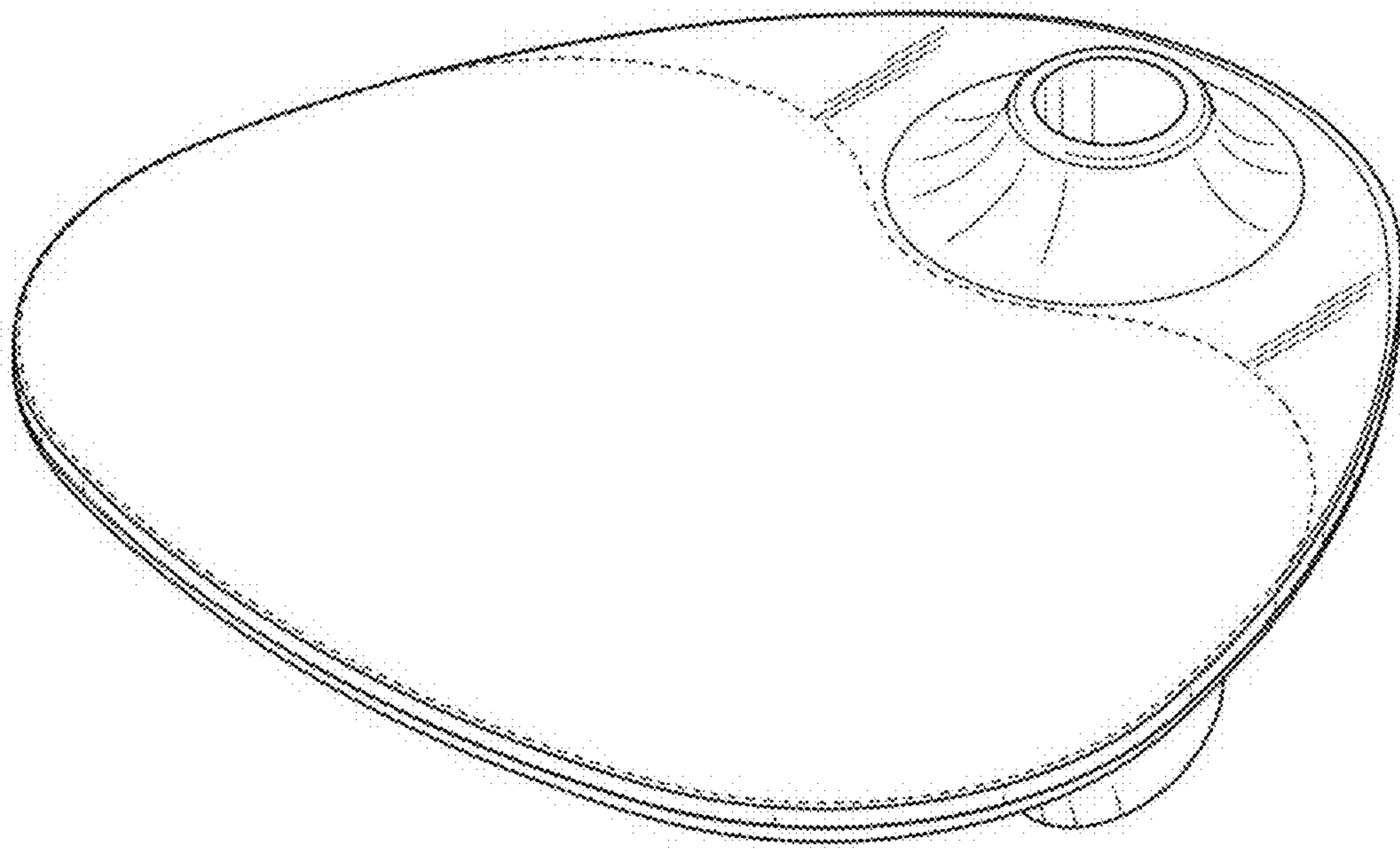
DESCRIPTION

1. Amusing and resting tower piece for pets
1.1 : Perspective
1.2 : Front
1.3 : Back
1.4 : Top
1.5 : Bottom
1.6 : Left
1.7 : Right
1.8 : Cross-sectional view taken along line 1.8-1.8 in view 1.4
1.9 : Right view, shown in use in a pet tower
The broken lines show portions of the article that form no part of the claimed design.

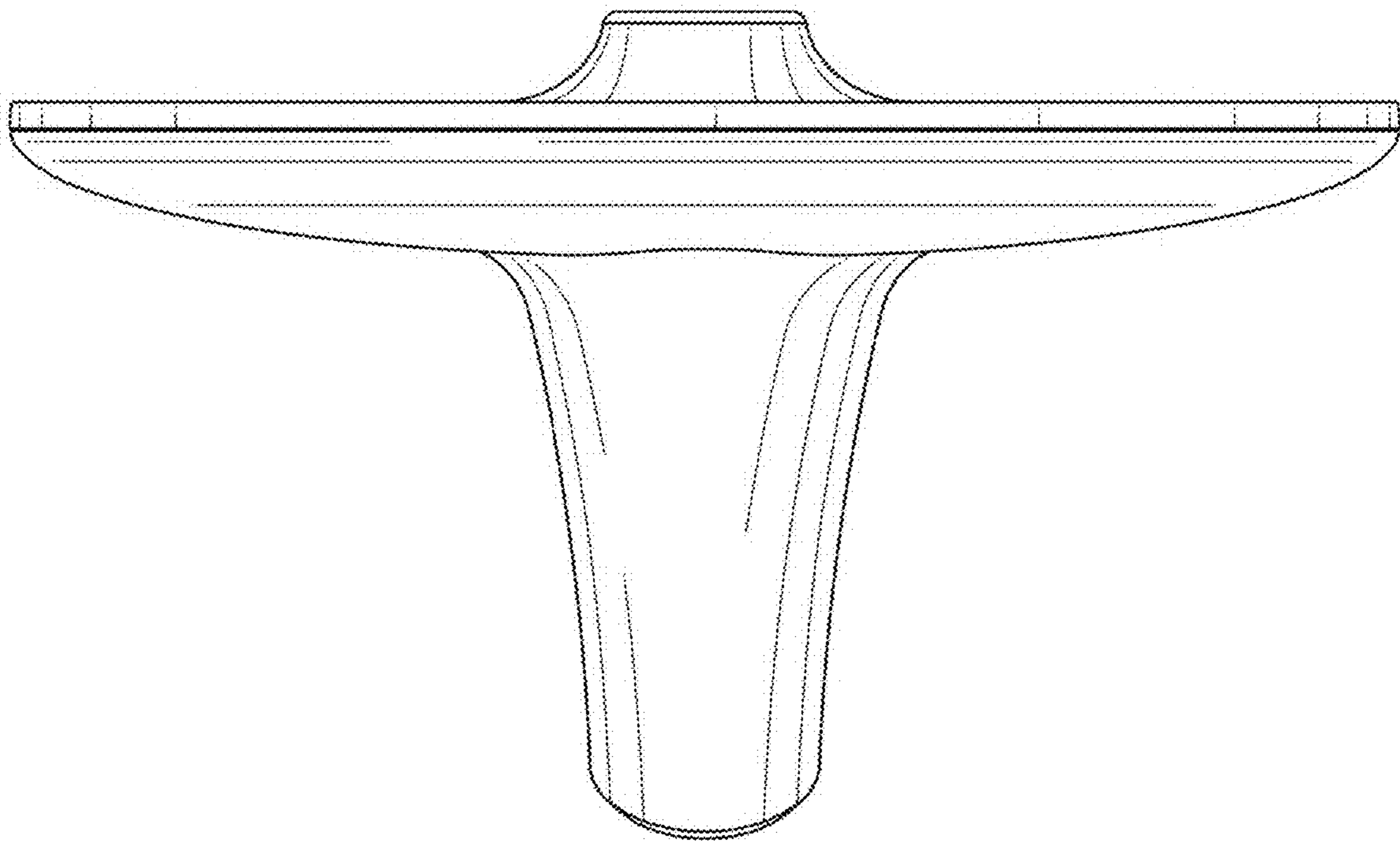
1 Claim, 9 Drawing Sheets



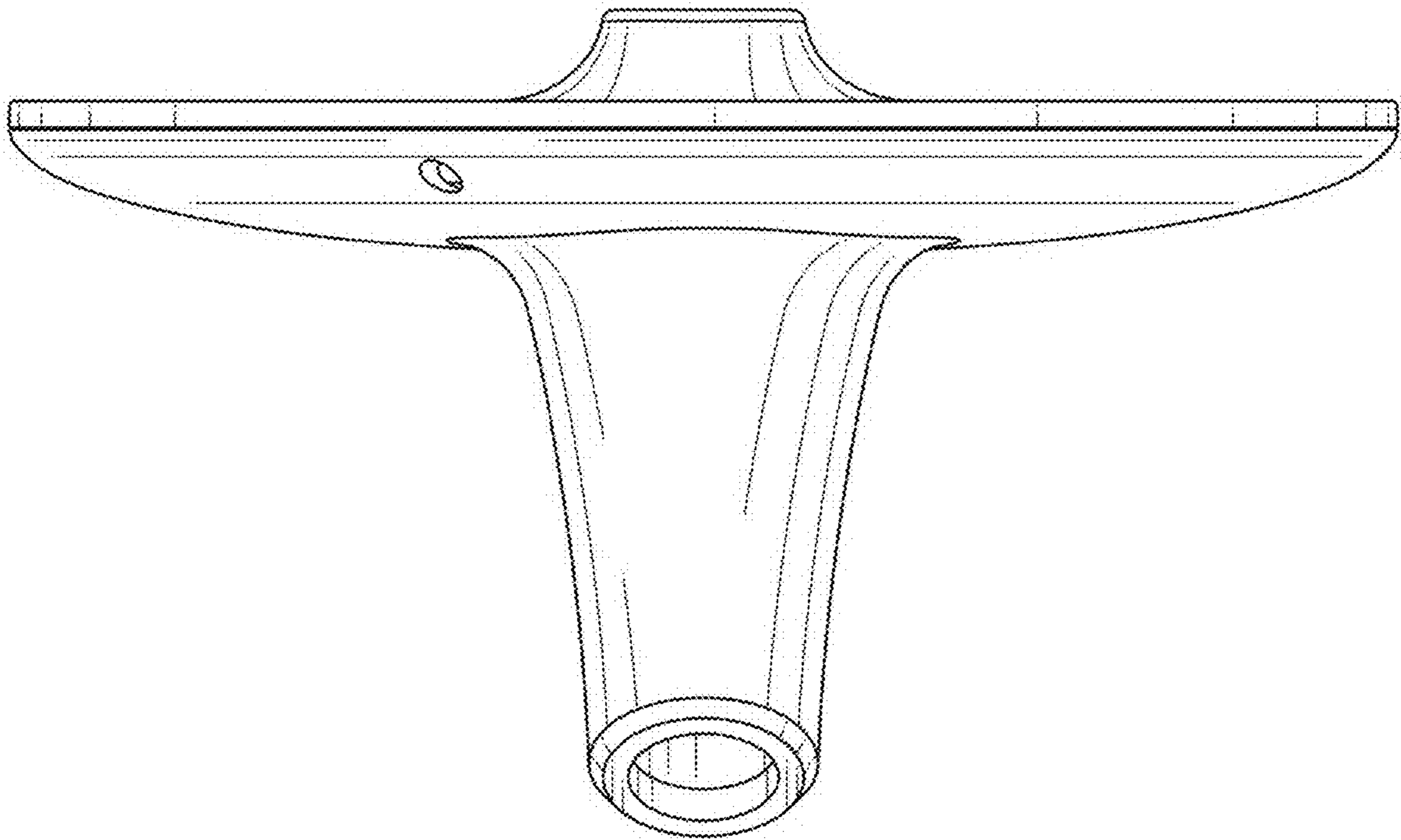
1.1

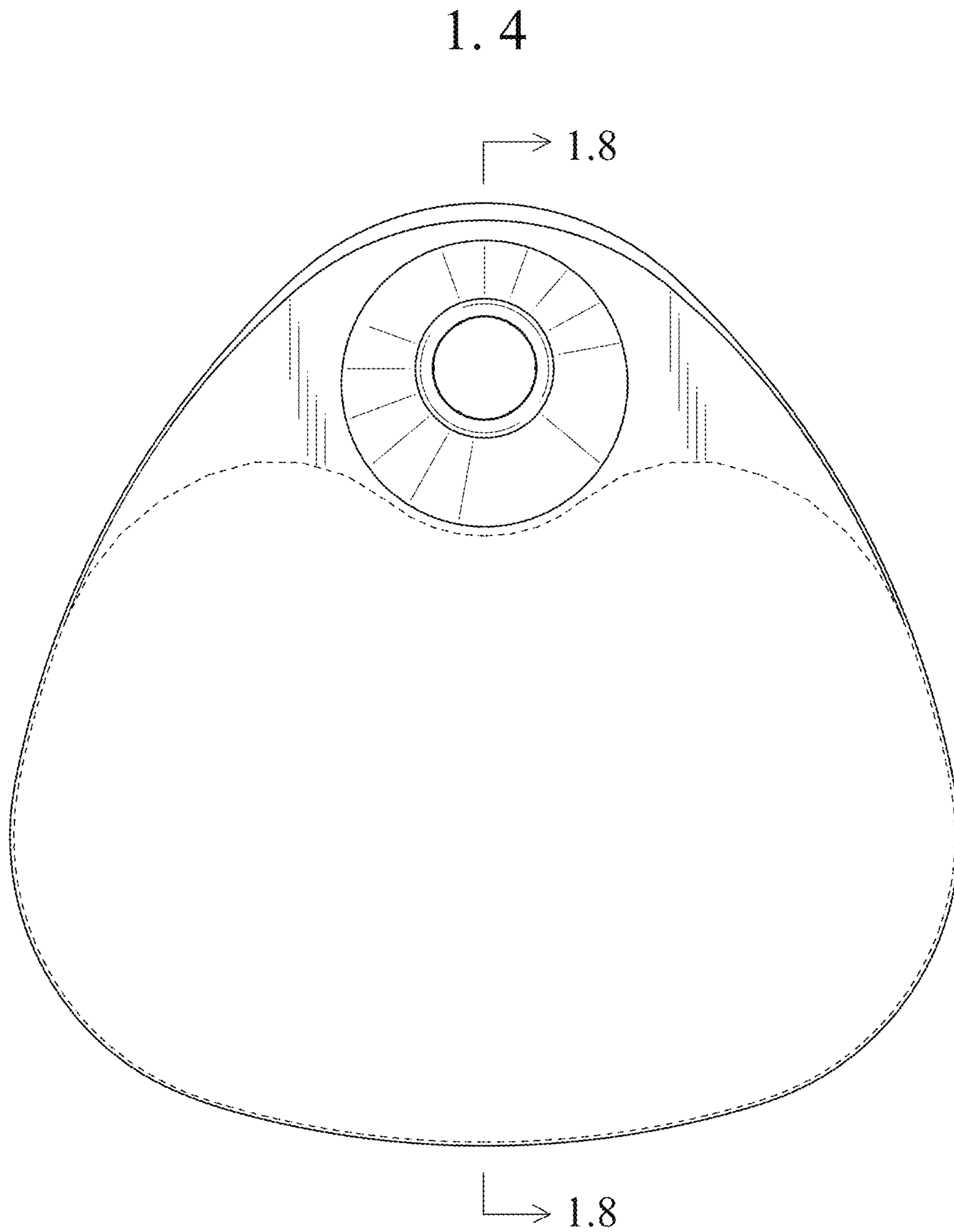


1.2

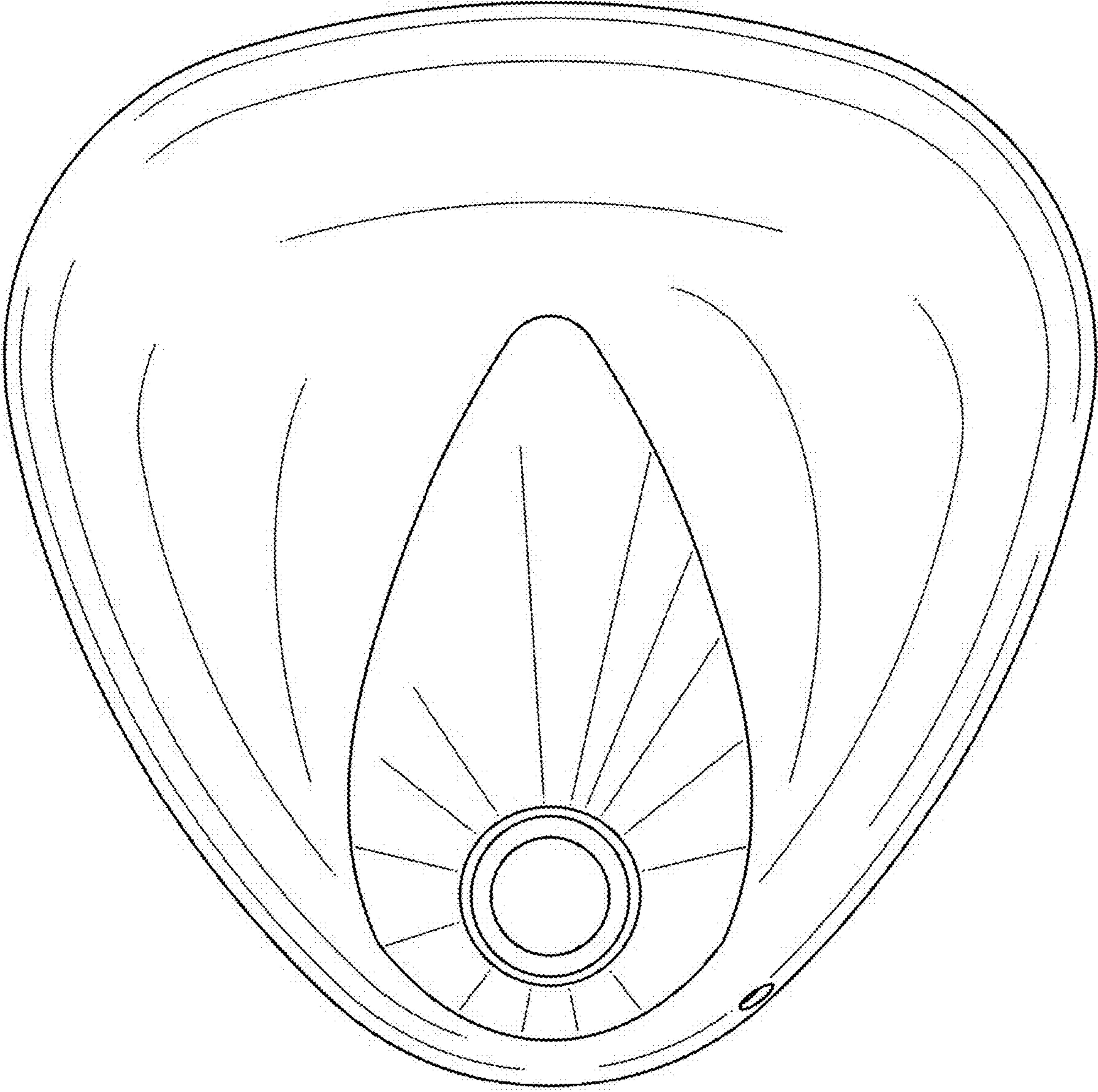


1.3

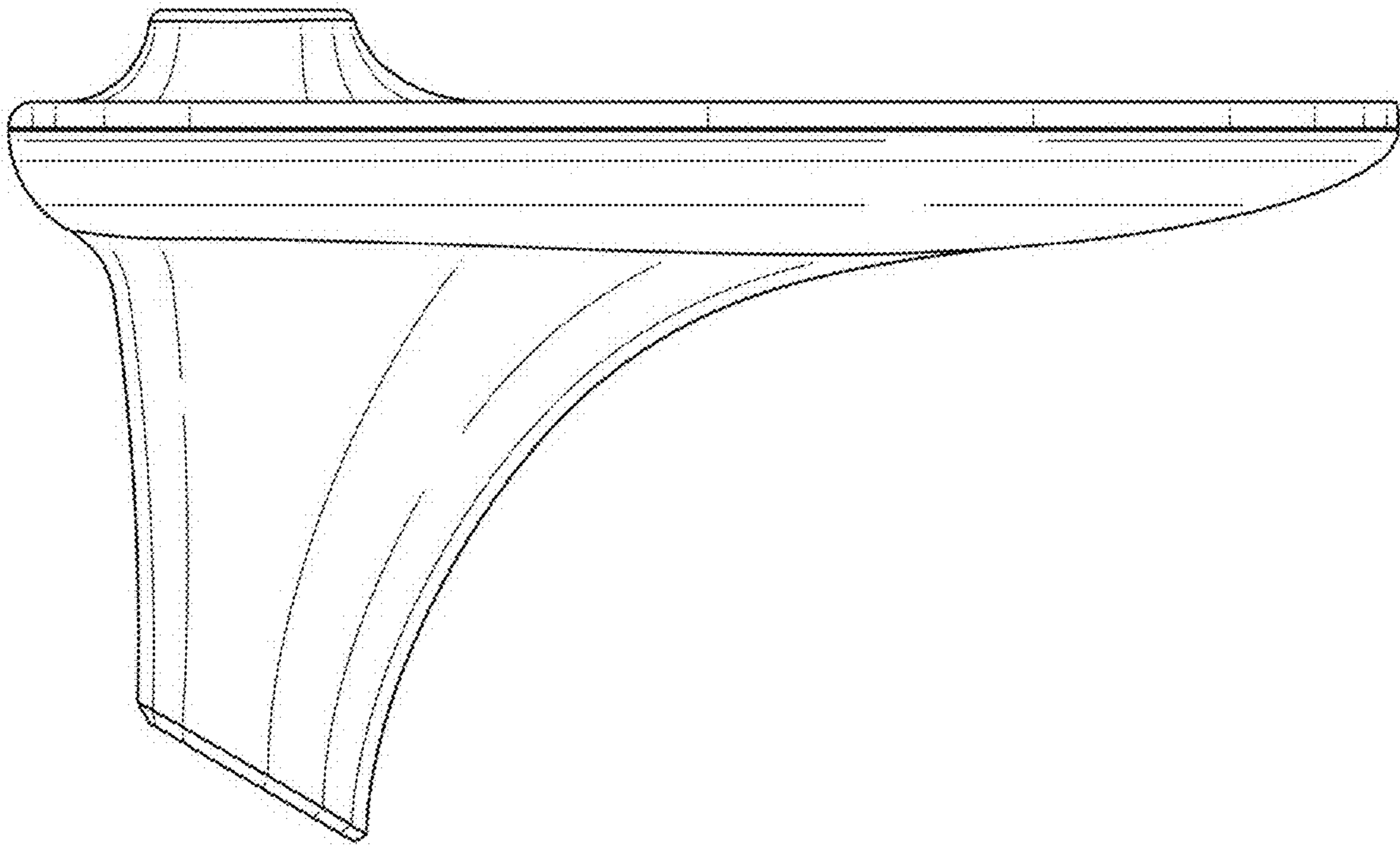




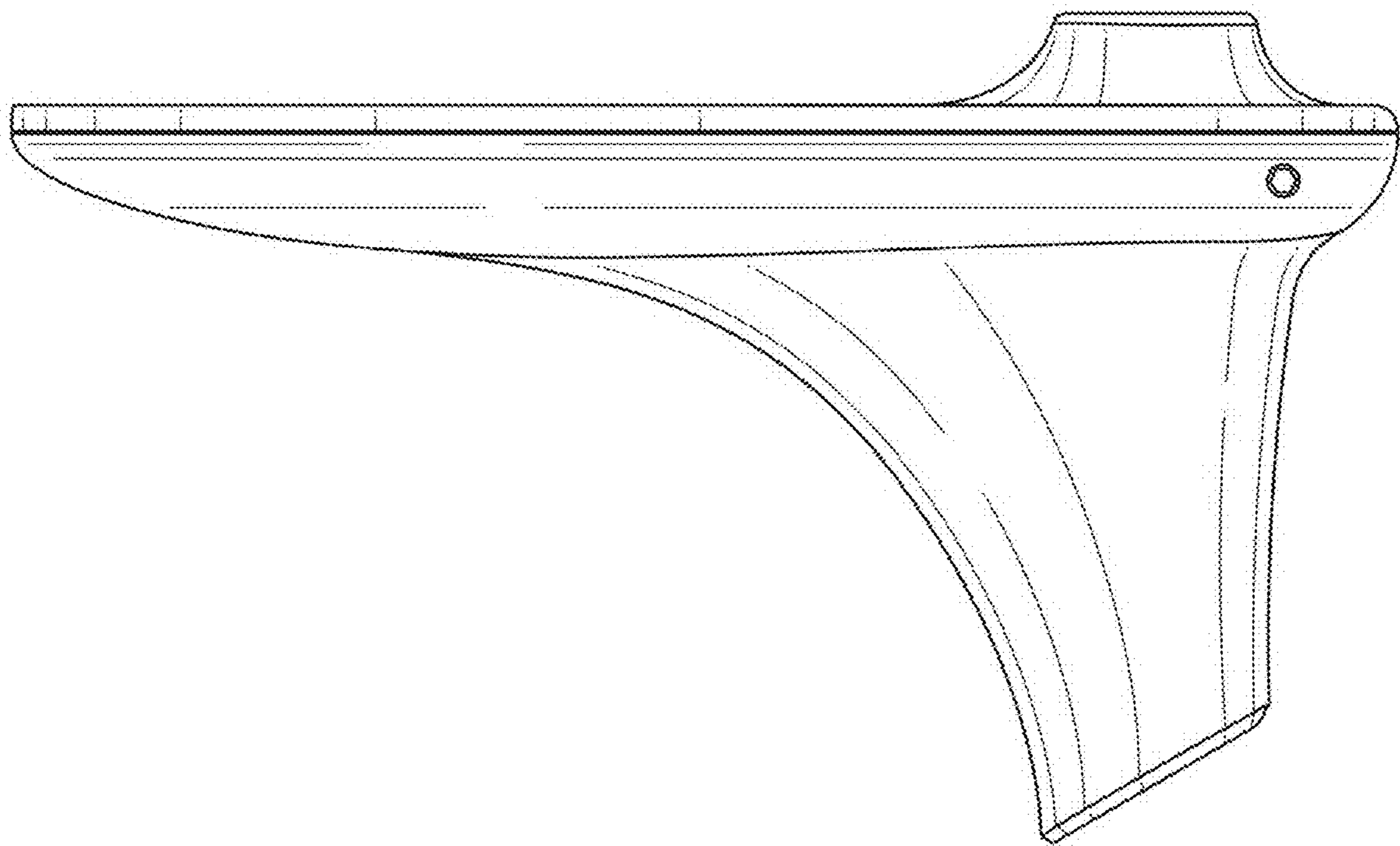
1.5



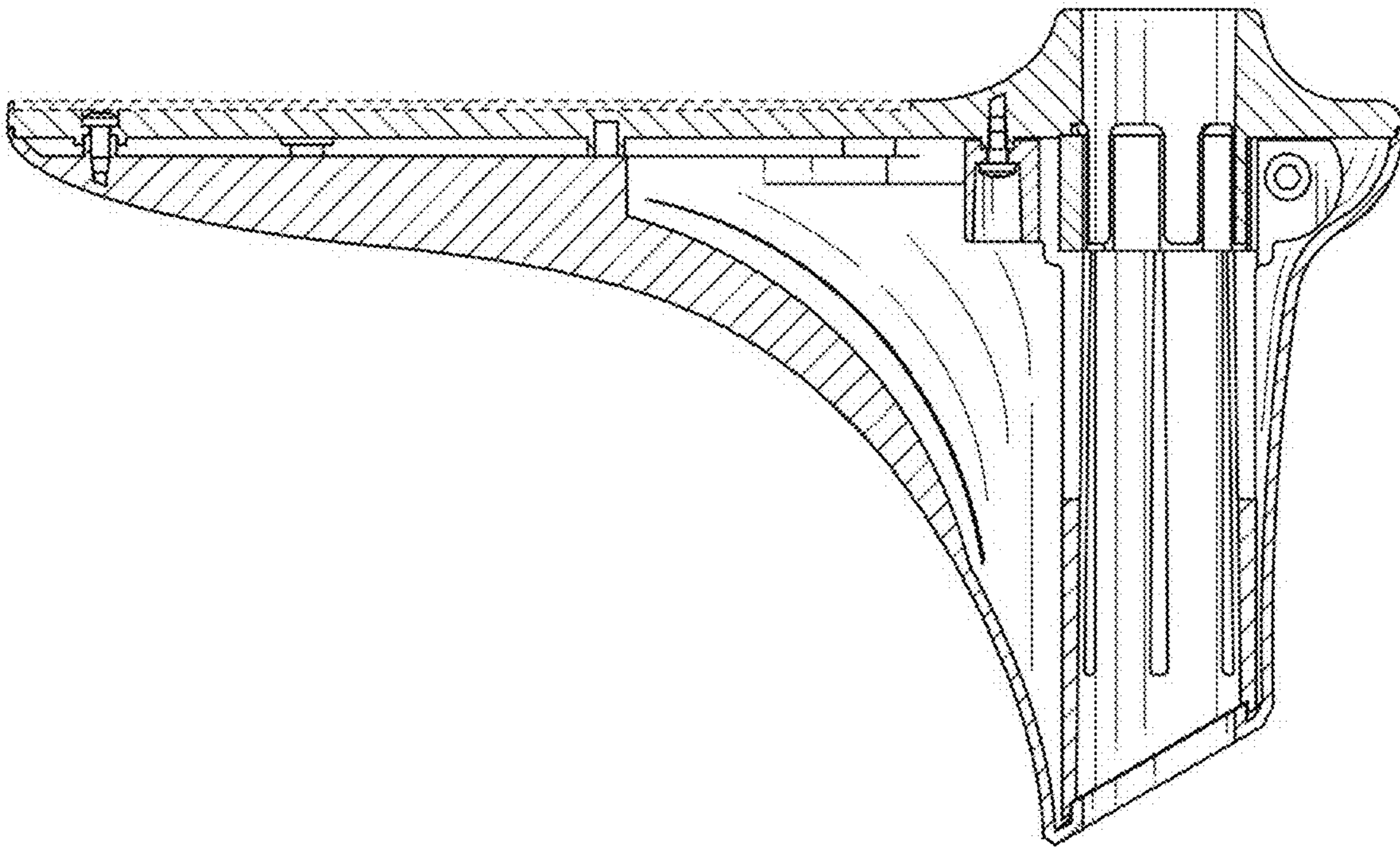
1.6



1.7



1.8



1.9

