



US00D800971S

(12) **United States Design Patent**
MacGuinness

(10) **Patent No.:** **US D800,971 S**

(45) **Date of Patent:** **** Oct. 24, 2017**

(54) **FRONT CLOSURE FOR A HORSE BLANKET**

6,467,244 B1 * 10/2002 Kelley A01K 13/008
119/850

(71) Applicant: **HORSEWARE PRODUCTS LTD.,**
Dundalk, County Louth (IE)

7,243,485 B2 * 7/2007 Donahue A01K 13/008
119/850

(72) Inventor: **Thomas Joseph MacGuinness,**
Dromiskin (IE)

8,316,626 B2 * 11/2012 Sherer A01K 13/006
119/850

(73) Assignee: **HORSEWARE PRODUCTS LTD.,**
Dundalk, County Louth (IE)

9,462,785 B2 * 10/2016 Caston A01K 13/008
2006/0042200 A1 * 3/2006 Kwan A01K 13/008
54/79.2

(**) Term: **15 Years**

* cited by examiner

(21) Appl. No.: **29/551,971**

Primary Examiner — Susan Bennett Hattan

(22) Filed: **Jan. 19, 2016**

Assistant Examiner — Rebecca Tsehaye

(51) **LOC (10) Cl.** **30-01**

(74) *Attorney, Agent, or Firm* — Birch, Stewart, Kolasch
& Birch, LLP

(52) **U.S. Cl.**

USPC **D30/145**

(58) **Field of Classification Search**

USPC D30/144, 145, 134, 139, 140; 54/79.2,
54/79.1, 79.3, 79.4, 67

CPC B68C 5/00; B68C 1/12

See application file for complete search history.

(57) **CLAIM**

The ornamental design for a front closure for a horse blanket, as shown and described.

(56) **References Cited**

DESCRIPTION

U.S. PATENT DOCUMENTS

D265,516 S * 7/1982 Wacker 54/79.2
5,125,220 A * 6/1992 Martin A01K 13/008
54/79.2

5,161,352 A * 11/1992 Schneider A01K 13/008
119/850

5,271,211 A * 12/1993 Newman A01K 13/008
54/79.2

D373,228 S * 8/1996 Brown D30/145

D427,734 S * 7/2000 Balzarini D30/145

FIG. 1 is a view from the front and to one side of a front closure for a horse blanket showing my design;

FIG. 2 is a view from the rear and to one side thereof;

FIG. 3 is a front elevation thereof;

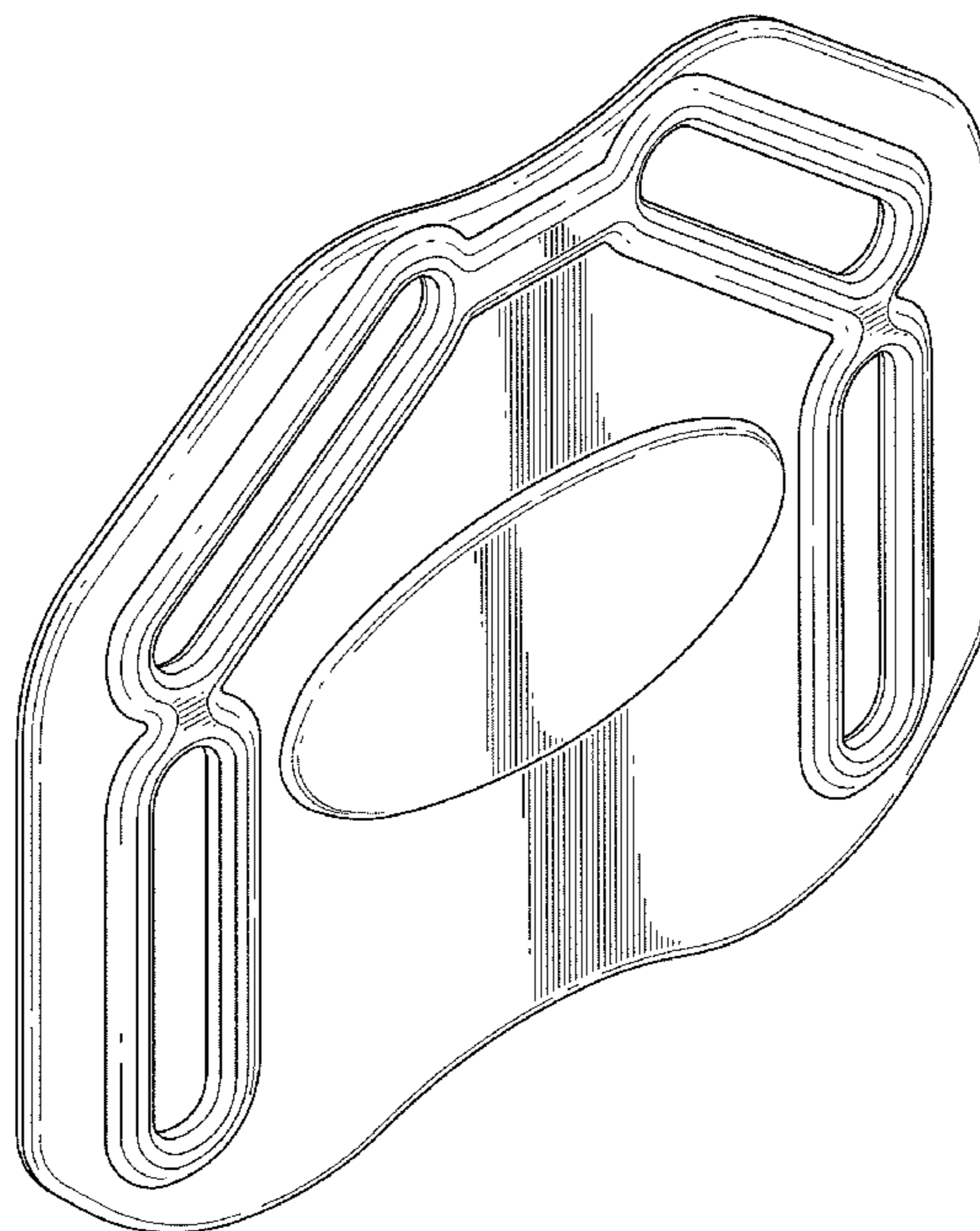
FIG. 4 is a rear elevation thereof;

FIG. 5 is an elevation of one side thereof;

FIG. 6 is an elevation of the other side thereof; and,

FIG. 7 is a view from below thereof.

1 Claim, 7 Drawing Sheets



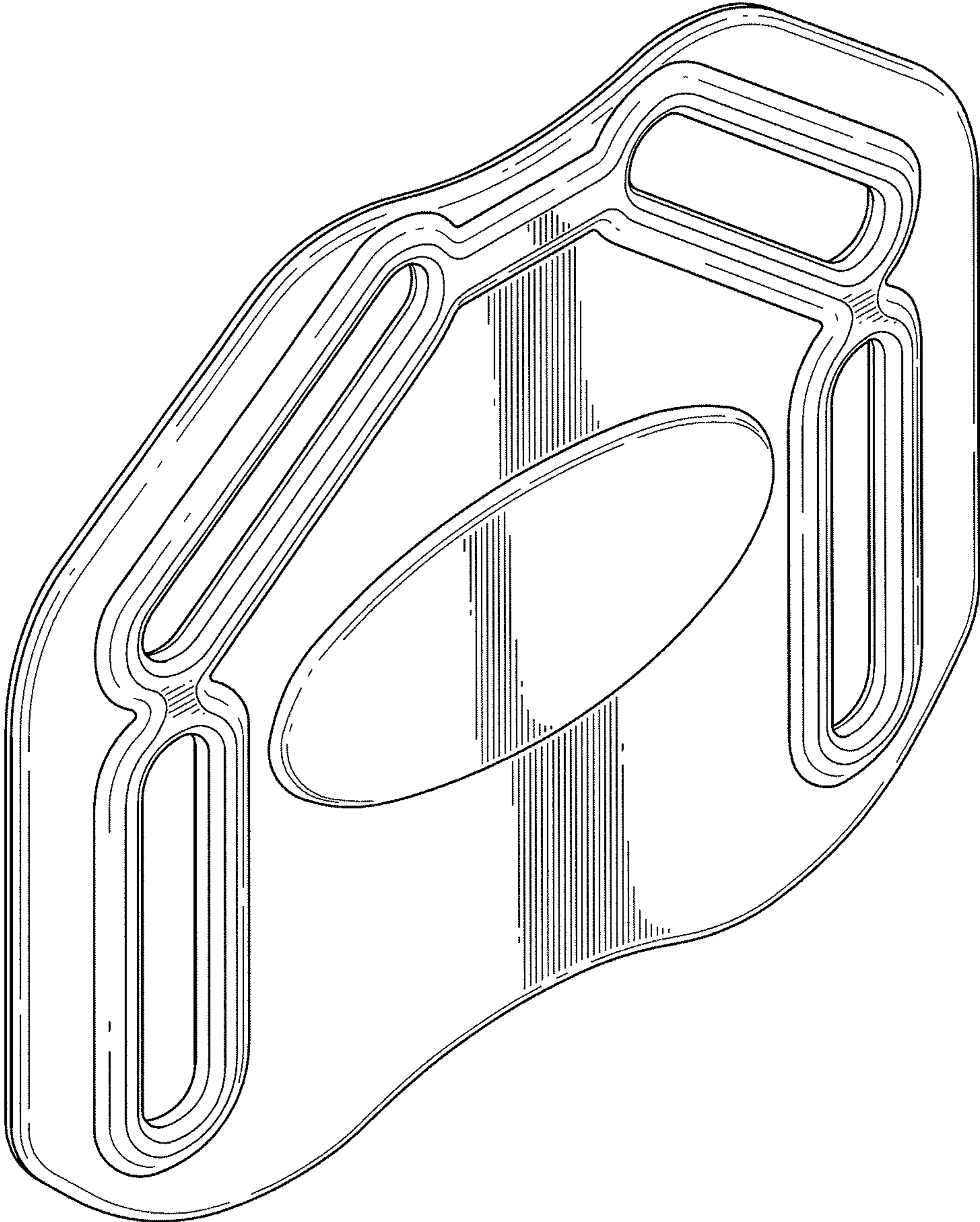


FIG.1

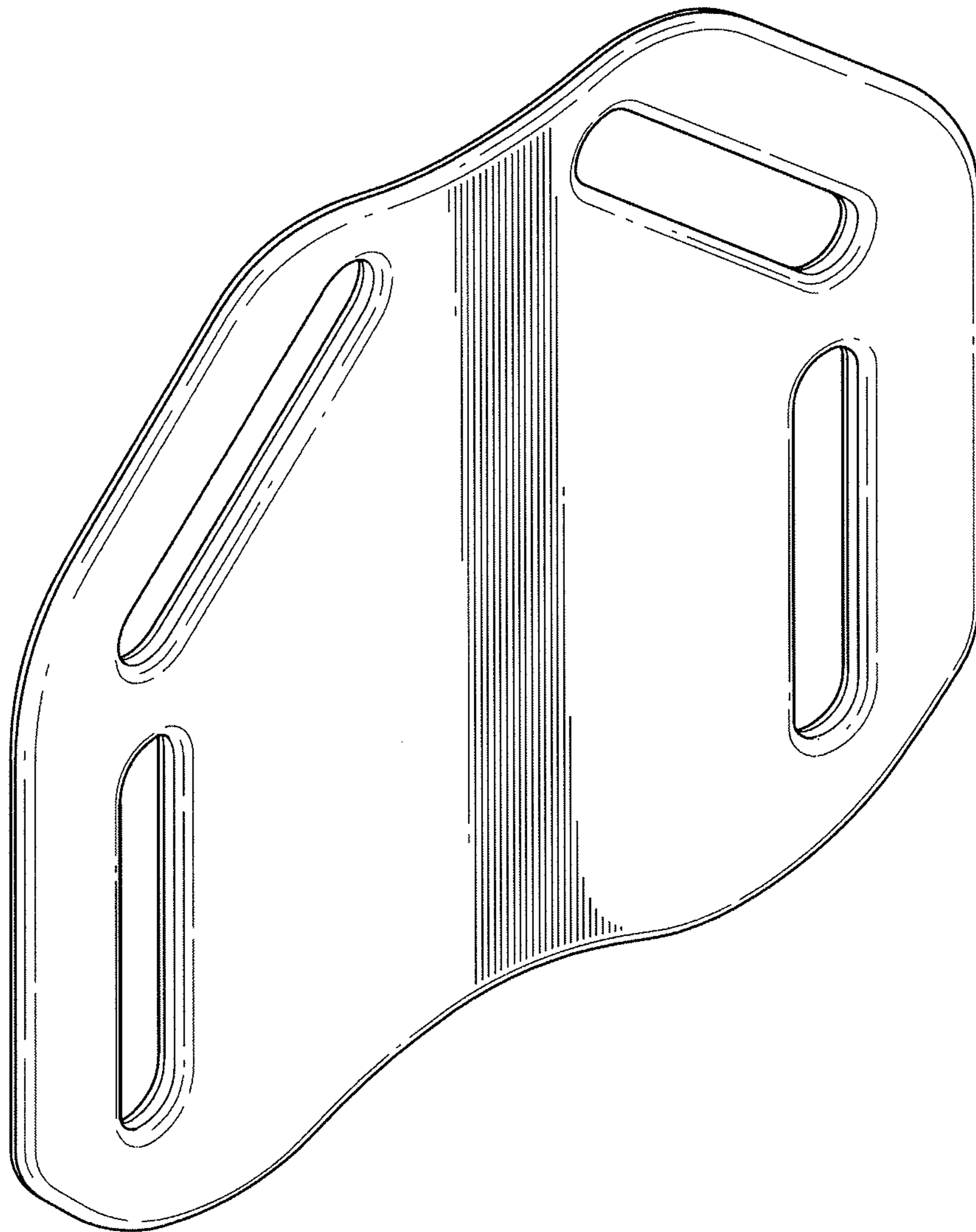


FIG.2

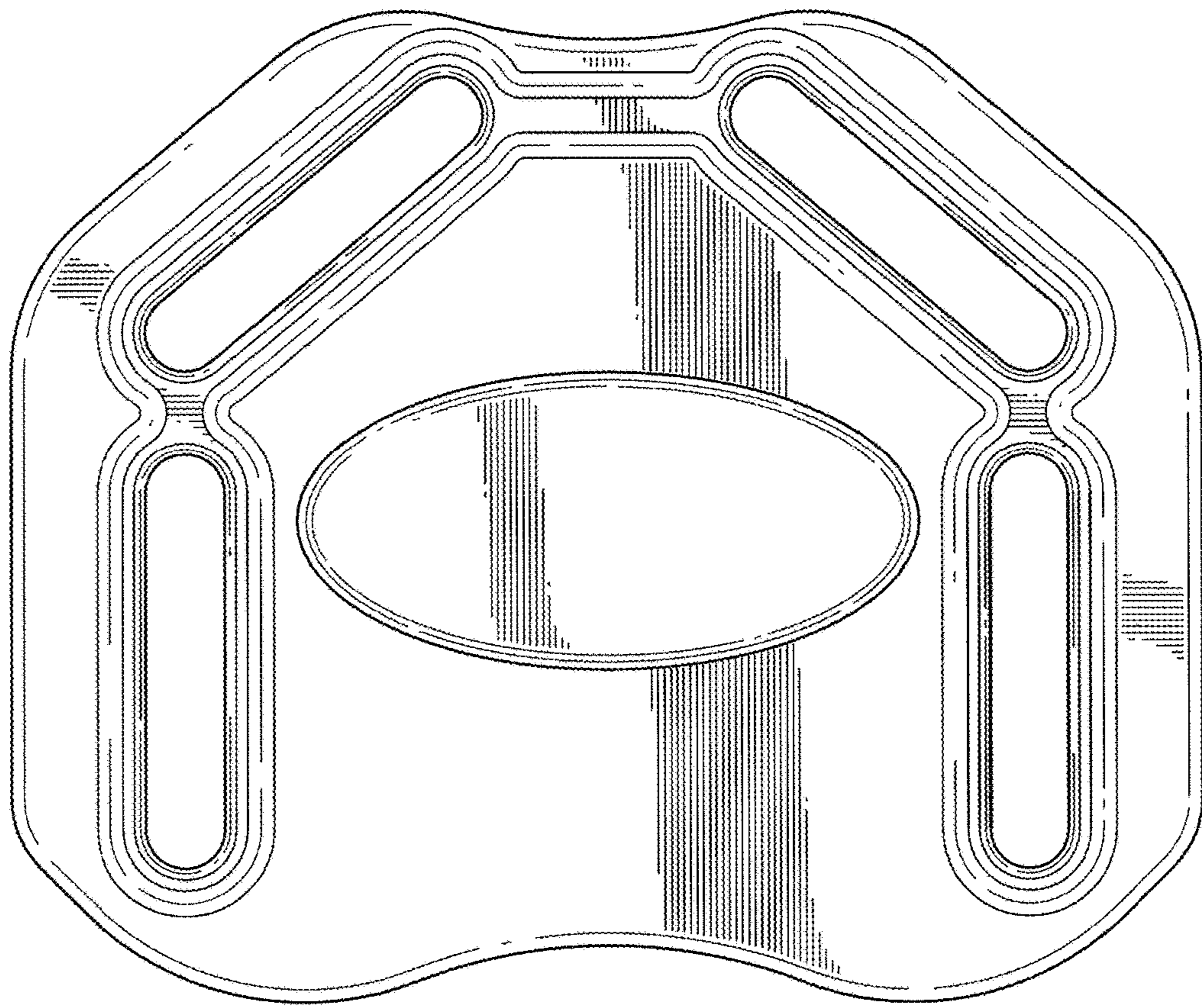


FIG.3

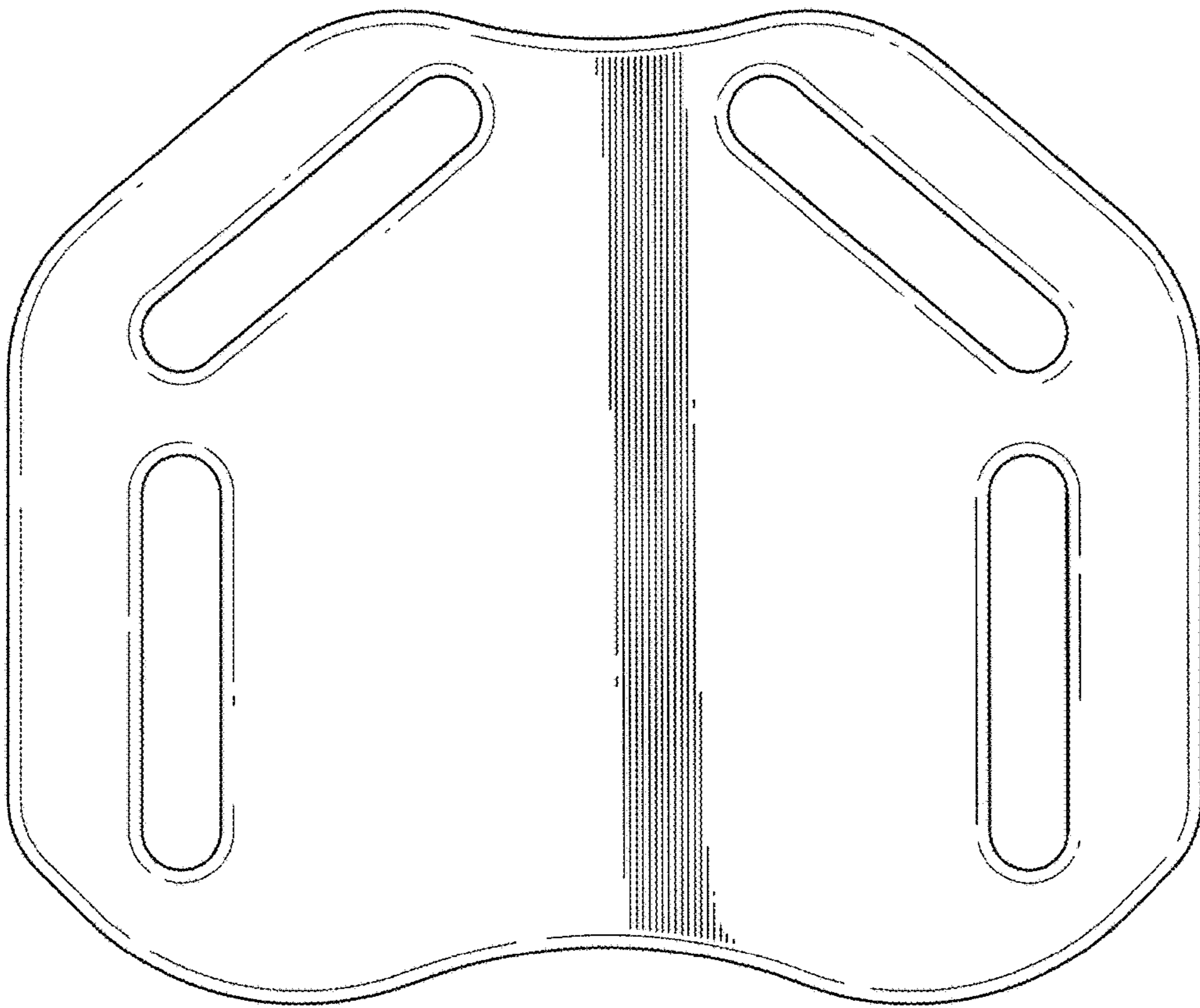


FIG.4



FIG.5



FIG.6

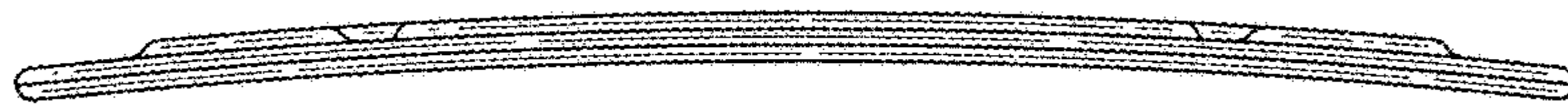


FIG.7