



US00D800969S

(12) **United States Design Patent** (10) **Patent No.:** **US D800,969 S**
Strand (45) **Date of Patent:** **** Oct. 24, 2017**

(54) **ACCESSORY MOUNTING LEDGE FOR ANIMAL ENCLOSURE**

(71) Applicant: **DRAGON STRAND, LLC**, Brea, CA (US)

(72) Inventor: **William A. Strand**, Brea, CA (US)

(73) Assignee: **Dragon Strand LLC**, San Jose, CA (US)

(**) Term: **15 Years**

(21) Appl. No.: **29/547,029**

(22) Filed: **Nov. 30, 2015**

(51) **LOC (10) Cl.** **30-02**

(52) **U.S. Cl.**
USPC **D30/119**

(58) **Field of Classification Search**
USPC D30/108, 109, 113, 114, 115, 116, 117, D30/118, 119, 120; D25/152, 153, 154, D25/155, 156
CPC A01K 1/0356; A01K 3/12
See application file for complete search history.

(56) **References Cited**

U.S. PATENT DOCUMENTS

1,718,432	A *	6/1929	Qualmann	A01K 31/06 119/464
2,624,310	A *	1/1953	Smithson	A01K 31/06 119/468
3,148,479	A *	9/1964	Amato	A01G 9/14 47/40
4,366,774	A *	1/1983	Haake	A01K 31/12 119/452
D286,693	S *	11/1986	Haywood	D30/119
D297,471	S *	8/1988	Carlin	D30/119
D340,339	S *	10/1993	Kean	D12/425
5,456,208	A *	10/1995	Choenchom	A01K 31/06 119/452

(Continued)

OTHER PUBLICATIONS

“Uroplatus Leaf Tailed Geckos in Dragon Strand Cages”. Found online Apr. 11, 2017 at dragonstrand.com. Page dated Jul. 27, 2014. Retrieved from <http://dragonstrand.com/uroplatus-leaf-tailed-geckos-in-dragon-strand-cages/>.*

(Continued)

Primary Examiner — Robert M. Spear

Assistant Examiner — Kendra L Hamilton

(74) *Attorney, Agent, or Firm* — Richard D. Clarke

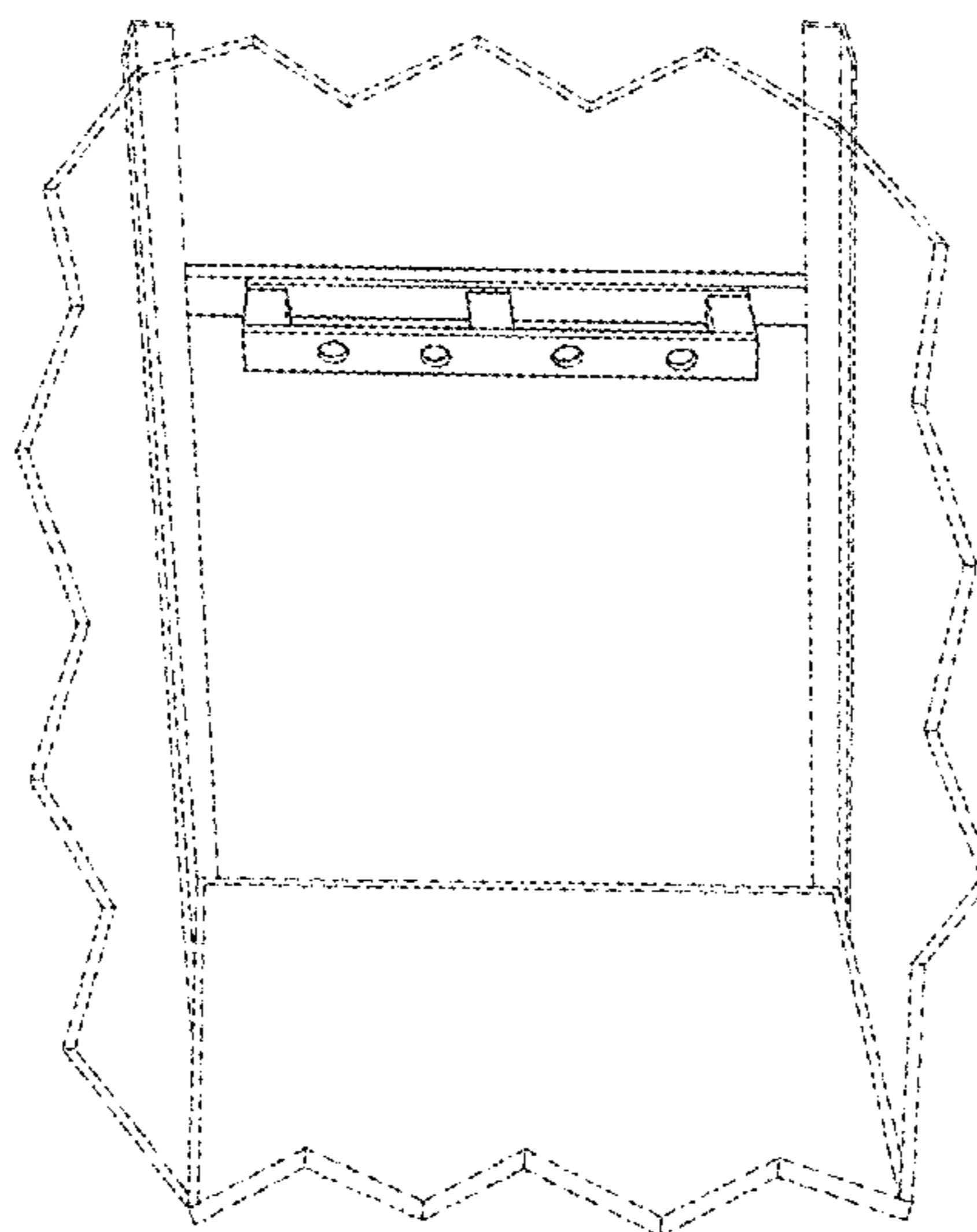
(57) **CLAIM**

I claim the ornamental design for an accessory mounting ledge for animal enclosure, as shown and described.

DESCRIPTION

FIG. 1 is a top-rear perspective view of an accessory mounting ledge for animal enclosure shown in condition of use mounted to the frame of a screened-caged animal enclosure;
FIG. 2 is a top-front perspective view of the accessory mounting ledge for animal enclosure, shown in condition of use, mounted to the frame of a PVC-cage animal enclosure;
FIG. 3 is a rear elevational view of the accessory mounting ledge for animal enclosure, shown in condition for use, mounted to the frame of an animal enclosure;
FIG. 4 is a top-plan view thereof;
FIG. 5 is a front elevational view thereof;
FIG. 6 is a bottom plan view thereof;
FIG. 7 is a left side elevational view thereof, shown separated from the frame for clarity of disclosure; and,
FIG. 8 is a right side elevational view thereof, shown separated from the frame for clarity of disclosure.
The broken lines in FIGS. 1, 2, 3, 4, 5 and 6 of the drawings show unclaimed environment only and form no part of the claimed design.

1 Claim, 3 Drawing Sheets



(56)

References Cited

U.S. PATENT DOCUMENTS

5,469,807 A * 11/1995 Kosmaczeska A01K 1/035
119/484
D383,877 S * 9/1997 Doornbos D30/119
D566,343 S * 4/2008 Osada D30/108
8,196,548 B2 * 6/2012 Hendel A01K 31/18
119/311
D685,140 S * 6/2013 Rosenstein D30/119

OTHER PUBLICATIONS

“Dragon Strang Naturalistic Vivaria at San Diego Show”. Found online Apr. 11, 2017 at [chameleonforums.com](https://www.chameleonforums.com). Page dated Jul. 14, 2014. Retrieved from <https://www.chameleonforums.com/threads/dragon-strand-naturalistic-vivaria-at-san-diego-show.131639/>.*

“Coop Cup w/Bolt Clamp”. Found online Apr. 6, 2017 at [amazon.com](https://www.amazon.com). Page dated Aug. 13, 2007. Retrieved from https://www.amazon.com/Coop-Cup-Bolt-Clamp-30oz/dp/B0050IANS6/ref=cm_cr_ar_p_d_product_top?ie=UTF8.*

“The Original Moa Teak Wall Shelf with Hooks”. Found online Apr. 6, 2017 at [amazon.com](https://www.amazon.com). Page dated Nov. 27, 2012. Retrieved from https://www.amazon.com/Original-Teak-Wall-Shelf-Hooks/dp/B004YR0G9K/ref=cm_cr_ar_p_d_product_top?ie=UTF8.*

* cited by examiner

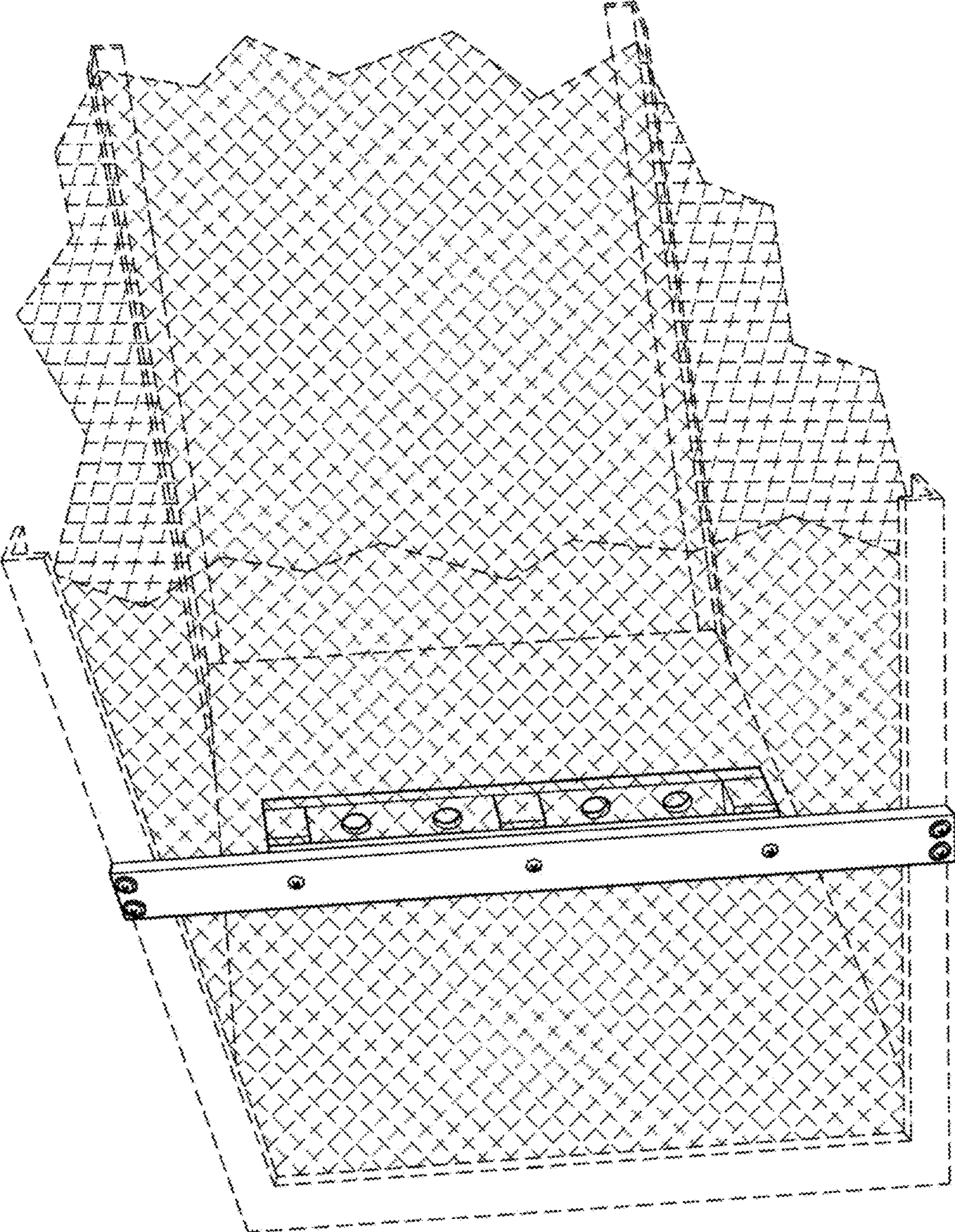


FIG. 1

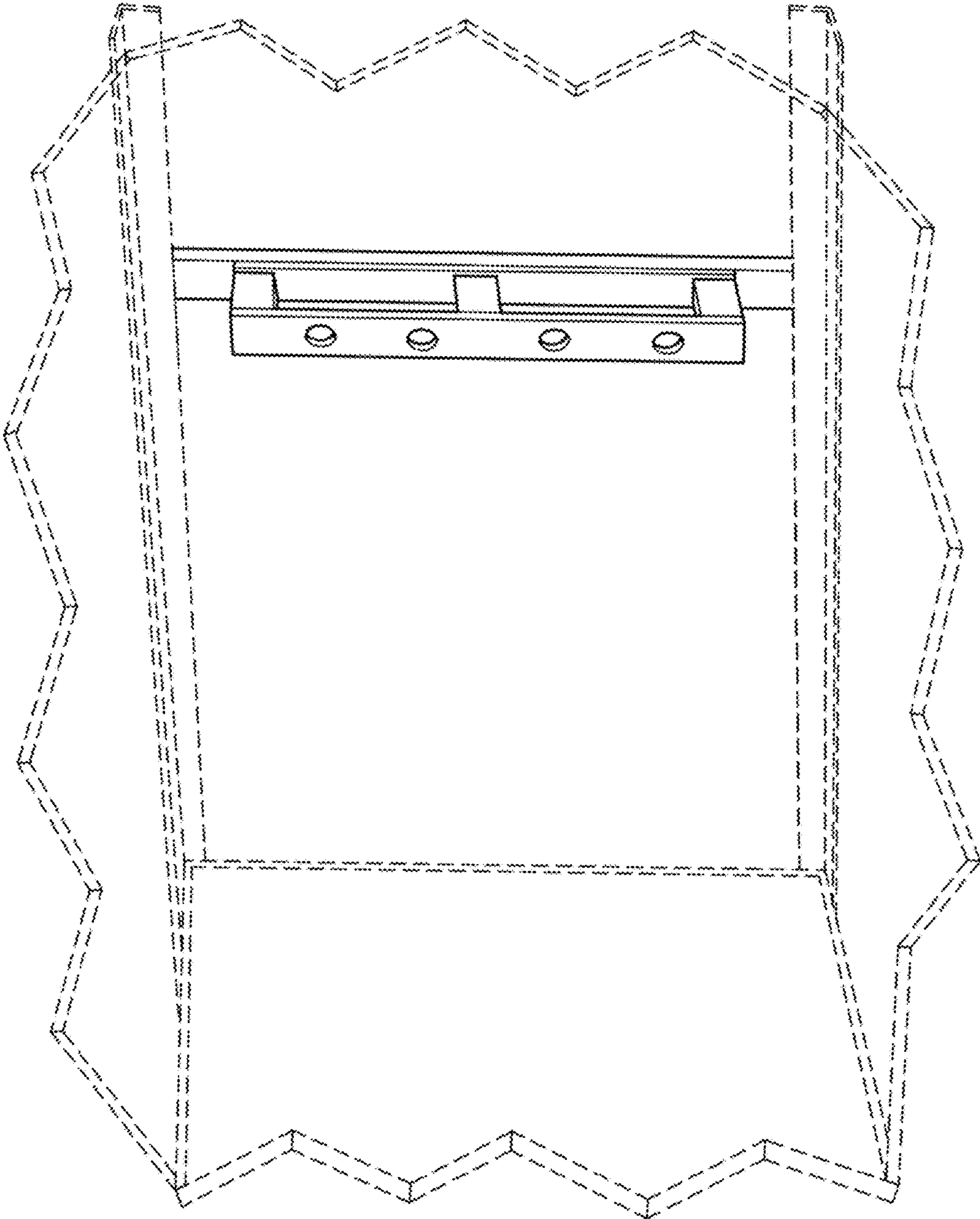


FIG. 2

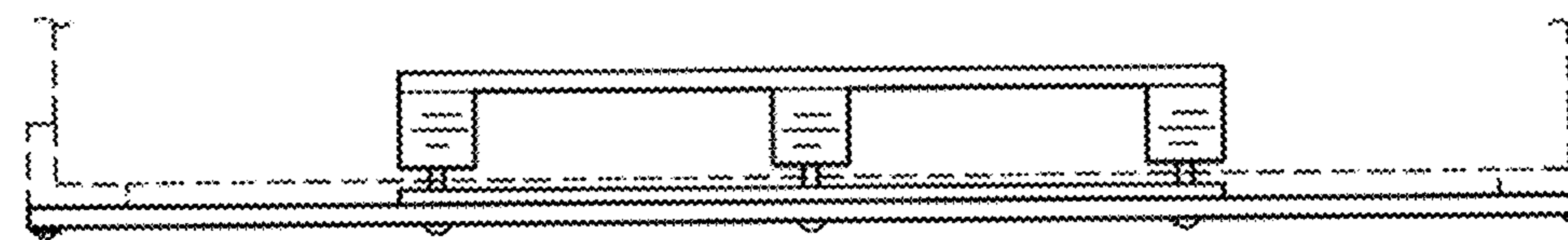
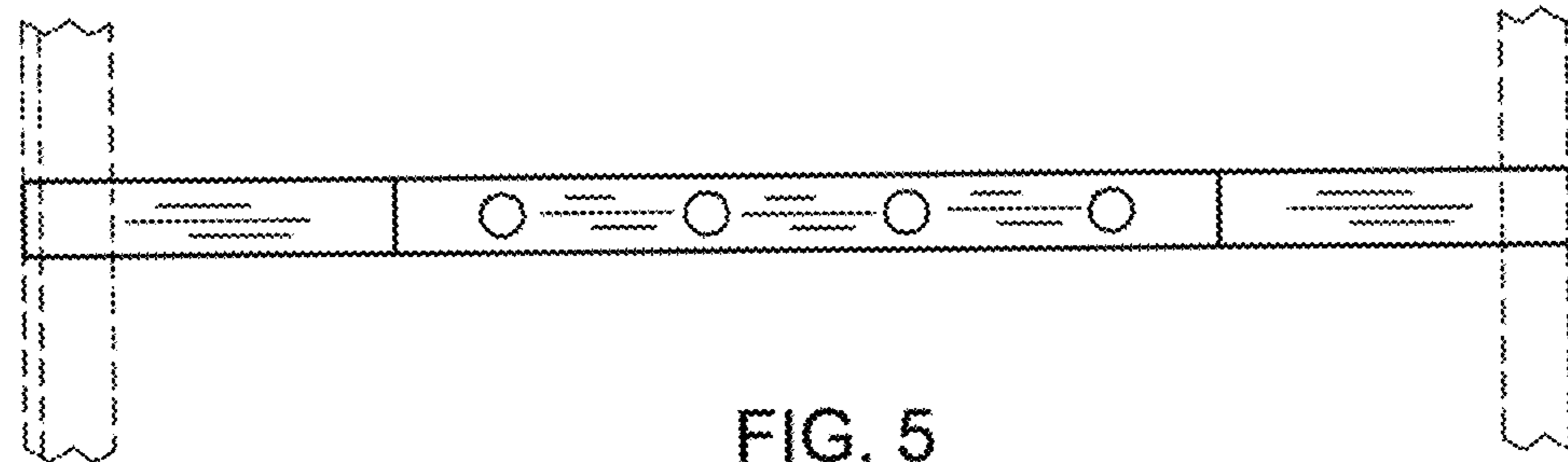
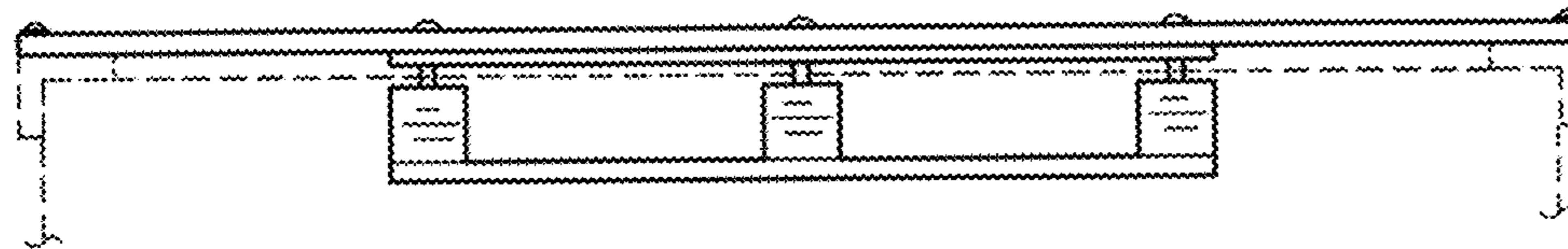
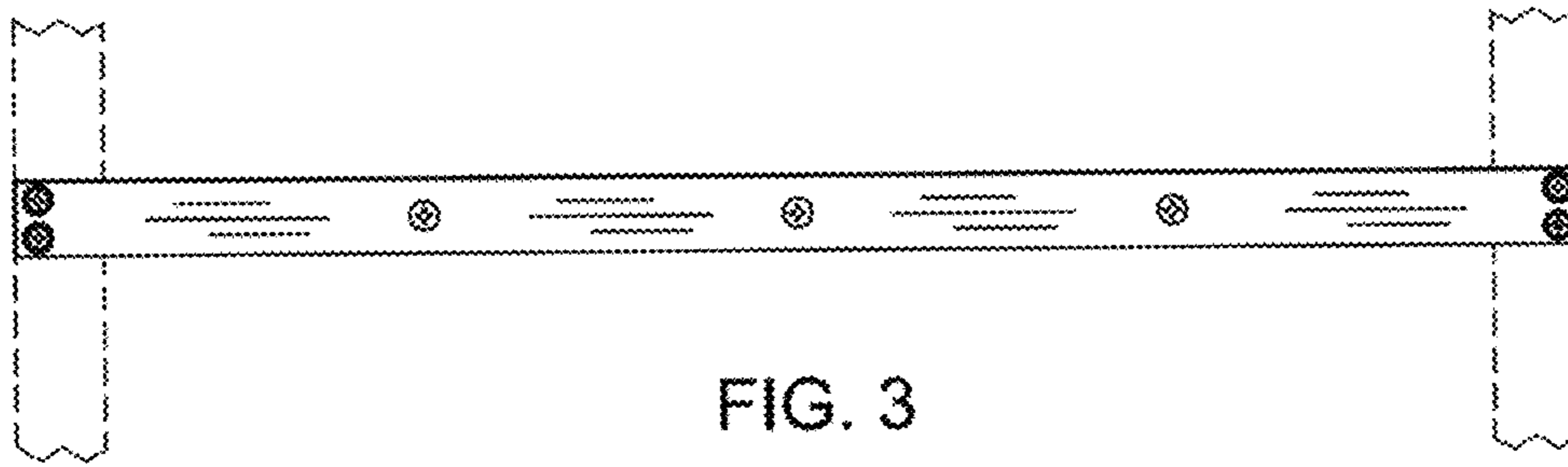


FIG. 6

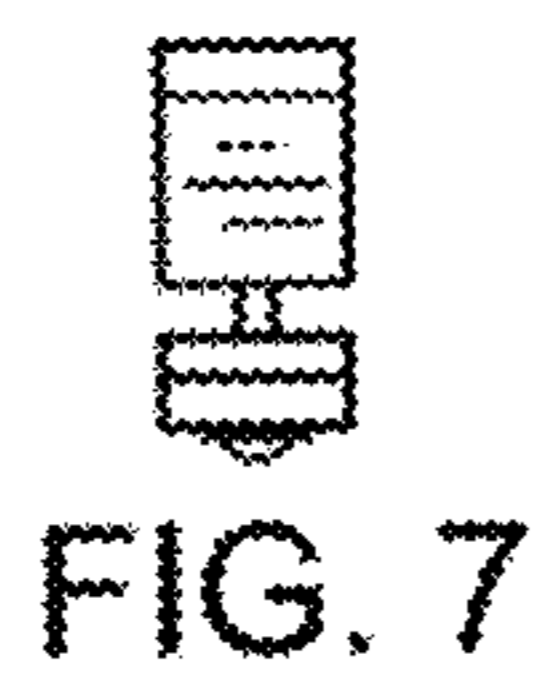


FIG. 7



FIG. 8