



US00D800968S

(12) **United States Design Patent**  
**Hansen**

(10) **Patent No.:** **US D800,968 S**

(45) **Date of Patent:** **\*\* Oct. 24, 2017**

(54) **FALSE EYELASH SUPPORT**

(71) Applicant: **Hal J Hansen**, Toms River, NJ (US)

(72) Inventor: **Hal J Hansen**, Toms River, NJ (US)

(\*\*) Term: **15 Years**

(21) Appl. No.: **29/571,700**

(22) Filed: **Jul. 20, 2016**

(51) **LOC (10) Cl.** ..... **28-04**

(52) **U.S. Cl.**

USPC ..... **D28/93**

(58) **Field of Classification Search**

USPC ..... D28/93, 9, 73, 76, 92, 99, 10, 36;  
132/212, 216-218

CPC ..... A41G 5/02; A45D 44/00; A45D 34/00;  
A45D 2034/002

See application file for complete search history.

(56) **References Cited**

**U.S. PATENT DOCUMENTS**

- 5,052,417 A \* 10/1991 Cordova ..... A45D 44/00  
132/216
- 6,230,715 B1 \* 5/2001 Cho ..... A45D 2/48  
132/216
- D764,707 S \* 8/2016 Goodman ..... D28/38
- 9,622,527 B2 \* 4/2017 Nguyen ..... A41G 5/02
- 2004/0237991 A1 \* 12/2004 Glucksman ..... A45D 2/00  
132/271
- 2009/0217939 A1 \* 9/2009 Rabe ..... A41G 5/02  
132/218

- 2012/0097181 A1 \* 4/2012 Miles ..... A45D 2/48  
132/217
- 2014/0332025 A1 \* 11/2014 Kim ..... B29C 45/0001  
132/201
- 2015/0201692 A1 \* 7/2015 Hansen ..... A41G 5/02  
132/201
- 2016/0183655 A1 \* 6/2016 Dozer ..... A45D 2/48  
132/217
- 2016/0324242 A1 \* 11/2016 Hansen ..... A41G 5/02
- 2016/0353861 A1 \* 12/2016 Carey ..... A45D 44/00

\* cited by examiner

*Primary Examiner* — Manpreet Matharu

*Assistant Examiner* — Rebecca Tsehaye

(74) *Attorney, Agent, or Firm* — Franklin & Associates  
International Inc; Matthew F. Lambrinos

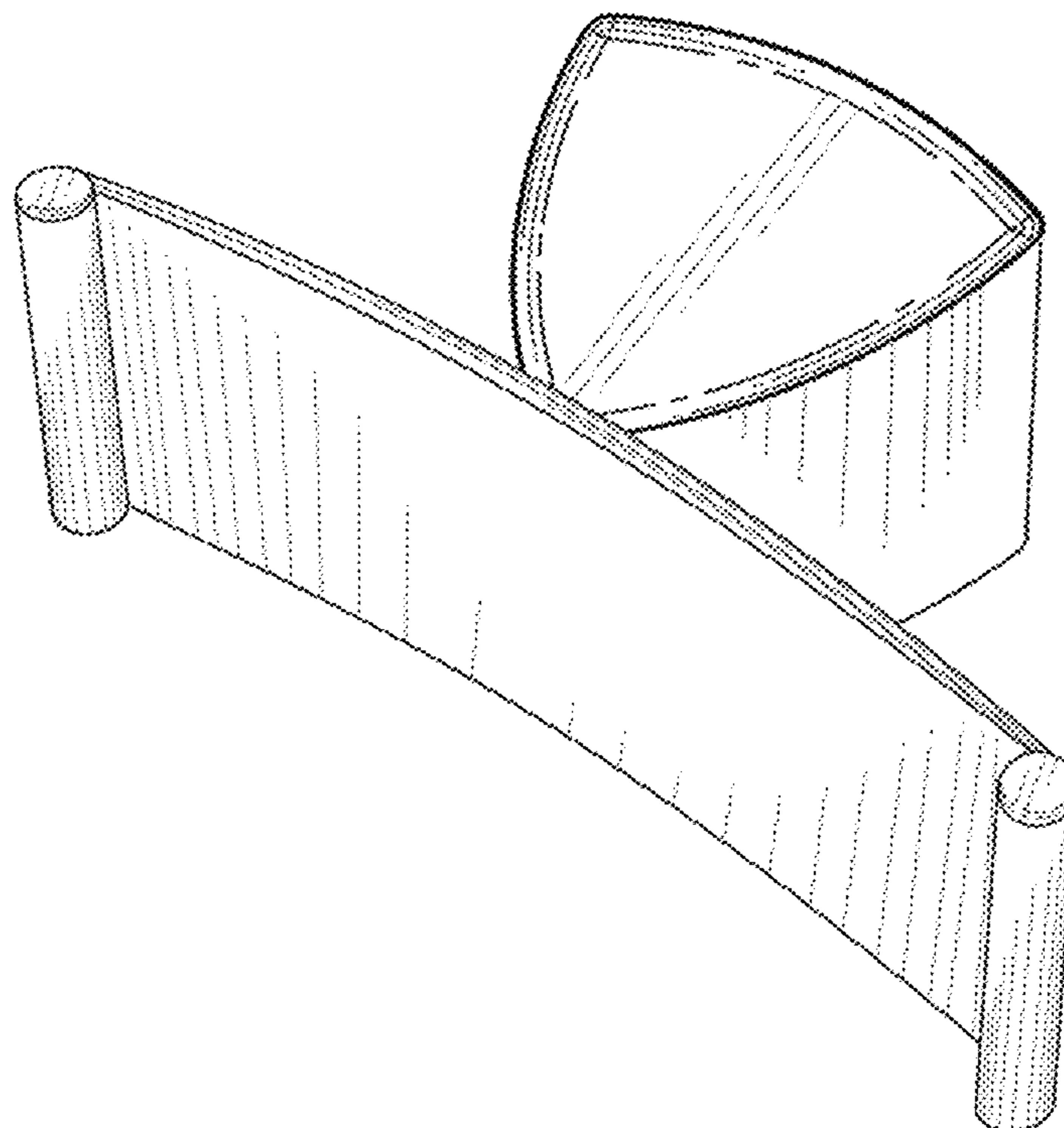
(57) **CLAIM**

The ornamental design for a false eyelash support, as shown and described.

**DESCRIPTION**

FIG. 1 is a front perspective from above of a false eyelash support showing my new design;  
 FIG. 2 is a front view of the false eyelash support;  
 FIG. 3 is a right side view of the false eyelash support;  
 FIG. 4 is a left side view of the false eyelash support;  
 FIG. 5 is a rear view of the false eyelash support;  
 FIG. 6 is a top view of the false eyelash support;  
 FIG. 7 is a bottom view of the false eyelash support; and,  
 FIG. 8 is a rear perspective view from below of the false eyelash support.

**1 Claim, 7 Drawing Sheets**



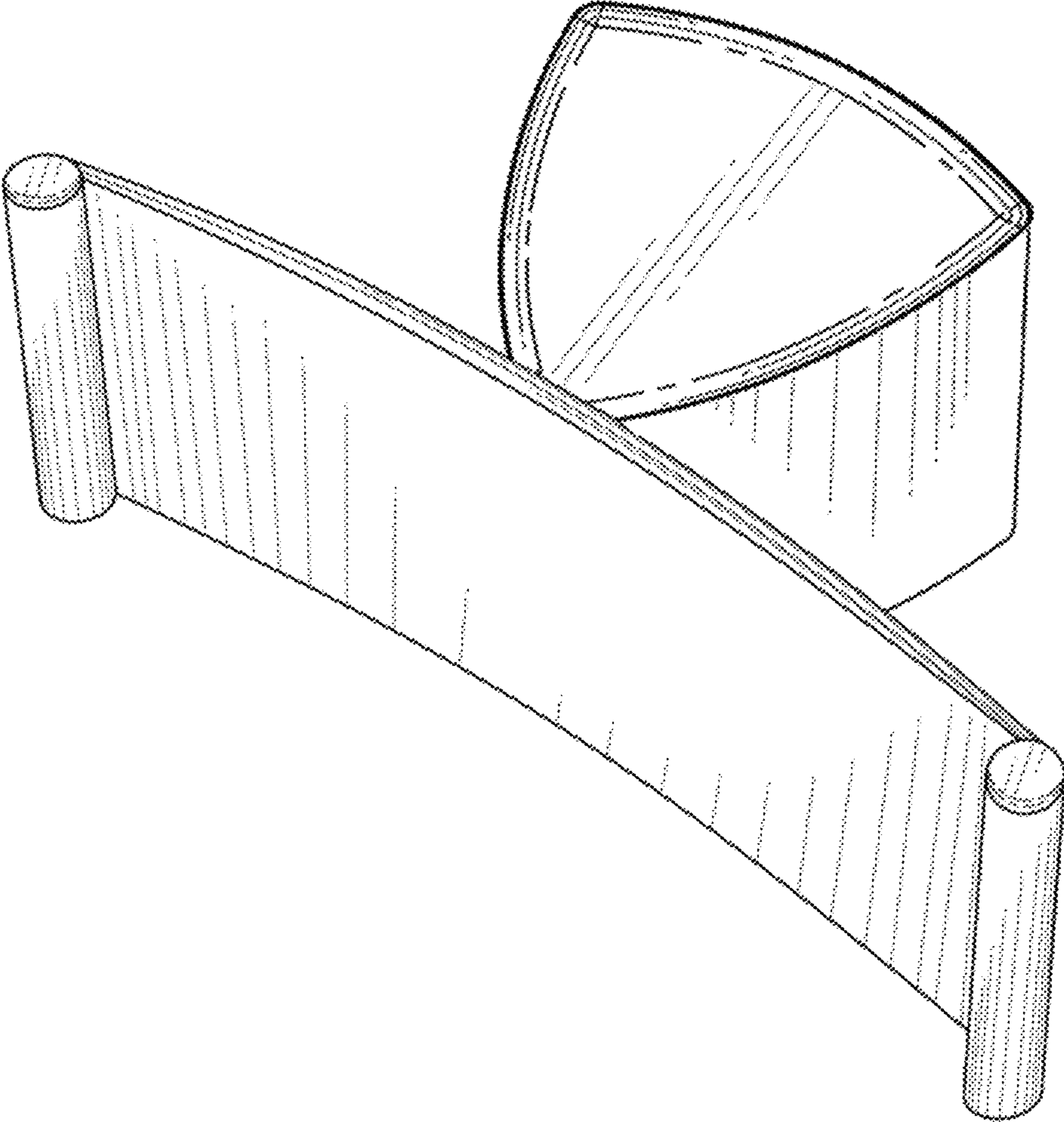


FIG. 1

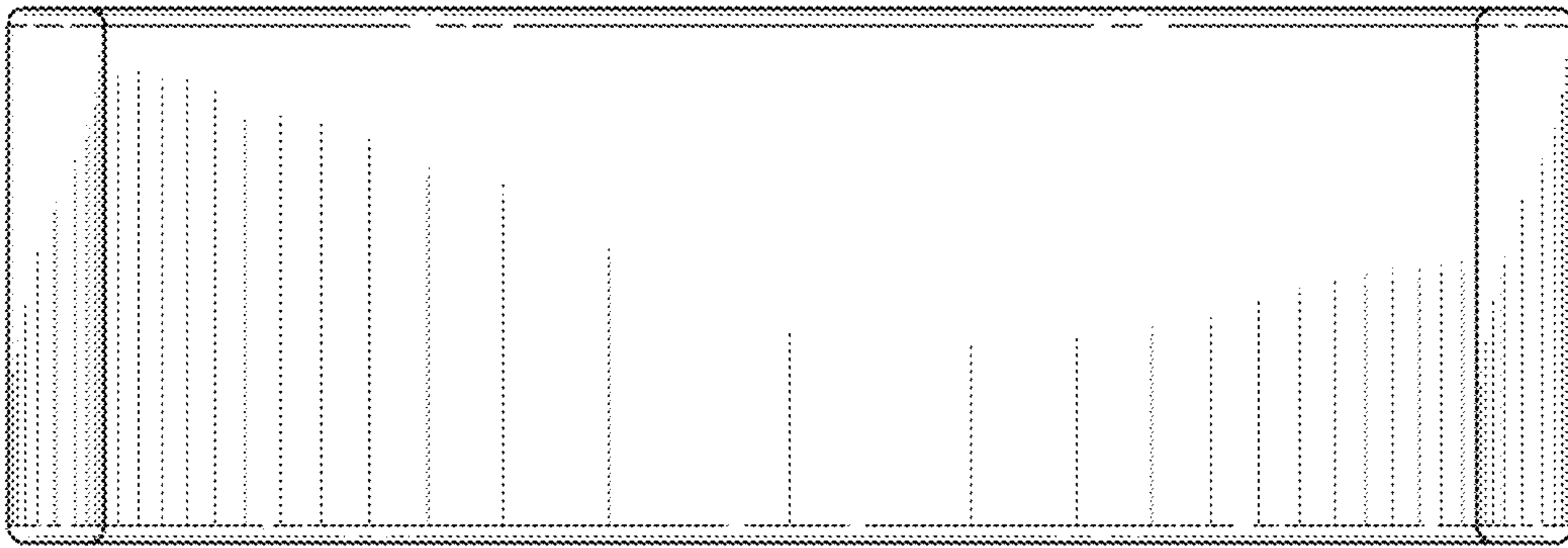


FIG. 2

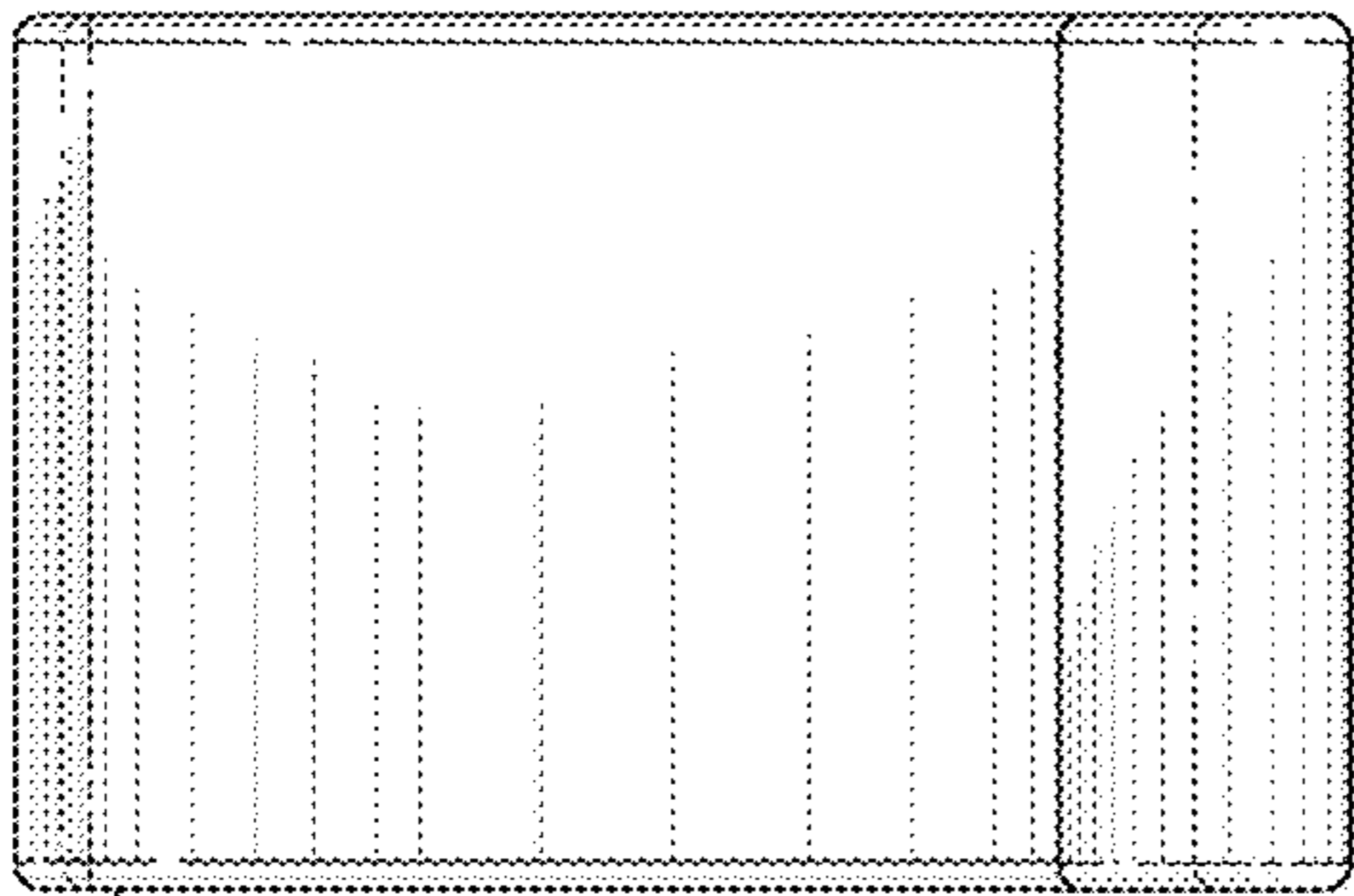


FIG. 3

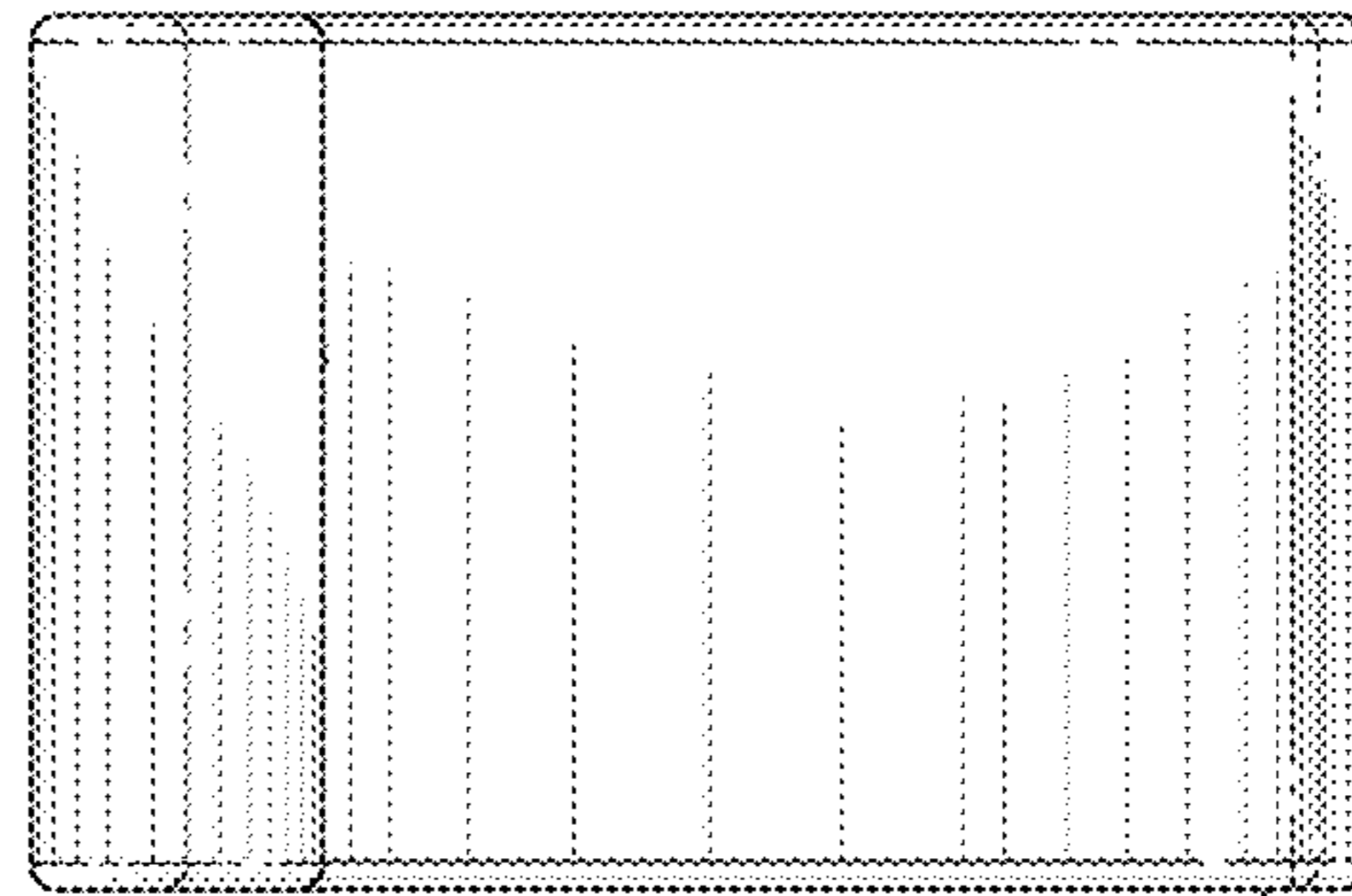
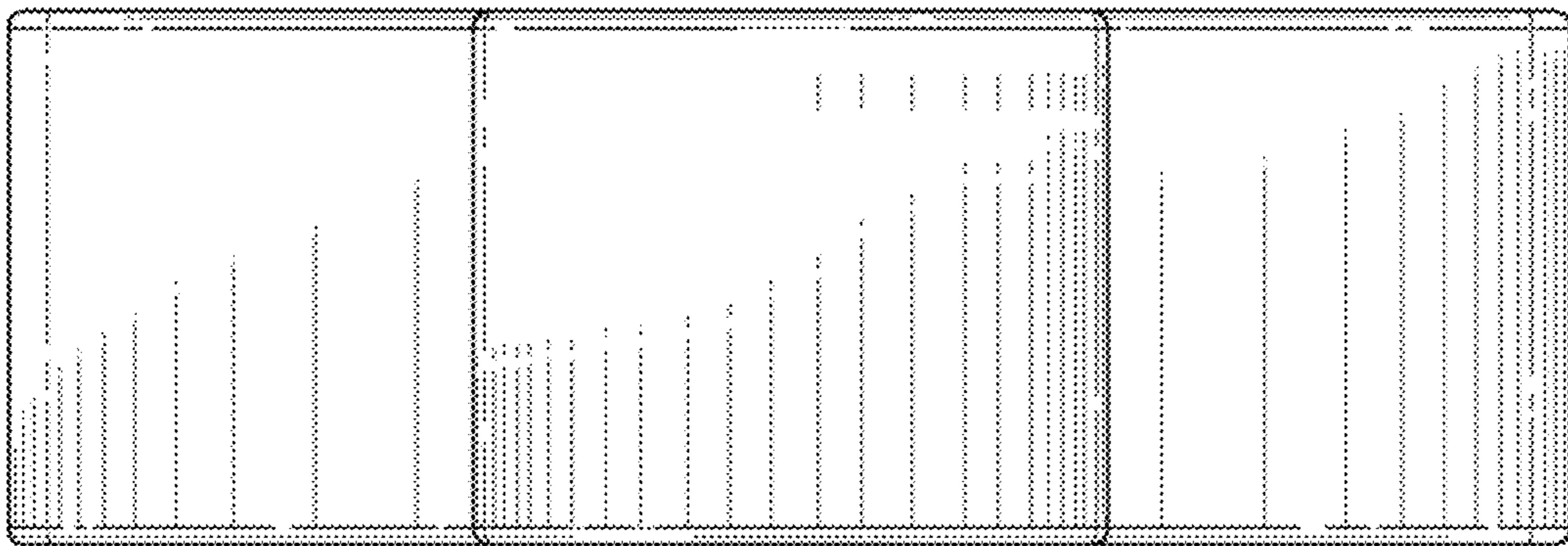


FIG. 4



**FIG. 5**



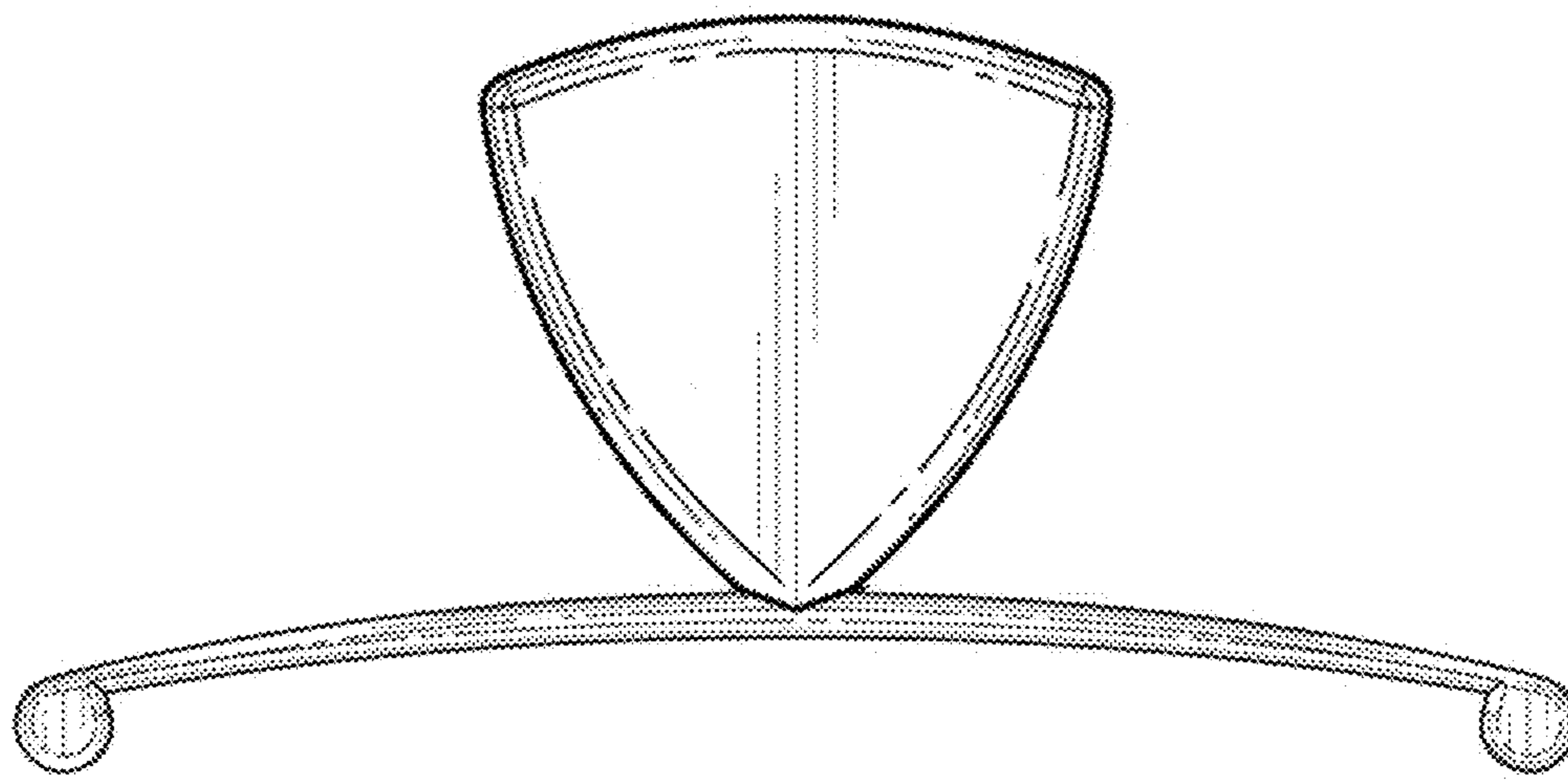


FIG. 6

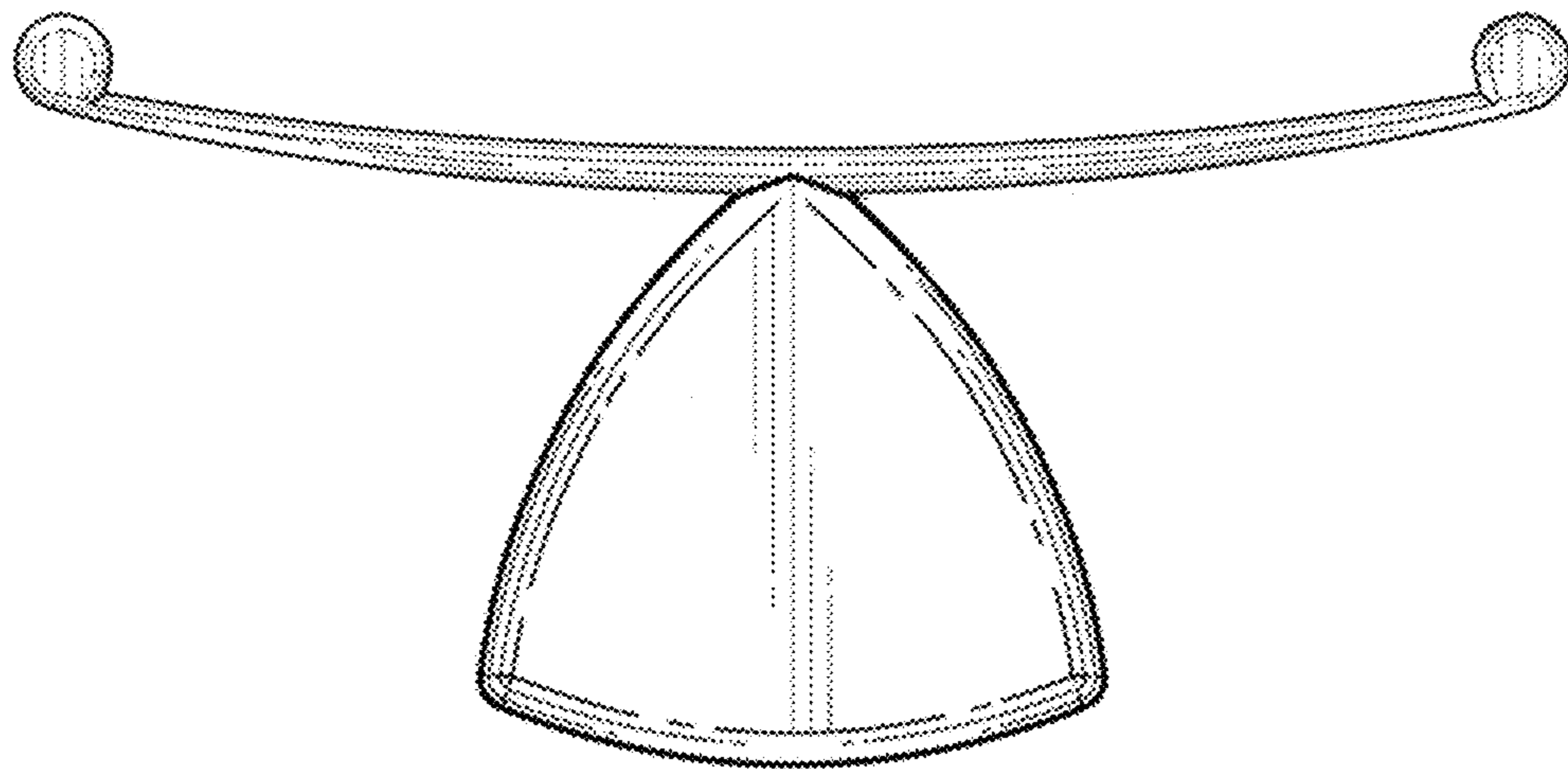


FIG. 7

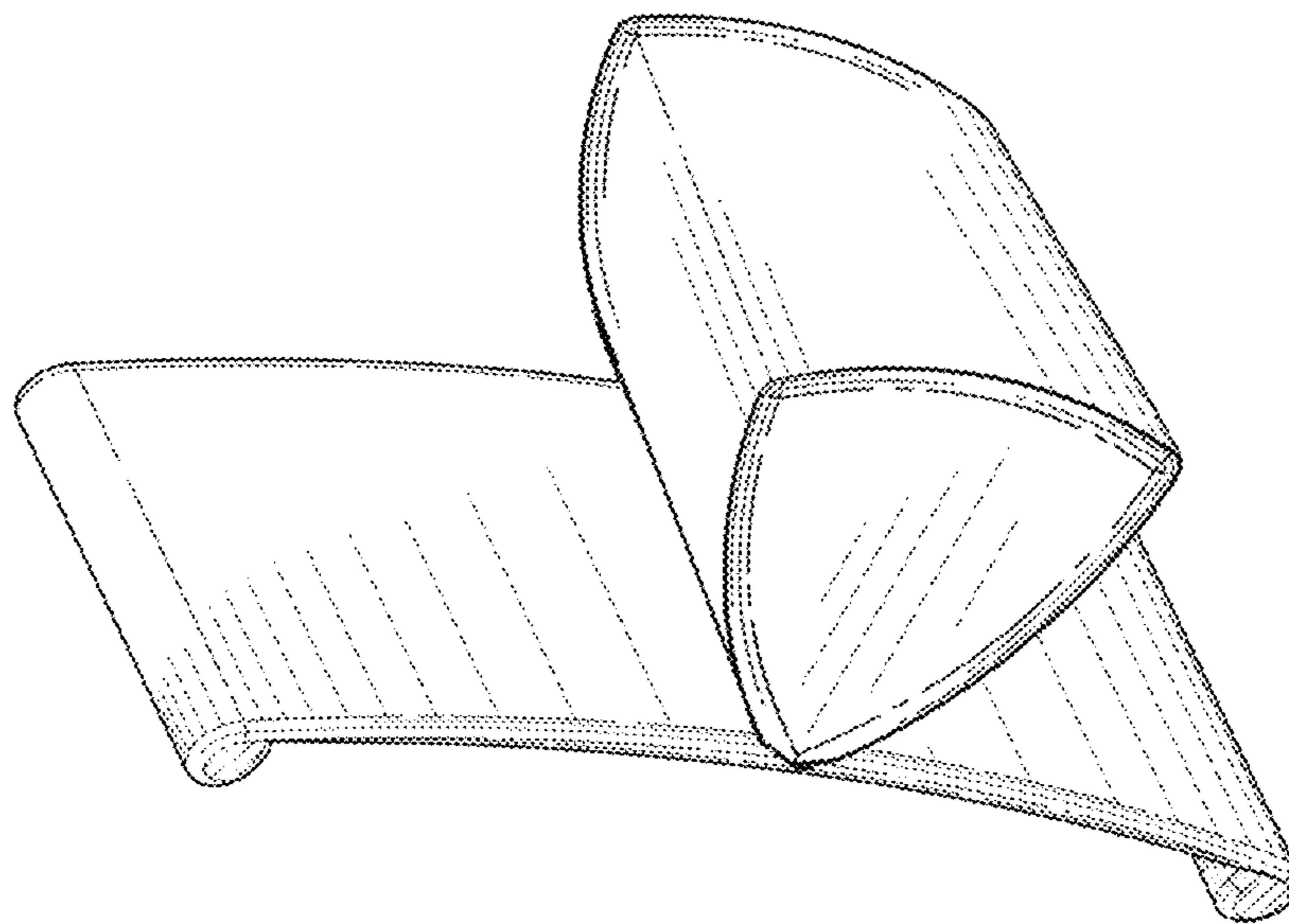


FIG. 8